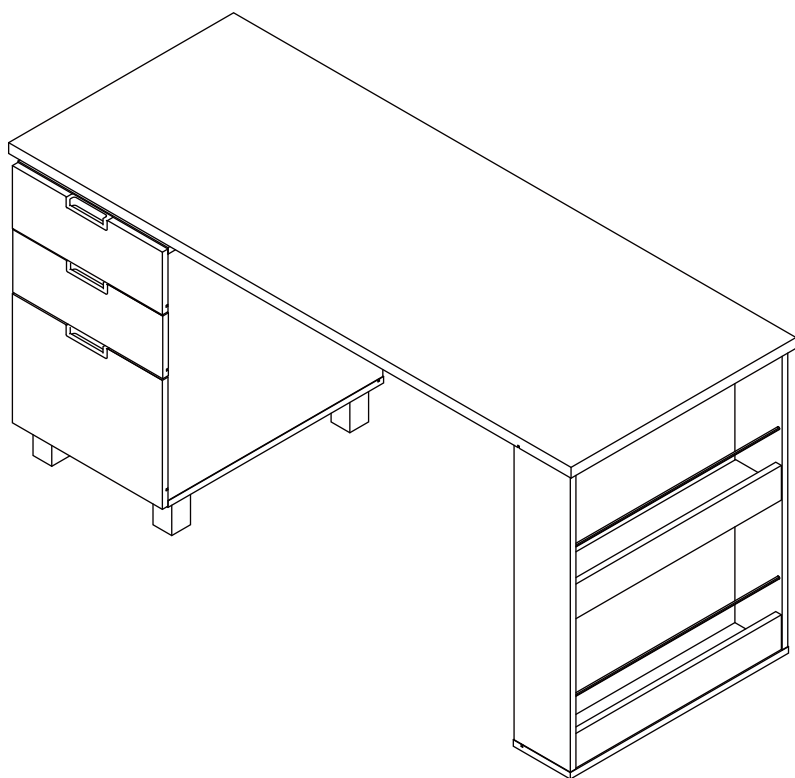


ASSEMBLY INSTRUCTIONS



TOOLS REQUIRED



**Phillips
Screwdriver**

(Not Included)



**2 - Persons
Recommended**

ASSEMBLY RATING



EASY —————> DIFFICULT

The Assembly Rating is a 5-point system showing the level of effort needed to assemble a specific product.

Thank you for your purchase!

We hope you enjoy this new addition to your home for many years to come. Our commitment to providing quality products does not simply end when you purchase our product. We fully stand behind our products from start to finish.



CHECK BEFORE STARTING

Are you missing anything?

Double-check all parts, hardware and accessories listed on Page 6 are accounted for.

Check out our Quick Tips!

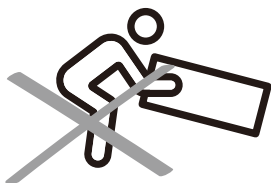
We recommend reviewing the pre-assembly handouts. Even experts need a refresher now and then!

Prep Time!

Please review the assembly instructions and all diagrams prior to assembling. Arrange parts as recommended on Page 7 and group identical hardware together to make assembling easier.

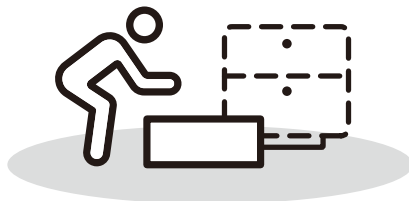
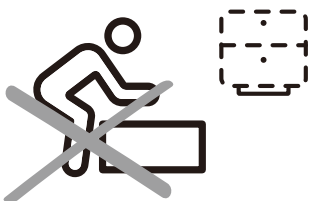
PRE ASSEMBLY INTRODUCTION

We understand building ready-to-assemble furniture can be a challenging experience for some. To help avoid confusion, we have provided some helpful tips that may speed up the process.



Teamwork

ALWAYS have at least two people to help with transporting and assembling the product to avoid potential injury and/or damage.



Suitable Location

Assembling near the area of the intended location is highly recommended.



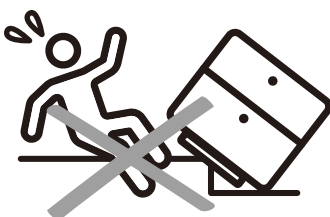
Sufficient Space

Make sure you have enough space to move around during the assembly.



Avoid Scratches

Use cardboard, blankets or a carpeted area while assembling furniture to prevent scratches.



Flat Surface

Make sure the furniture rests on a flat and level surface with each leg evenly touching the floor.

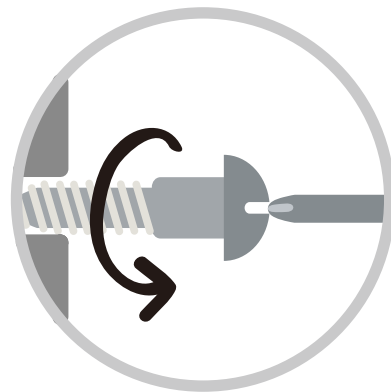
ASSEMBLY AND CARE ADVICE



**FAILURE TO FOLLOW THE GUIDELINES BELOW MAY
RESULT IN INJURY AND/OR PROPERTY DAMAGE.**



Position each part correctly
and insert screws or bolts into
their respective holes.



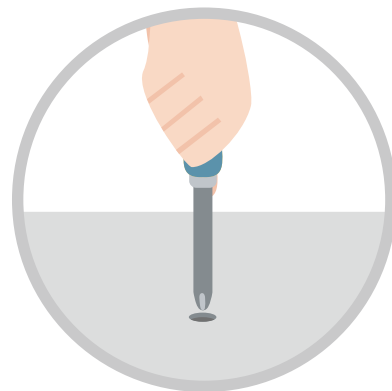
Turn clockwise to tighten and
only tighten when step is
completed or when instructed
to do so.



Use the appropriate hand tools
or power tools for assembly.
Select steps, such as tightening
screws and/or bolts, may require
hand tools to avoid causing
damage during assembly.



Save the instructions and store
any supplied tools for later
maintenance.



After two weeks, check and
tighten any loose hardware and
repeat again every six months
thereafter.

IT IS THE USER'S RESPONSIBILITY TO MAINTAIN THE FURNITURE. THE HARDWARE MAY LOOSEN OVER TIME AND MAY CAUSE THE FURNITURE TO BE WOBBLY AND UNABLE TO SUPPORT ITS INTENDED WEIGHT CAPACITY. THIS MAY LEAD TO COLLAPSE AND MAY CAUSE SERIOUS INJURY.

CAM LOCK FASTENER ASSEMBLY INSTRUCTIONS

Note :

Every cam lock bolt must have a cam lock connector in order to fasten the parts together.



cam bolt



cam lock



screwdriver



1

Screw the cam bolt into panel.



2

Insert the cam bolt into the bolt hole of joint panel.



3

Align the cam lock with its side opening (or arrow) pointing to cam bolt.



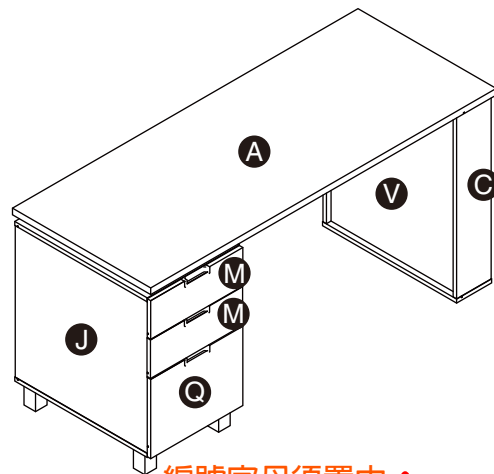
4

Turn the cam lock clockwise gently until it will not turn any more.

DESK

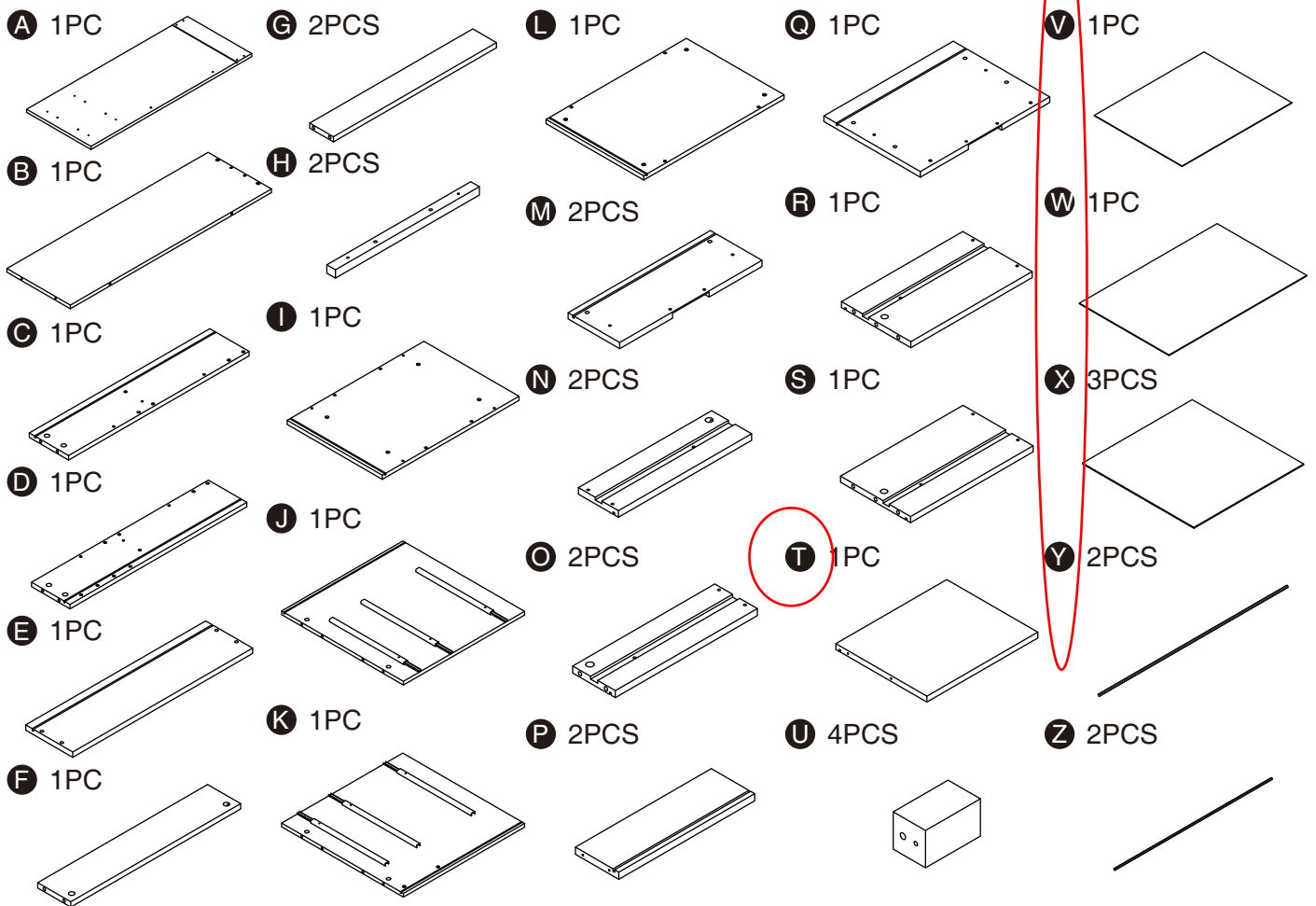


- Please keep instructions for future reference.
- Check the quantity and irregularity of parts and hardware before you start.

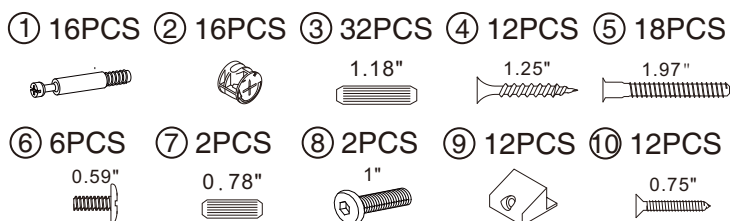


編號字母須置中

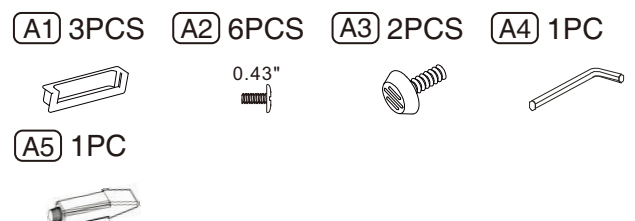
PARTS



HARDWARE

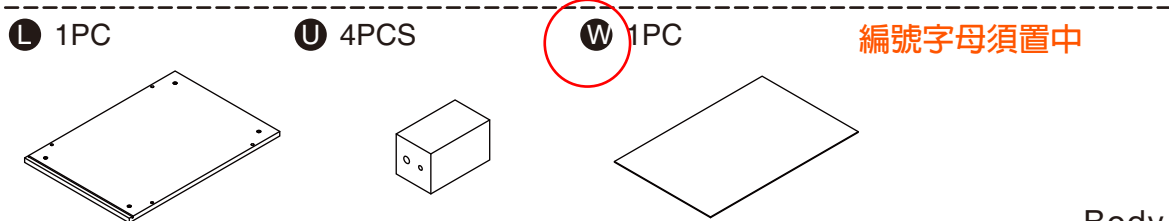
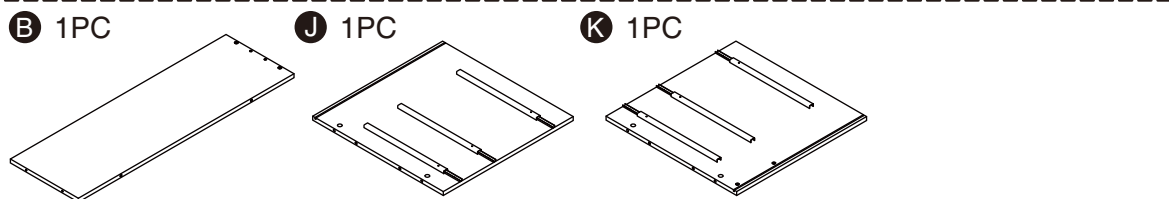
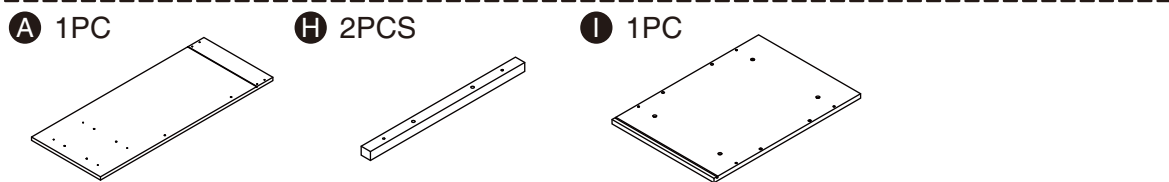
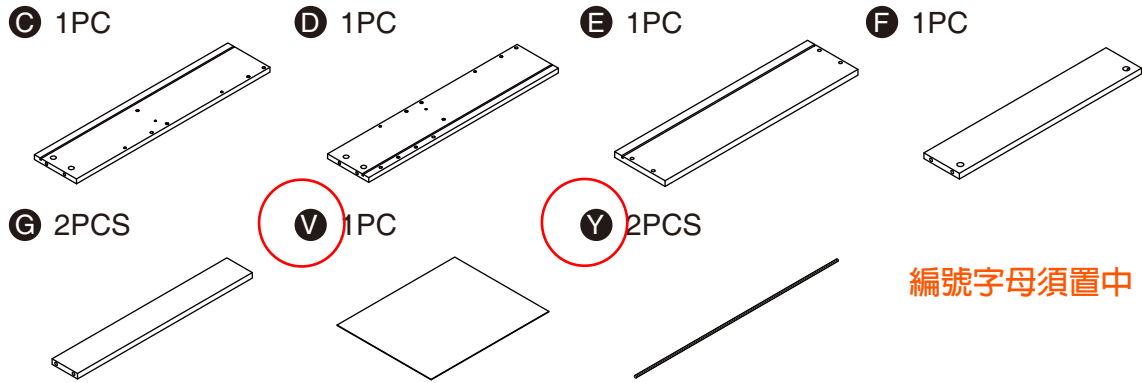


ACCESSORIES

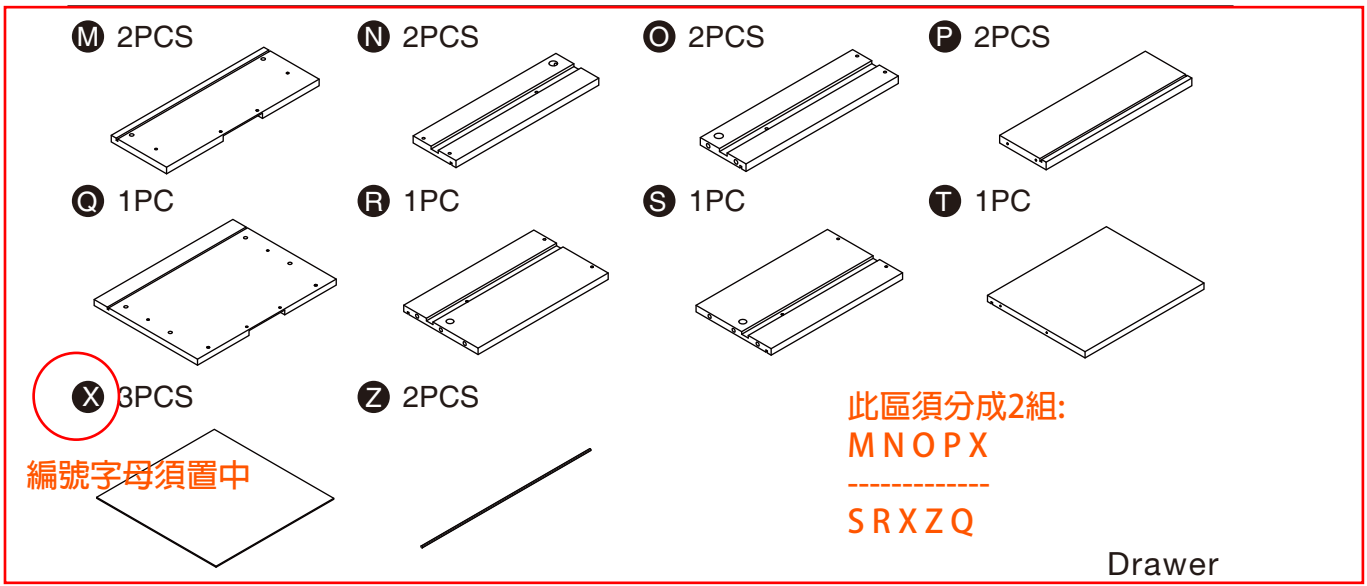


GET READY

Please group boards as below.



Body

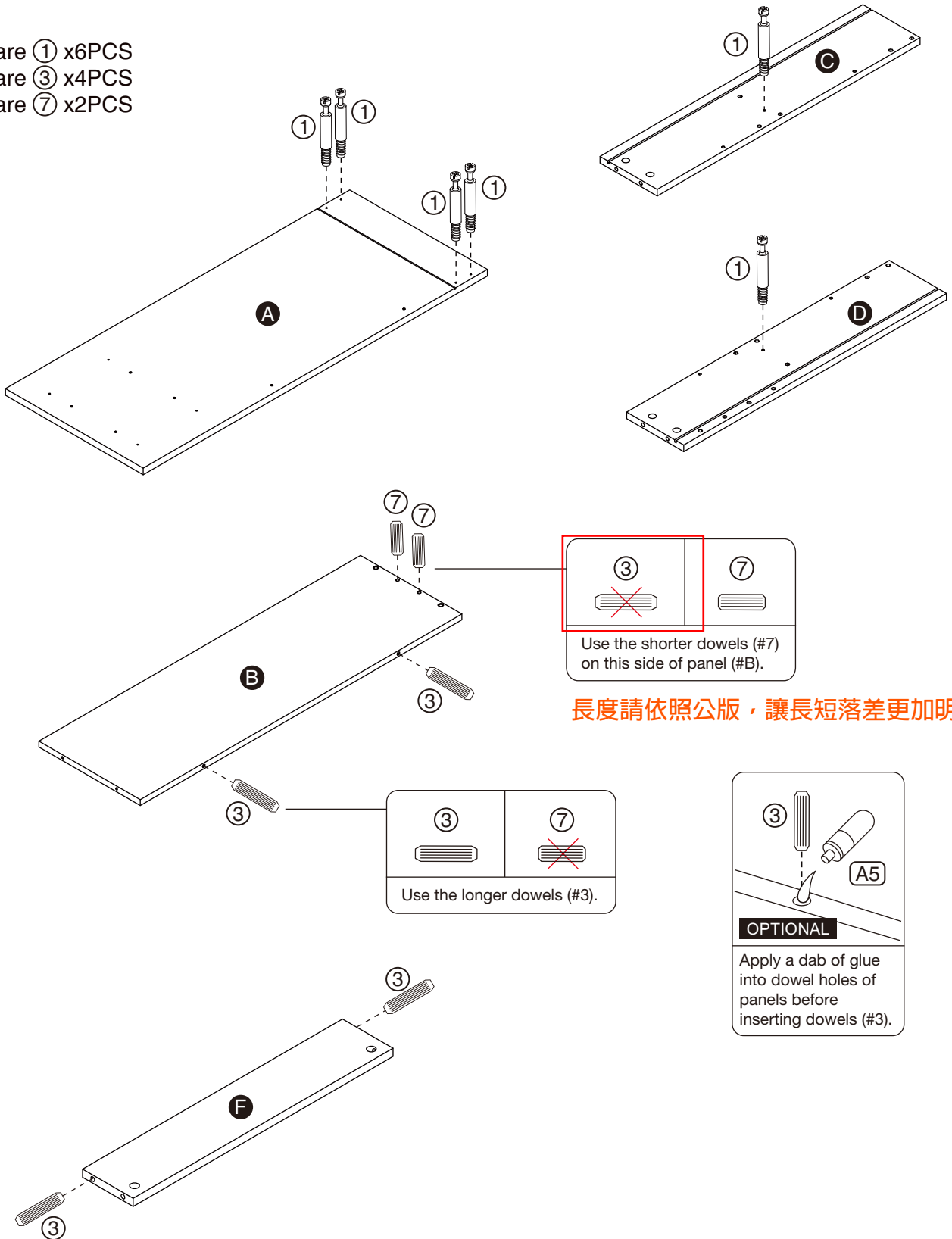


Drawer

ASSEMBLY INSTRUCTIONS

1

- Hardware ① x6PCS
- Hardware ③ x4PCS
- Hardware ⑦ x2PCS

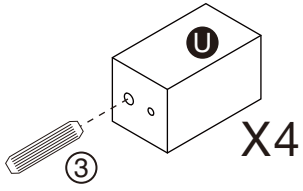
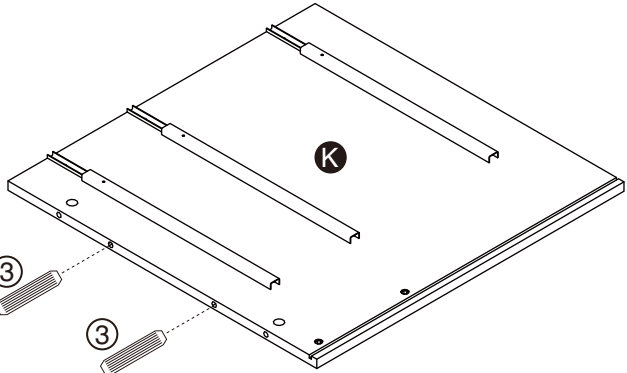
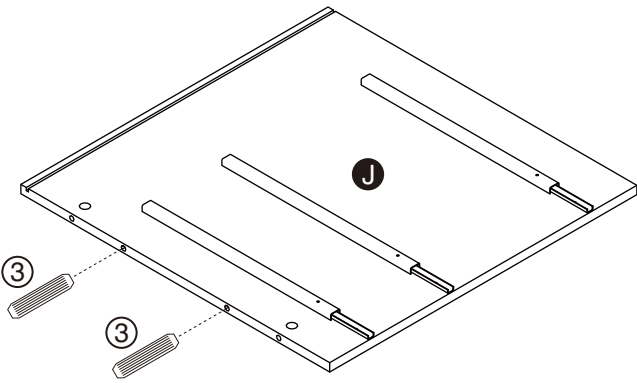
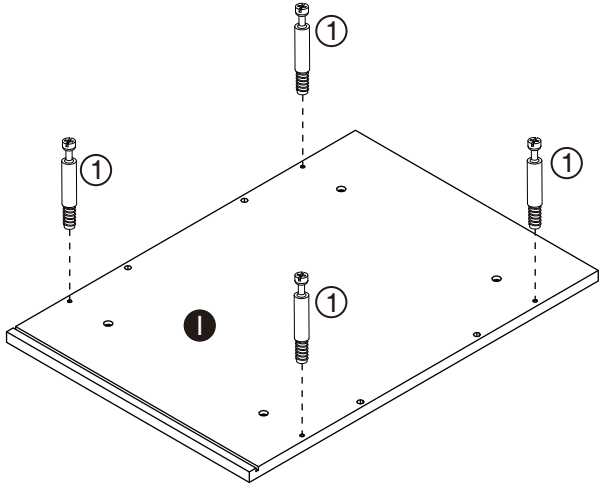
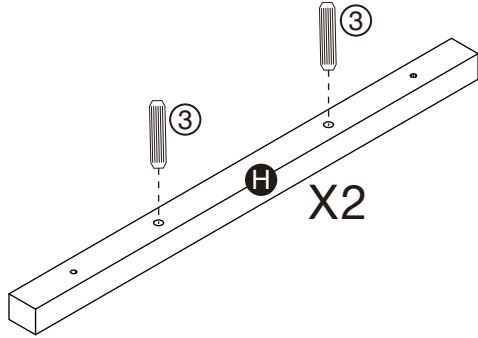
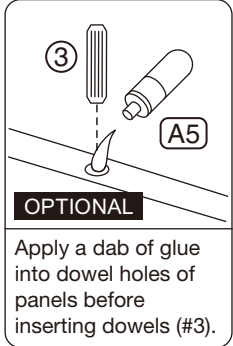
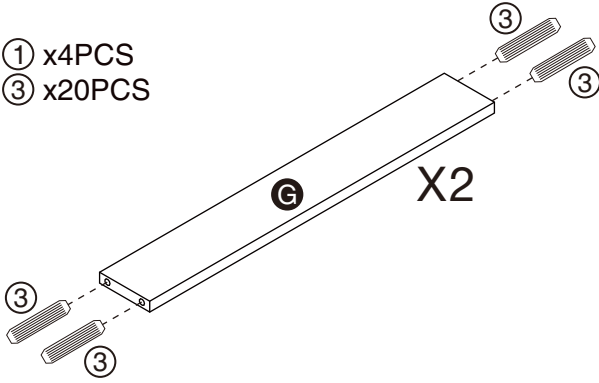


長度請依照公版，讓長短落差更加明顯

ASSEMBLY INSTRUCTIONS

2

Hardware ① x4PCS
Hardware ③ x20PCS



ASSEMBLY INSTRUCTIONS

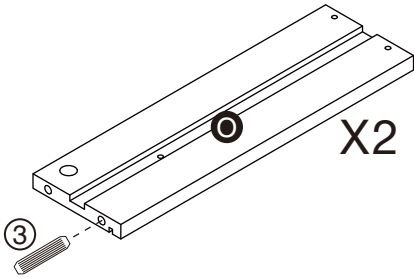
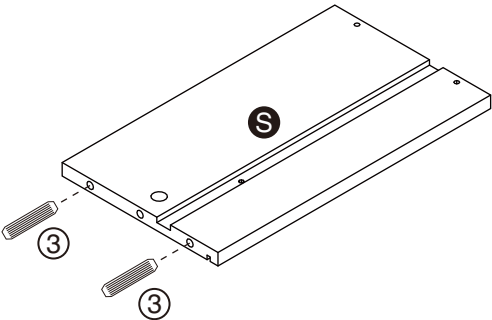
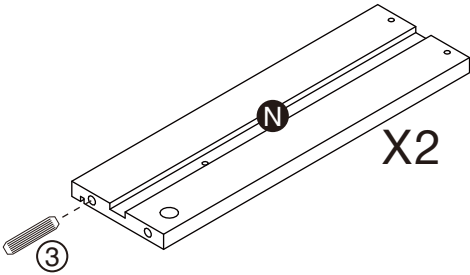
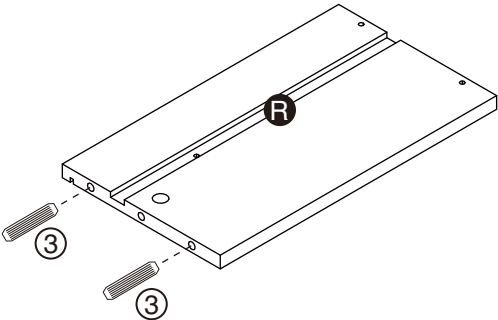
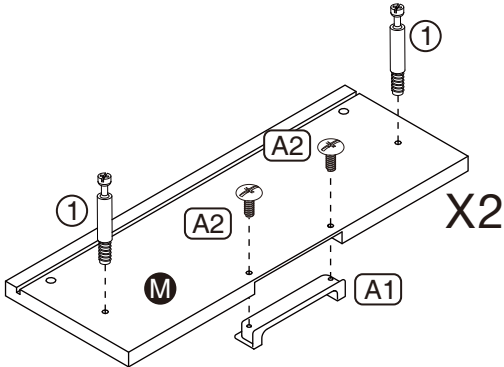
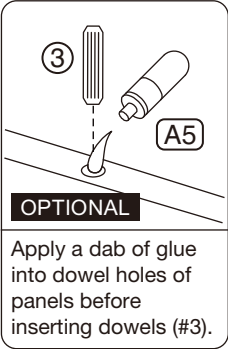
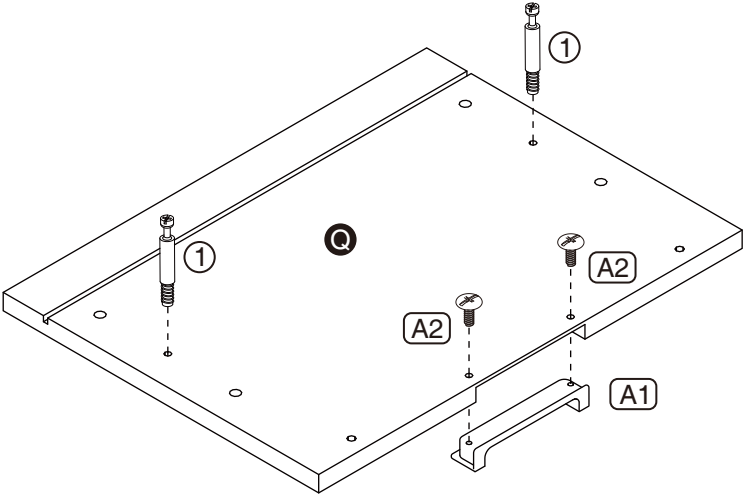
3

Hardware ① x6PCS

Hardware ③ x8PCS

Accessory A1 x3PCS

Accessory A2 x6PCS

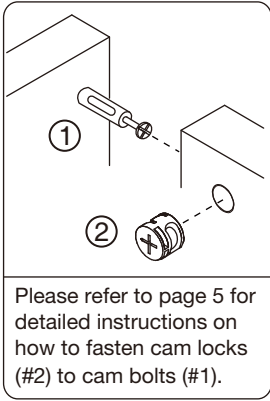
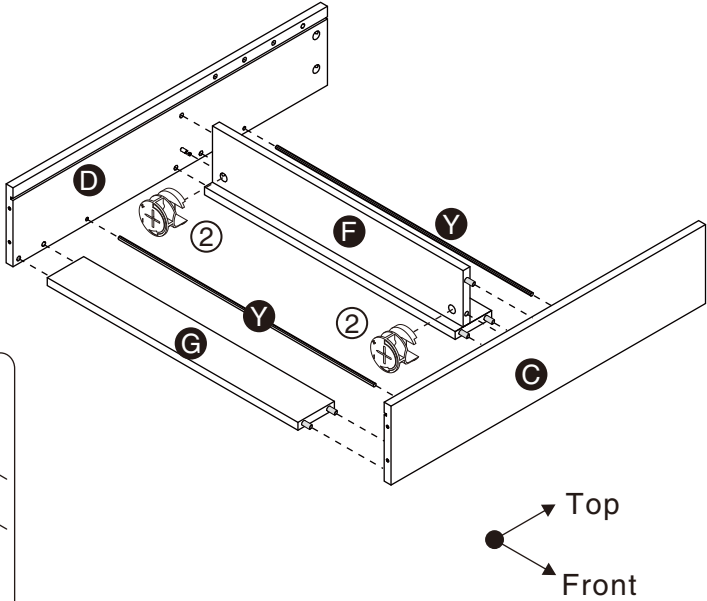


ASSEMBLY INSTRUCTIONS

4

- Part **C** x1PC
- Part **D** x1PC
- Part **F** x1PC
- Part **G** x1PC
- Part **Y** x2PCS

Hardware **2** x2PCS

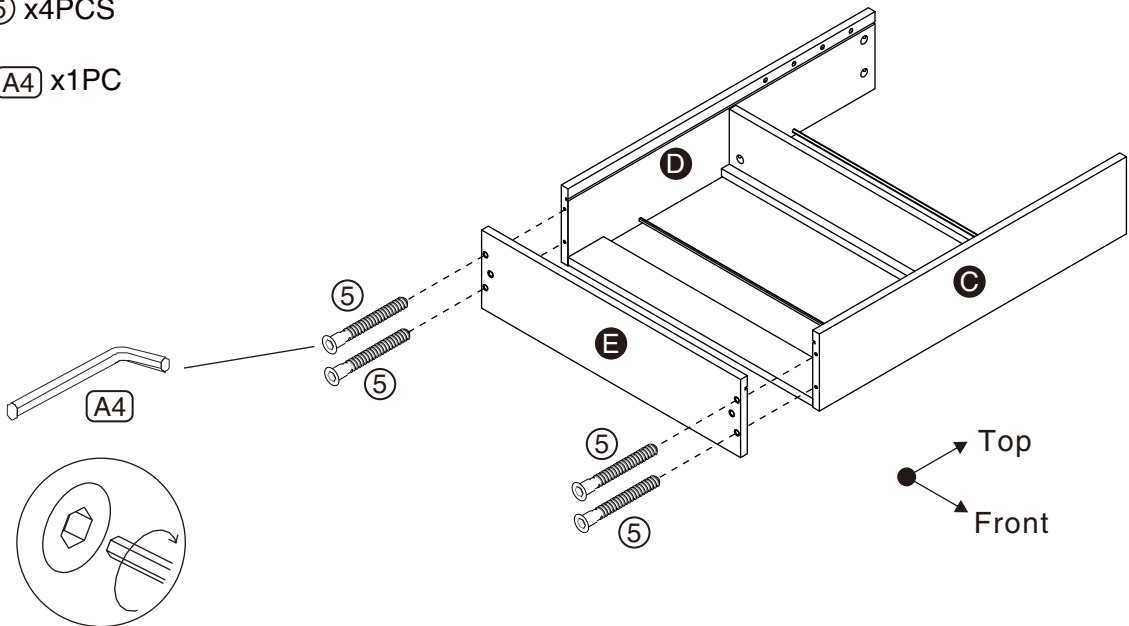


5

- Part **E** x1PC

Hardware **5** x4PCS

Accessory **A4** x1PC

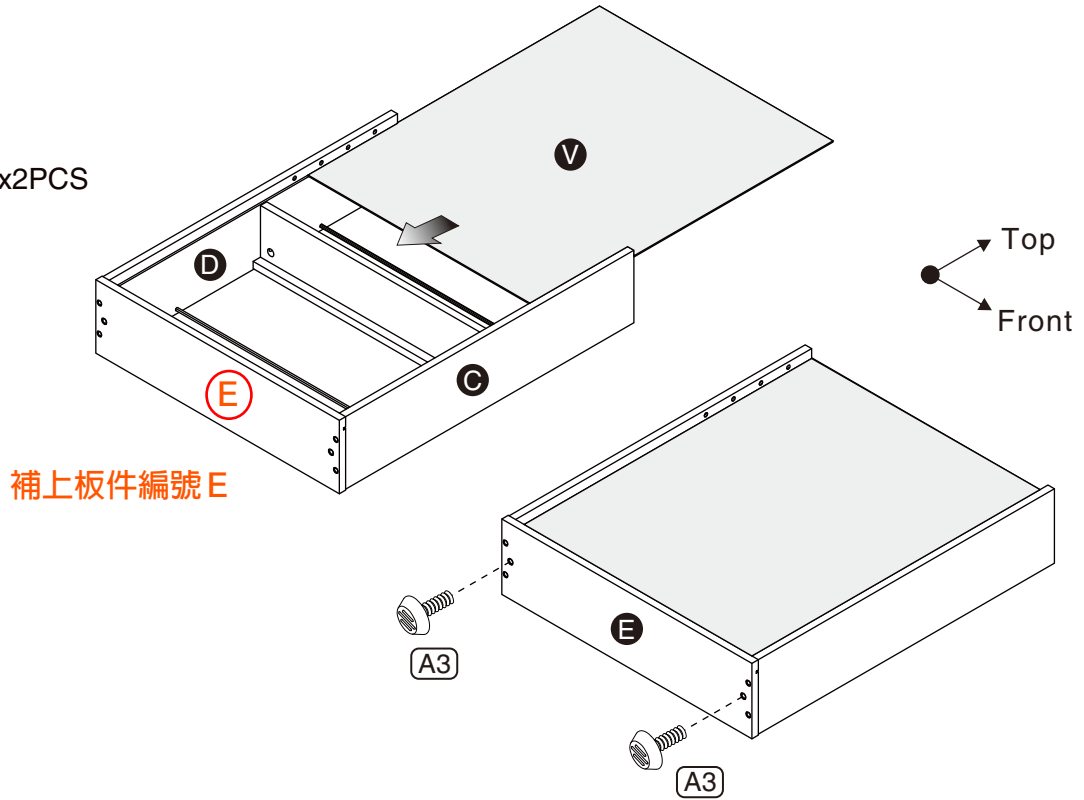


ASSEMBLY INSTRUCTIONS

6

Part **V** x1PC

Accessory **A3** x2PCS



7

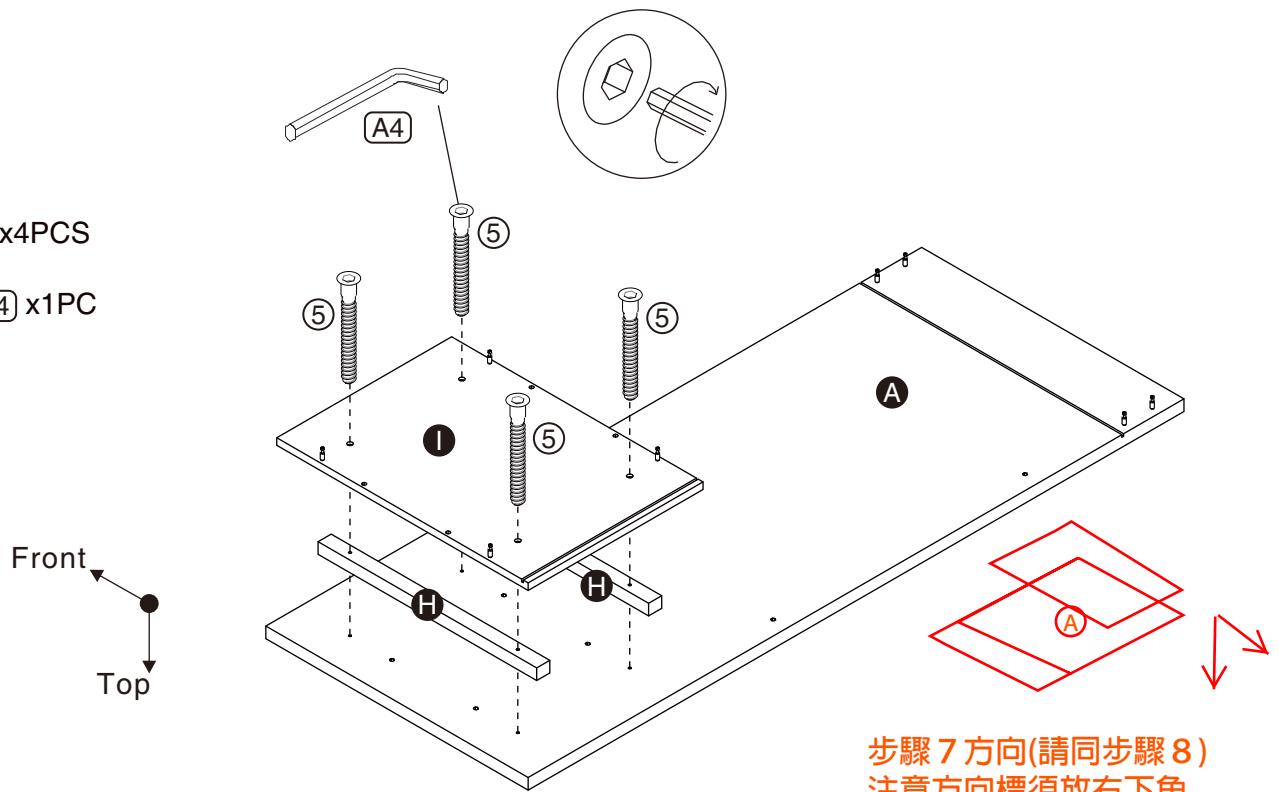
Part **A** x1PC

Part **H** x1PC

Part **I** x1PC

Hardware **5** x4PCS

Accessory **A4** x1PC

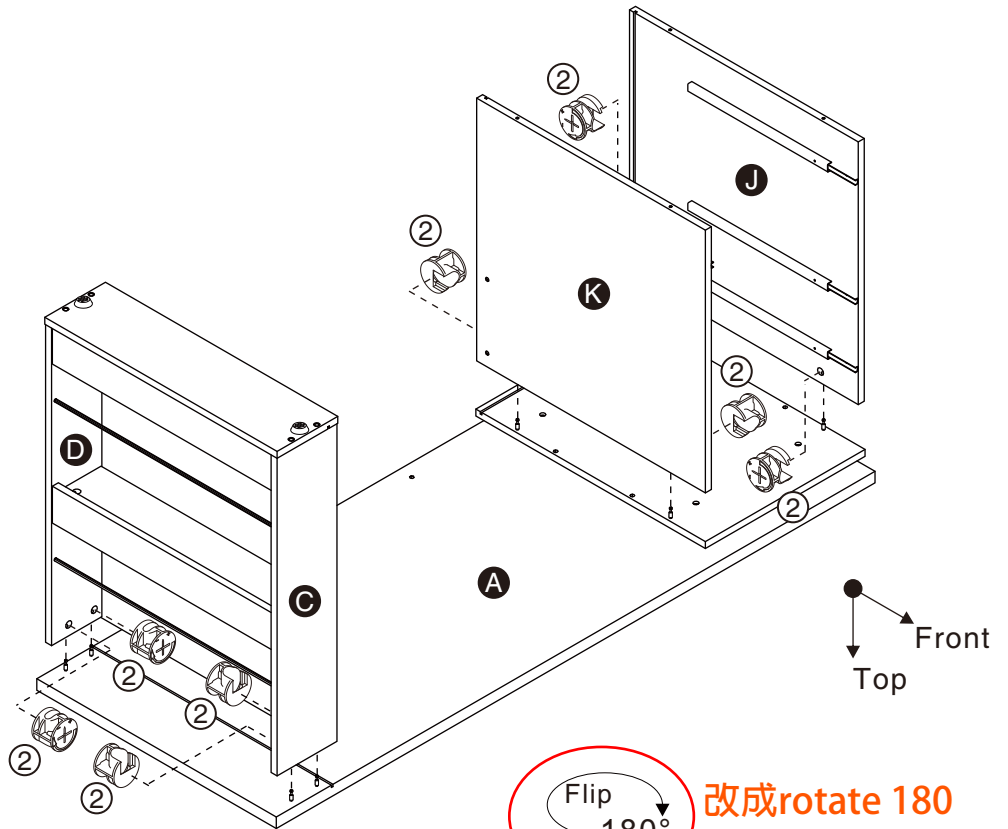
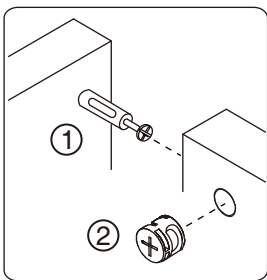


ASSEMBLY INSTRUCTIONS

8

Part **J** x1PC
Part **K** x1PC

Hardware **②** x8PCS

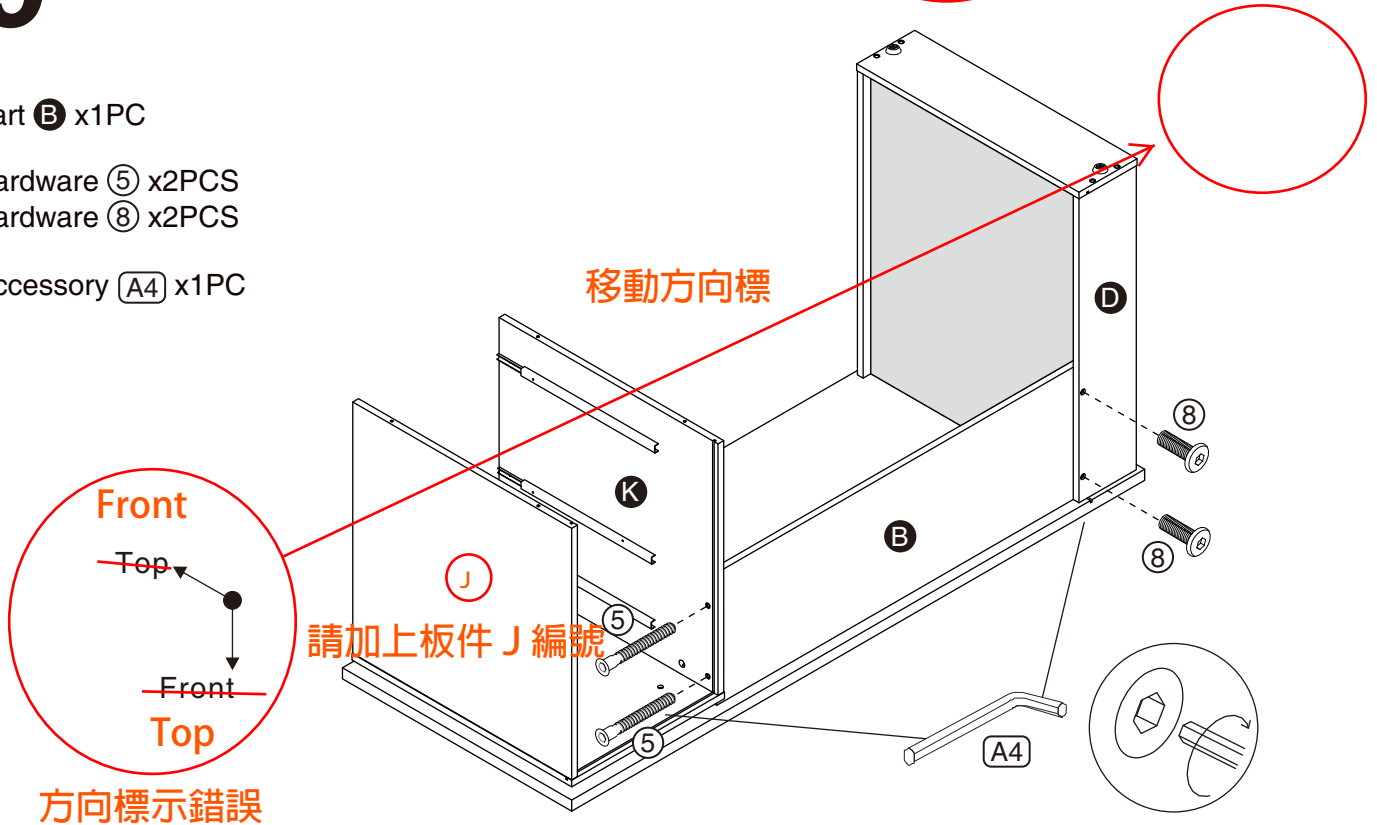


9

Part **B** x1PC

Hardware **⑤** x2PCS
Hardware **⑧** x2PCS

Accessory **A4** x1PC



ASSEMBLY INSTRUCTIONS

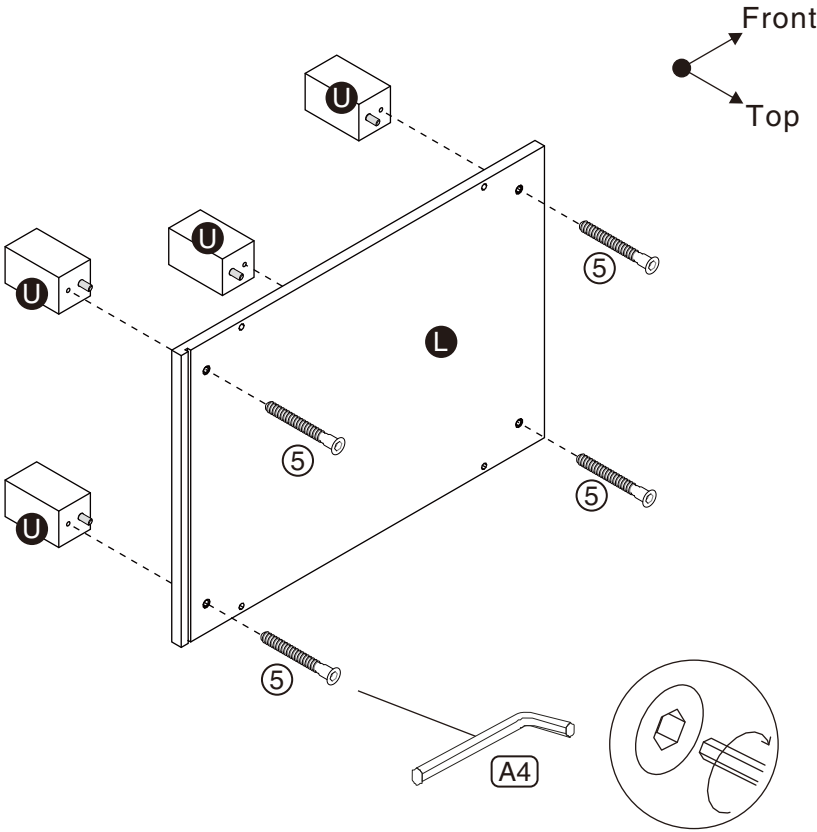
10

Part **L** x1PC

Part **U** x4PCS

Hardware **5** x4PCS

Accessory **A4** x1PC

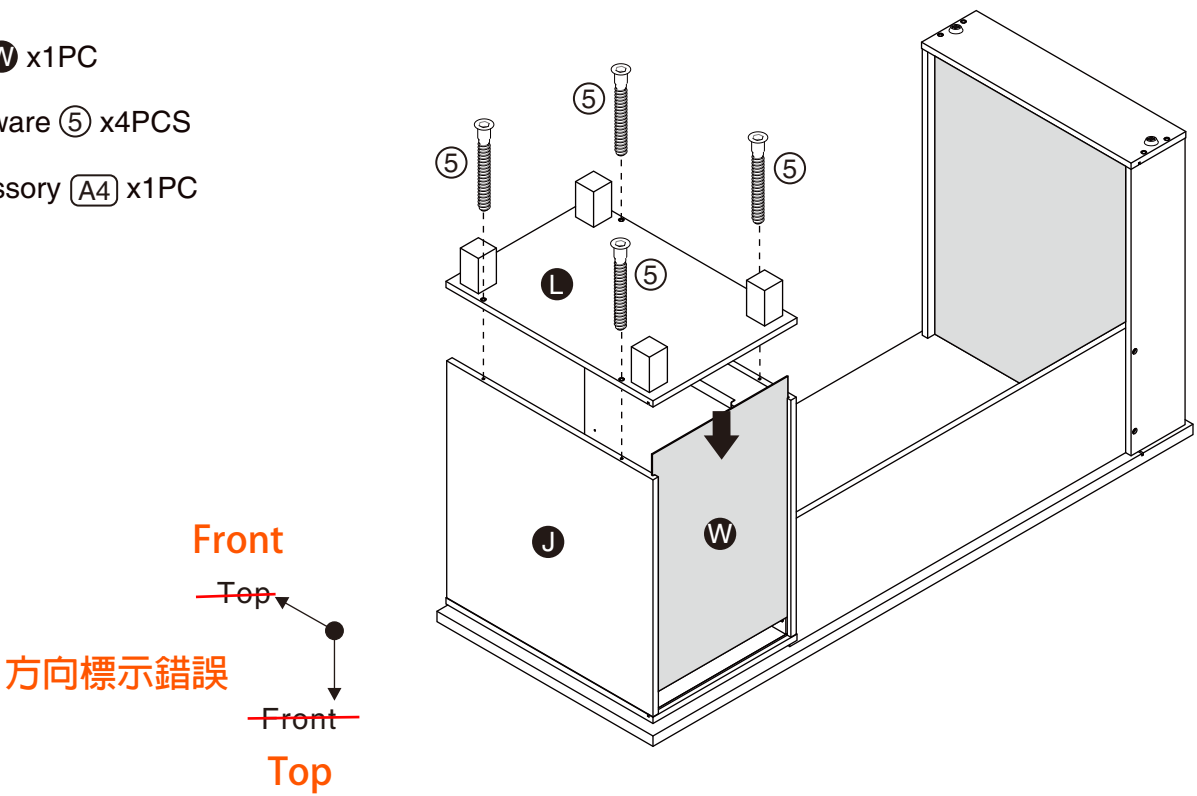


11

Part **W** x1PC

Hardware **5** x4PCS

Accessory **A4** x1PC

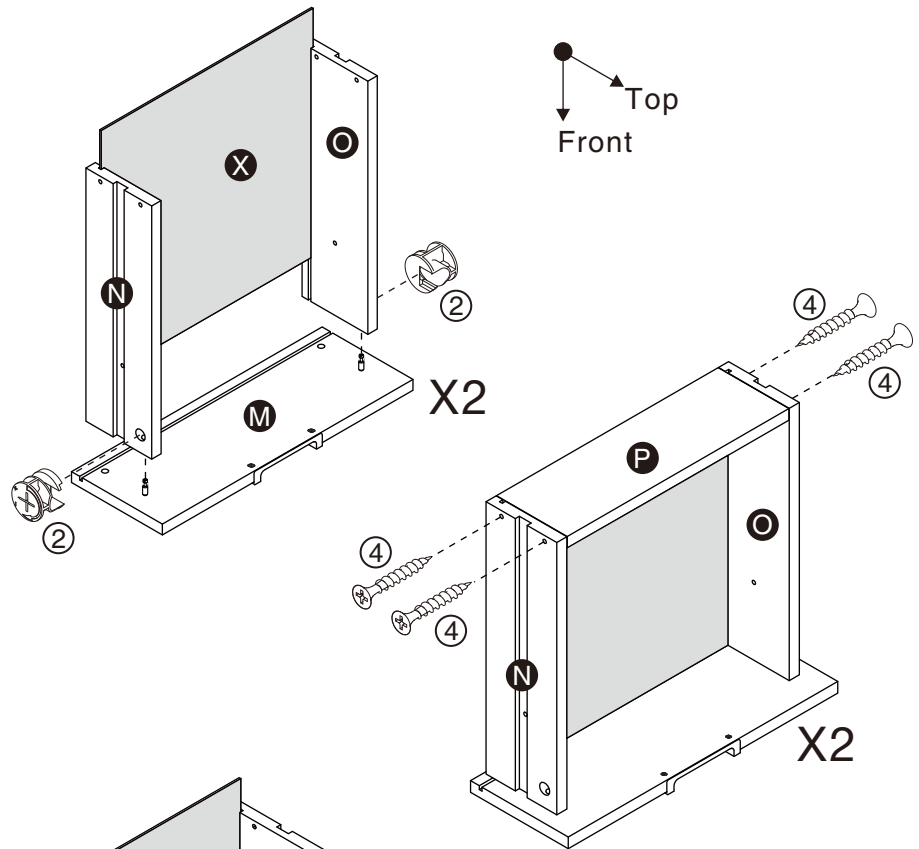
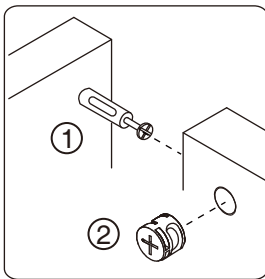


ASSEMBLY INSTRUCTIONS

12

- Part **M** x2PCS
- Part **N** x2PCS
- Part **O** x2PCS
- Part **P** x2PCS
- Part **X** x2PCS

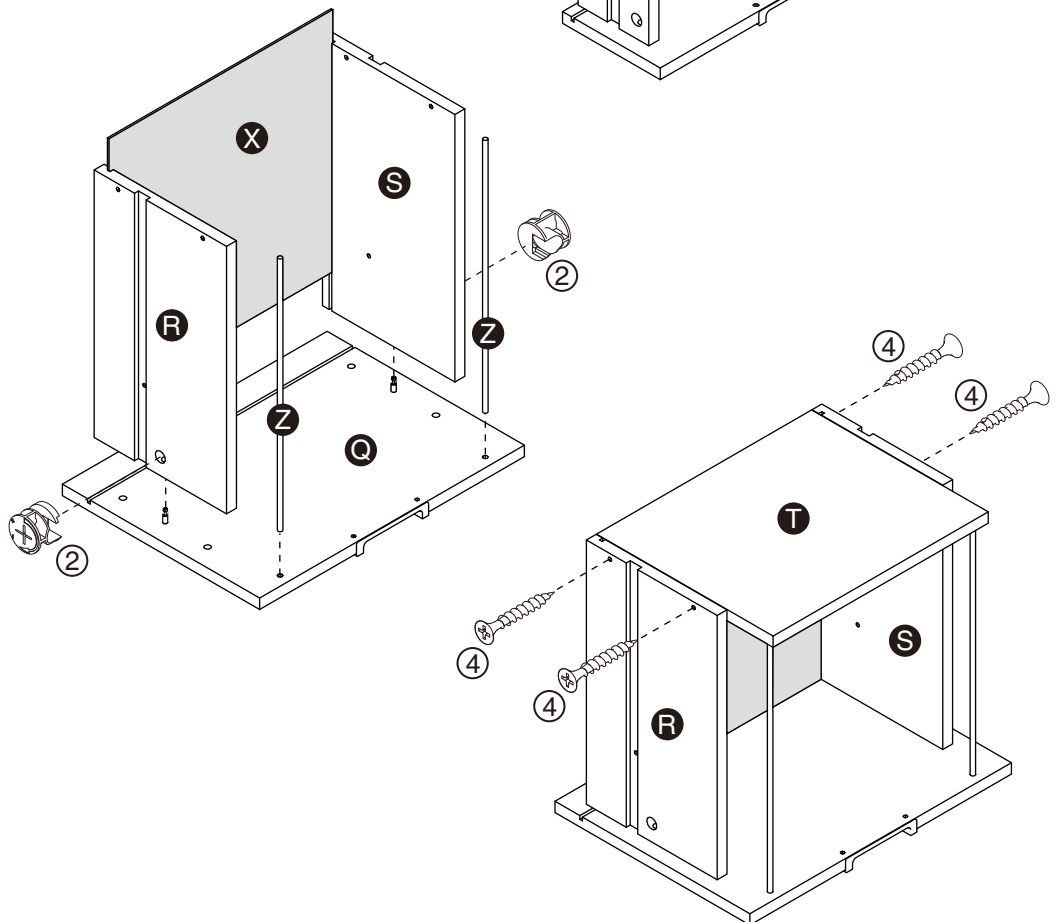
- Hardware **②** x4PCS
- Hardware **④** x8PCS



13

- Part **Q** x1PC
- Part **R** x1PC
- Part **S** x1PC
- Part **T** x1PC
- Part **X** x1PC
- Part **Z** x2PCS

- Hardware **②** x2PCS
- Hardware **④** x4PCS

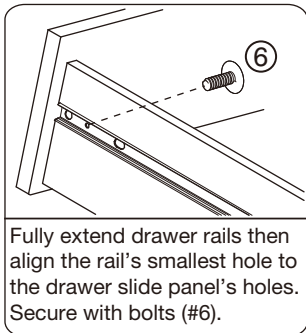
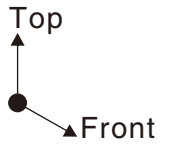


ASSEMBLY INSTRUCTIONS

14

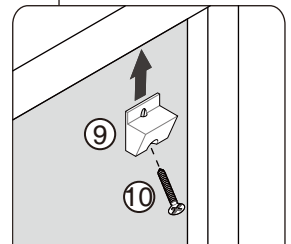
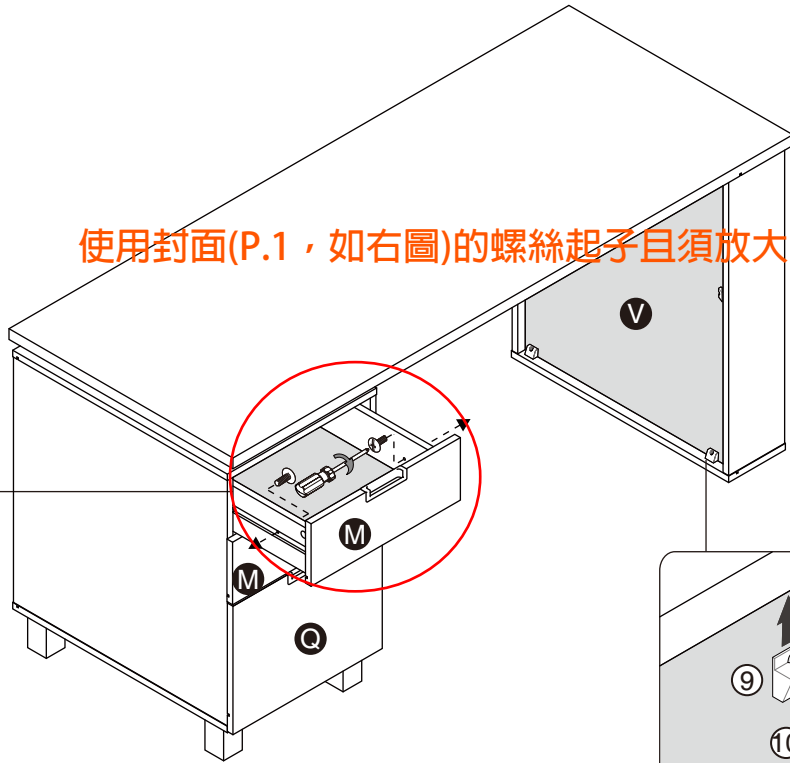
Hardware ⑥ x6PCS
Hardware ⑨ x6PCS
Hardware ⑩ x6PCS

使用封面(P.1, 如右圖)的螺絲起子且須放大



Fully extend drawer rails then align the rail's smallest hole to the drawer slide panel's holes. Secure with bolts (#6).

X6



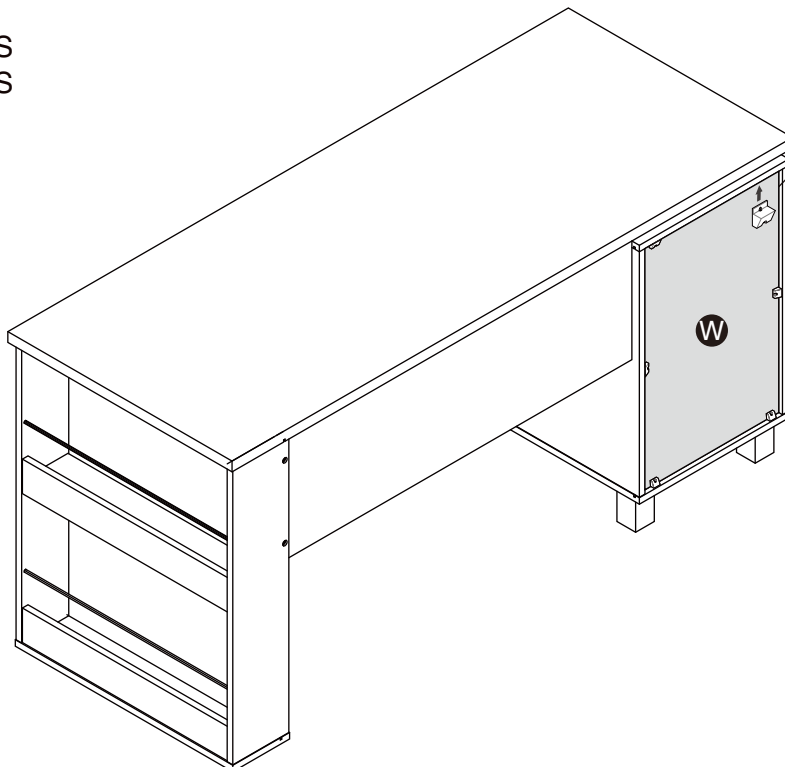
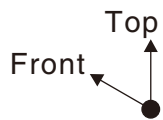
Insert fixative plates (#9) through the thin lined gaps between back and side panels, then secure by using screws (#10).

[No pre-drilled holes]

~~X12~~
X6

15

Hardware ⑨ x6PCS
Hardware ⑩ x6PCS



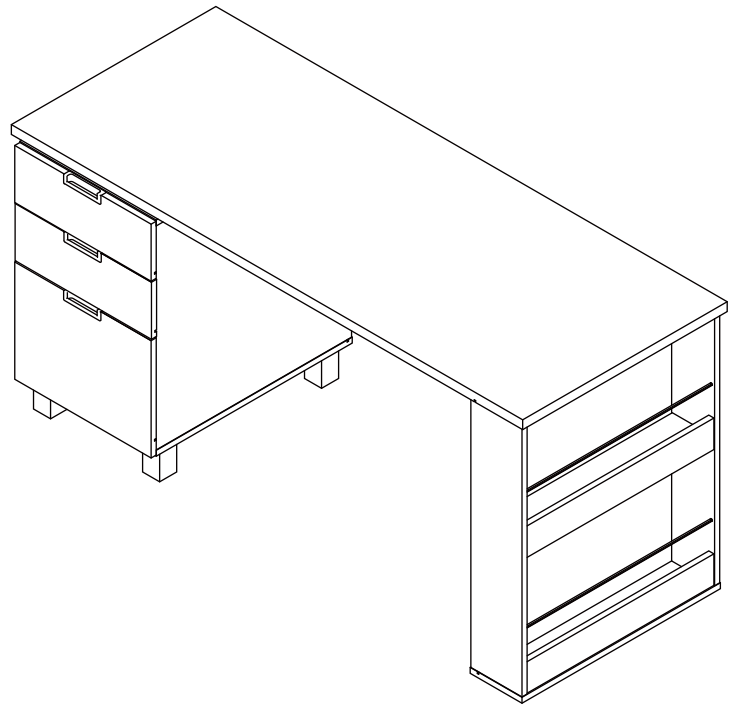
ASSEMBLY INSTRUCTIONS

16

ASSEMBLY COMPLETED



Please ensure the furniture rests on an even and flat surface. If the product wobbles or feels loose, double-check all bolts and/or screws are properly tightened and secured.



✓ Keep this handy!

Please retain this instruction manual and any order-related information for future reference.