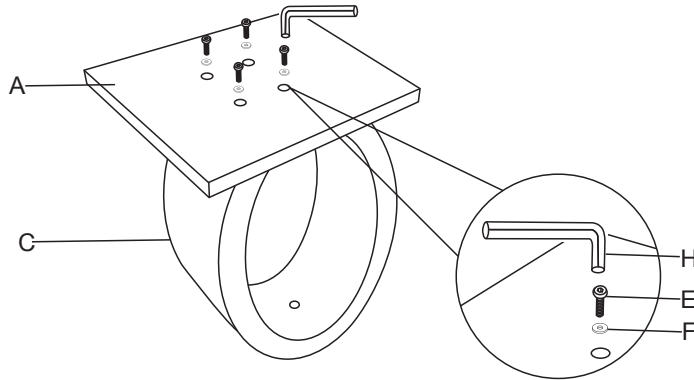


# ASSEMBLY INSTRUCTION

Description : End Table

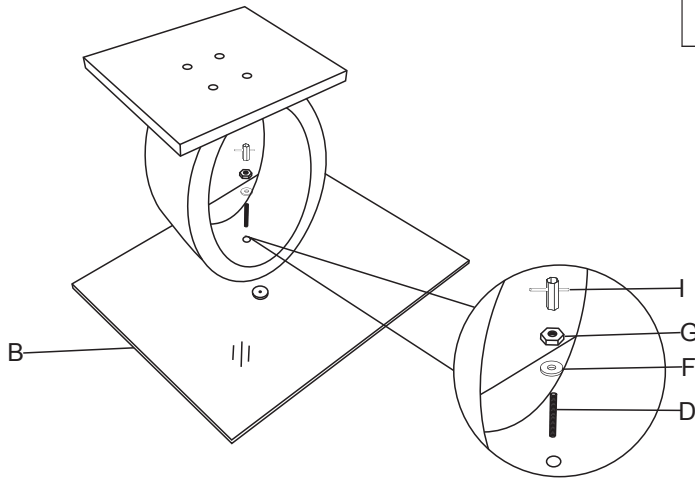
Thank you for purchasing this quality product. Be sure to check all packing material carefully for small parts that may have come loose inside the carton during shipment.

## Step 1:



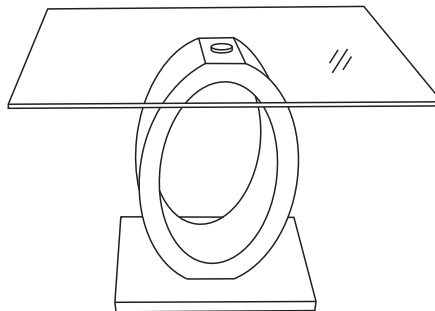
Firstly, fix the table leg with table base but do not fully tighten the bolt(E).

## Step 2:



Assemble table glass top with table leg but do not fully tighten the bolt(D).

## Finished



Finally, lean the table with extra care and tighten the bolt.(D&E).

### PART LIST :

No.	Description	Diagram	Quantity
A	Table base		1
B	Table glass top		1
C	Table leg		1

### HARDWARE LIST :

No.	Description	Diagram	Size	Quantity
D	Stud		M8x75mm	1
E	Bolt		M8x45mm	4
F	Flat washer		Ø8x18x1.5mm	5
G	Nut		M8	1
H	Allen key		M5	1
I	Socket Spanner		M8	1

Made In China