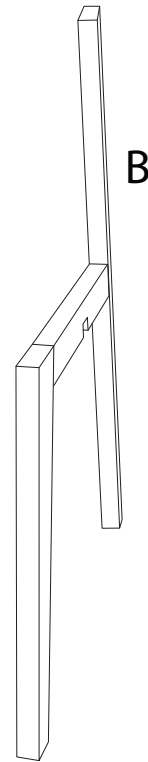
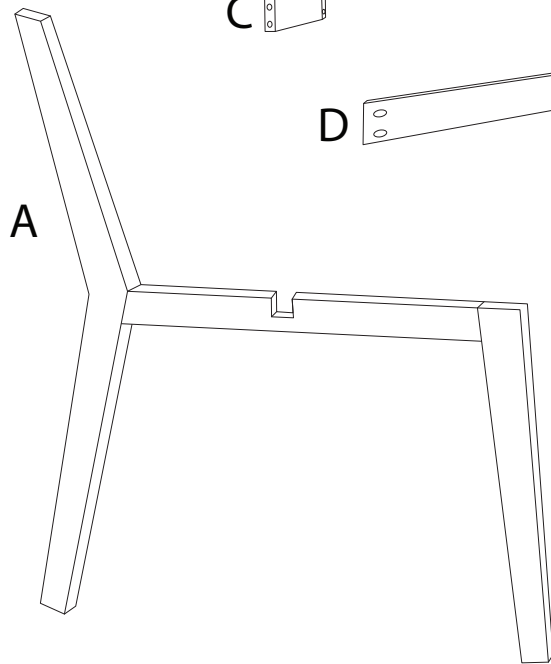
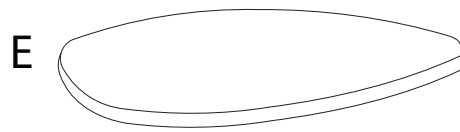
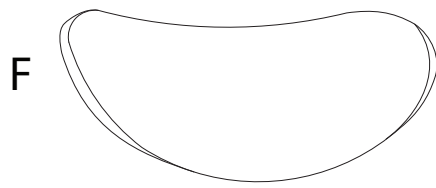


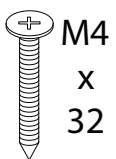
A circular icon containing a screwdriver and an L-shaped bracket. To the right of this circle is a power drill with a diagonal line through it, indicating it should not be used.		
A circular icon showing a rectangular block being placed on a surface with a hatched pattern. To the right is a diagram of a block being cut or drilled, with a diagonal line through it, indicating a warning or prohibition.		

30'

1

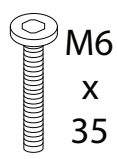


1



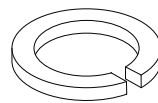
x 12

2



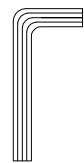
x 4

3



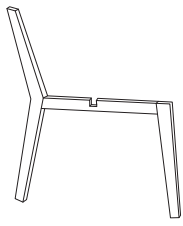
x 4

4



x 1

A



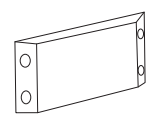
x 1

B



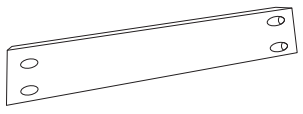
x 1

C



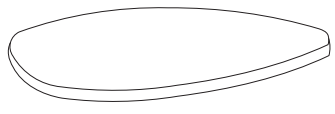
x 1

D



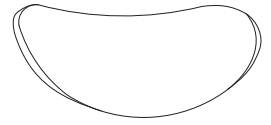
x 1

E



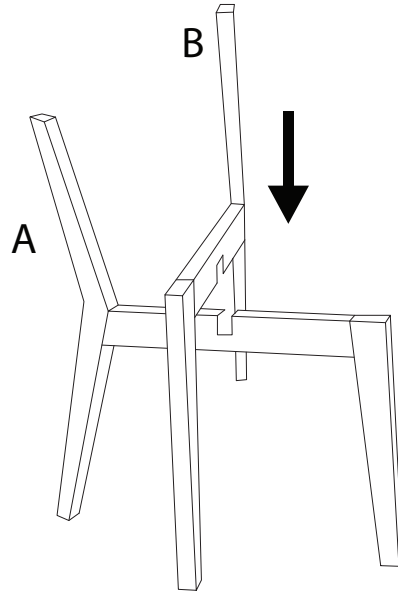
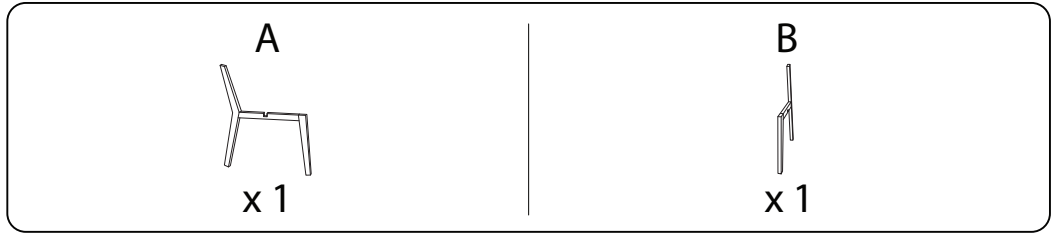
x 1

F

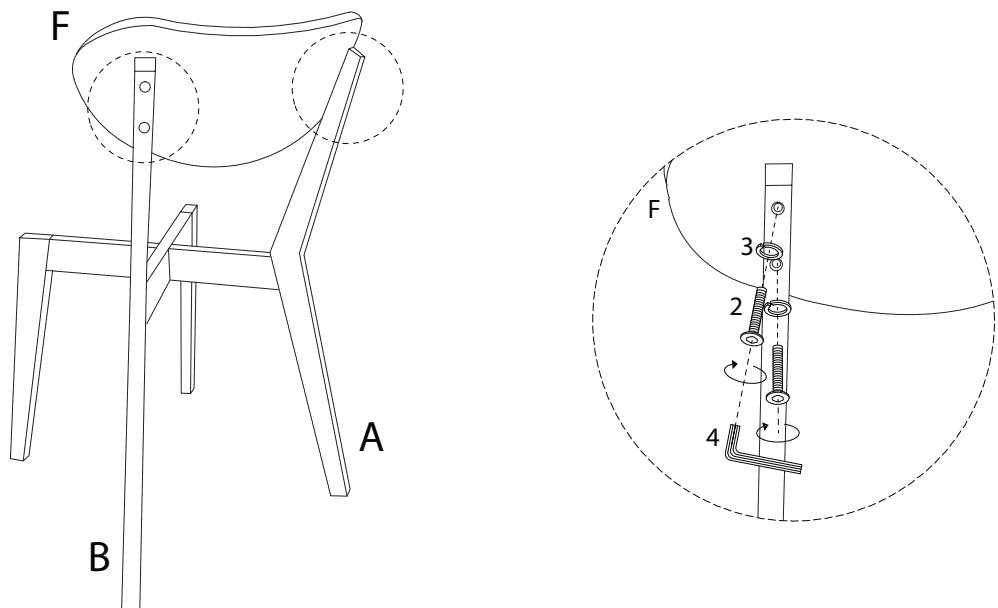
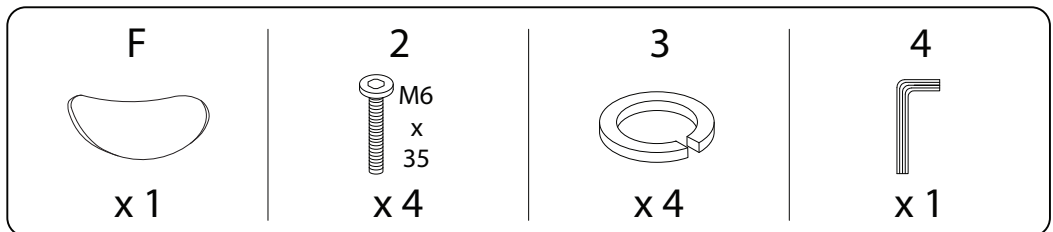


x 1

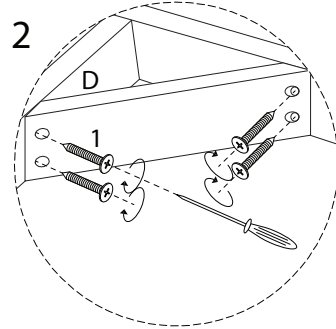
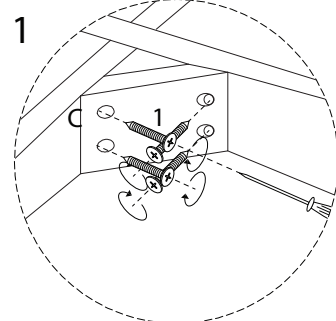
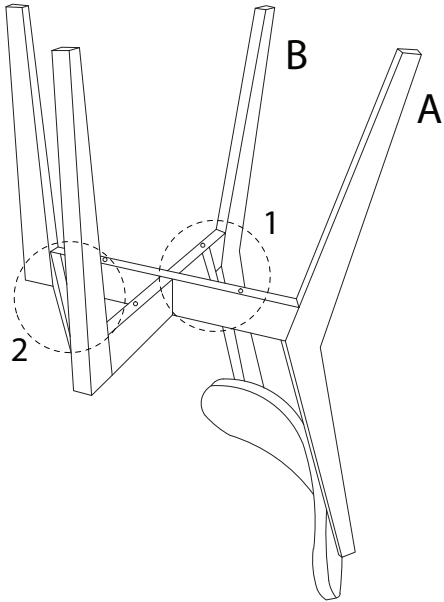
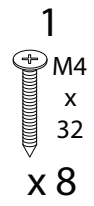
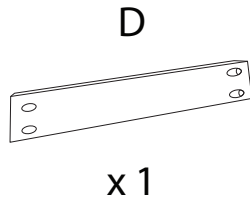
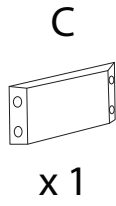
1



2



3



4

