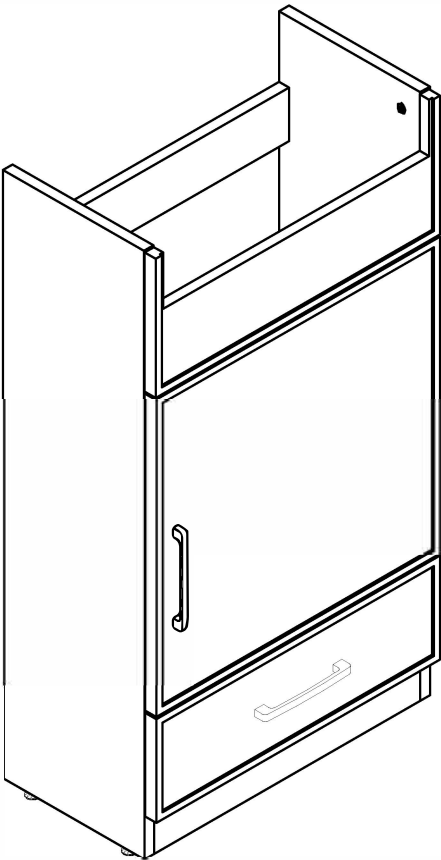
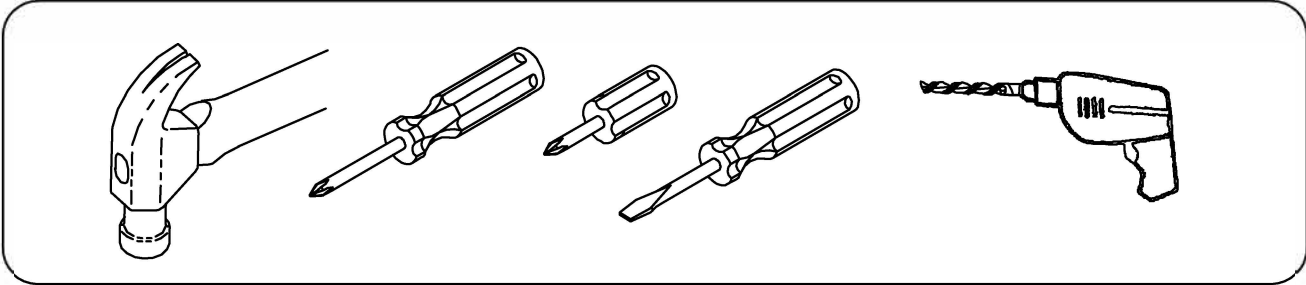


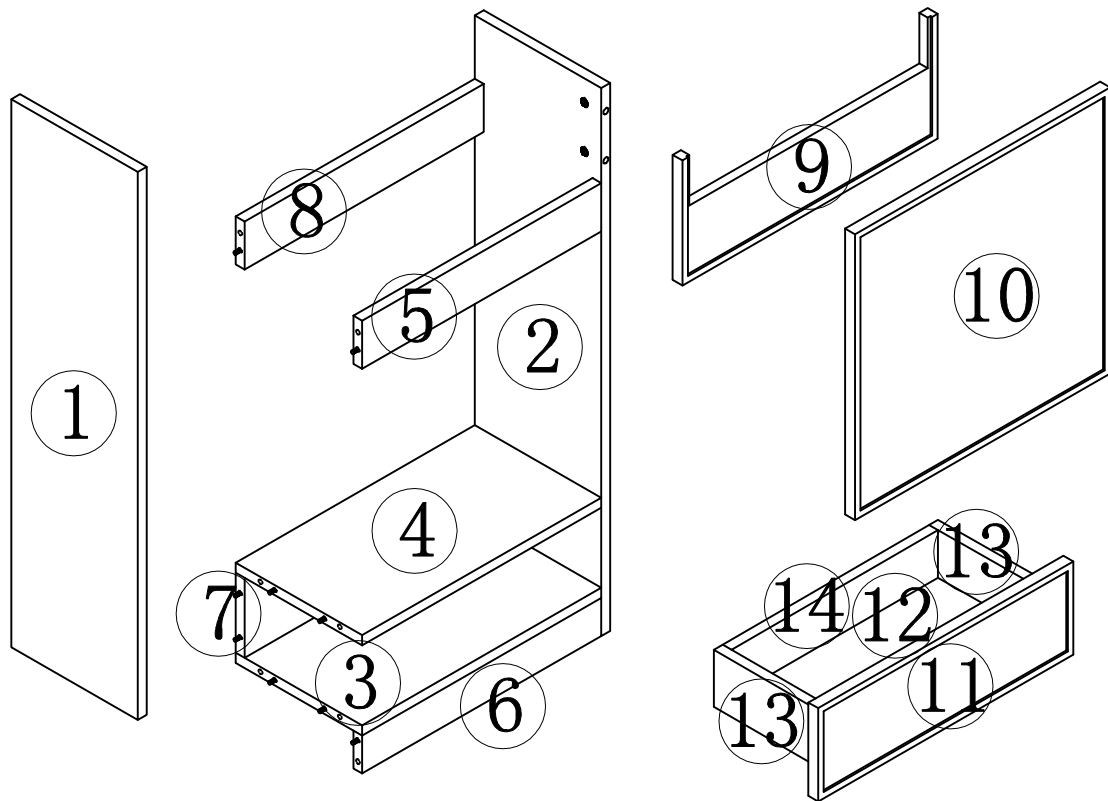
DIMENSIONS



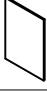

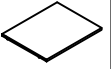
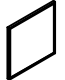
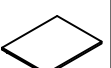


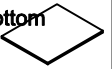
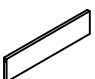
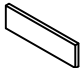

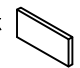












YOU MAY NEED (NOT SUPPLY)





ASSEMBLY DIAGRAM



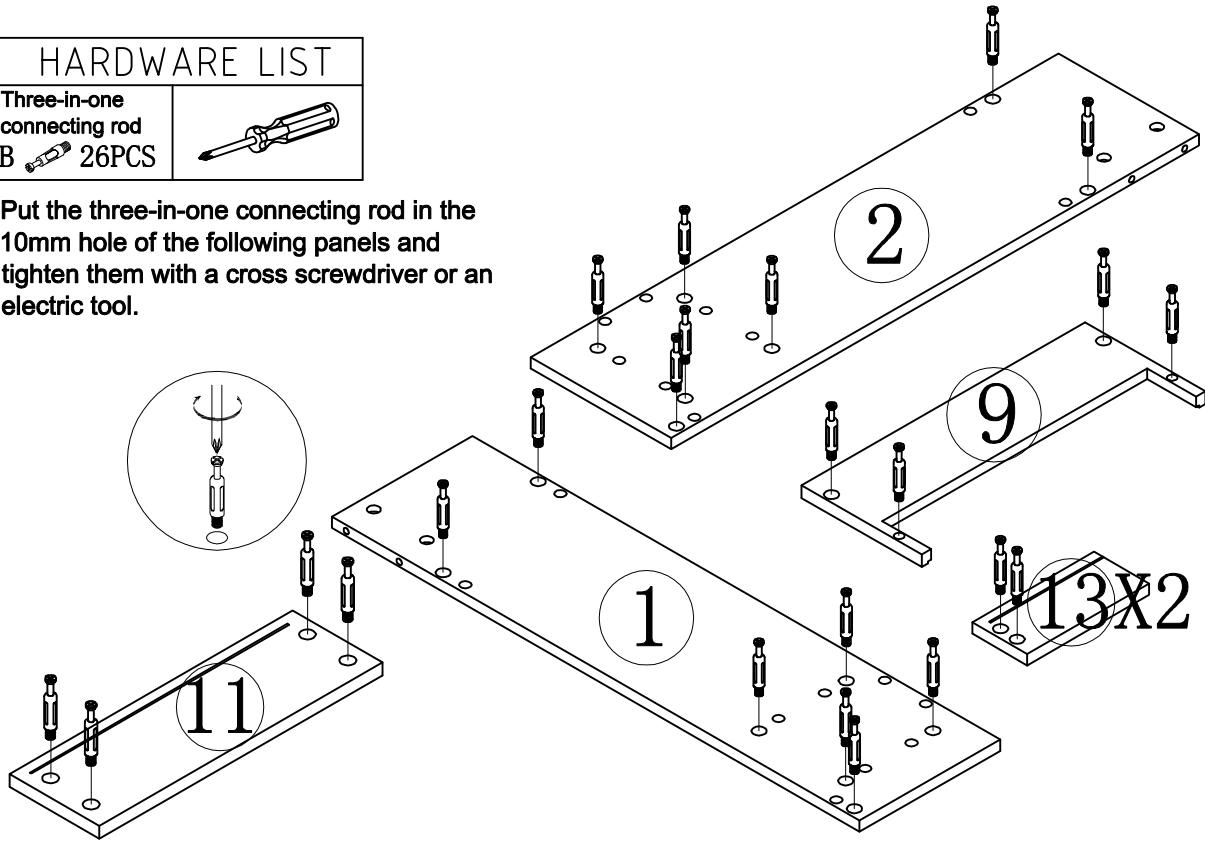
PARTS LIST					
PARTS LIST					
NO	DESCRIPTION	QTY	NO	DESCRIPTION	QTY
①	Left side panel 	1	⑧	rear pull-up bar 	1
②	Right side panel 	1	⑨	Front baffle panel 	1
③	Bottom panel 	1	⑩	Right door panel 	1
④	laminate 	1	⑪	drawer panel 	1
⑤	front pull-up 	1	⑫	drawer bottom 	1
⑥	Front bottom bar 	1	⑬	drawer side panel 	2
⑦	rear drop down 	1	⑭	drawer back panel 	1

PARTS LIST					
HARDWARE LIST					
NO	DESCRIPTION	QTY	NO	DESCRIPTION	QTY
A	Three-in-one eccentric wheel 	26	F	4*16mm screw 	24
B	Three-in-one connecting rod 	26	G	4*20mm screw 	4
C	Three-in-one sticker 	26	H	Door handle 	1
D	8*40mm wood dowel pins 	18	I	Drawer handle 	1
E	Drawer slides 	2	J	Door hinge 	2
CAUTION: Please confirm the parts list before installation					

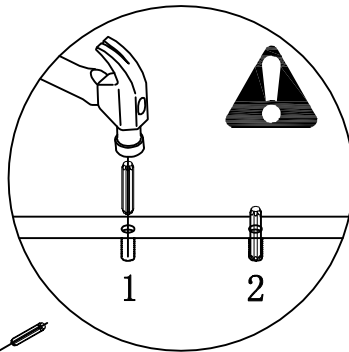
STEP 1

HARDWARE LIST	
Three-in-one connecting rod B  26PCS	

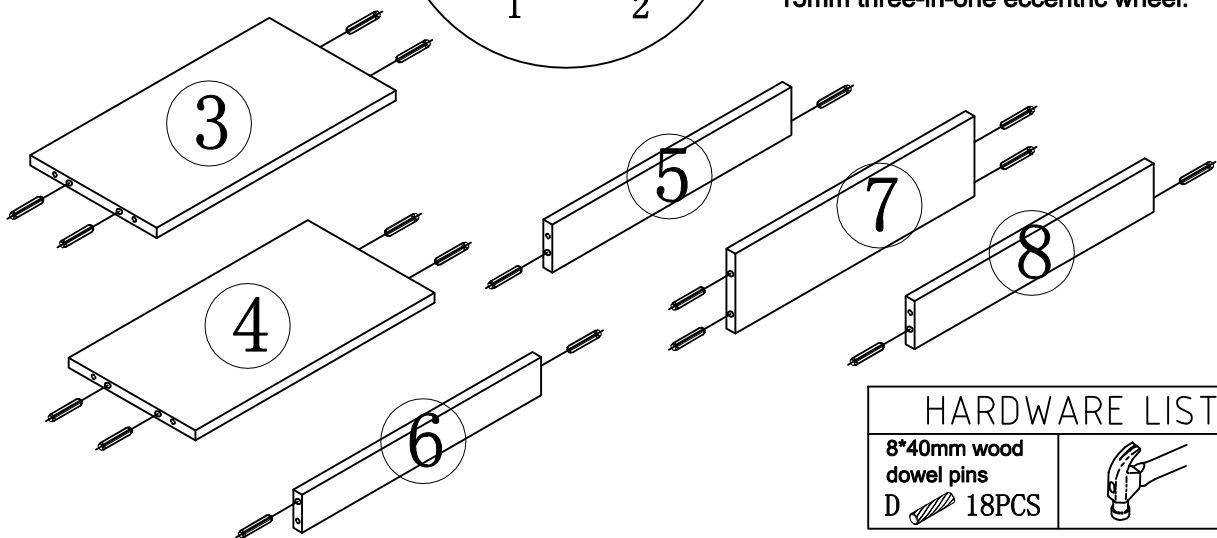
1. Put the three-in-one connecting rod in the 10mm hole of the following panels and tighten them with a cross screwdriver or an electric tool.


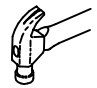


STEP 2

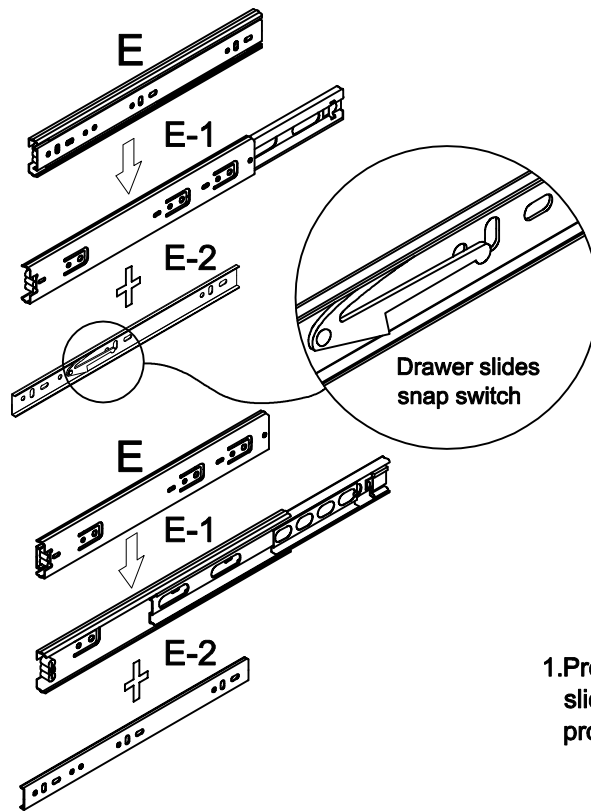


1. Strike the 08*40mm wood dowel pin into the 8mm hole of the above panels with an iron hammer. Please note that the hole of the three-in-one connecting rod should also be 8mm. The hole of the three-in-one connecting rod connects to the hole of 15mm three-in-one eccentric wheel.



HARDWARE LIST	
8*40mm wood dowel pins D  18PCS	

STEP 3

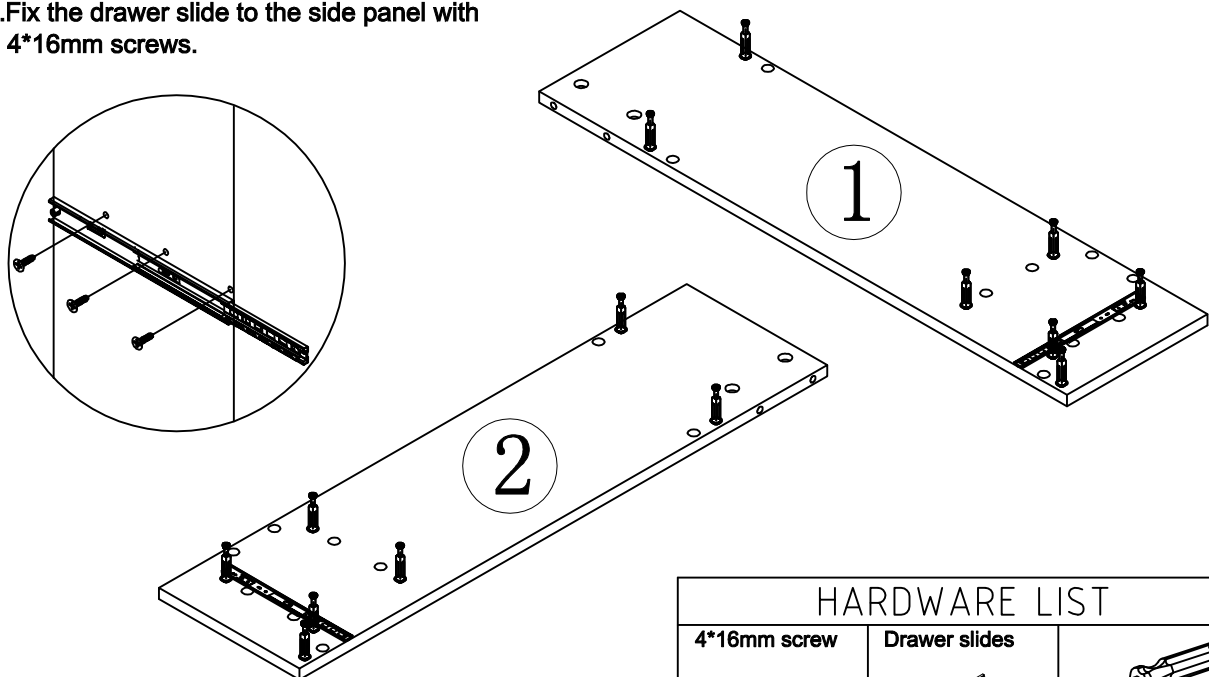


HARDWARE LIST	
Drawer slides	
E 2PCS	

1. Press the slide snap switch, disassemble slide blocks and put them in a place properly for further use.

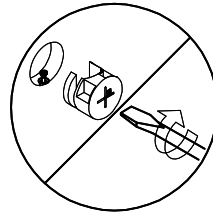
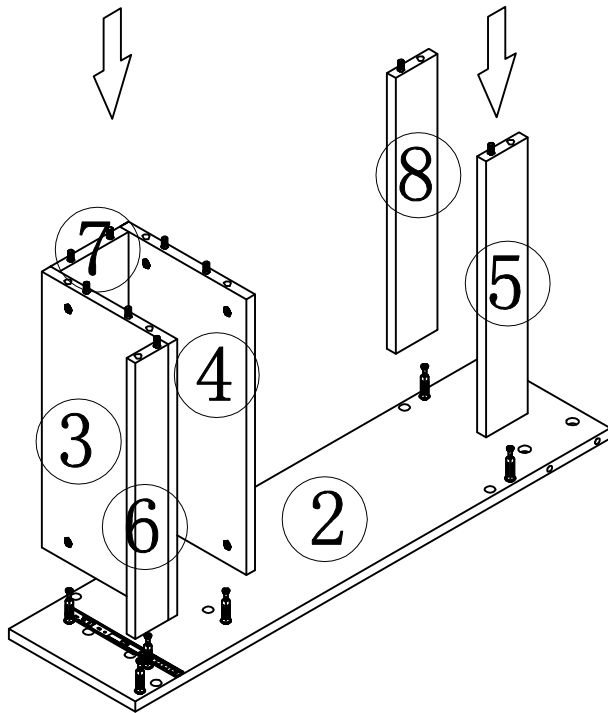
STEP 4

1. Fix the drawer slide to the side panel with 4*16mm screws.

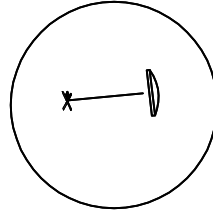


HARDWARE LIST		
4*16mm screw	Drawer slides	
F 6PCS	E-1 2PCS	




STEP 5



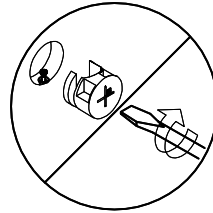
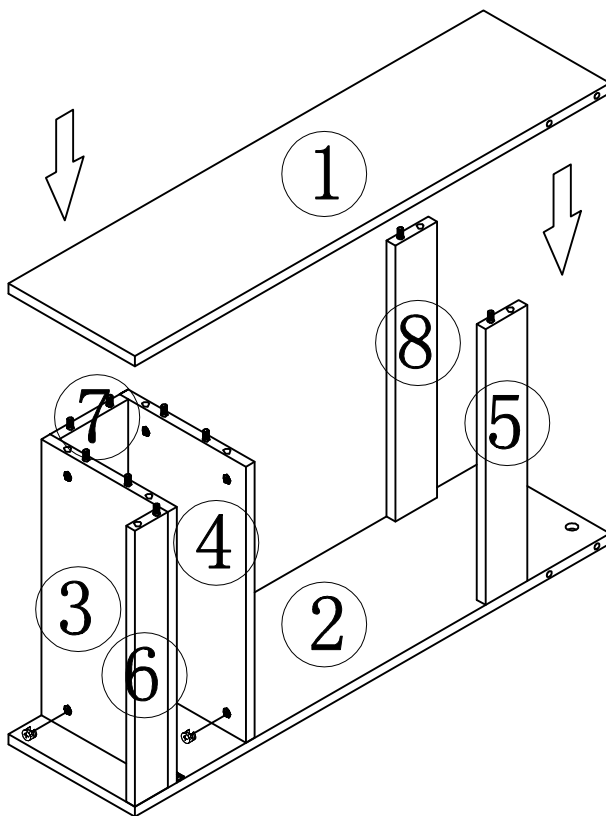
1. Connect No. 3-4-5-6-7-8 panel to No.2 panel tightly with the three-in-one eccentric wheel.



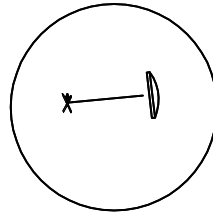
2. Cover the mounting hole of the eccentric wheel with a three-in-one sticker.

HARDWARE LIST		
Three-in-one eccentric wheel A  7PCS	Three-in-one sticker C  7PCS	




STEP 6



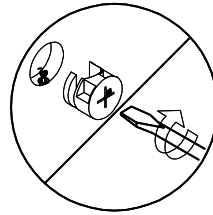
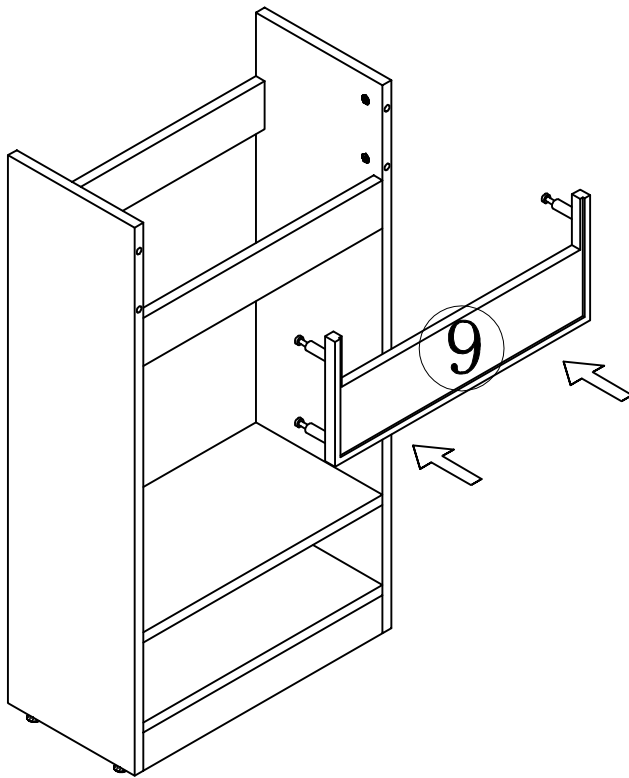
1. Connect No. 1 panel to No. 3-4-5-6-7-8 panel tightly with the three-in-one eccentric wheel.



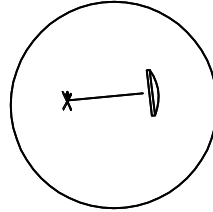
2. Cover the mounting hole of the eccentric wheel with a three-in-one sticker.

HARDWARE LIST		
Three-in-one eccentric wheel A  7PCS	Three-in-one sticker C  7PCS	




STEP 7



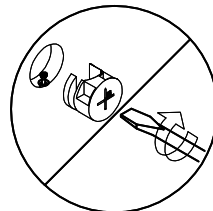
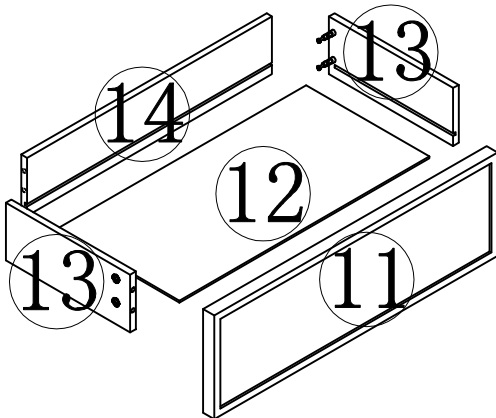
1. Install No.9 panels with the three-in-one eccentric wheel tightly.



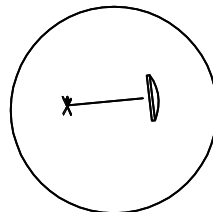
2. Cover the mounting hole of the eccentric wheel with a three-in-one sticker.

HARDWARE LIST		
Three-in-one eccentric wheel A  4PCS	Three-in-one sticker C  4PCS	

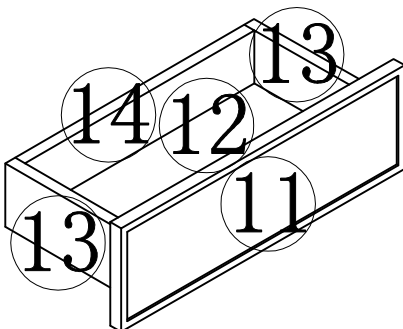
STEP 8






1. Install No. 11-12-13-14 panels with the three-in-one eccentric wheel tightly.

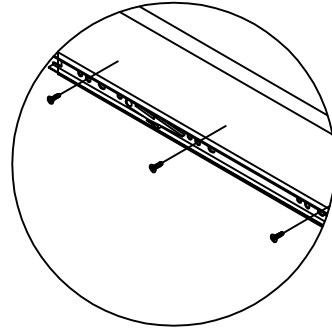
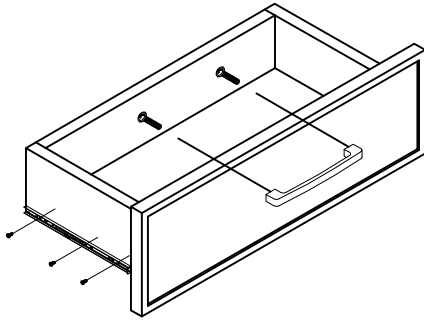


2. Cover the mounting hole of the eccentric wheel with a three-in-one sticker.

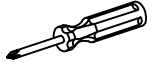






HARDWARE LIST		
Three-in-one eccentric wheel A  8PCS	Three-in-one sticker C  8PCS	

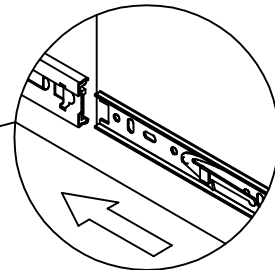
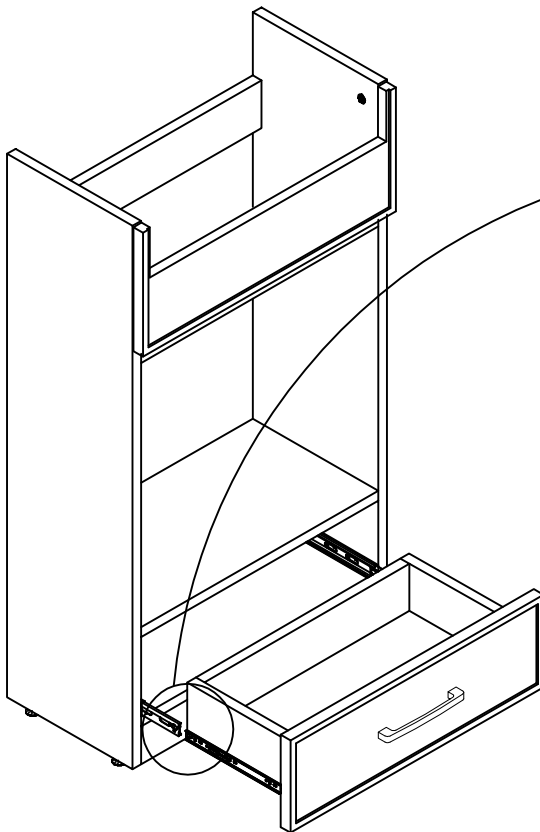
STEP 9



- 1.Lock the spare drawer slide block to the drawer.
- 2.Install the drawer handle with 4*20 handle screws.

HARDWARE LIST		
4*16mm screw	Drawer slides	
F  6PCS	E-2  2PCS	
4*20mm screw	Drawer handle	
G  2PCS	I  1PCS	

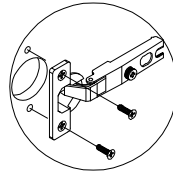
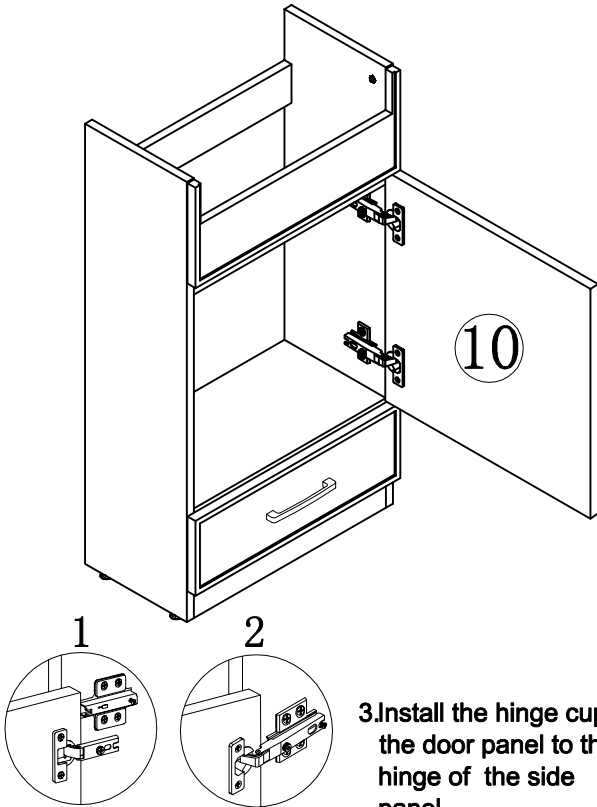
STEP 10



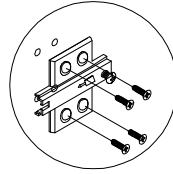
- 1.Align slide block with the trough on the guide rail, press the snap switch and press it forward to install the drawer.

- 2.Install drawer handles.

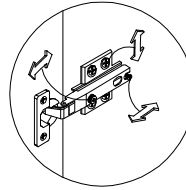
STEP 11



1. Install the hinge cup to the door panel with 4*16mm screws.



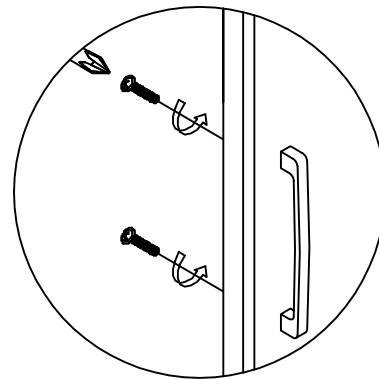
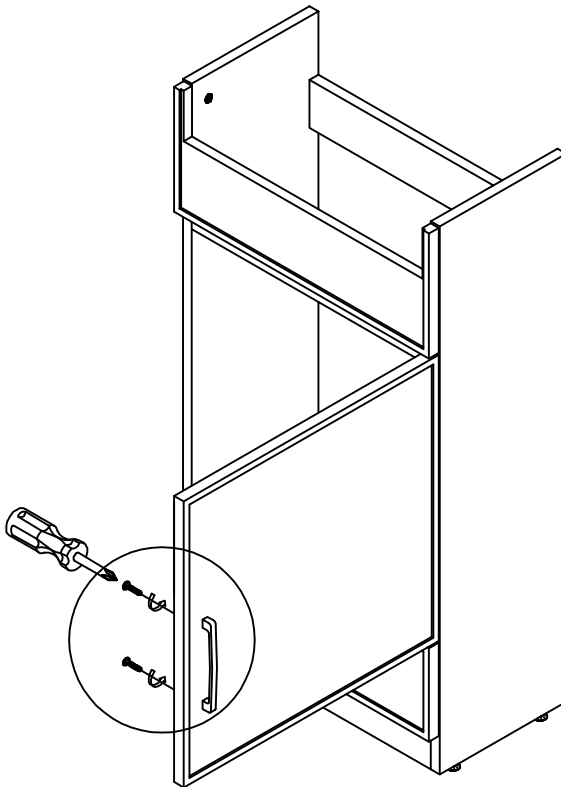
2. Install the hinge to the side panel with 4*16mm screws.



4. Adjust the door panel clearance.

HARDWARE LIST		
4*16mm screw	Door hinge	
F  12PCS	K  2PCS	

STEP 12



1. Install the door handle with 4*20 handle screws.

HARDWARE LIST		
4*20mm screw	Door handle	
G  2PCS	H  1PCS	



Choking hazard-Small Parts : This unit contains small parts, not for children under 3 years.

Tip-over hazard : Secure finished unit to wall stud using L-Bracket and wall screw (#10*1.5"W/out provided). If a wall stud is not neccessible , Consault your local hardware store for appropriate mounting hardware . Failure to properly install will result in product collapse or tip-over. Serious injury can occur .