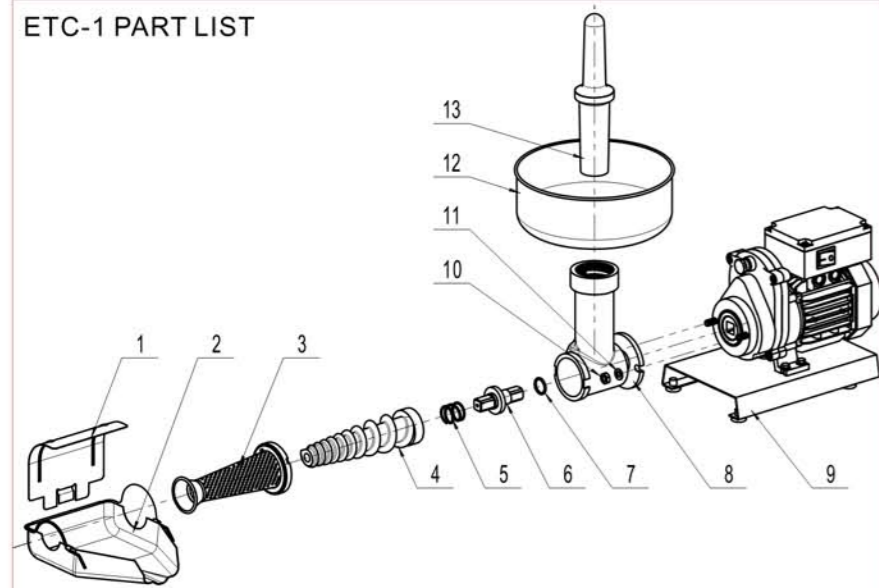


### ETC-1 PART LIST

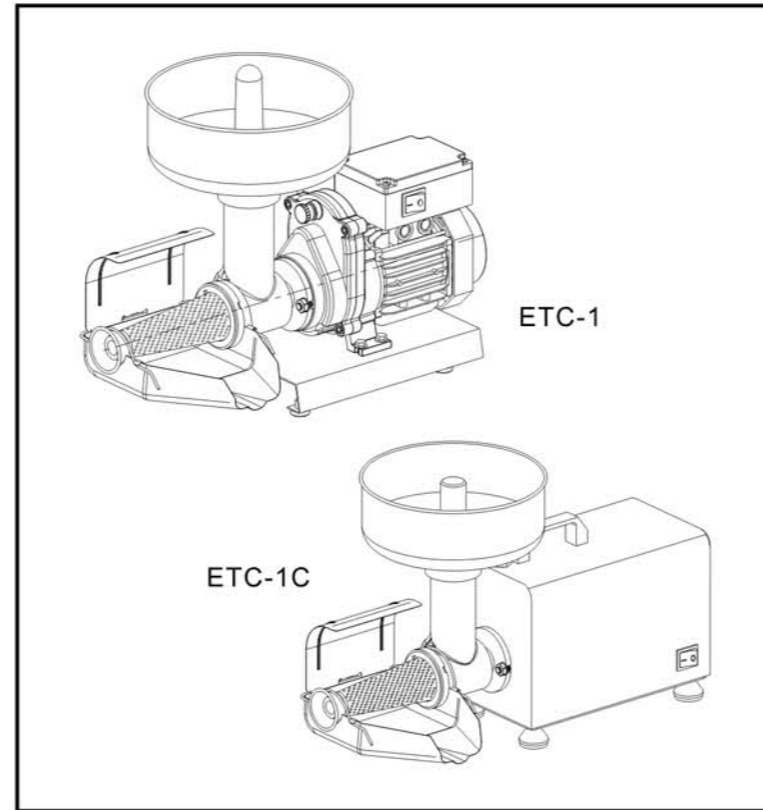


NO.	DES.	QTY	NO.	DES.	QTY
1	Trough Brace	1	6	Drive Shaft	1
2	Trough	1	7	O Ring	1
3	Filter	1	8	Body	1
4	Screw Feeder	1	9	Bottom Panel	1
5	Drive Spring	1			

## ELECTRIC SAUCE MAKING MACHINE

### ITEM NO.: ETC-1 / ETC-1C

### OPERATING INSTRUCTIONS



PLS READ THIS INSTRUCTION CAREFULLY BEFORE USE!

### Technical Specifications

Style	SAUCE MACKING MACHINE
Nominal power, HP	450 W
Gearing	2 - speed gearbox
Dimensions WxHxD, cm	490 x 230 x 345
Rated voltage	110 V / 220V / 240V 50/60Hz
Gross weight, kg	ETC-1: 9.0KG; ETC-1C: 10.6KG

### Safety notices

- Please read these instructions carefully and use the device only for food processing.
- Persons with physical, sensory or mental abilities may not use the device unless they are supervised and instructed by a person responsible for your safety.
- Only place the unit out of the reach of children.
- To prevent hair, clothing or chains from getting into the moving parts, do not wear jewelry or tie long hair together while working. Always work in a concentrated manner.
- Keep all parts of the unit and accessories clean as they come into contact with food. Thoroughly clean all parts of the unit before each use.
- Do not use solvents, benzene or alcohol to clean the unit.
- Please note the maximum operating time (without interruption) of 15 minutes. Allow the unit to cool down for 5 minutes before further use.

### Intended use

#### IMPORTANT:

**! If you forget to turn off the unit before unplugging the power cord, wait at least 10 seconds before restoring power.**

**! Never leave the unit unattended when the power plug is plugged in.** Always unplug the power cord if you do not use the unit, move the unit, remove individual components or clean the unit.

### Cleaning and care instructions

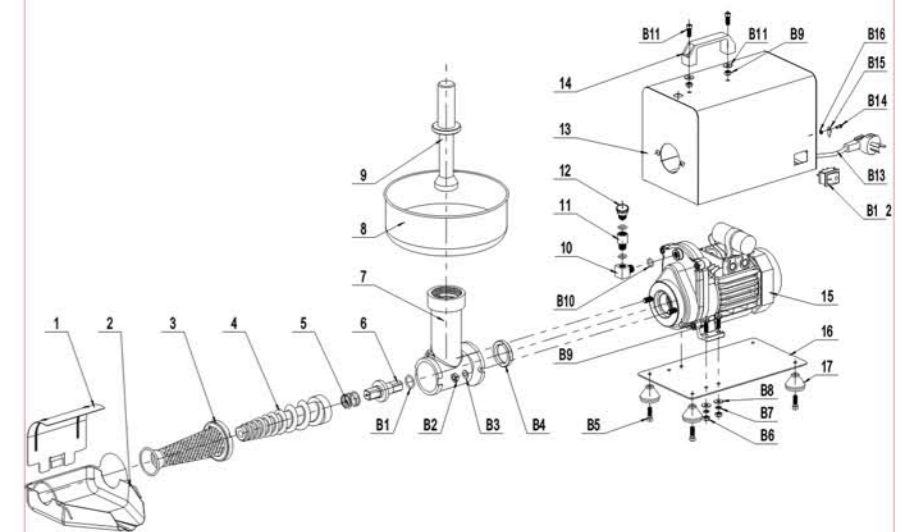
The machine must be thoroughly cleaned before first use. Pay particular attention to cleaning the parts that come into direct contact with food.

After use, the machine must be thoroughly cleaned to prevent the formation of bacteria.

We recommend that the gears, gasket and cylinder interior are lightly moistened with cooking oil after each cleaning.

**Always disconnect the mains plug before cleaning.**

### ETC-1C PART LIST



NO.	DES.	QTY	NO.	DES.	QTY
1	Trough Brace	1	B1	O Ring	1
2	Trough	1	B2	Hex Nut M8	2
3	Filter	1	B3	Flat Washer 8	2
4	Screw Feeder	1	B4	Oil Seal	1
5	Drive Spring	1	B5	Hexagon Screw	4
6	Drive Shaft	1	B6	Hex Nut M6	4
7	Body	1	B7	Standard Spring Washer	4
8	Funnel	1	B8	Flat Washer 6	6
9	Pestle	1	B9	Hexagon Bolt with Flange	4
10	Conector1	1	B10	O Ring	3
11	Conector2	1	B11	Hexagon Screw	6
12	Oil Hole Bolt	1	B12	Switch	1
13	Motor Cover	1	B13	Power Line	1
14	Square Handle	1	B14	Hexagon Screw M14×10	1
15	Gearbox Assembly	1	B15	Card	1
16	Bottom Panel	1	B16	Hex Nut M4	1
17	Rubber Feet	4			