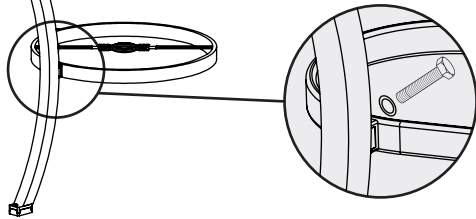


# WINSTON®

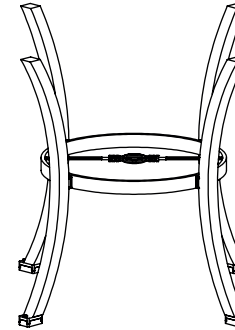
## Assembly Instructions: Round 42" Counter Table HQ3042BWTk (WA1CE42)

**1**



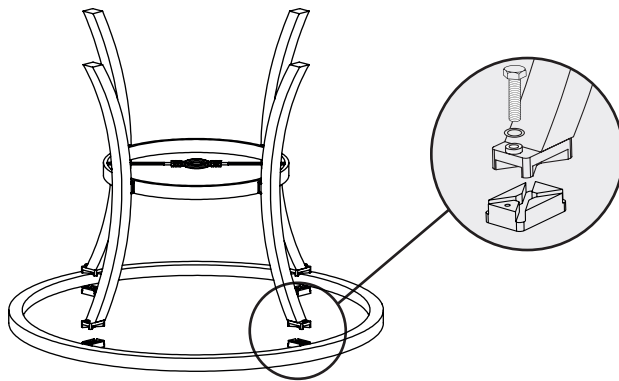
Assemble the leg on the rim using a **1.25"** bolt and a flat washer. Finger tighten only.

**2**

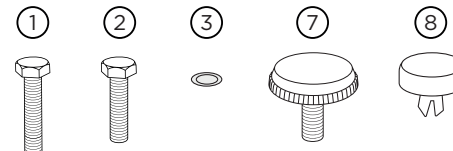
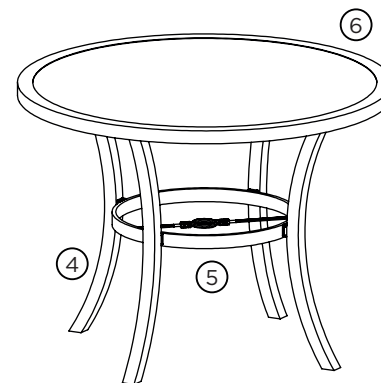


Assemble remaining legs using the same method.

**3**



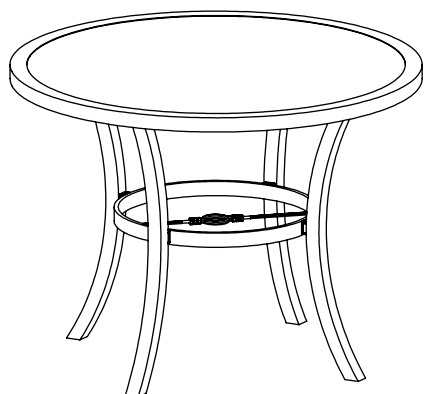
Place the base over the table top fitting the assembly brackets using **1"** bolts and flat washers. Once all brackets are fitted, confirm legs are attached at correct angle and fully tighten all bolts.



See parts list on reverse.

# WINSTON®

## Assembly Instructions: Round 42" Counter Table WA1CE42



See separate warranty and care  
maintenance information.

# WINSTON®

AUG/11/2021

## Parts list

Before assembly, identify all parts packed in the carton against the parts list. Remove all protective materials and place the parts on a non-abrasive surface to avoid scratching.

More than one person may be required to assemble the product.

WA1CE42			
N°	Code	Part	Qty
1	SC1.25H	1.25" Hex bolt	4
2	SC1H	1" Hex bolt	4
3	WASC	.25" Flat Washer	8
4	LEGSCET48	Legs	4
5	RIMSCET48	Rim	1
6	TWA1CE42BRU	Table Top	1
7	XGLID	Adjustable Glides*	2
8	XPOPC2	Plastic Cap**	4

\* One leg comes with an adjustable glide already installed, +1 extra loose adjustable glide for future use if needed.

\*\* Three legs come with a plastic cap already installed, +1 extra loose plastic cap for future use if needed.