

NOTICE

- * Please make sure that you have all parts indicated and they are in good condition before you begin assembly of this item. Refer to part list and hardware list below for guidance.
- * This item should be assembled on a soft surface to prevent scratching the finish during assembly.
- * This item may require periodic tightening.
- * If you are having difficulty, our friendly Customer Care team is always here to help. Please email customersupport@safavieh.com

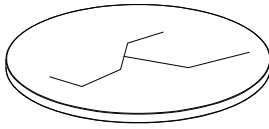
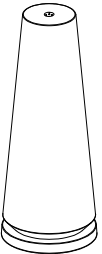
PREPARATION

- * Before beginning assembly of product, make sure all parts are present. Compare parts with part contents list and hardware contents list.
- * If any part is missing or damaged, do not attempt to assemble the product.
- * Estimated Assembly Time: 10 minutes.
- * Require 1-2 person for assembly.

CARE AND MAINTENANCE

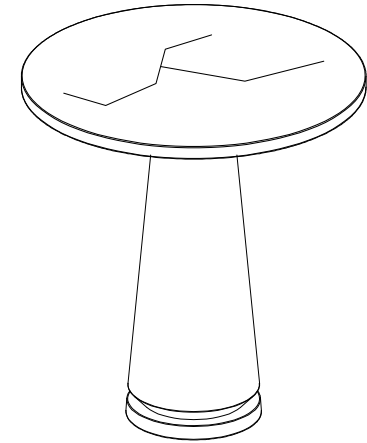
- Blot up spills immediately, always use coasters on table tops under beverages. Use trivets or mats under hot dishes or cookware. Clean with warm water and dry surface immediately after cleaning. Do not use cleaners that contain acid such as bathroom cleaners, grout cleaner, and tile cleaners. Do not use abrasive cleaners in either dry or liquid forms. Use a cleaner and polish formulated for marble surfaces.

PARTS & HARDWARE LIST

Piece	Description	Picture	Quantity	Carton call
A	Round Marble Top		1x	1 of 2
B	Base		1x	2 of 2

ITEM ID : SFV9703

PRODUCT DIMENSION : 20.5"WX20.5"DX23.5"H



⚠ WARNING ⚠

Weight Capacity : 56.25 lbs

WARNING : DO NOT SIT ON THE ACCENT TABLE

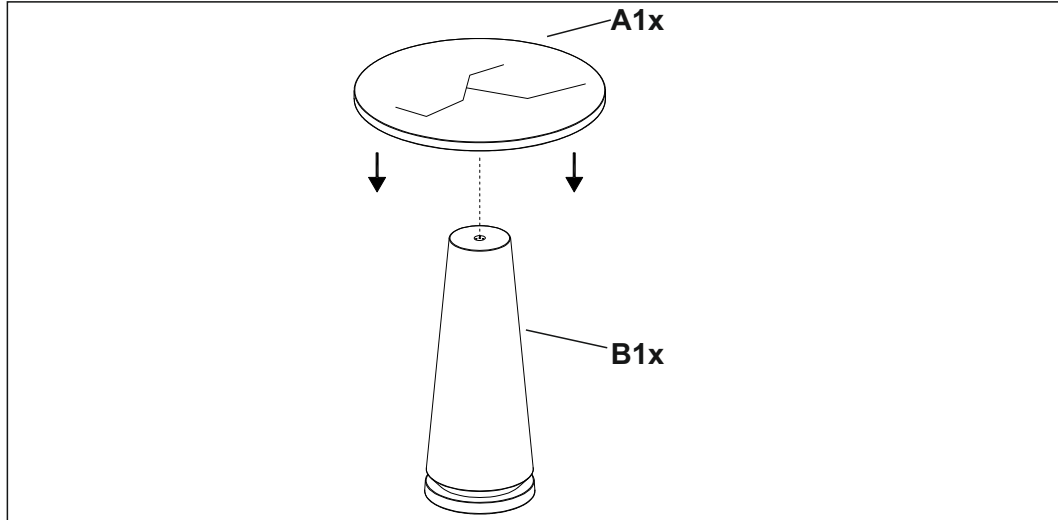
WARNING : DO NOT OVER TORQUE BOLTS/SCREWS

WARNING : DO NOT DRAG THE ACCENT TABLE

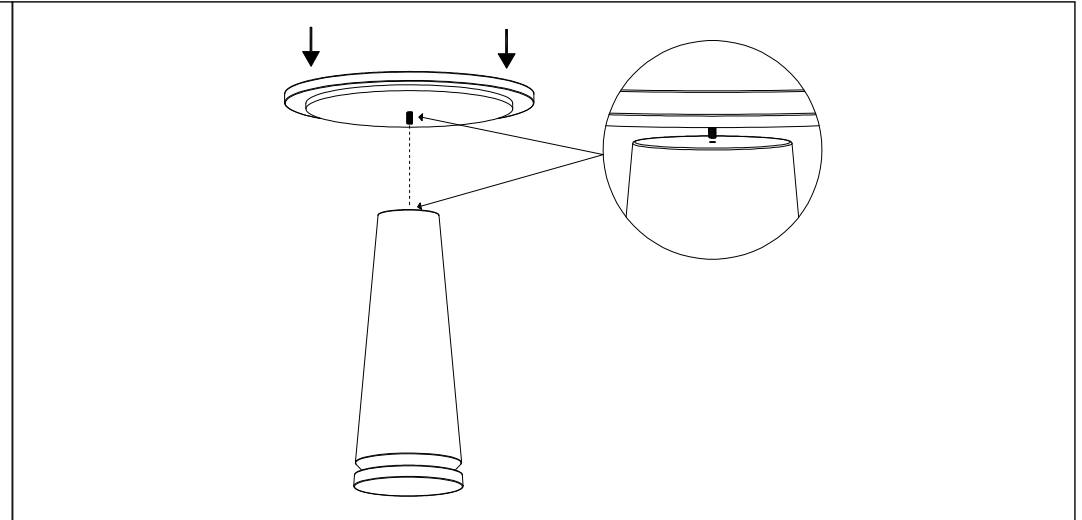
WARNING : HEAVY PRODUCT

PREPARATION

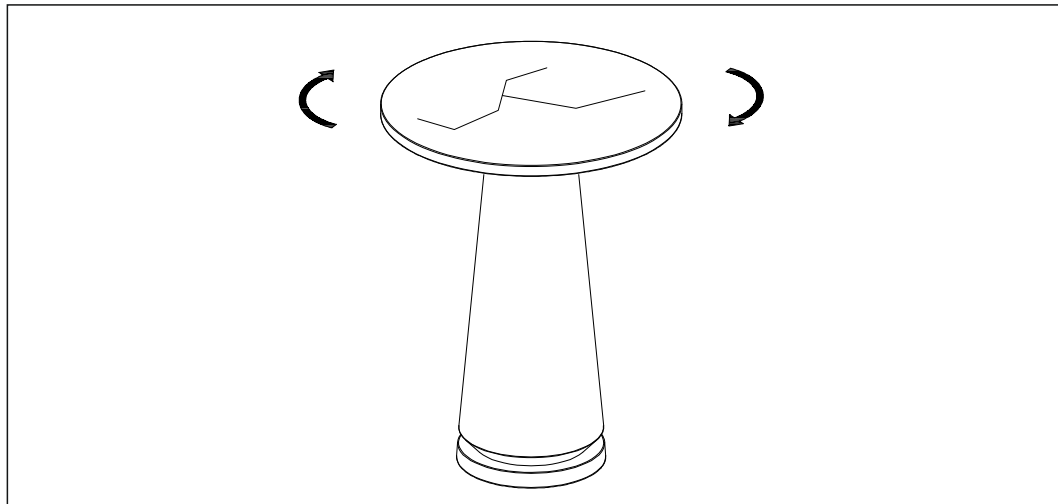
- * Before beginning assembly of product, make sure all parts are present. Compare parts with part contents list and hardware contents list.
- * If any part is missing or damaged, do not attempt to assemble the product.
- * Estimated Assembly Time: 10 minutes.
- * If you are having difficulty, our friendly Customer Care team is always here to help. Please email customersupport@safavieh.com



STEP 1: Carefully place the base on a flat surface & carefully place the top over the base as shown.



STEP 2: Align the screw threads of the base to the screw in the top.



STEP 3: Gently rotate the top in a clockwise direction until firmly screwed in.

*Note-Tightening too much can damage the base insert.