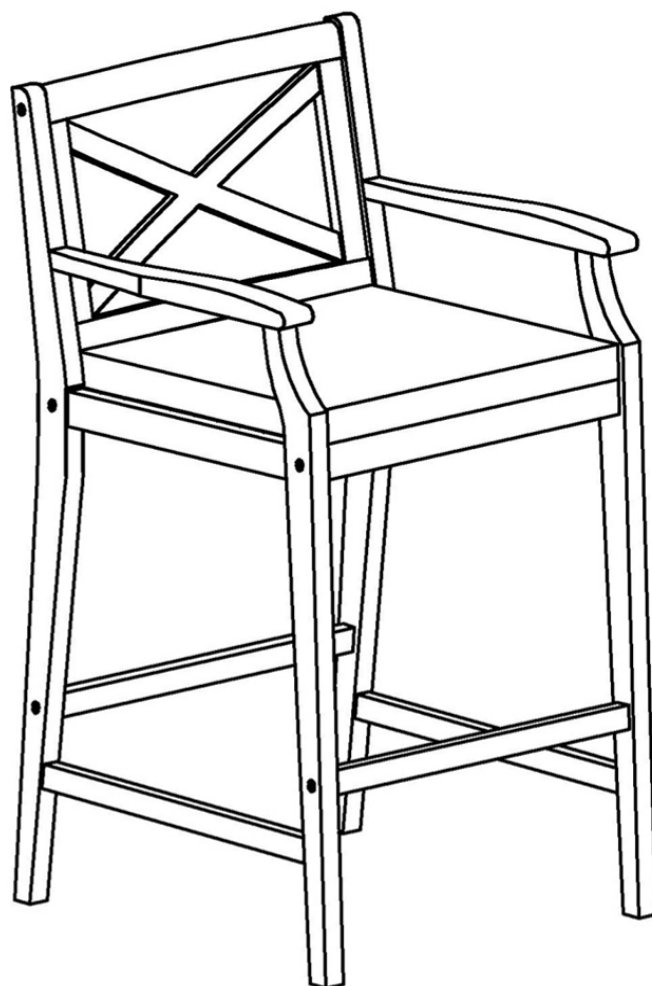


Assembly Instructions



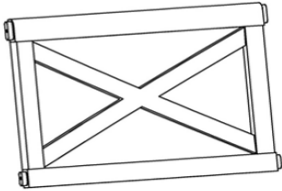
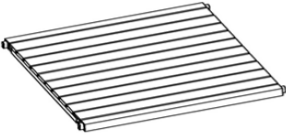


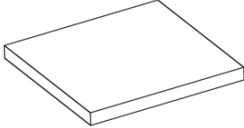
Caution: You must read this before you proceed

Please look in the Seat Panel for hardware packs.



Chair



Parts List

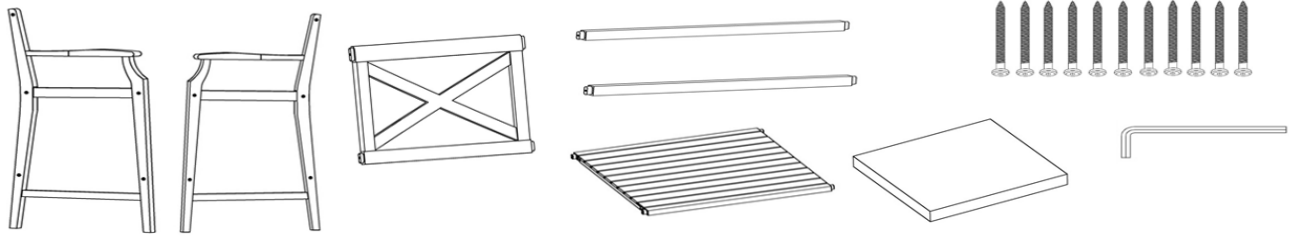
No.	Picture	Description	QTY
A		Left Leg Panel	1
B		Right Leg Panel	1
C		Backrest Panel	1
D		Seat Panel	1
E		Back Footrest	1
F		Front Footrest	1
G		Seat Cushion	1

Hardware

No.	Picture	Description	QTY
①		Allen Wrench	1
②		Screw (M6*60mm)	11

Assembly Preparation

Before Beginning Assembly:



- Read instructions, cover to cover-



- Have 2 adults on hand for assembly-



- Do not assemble on flooring or carpet-



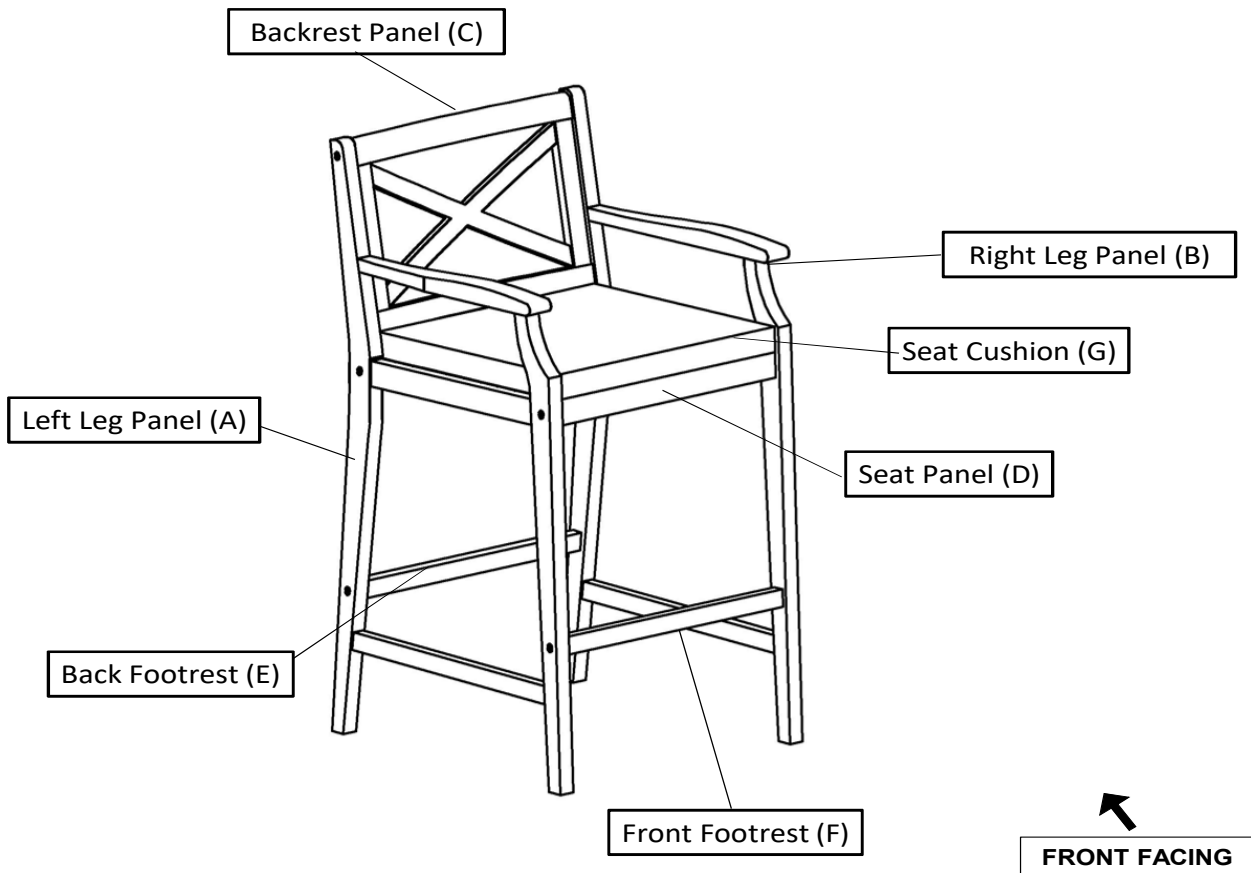
- Assemble on a clean non-marring surface (packing foam)-



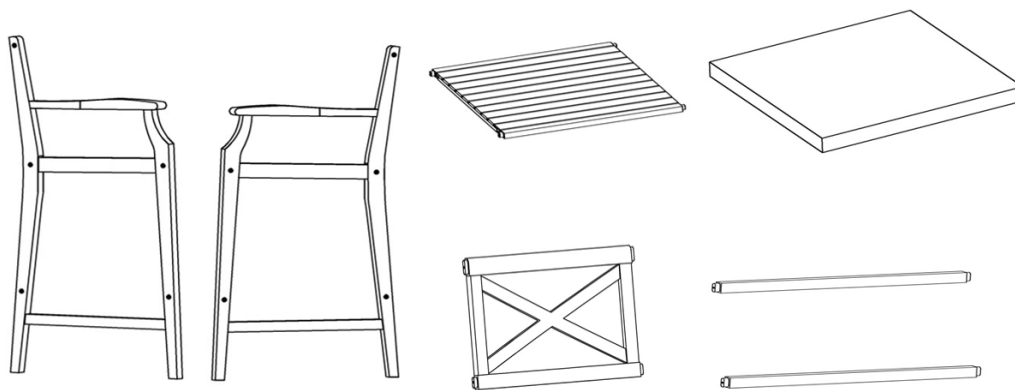
- Save all packaging until finished-

Assembly Steps

Overview

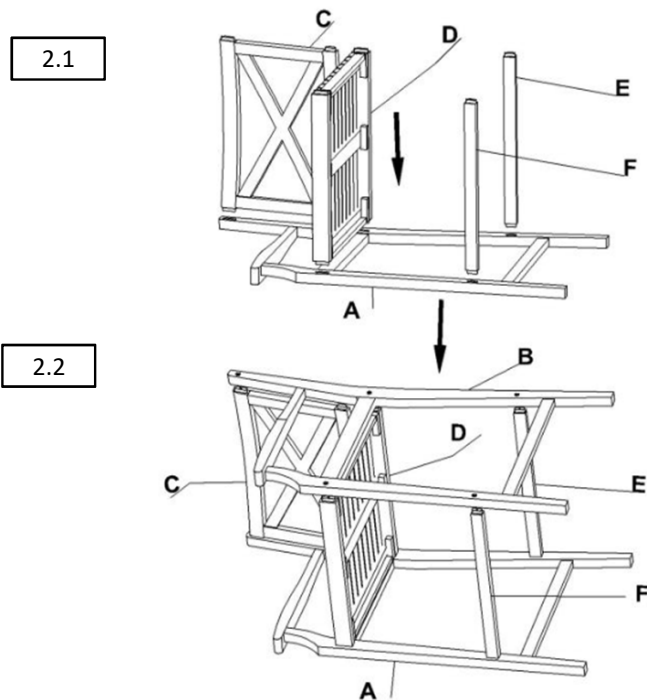


Step 1



Unpack and place all parts on a clean, non-marring surface.

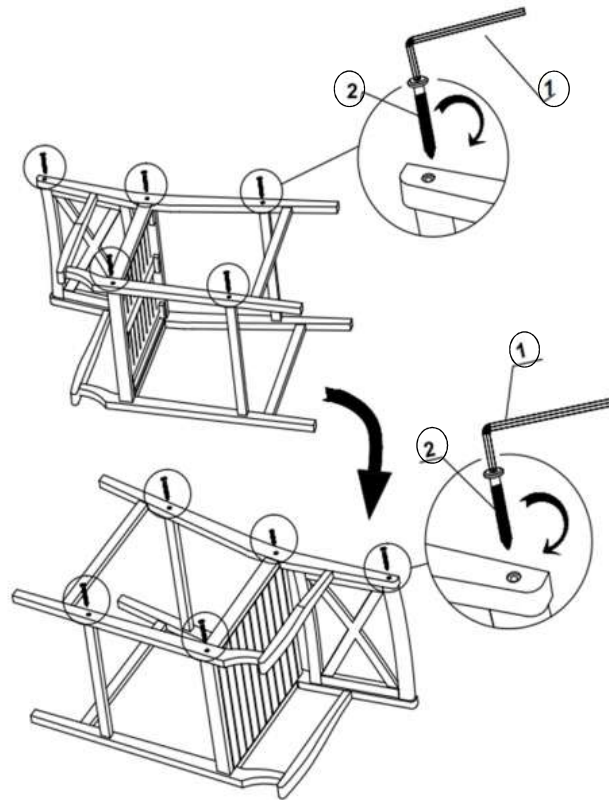
Step 2



2.1) Insert Backrest Panel(C), Seat Panel(D) and Footrests(E, F) onto Left Leg Panel(A) as shown above.

2.2) Insert Right Leg Panel(B) onto Backrest Panel(C), Seat Panel(D) and Footrests (E, F) as pictured.

Step 3

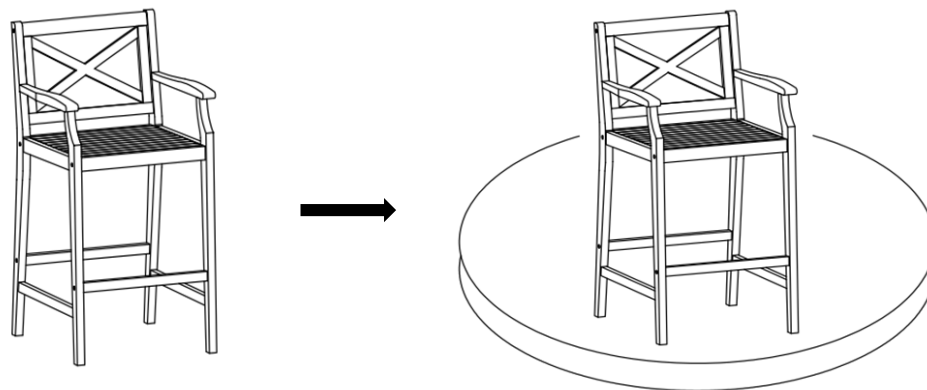


Attach Right Leg Panel(B) to Backrest Panel(C), Seat Panel(D) and Footrests(E, F) using Screws(2) with Allen Wrench(1). With assistance from your adult partner, carefully turn the Chair over onto the opposite side.

Attach Left Leg Panel(A) to Backrest Panel(C), Seat Panel(D) and Footrests(E, F) using Screws(2) with Allen Wrench(1).

Do not fully tighten the Screws.

Step 4



Stand the Chair up, with assistance from your adult partner.

Exert pressure floorwards, onto the Chair with both your hands.

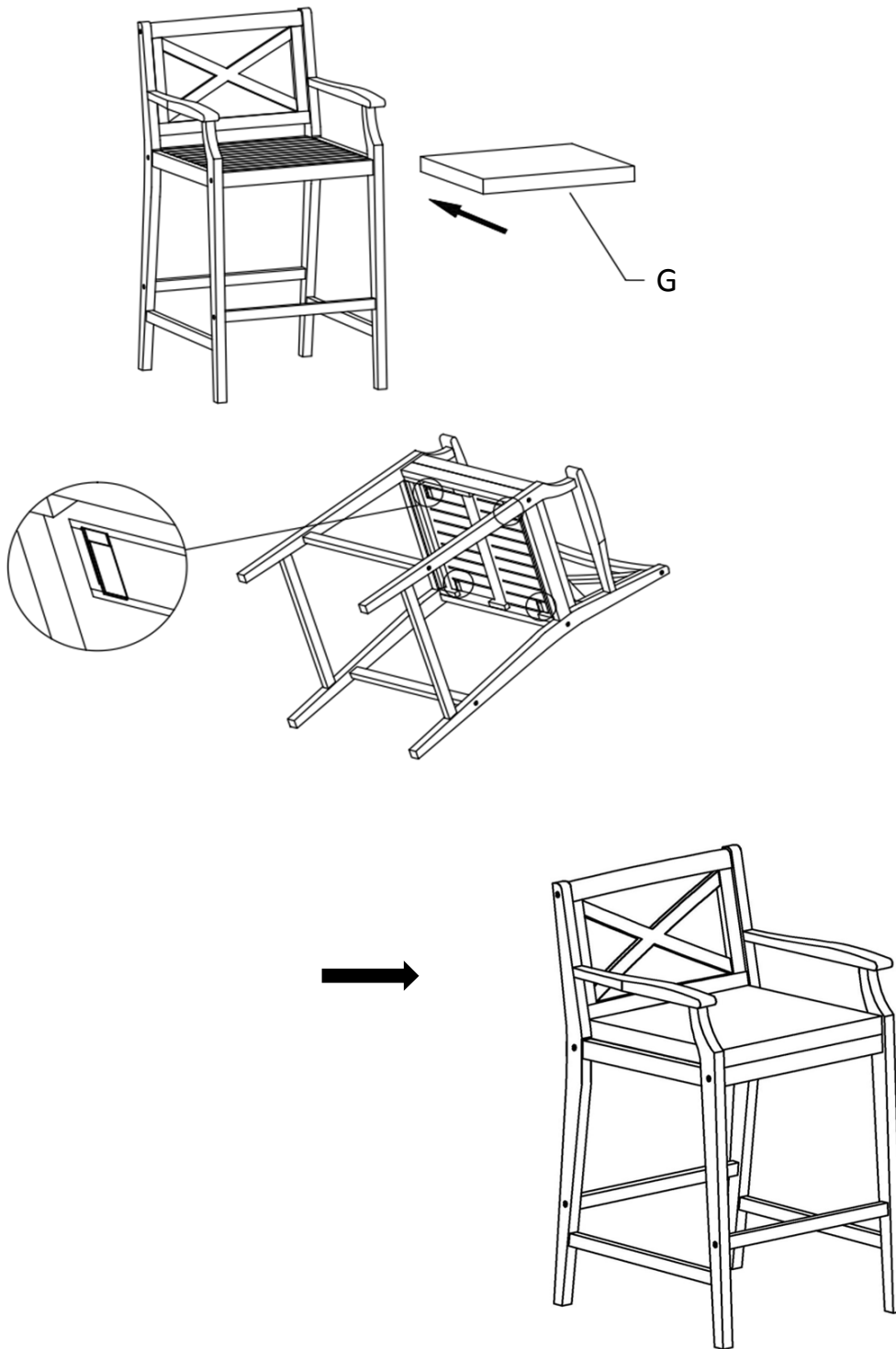
This pressure will help the Legs and Chair reach full alignment status.

Check for wobbles on a LEVEL surface.

If no wobbles are found proceed to tighten the Screws in a sequential manner, until evenly secured. When tightening the Screws tighten sequentially.










Do not tighten any Screw fully and then move on towards the next one. If there are still wobbles, loosen the Screws and excute the same above process.

Step 5



Inspect the Chair and make sure all parts are connected.
Place Seat Cushion(G) on to the Chair.
Lay the Chair down and Stick the Magic Tape straps on Seat Cushion(G) to Seat Panel(D) as shown above. Your Chair is ready for use.
This Chair can only be used on a flat, level surface.

Care & Maintenance

- ⊗  ● Do not put hot items directly on furniture surface.
- ⊗  ● Do not clean furniture with harsh cleansers or polish.
- ✓  ● To obtain the longest lifespan of your outdoor products, minimizing exposure to direct sunlight is recommended.
- ⊗  ● Children should not climb or jump on the furniture.
- ⊗  ● Do not write on furniture without a padded barrier to protect the surface.
- ✓  ● To obtain the longest lifespan of your outdoor products, avoid extended and lengthy exposure to rain, snow, and direct sunshine. Whenever possible cover the product and /or place under patio or awnings.
- ⊗  ● Not for commercial use. For residential use only.
- ⊗  ● Stains may be removed with mild soap solution and damp cloth.
- ✓  ● Dust and pick-up spills using a clean, non-colored, lint-free cloth .