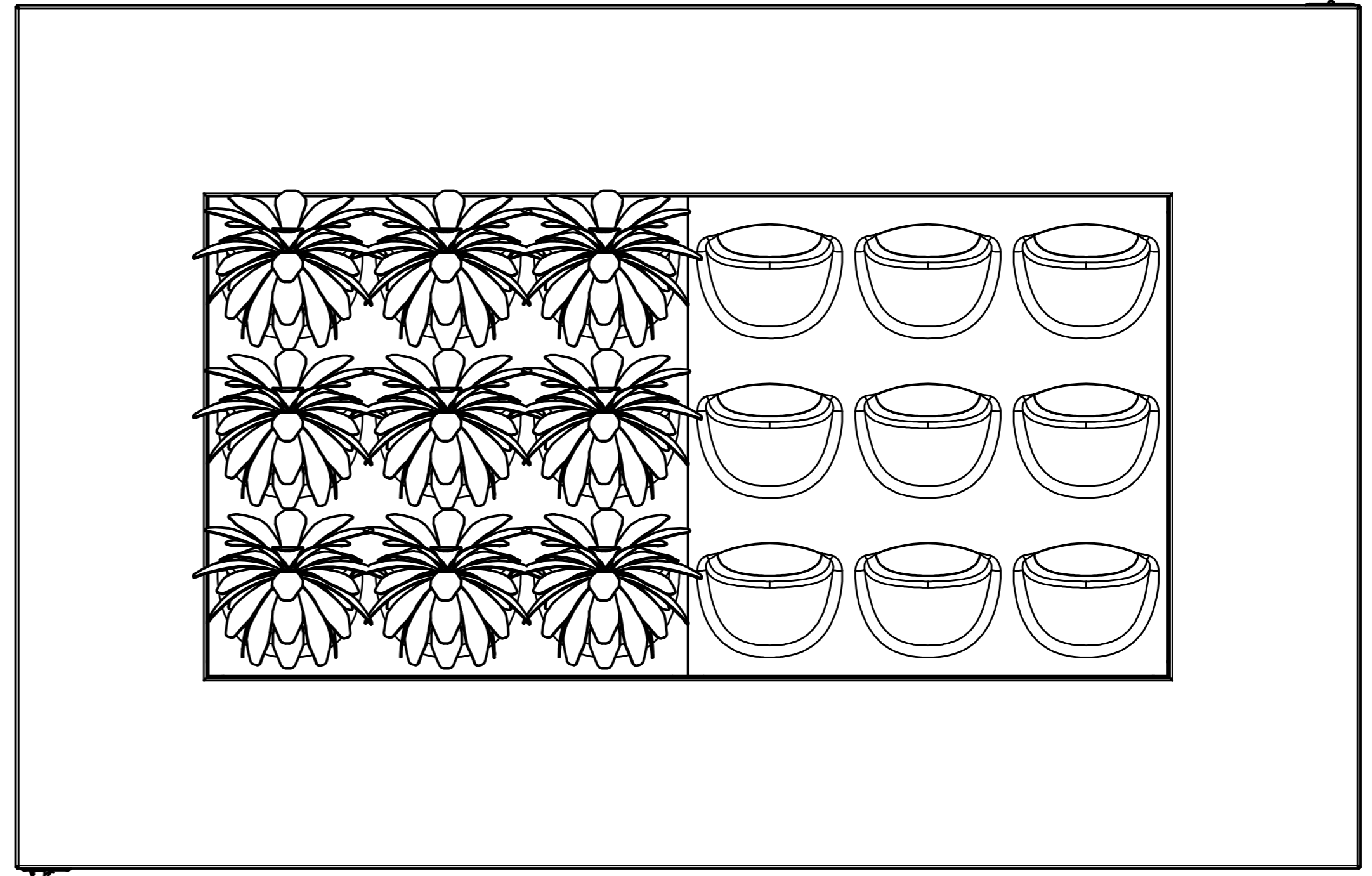
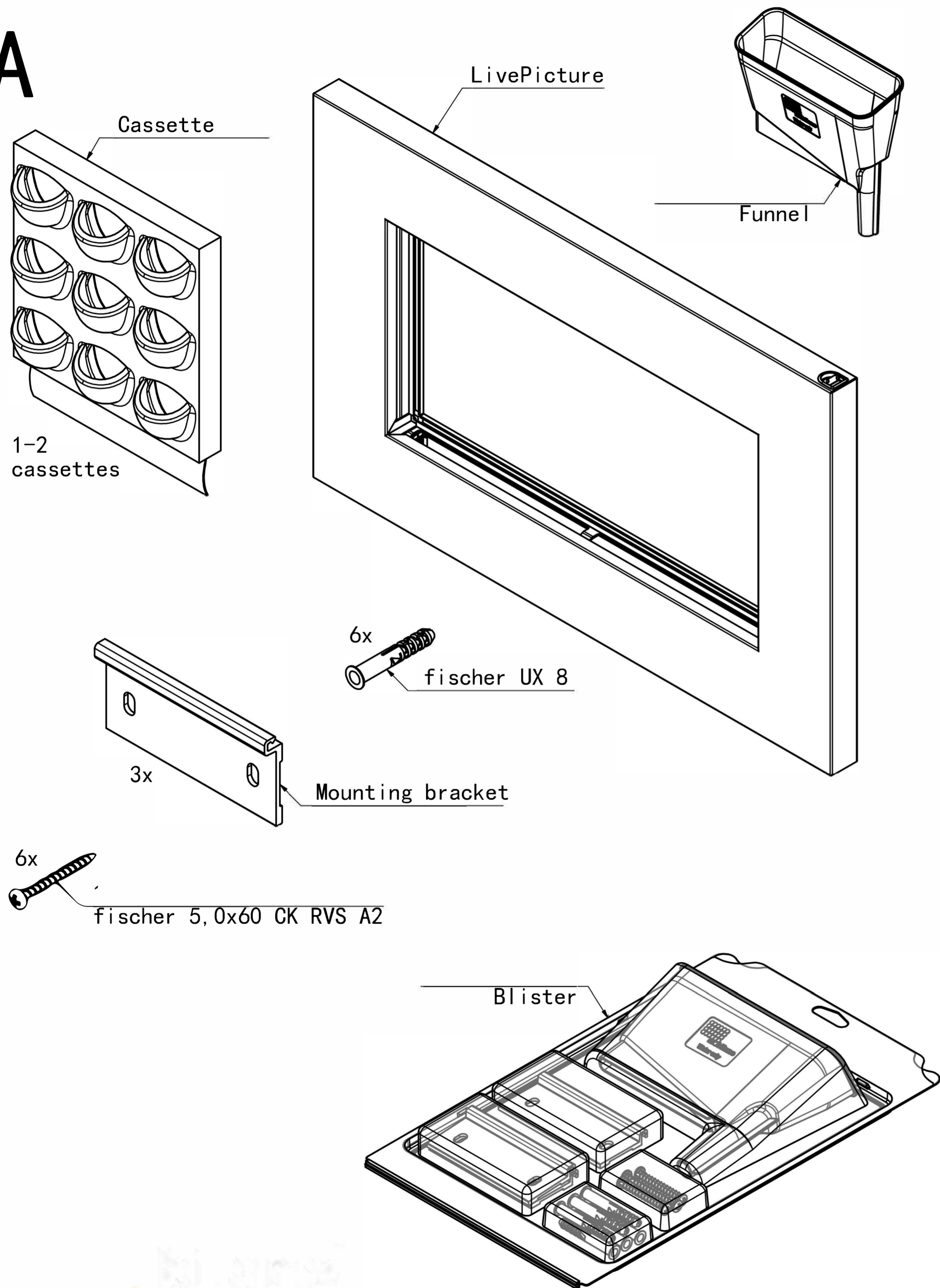


LivePicture 1

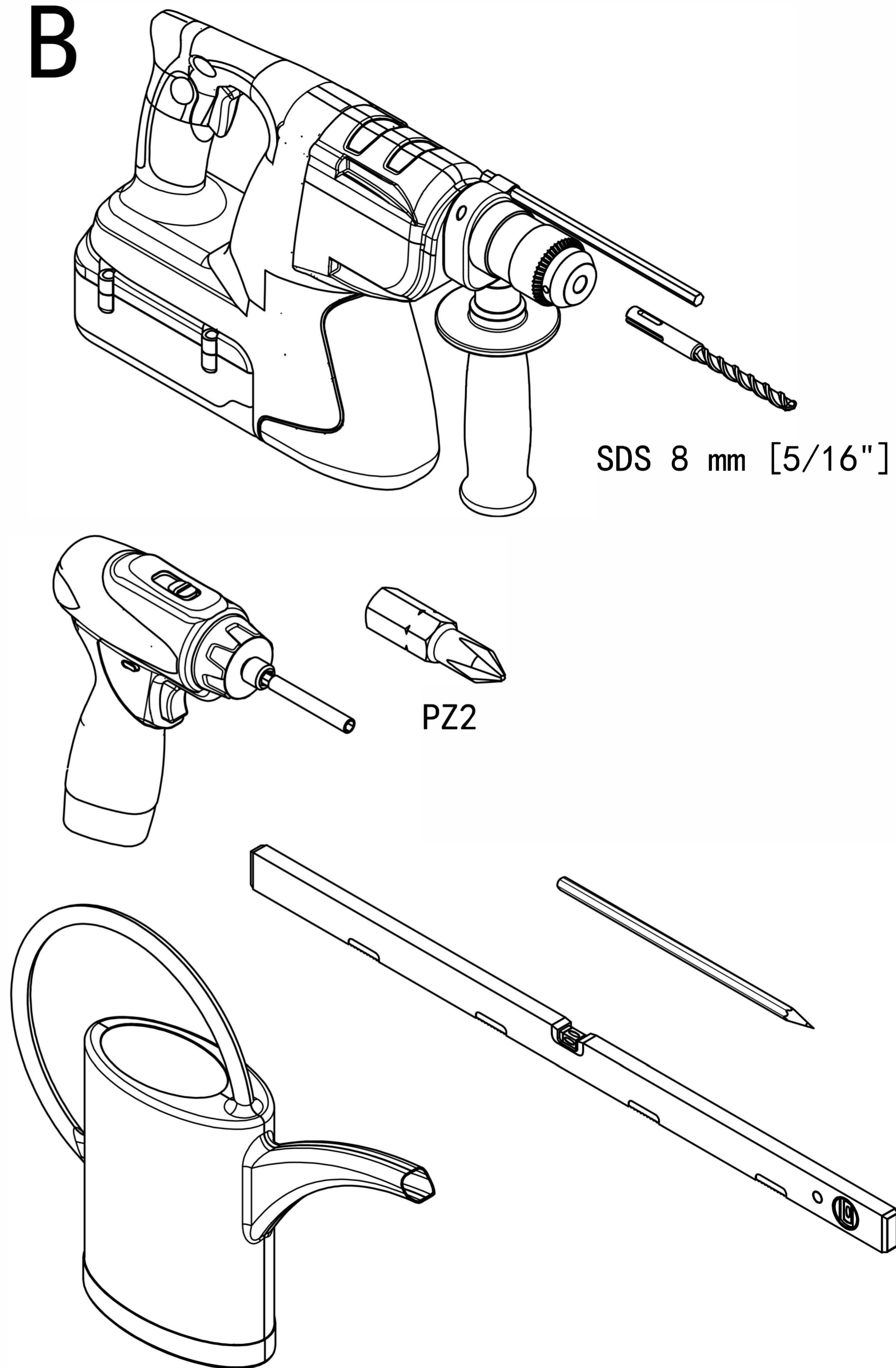


LivePicture 2

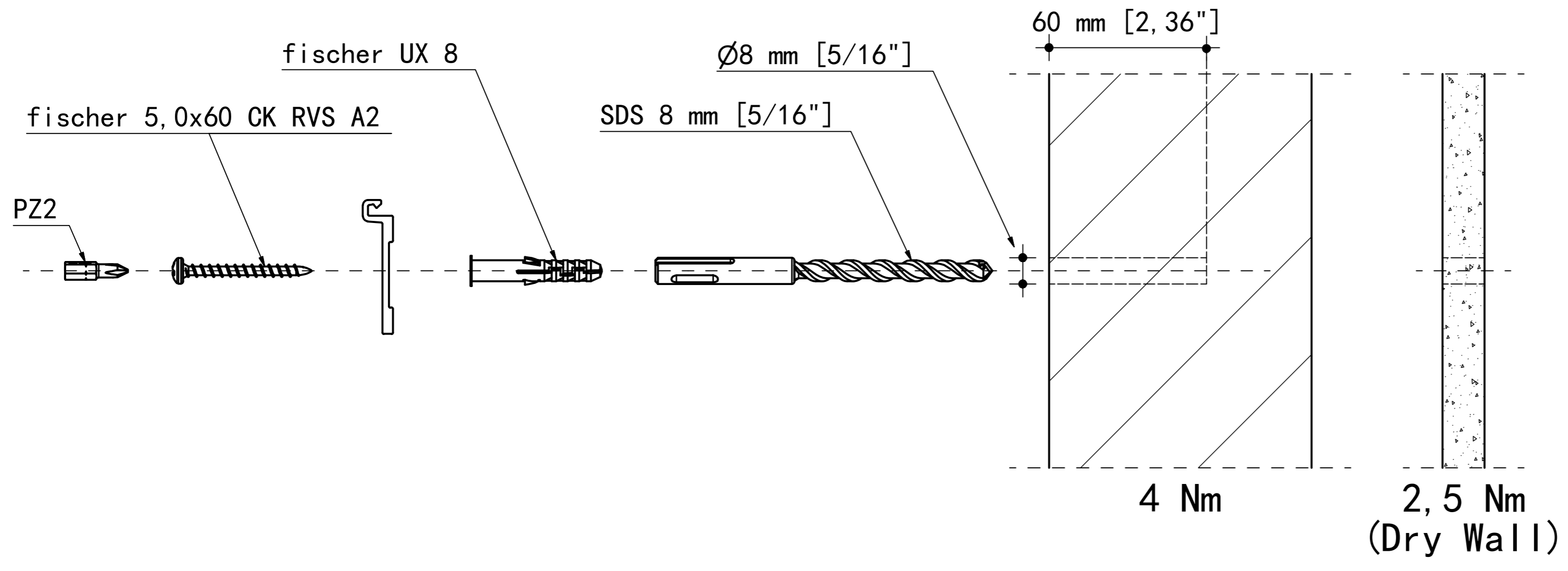
# A



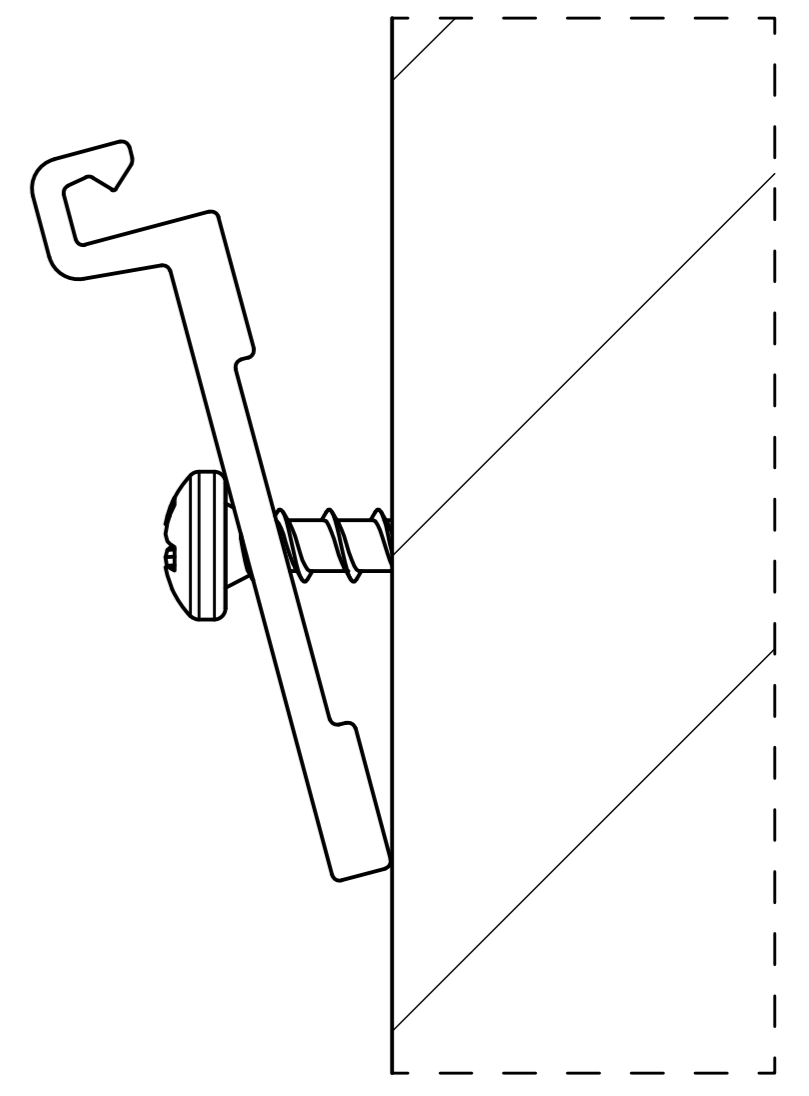
# B



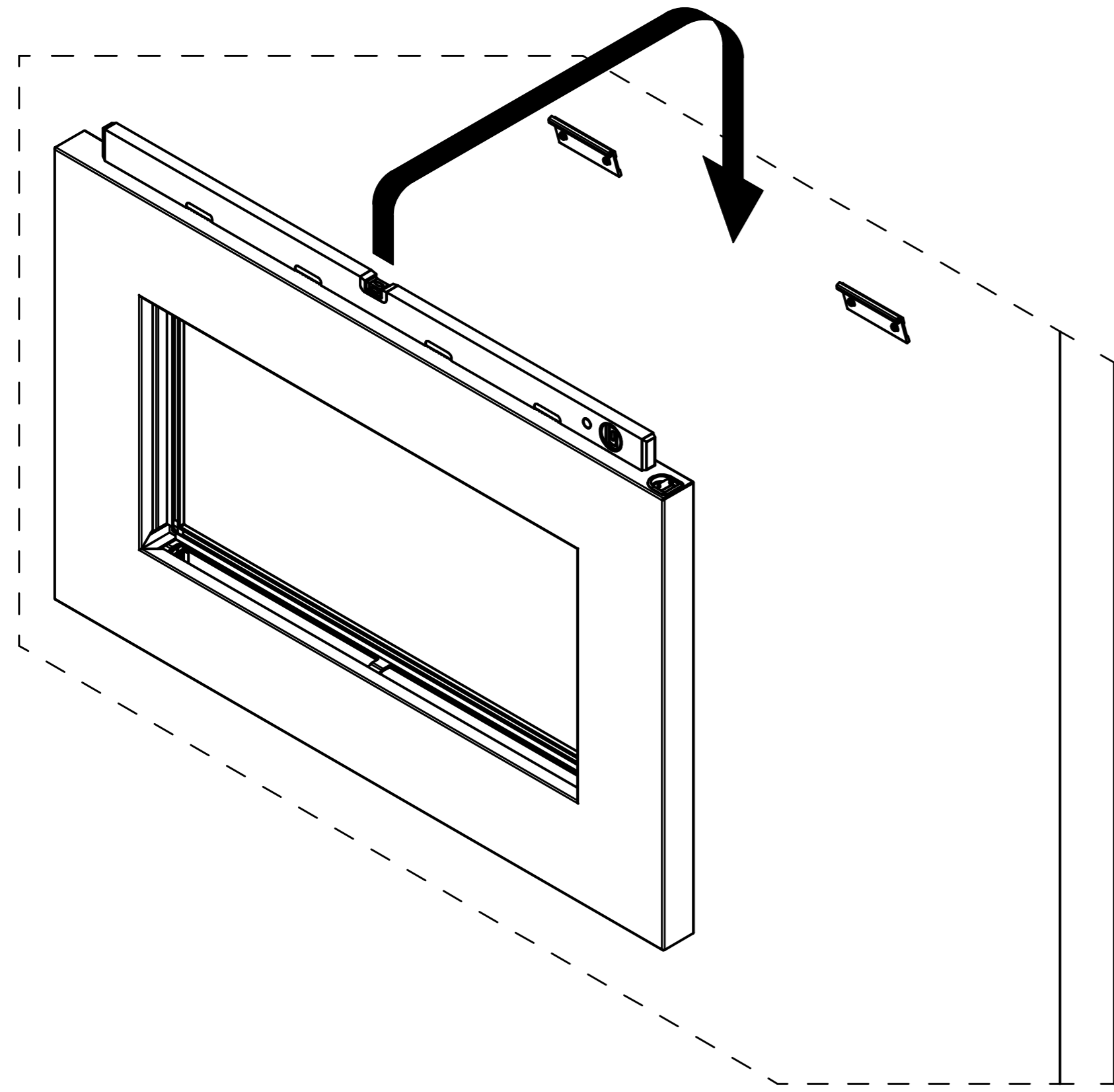
1



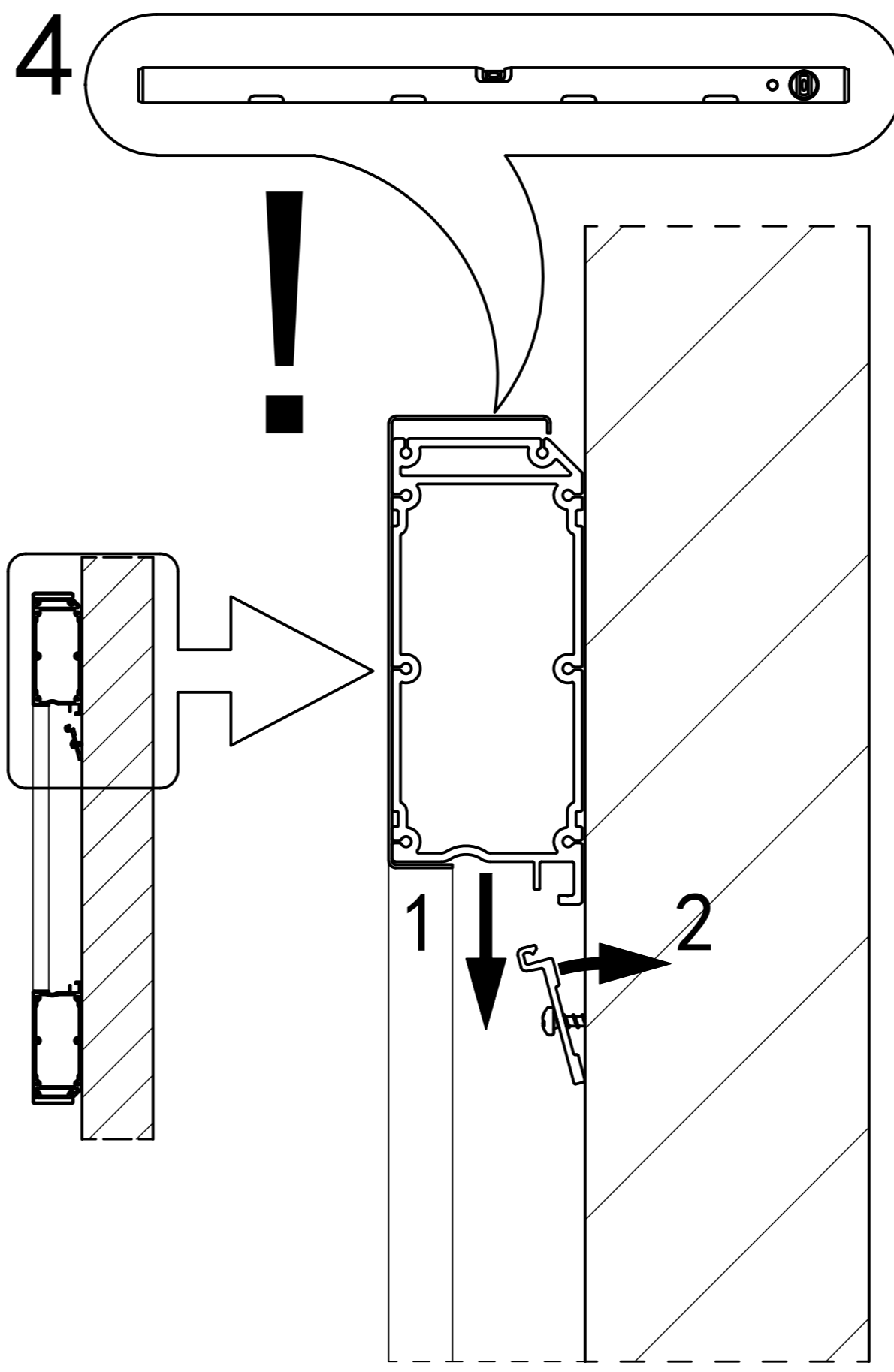
2



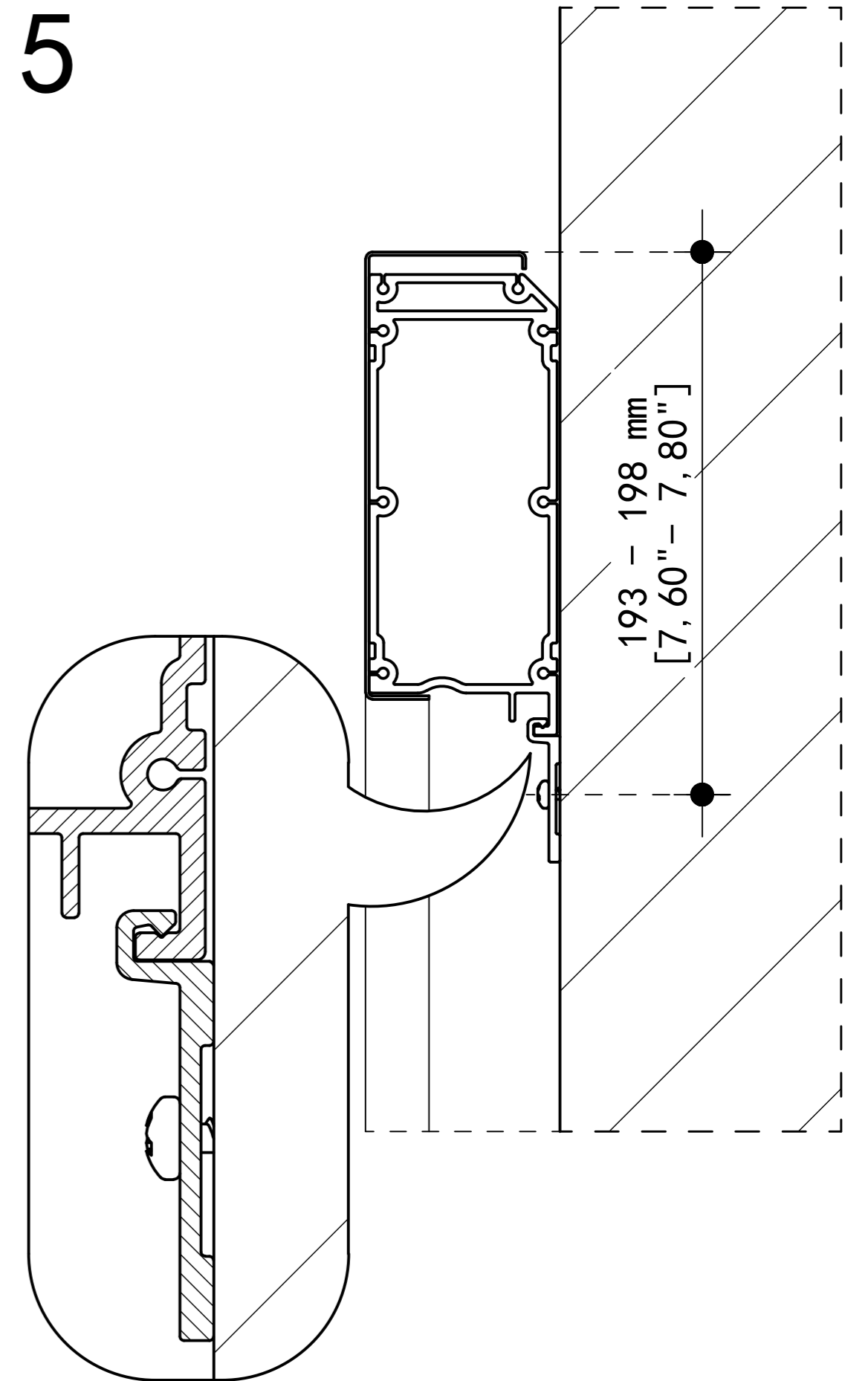
3



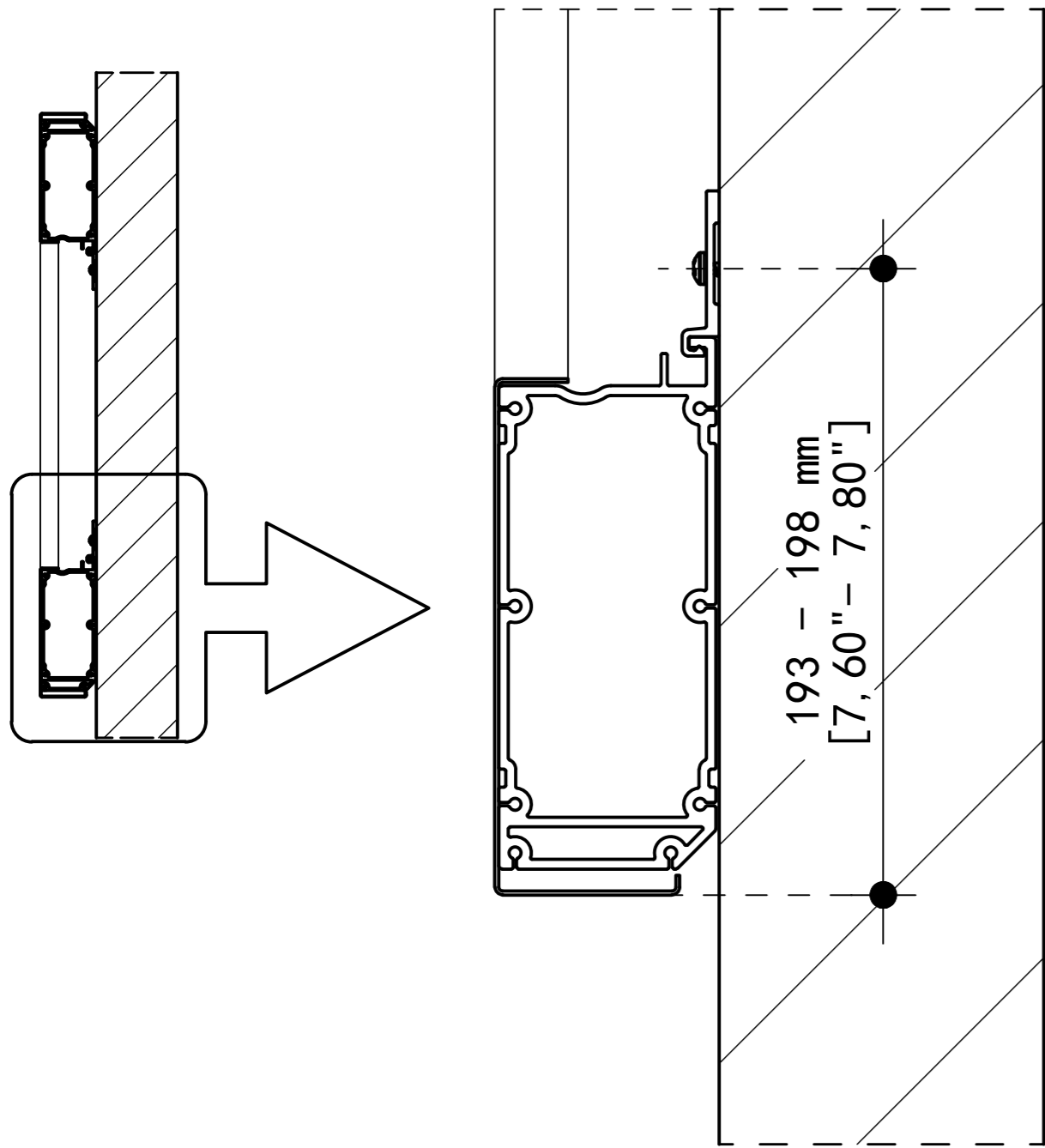
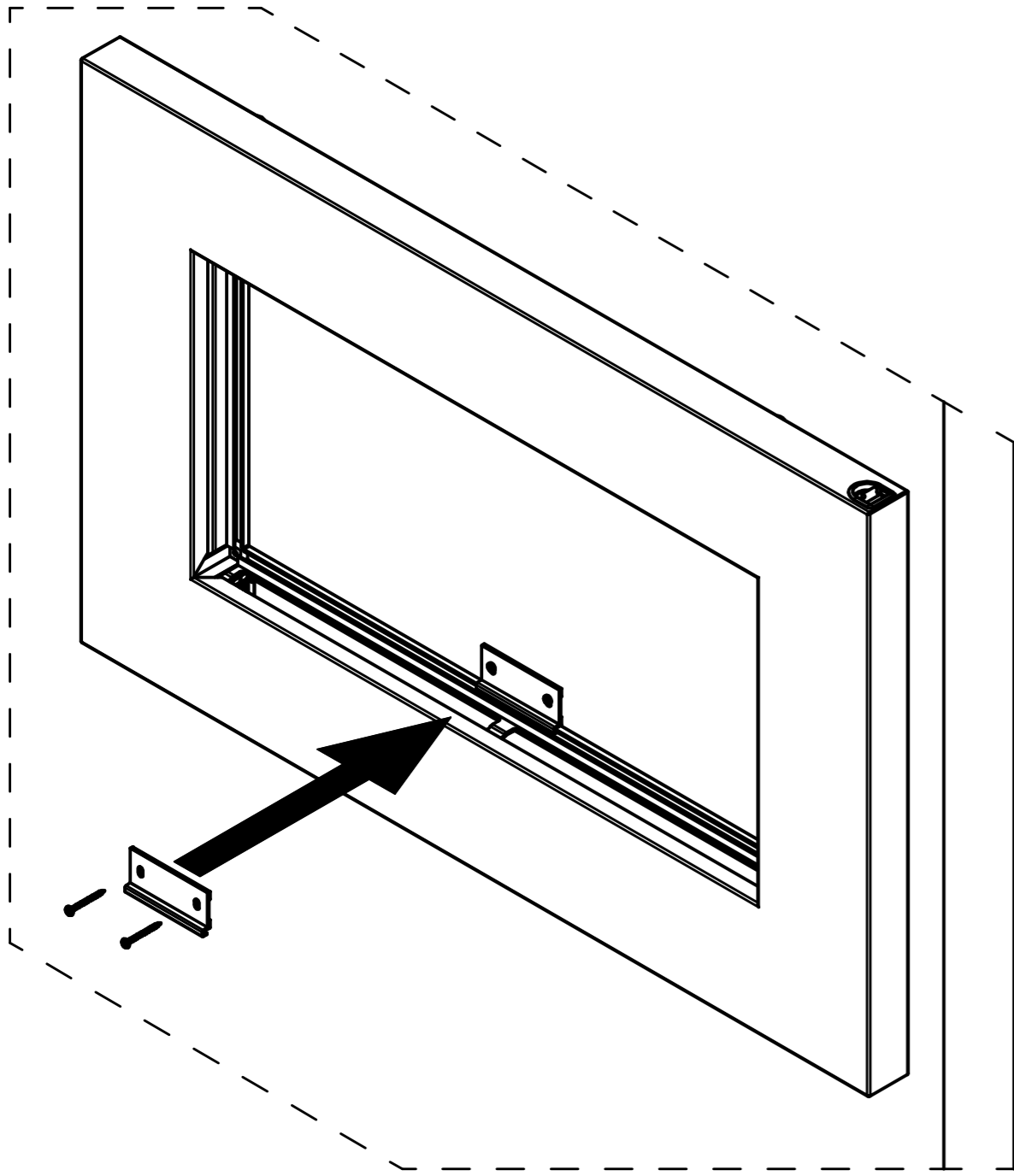
4



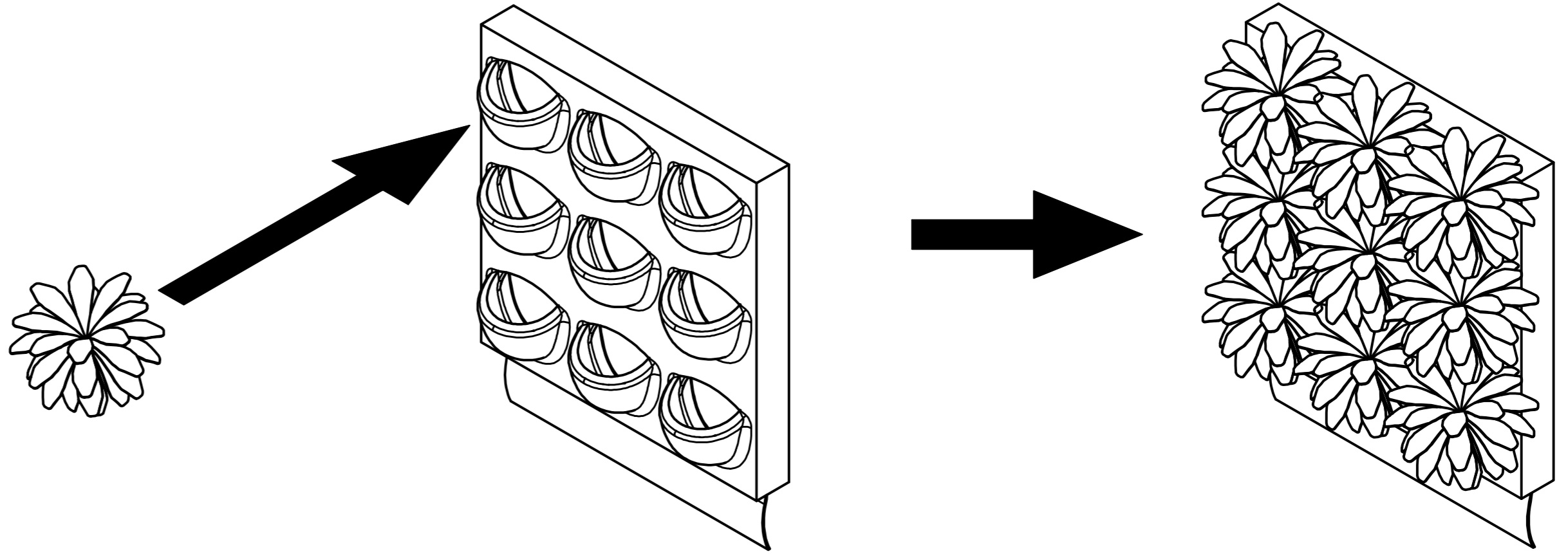
5



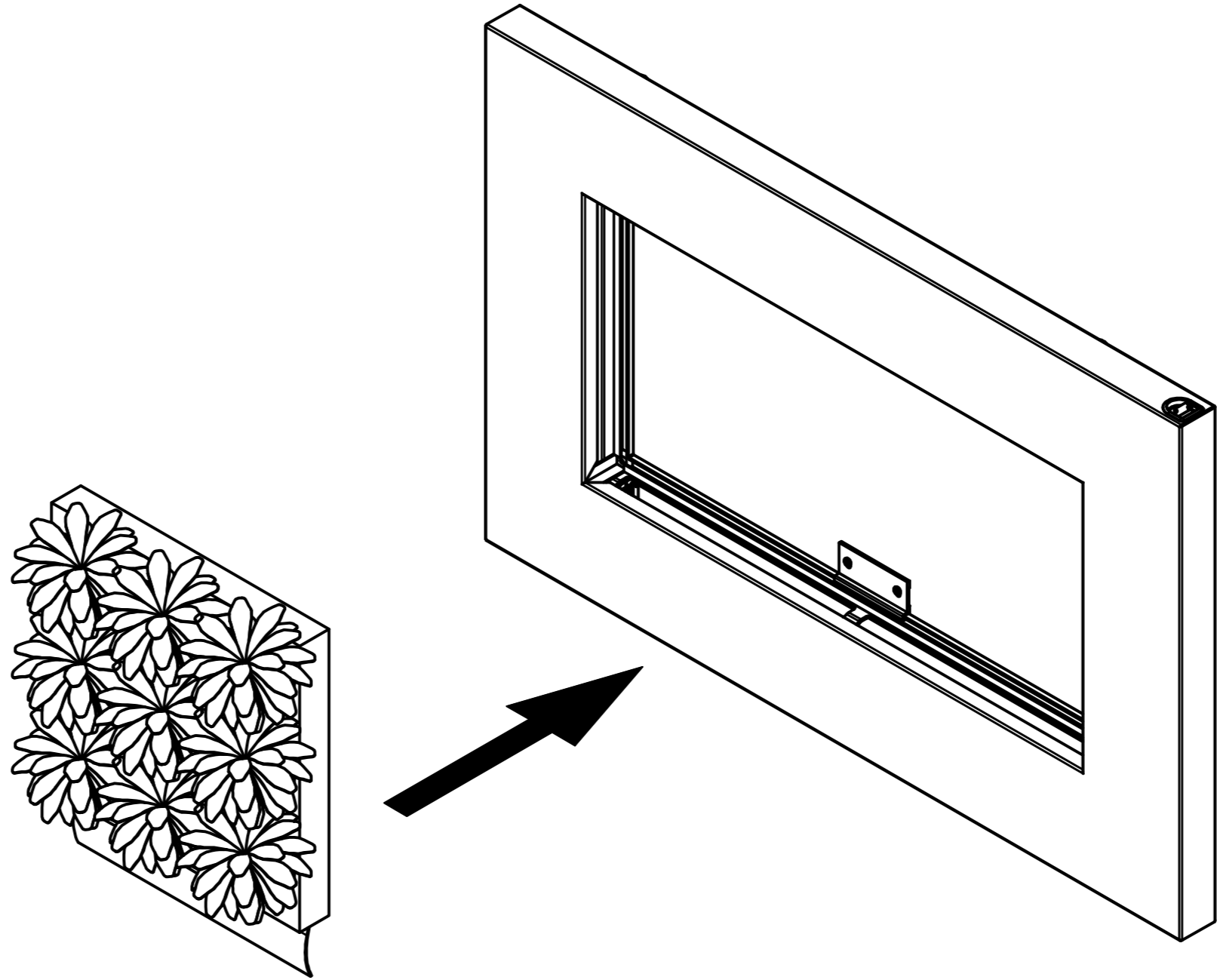
6



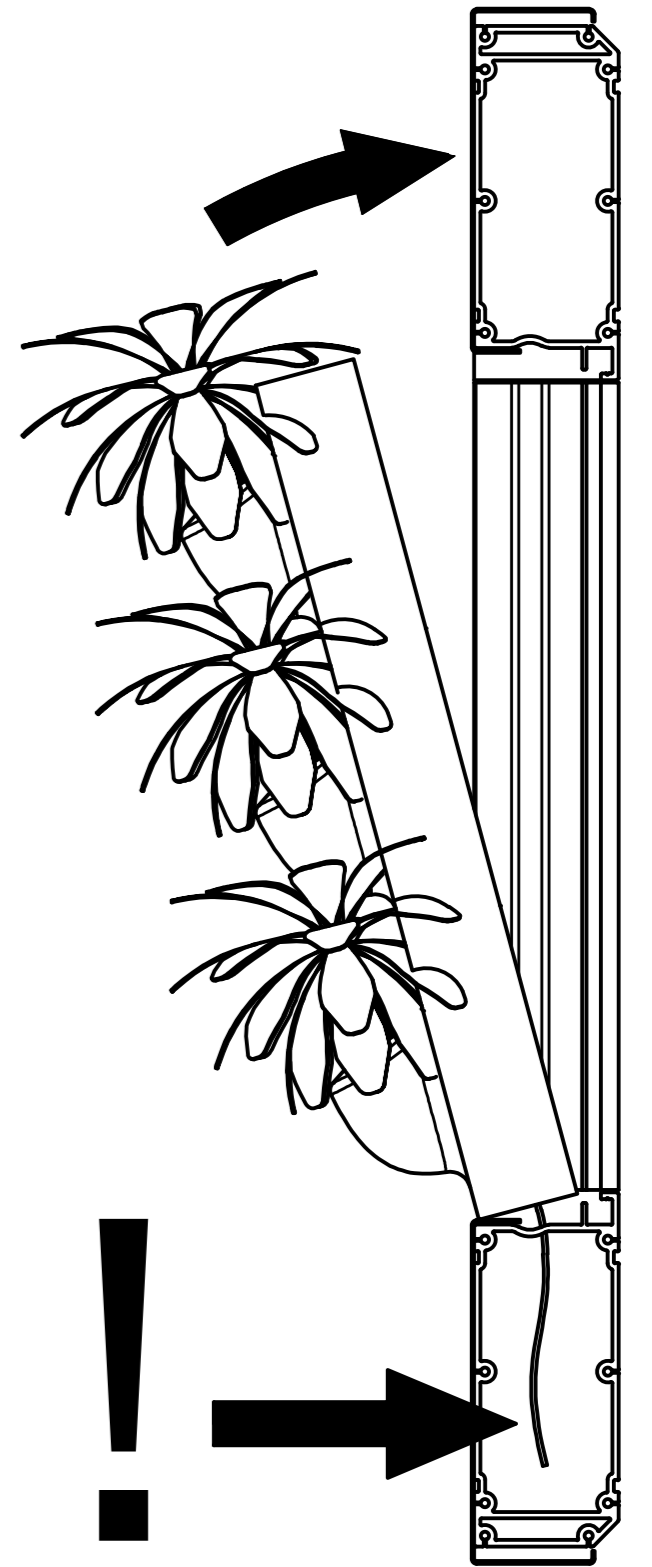
7



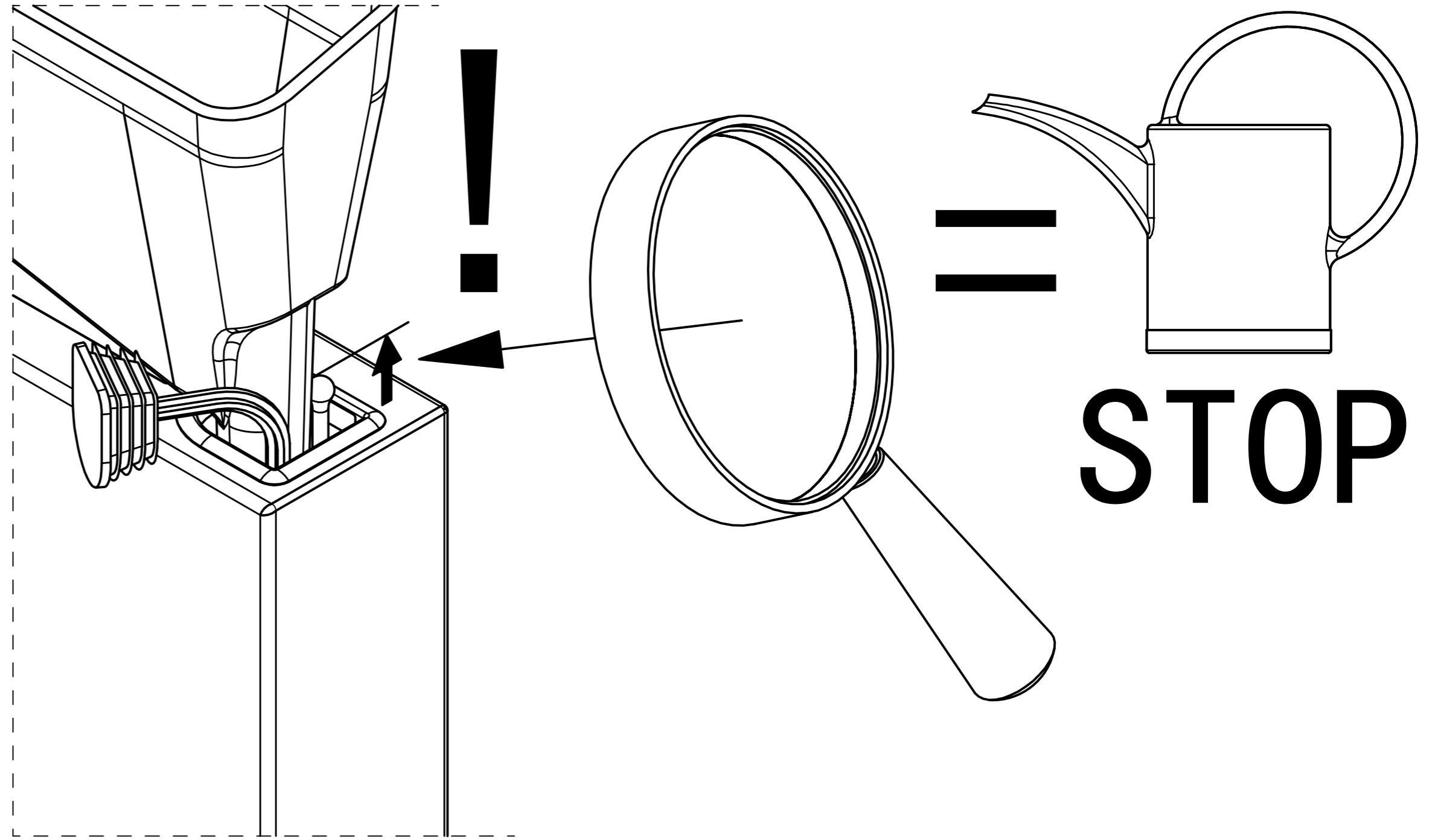
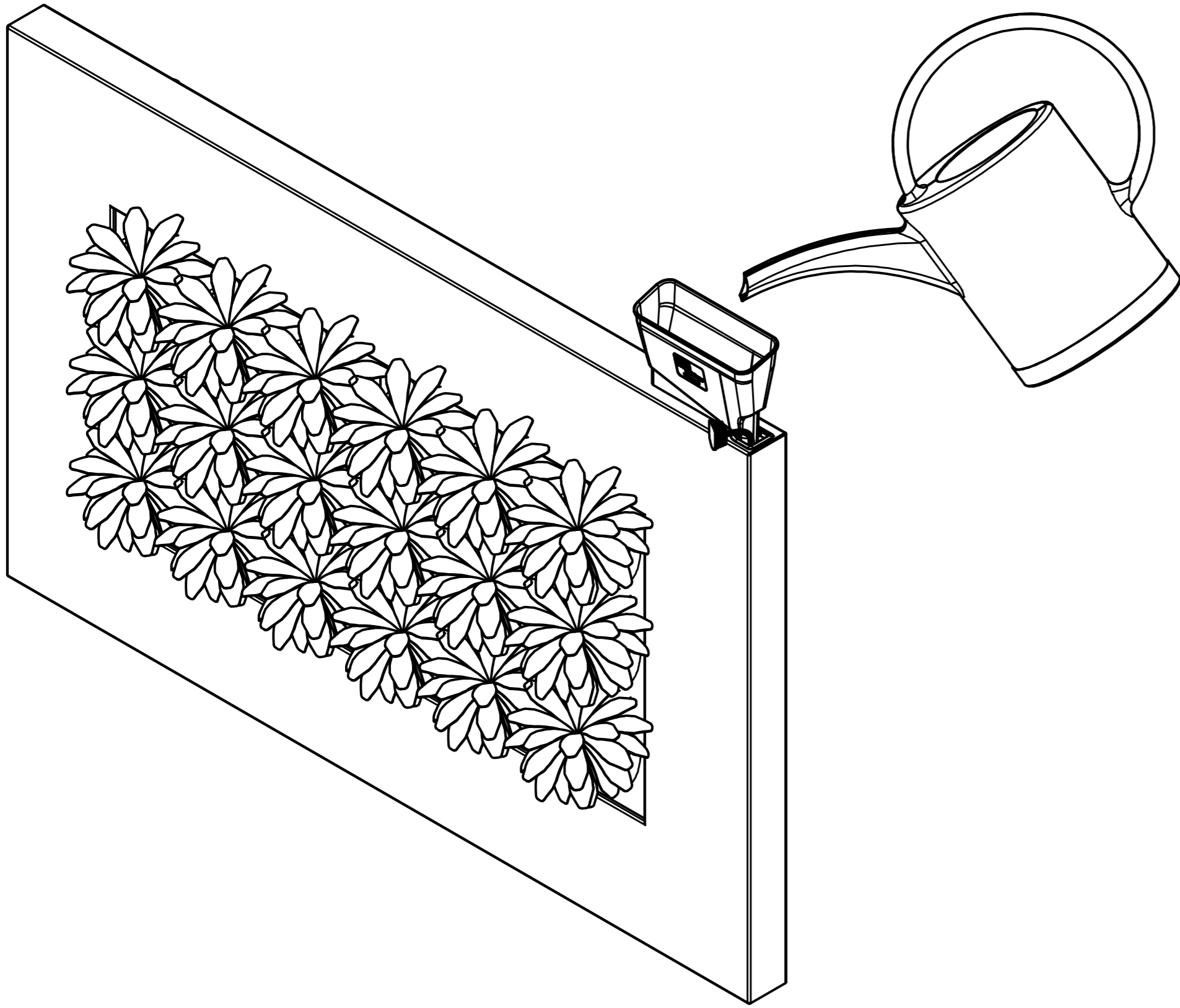
8



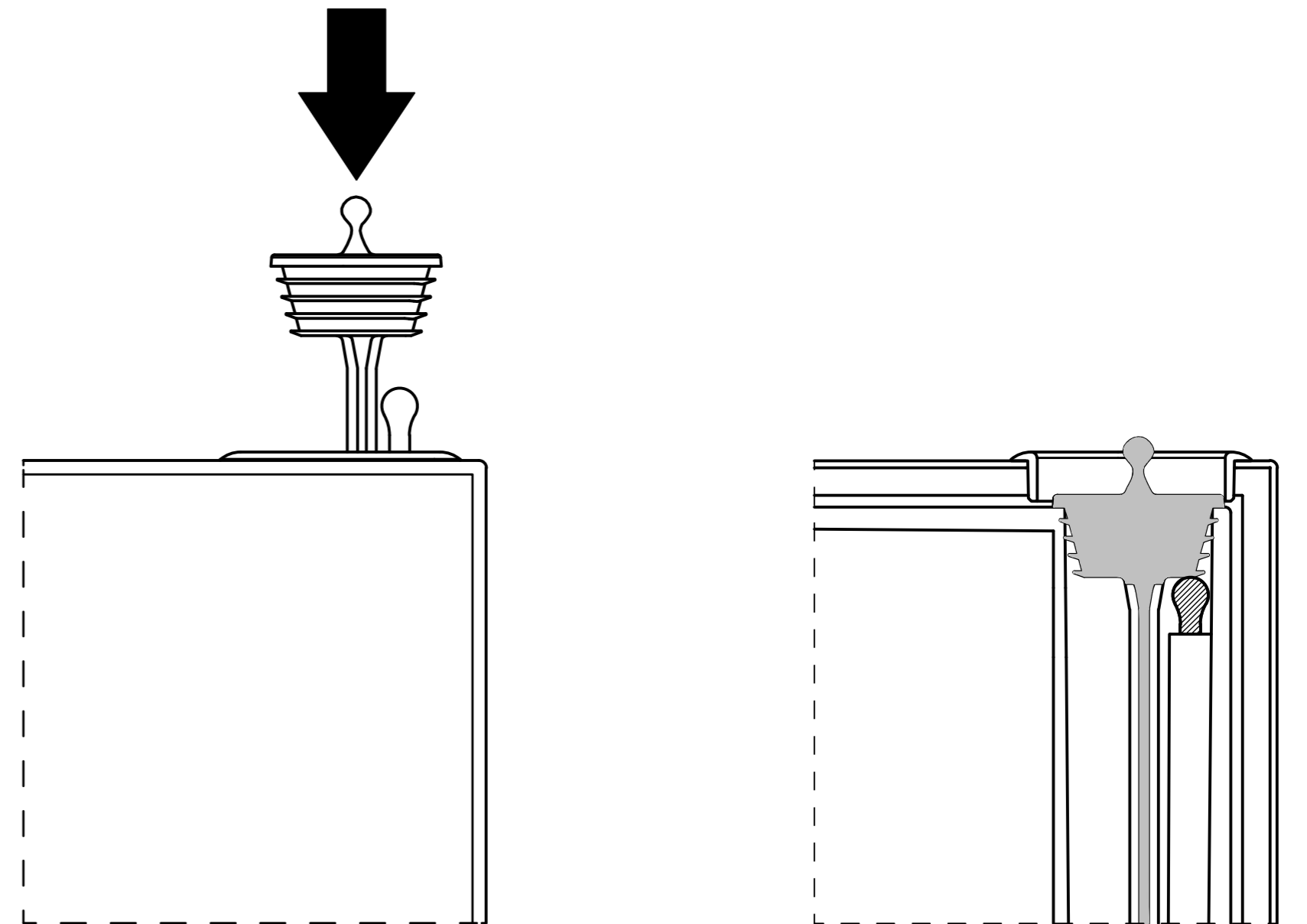
9



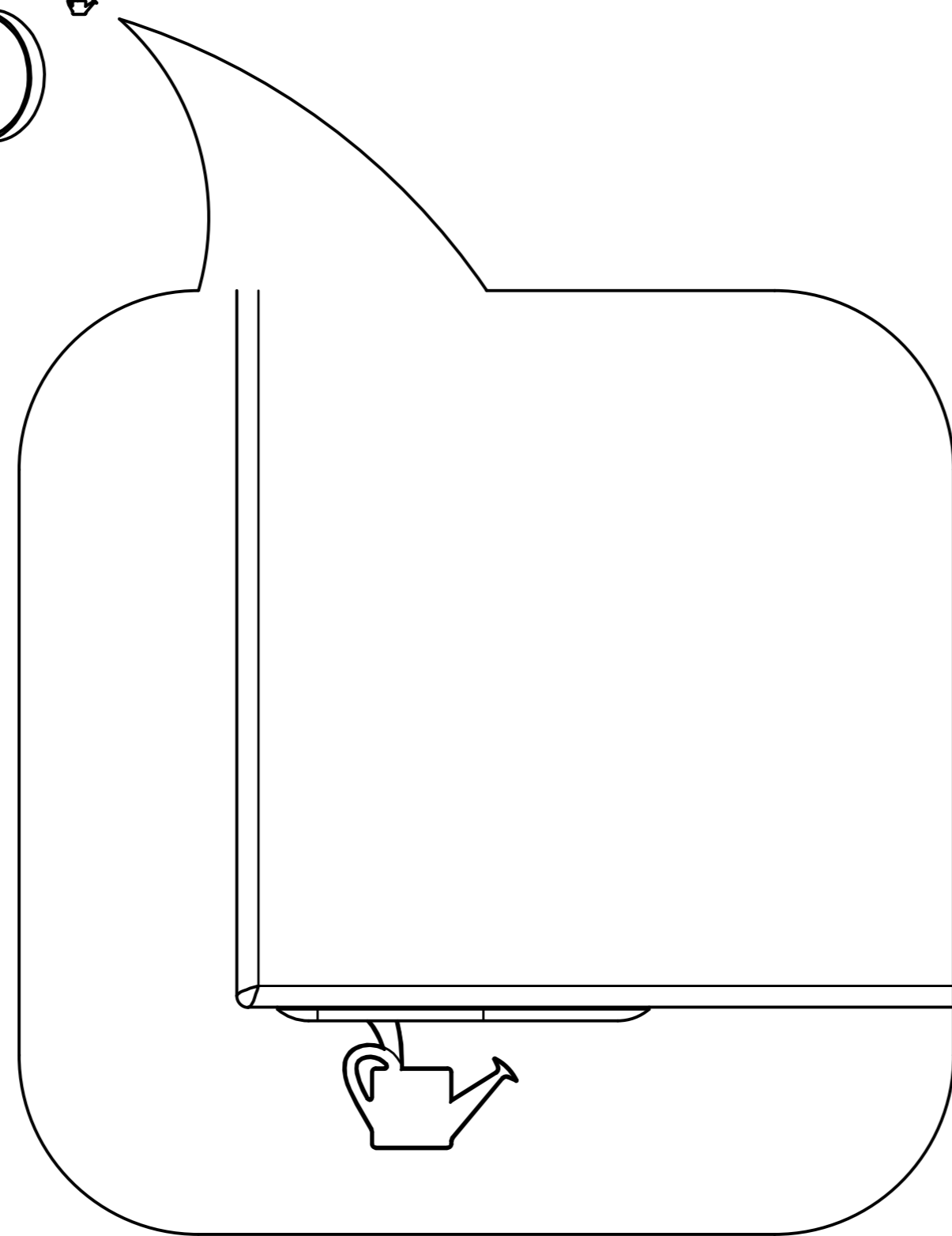
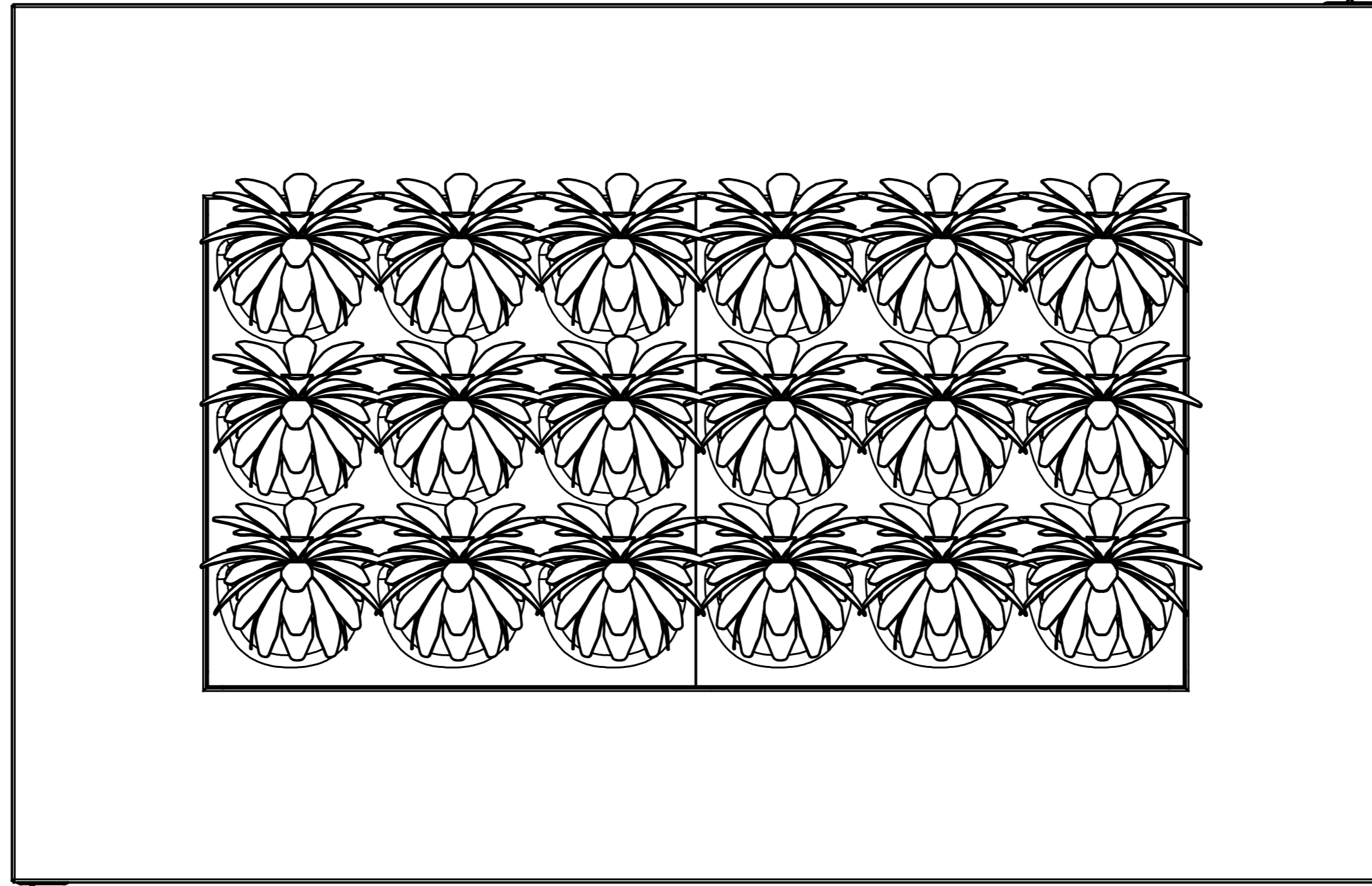
10



11



12



=

