

# BLANCO CULINA-S Mini

Item No. BM4600CH

metallic surface

High Pressure

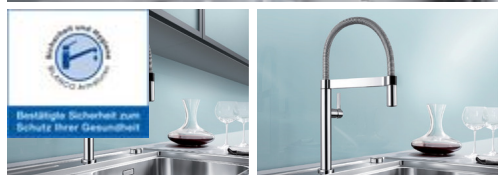
## Pros

---



### Pure passion

- Exciting design with special visual focus
- Delicate stainless steel spring enables freedom of movement down to the bowl area
- Comfortable locking of the hose with a precise magnetic holder
- Ideal in combination with wall units
- User-friendly single-jet mousseur spray



## Colours

---



metallic surface

Item No. BM4600CH

High Pressure

### Available colours



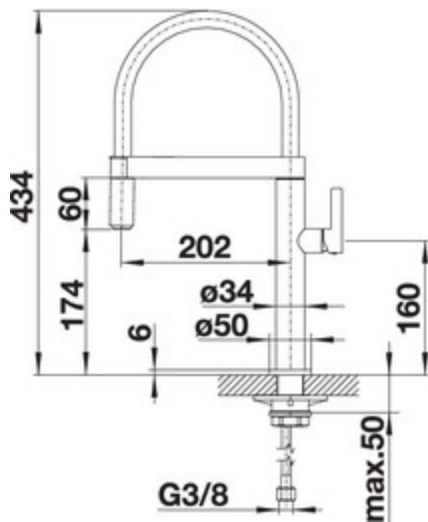
stainless steel  
finish



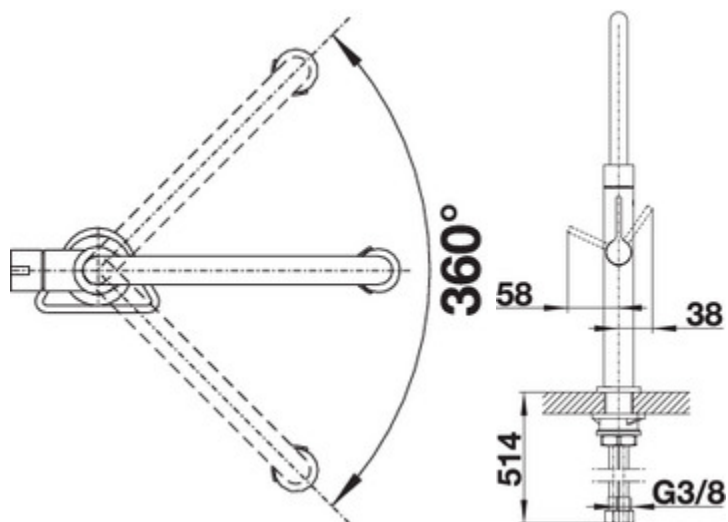
chrome

## Details

---



Side View



Swivelling

## Scope of supply

- Spout can be swivelled by 360°
- Ø 35 mm tap hole required
- with ceramic disk cartridge
- Metal sheathed spray-hose
- Flexible connection pipes with a length of 450 mm and 3/8" nut for particularly easy and secure installation
- Stabilisation plate to increase the stability of the tap when fitted in stainless steel sinks
- with non-return valve and thus guaranteed against reflux in accordance with EN 1717
- Applied for LGA certificate
- Applied for DVGW certificate

Please note:

High pressure supply only, requires minimum of 1.8 bar pressure  
(approx 18 metre head) preferred 1.8 bar - 2.2 bar

Height: 420

Reach: 200

Base: 50

Tap hole:  $\varnothing$ 35

BLANCO UK Limited

Tel: 01923 635200

Fax: 0800 0911608

► [www.blanco.co.uk](http://www.blanco.co.uk)