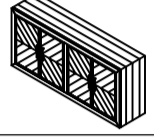
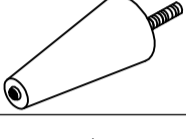
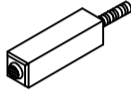


Assembly Instructions

ITEM NO.:95457

Thank you for purchasing this quality product. Be sure to check all packing material carefully for small parts that may have come loose inside the carton during shipment. (Note: Loosely thread all screws/bolts first. Once the item is assembled then completely tighten.)

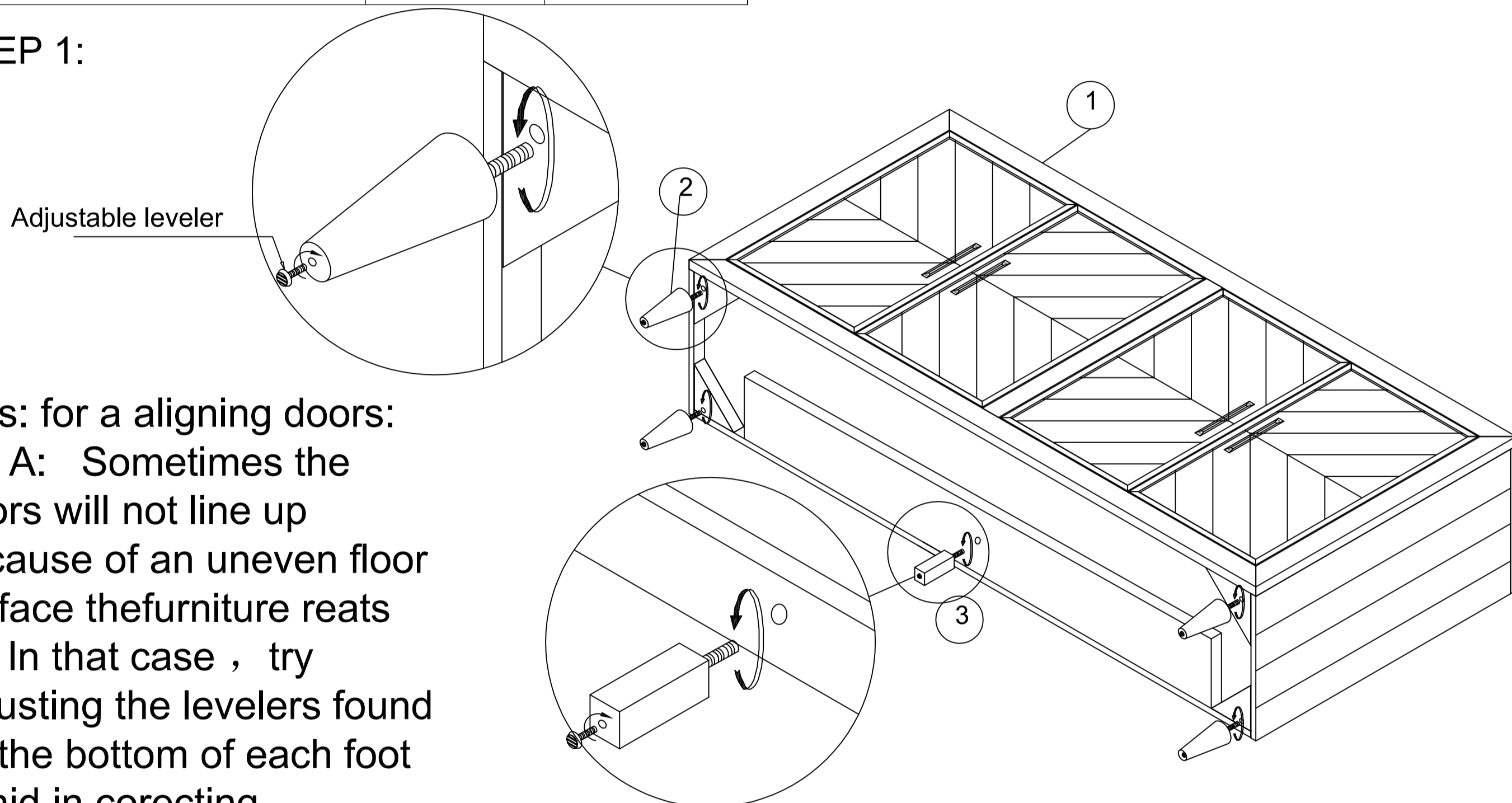
PARTS LIST:

No.	Description	Sketch	Quantity
1	Cabinet		1 pc
2	Legs		4 pcs
3	Center Leg		1 pc

HARDWARE LIST:

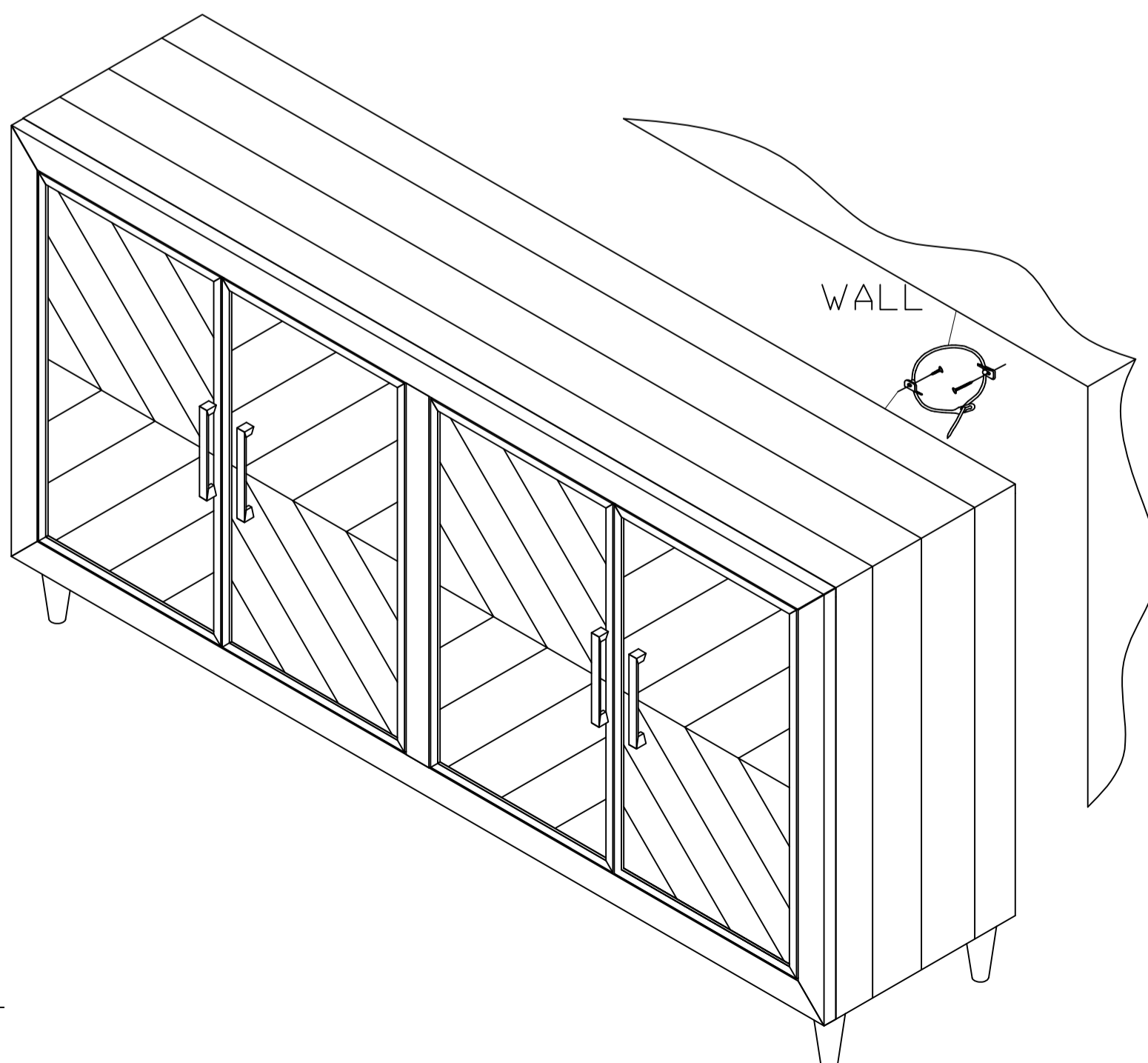
No.	Sketch	Description	Size	Quantity
-----	--------	-------------	------	----------

STEP 1:



Tips: for a aligning doors:

Tip A: Sometimes the doors will not line up because of an uneven floor surface the furniture reats on. In that case , try adjusting the levelers found on the bottom of each foot to aid in corecting.



FINISH