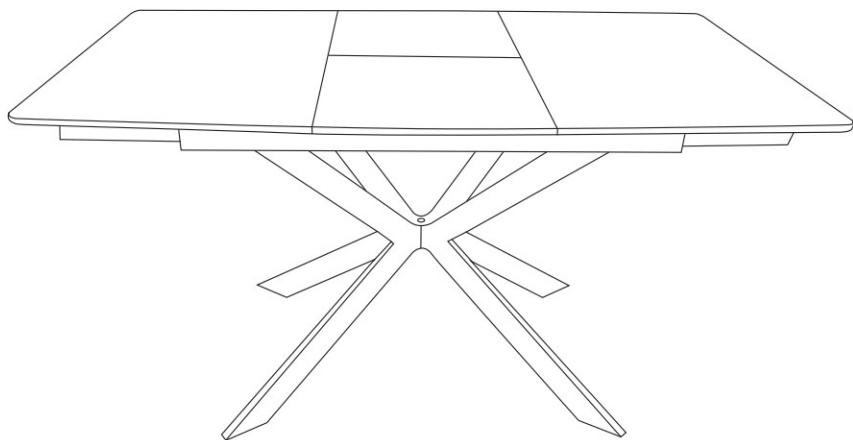


# EXTENDING TABLE

## ASSEMBLY GUIDE



**Important - Please read these instructions fully before starting assembly**



### **SAFETY AND CARE ADVICE**



### **NO POWER TOOLS**

#### **SAFETY AND CARE ADVICE**

- Check you have all the components and tools listed.
- Remove all fittings from the plastic bags and separate them into their groups.
- We do not recommend the use of power drills/drivers for inserting screws, as this could damage the unit. Only use hand screwdrivers and Allen keys.
- Keep children and animals away from the work area, small parts could cause choking if swallowed.
- Make sure you have enough space to layout the parts before starting.
- Assemble the item as close to its final position (in the same room) as possible.
- Do not overtighten the nuts to avoid causing damage to the threads.
- Only clean using a damp cloth and mild detergent, do not use bleach or abrasive cleaners.
- From time to time check that there are no loose screws on this unit
- This product should not be discarded with household waste. Take to your local authority waste disposal centre

## IMPORTANT INFORMATION



45 MINUTE  
BUILD

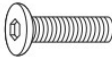

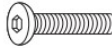



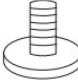


TWO  
PERSON



MAXIMUM  
CAPACITY 100Kg

PLEASE CHECK CAREFULLY AND MAKE SURE YOU HAVE ALL FITTINGS AND TOOLS LISTED BELOW BEFORE YOU START.

<p><b>Ax8</b></p>  <p>M8x20mm</p>	<p><b>Bx9</b></p>  <p>∅8x22mm</p>
<p><b>Cx2</b></p>  <p>M6x20mm</p>	<p><b>Dx2</b></p>  <p>∅6x18mm</p>
<p><b>Ex1</b></p>  <p>M8x70mm</p>	<p><b>Fx1</b></p>  <p>5mm</p>
<p><b>Gx4</b></p>  <p>∅8</p>	

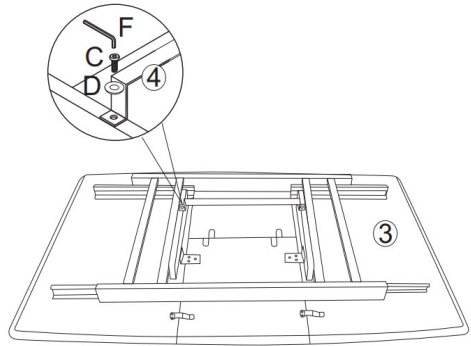
**NOTE:** The quantities above are the correct amount to complete the assembly. In some cases more fittings may be supplied than are required.

## STEP 1

Use a clean, flat, soft surface to avoid any bumps or scratches.

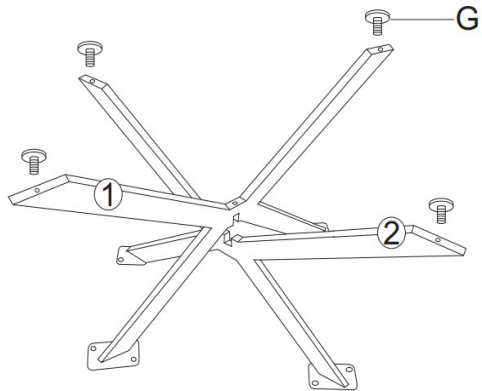
Place your tabletop [3] face-down on the flat surface.

Connect the extending mechanism [4] - align the pre-drilled holes and connect using 2x washer [D] followed by 2x bolt [C] - 1 one on each side.



## STEP 2

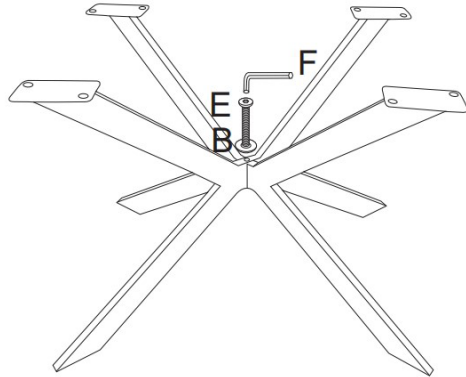
Add 4x feet [G] to the bottom of the leg pieces [1] and [2]



## STEP 3

Connect the table legs [1] and [2] together using 1 x washer [B] followed by 1 x bolt [E] and tighten with Allen key [F]

**Do not fully tighten yet as you will need some manoeuvrability.**

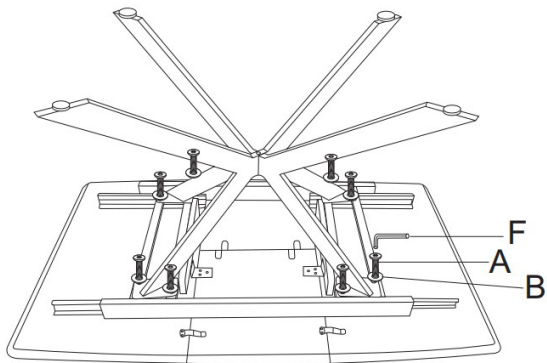


## STEP 4

Connect the legs to the tabletop.

Align the table legs with the pre-drilled holes in table top. Attach using 2x washer [B] followed by bolts [A] in each table leg (8 in total).

Once the legs are secured, you can go ahead and tighten all the screws, including at the connecting point between the legs with Allen key [F].

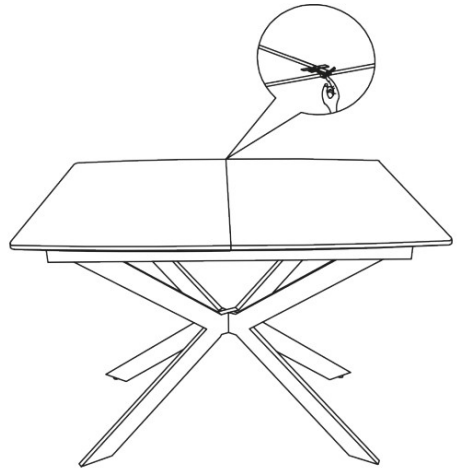


## STEP 5

Carefully, and with help, turn your completed table over so it's now the correct way up. Ensure stability.

To extend, release catch on either side of table and gently pull table leaves apart.

Your table is now ready to use.





## OUR 2 YEAR\* GUARANTEE

our products come with a 2 year guarantee to give you peace of mind shopping at

\*excludes some garden furniture items which have a 1 year guarantee



## WHAT THE GUARANTEE COVERS

---



### PRE-INSERTED FIXINGS

e.g. lose metal threads



### FAULTY JOINTS

e.g. legs bending



### EXTERNAL FIXING FAULTS

e.g. bonding/glue



### STRUCTURAL INTEGRITY

e.g. the frame of the product