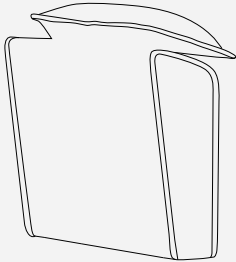


INSTRUCTIONS

Modular Sofa

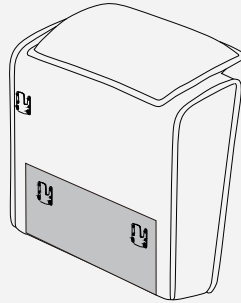
CARTON A PART LIST

A Left Armrest



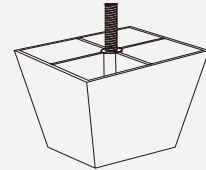
x1

B Right Armrest



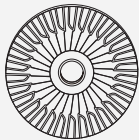
x1

1 Plastic Leg



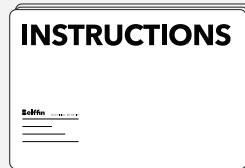
x4

2 Plastic Washer



x4

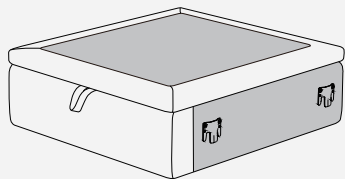
3 Assembly Instructions



x1

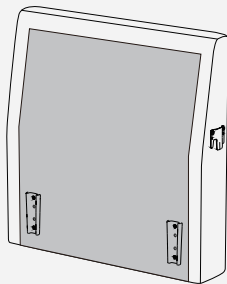
CARTON B PART LIST

C Single Seat Frame



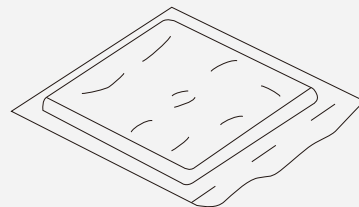
x1

D Single Back Frame



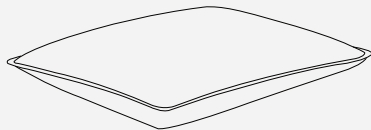
x1

E Seat Cushion



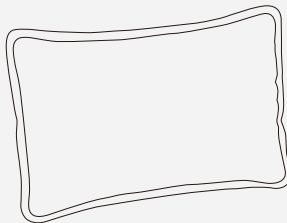
x1

F Removable Seat Cushion



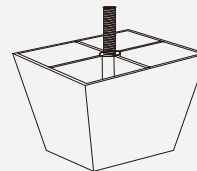
x1

G Back Pillow



x1

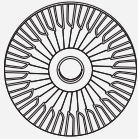
1 Plastic Leg



x4

CARTON B PART LIST

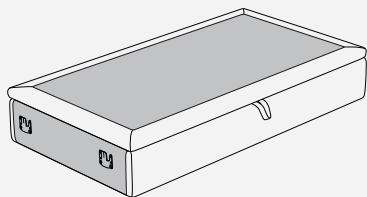
2 Plastic Washer



x4

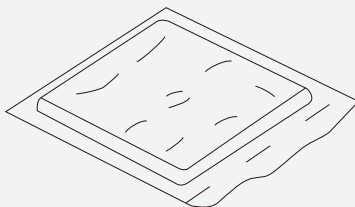
CARTON C PART LIST

H Long Storage Seat Frame



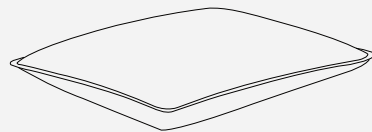
x1

E Seat Cushion



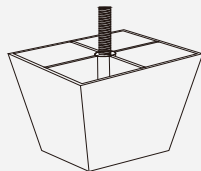
x1

F Removable Seat Cushion



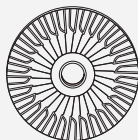
x2

1 Plastic Leg



x4

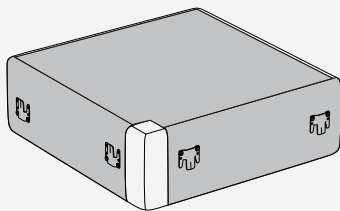
2 Plastic Washer



x4

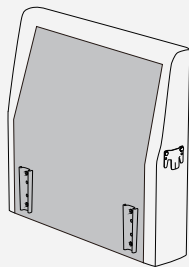
CARTON D PART LIST

I Corner Seat Frame



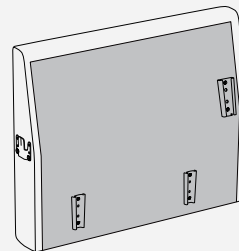
x1

K Corner Short Back Frame



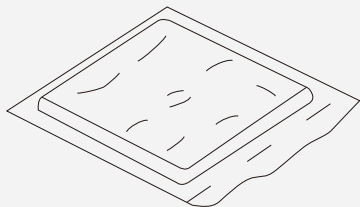
x1

L Corner Long Back Frame



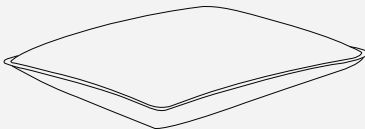
x1

M Corner Seat Cushion



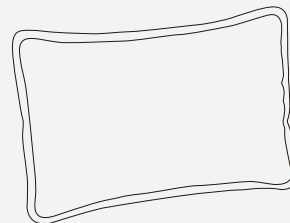
x1

F Removable Seat Cushion



x1

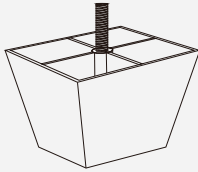
G Back Pillow



x2

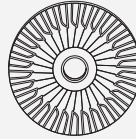
CARTON D PART LIST

1 Plastic Leg



x4

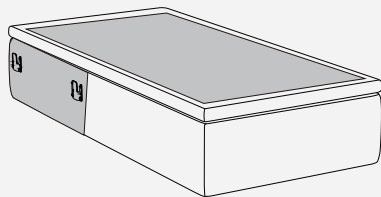
2 Plastic Washer



x4

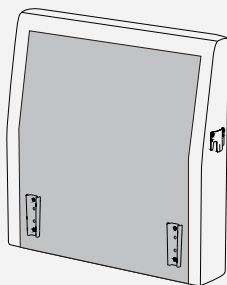
CARTON E PART LIST

O Chaise Seat Frame



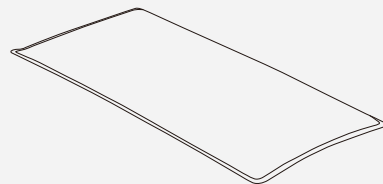
x1

D Single Back Frame



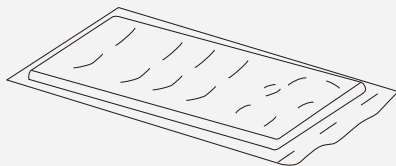
x1

P Chaise Removable Seat Cushion



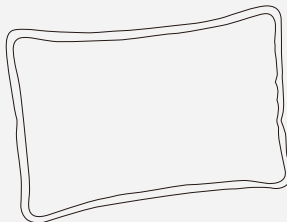
x1

Q Chaise Seat Cushion



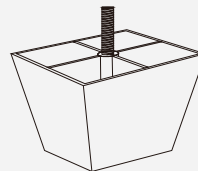
x1

G Back Pillow



x1

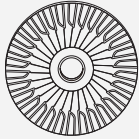
1 Plastic Leg



x4

CARTON E PART LIST

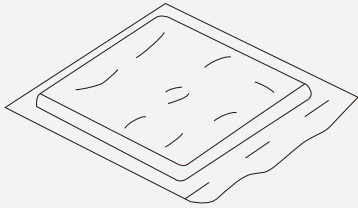
2 Plastic Washer



x4

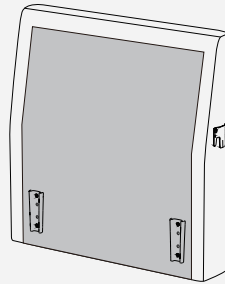
CARTON H PART LIST

E Seat Cushion



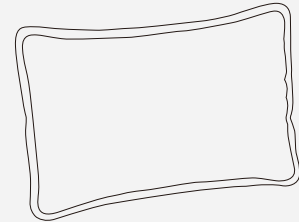
x1

D Single Back Frame



x2

G Back Pillow

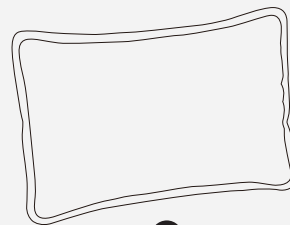
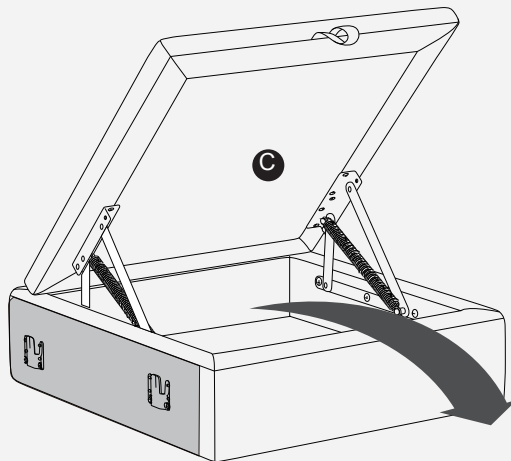


x2

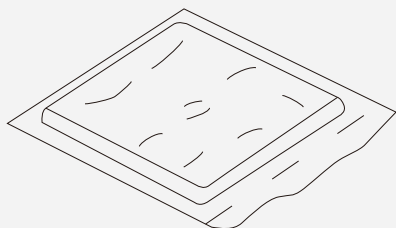
ASSEMBLY

1. Please open all cartons and remove all parts from them carefully.
Place all parts on protected surface or carpet.
2. Please connect the right armrest (part B in the carton A) with the seat frame first, then connect the rest seat frames according to the assembly instructions.
3. Then please insert all the backrests into the seat frames, and connect the left armrest (part A in the carton A) finally with the seat frame according to the assembly instructions

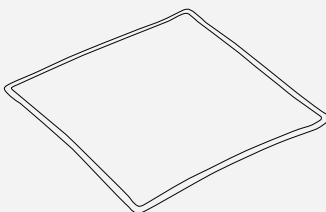
Step1:



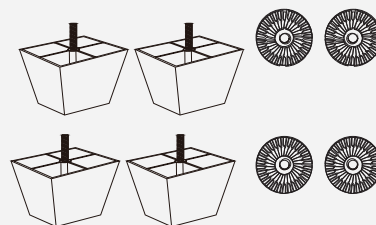
C



E



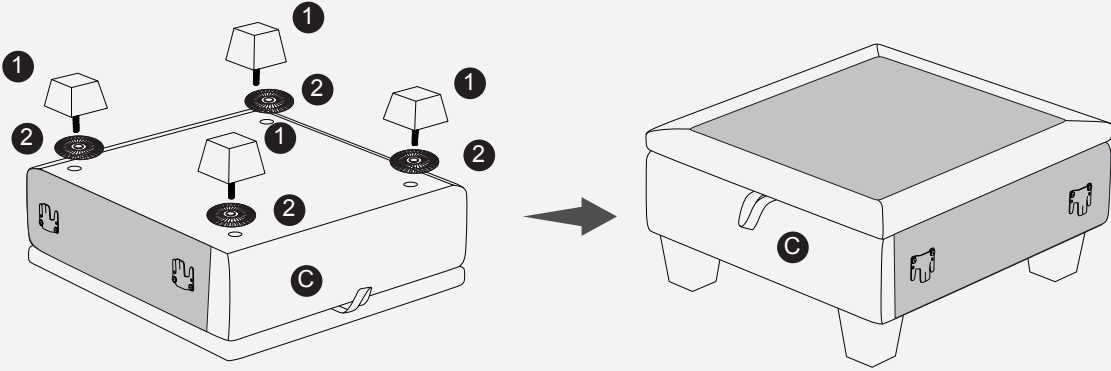
F



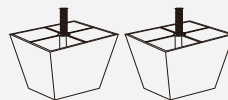
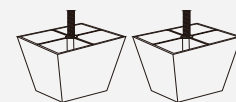
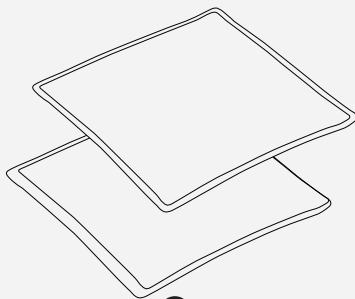
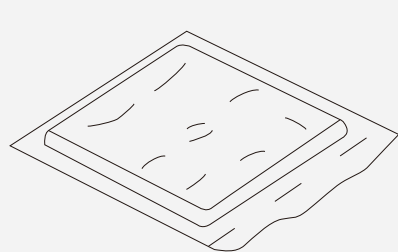
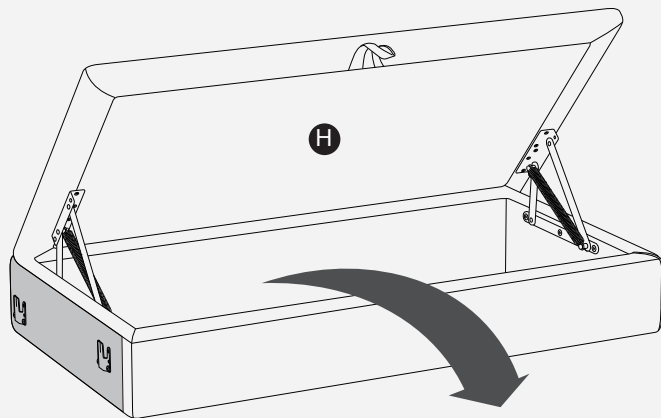
1

2

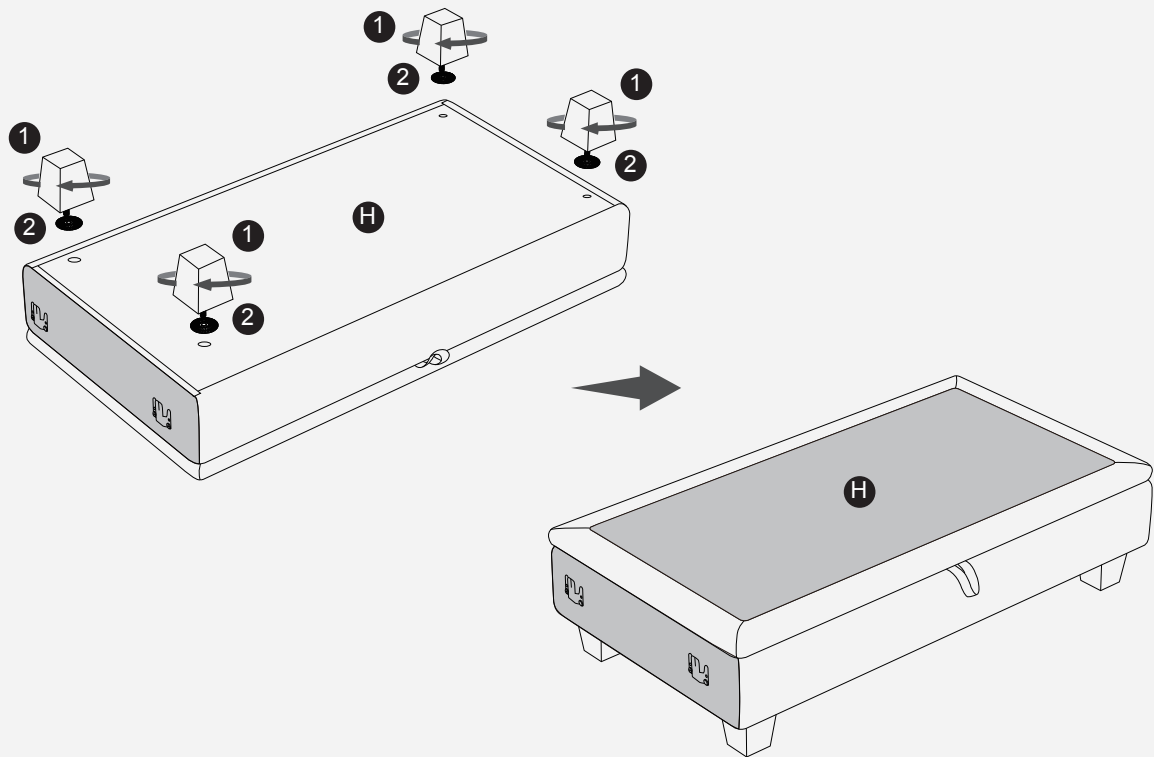
Step2:



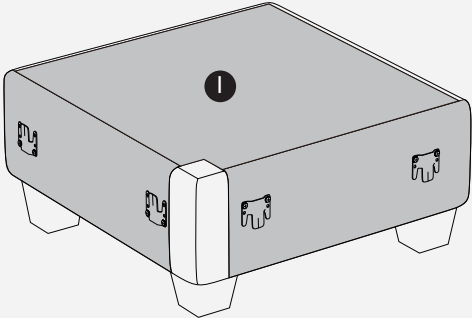
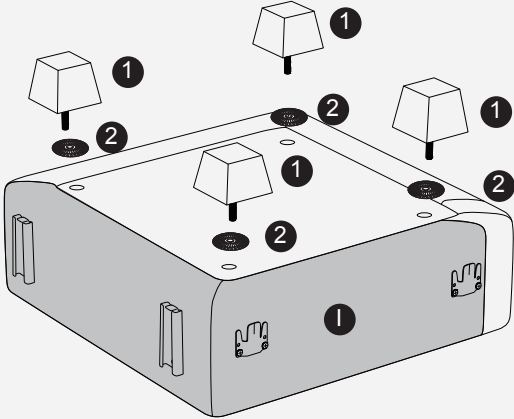
Step3:



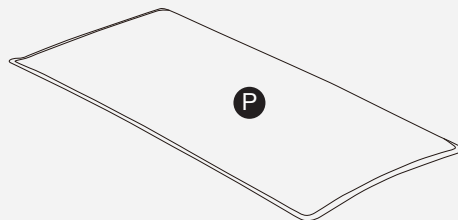
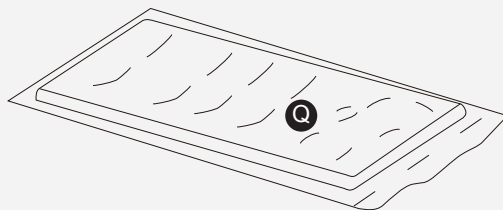
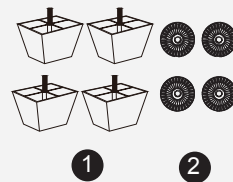
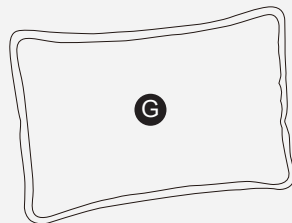
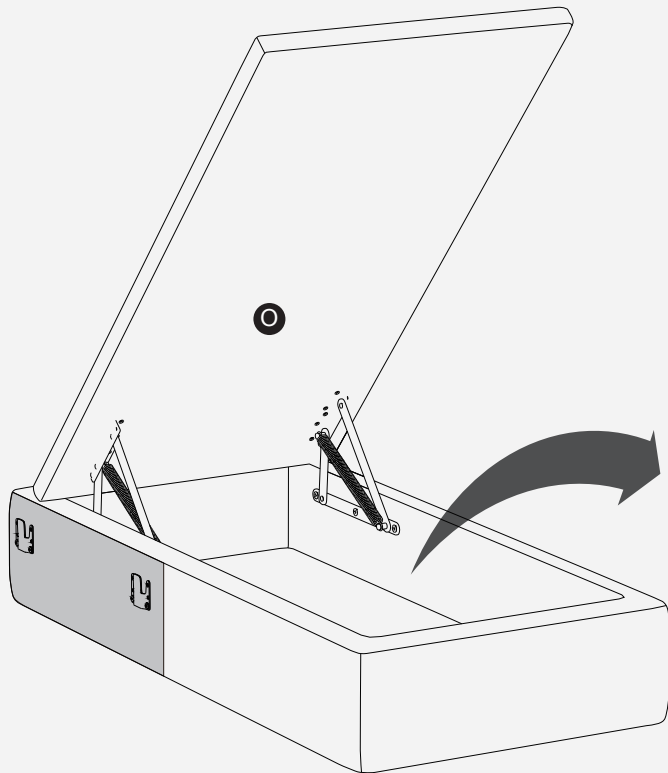
Step4:



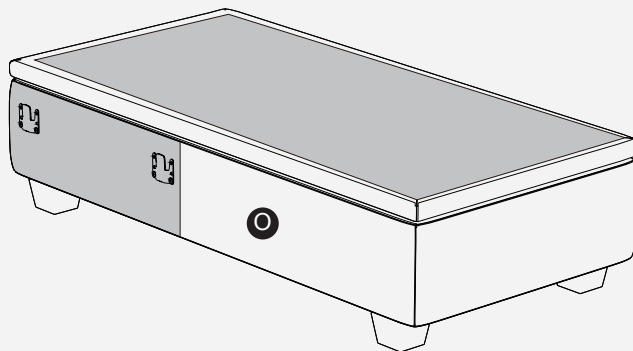
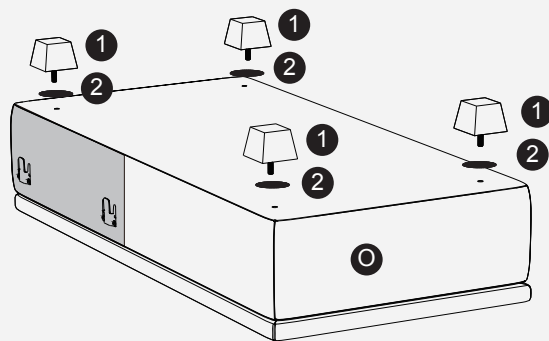
Step5:



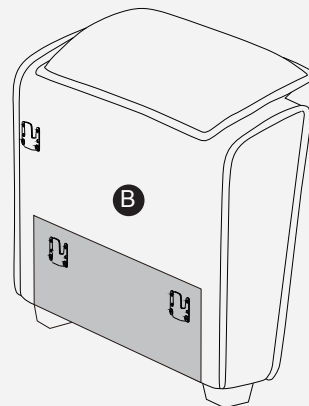
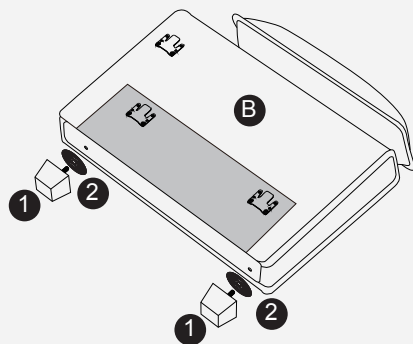
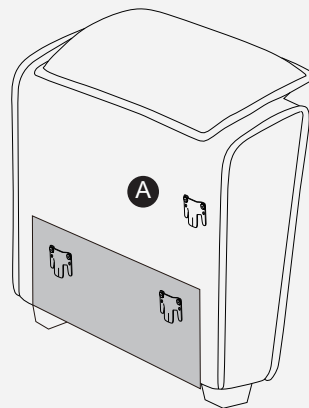
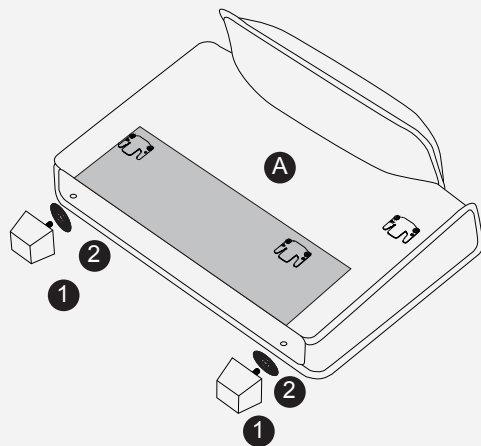
Step6:



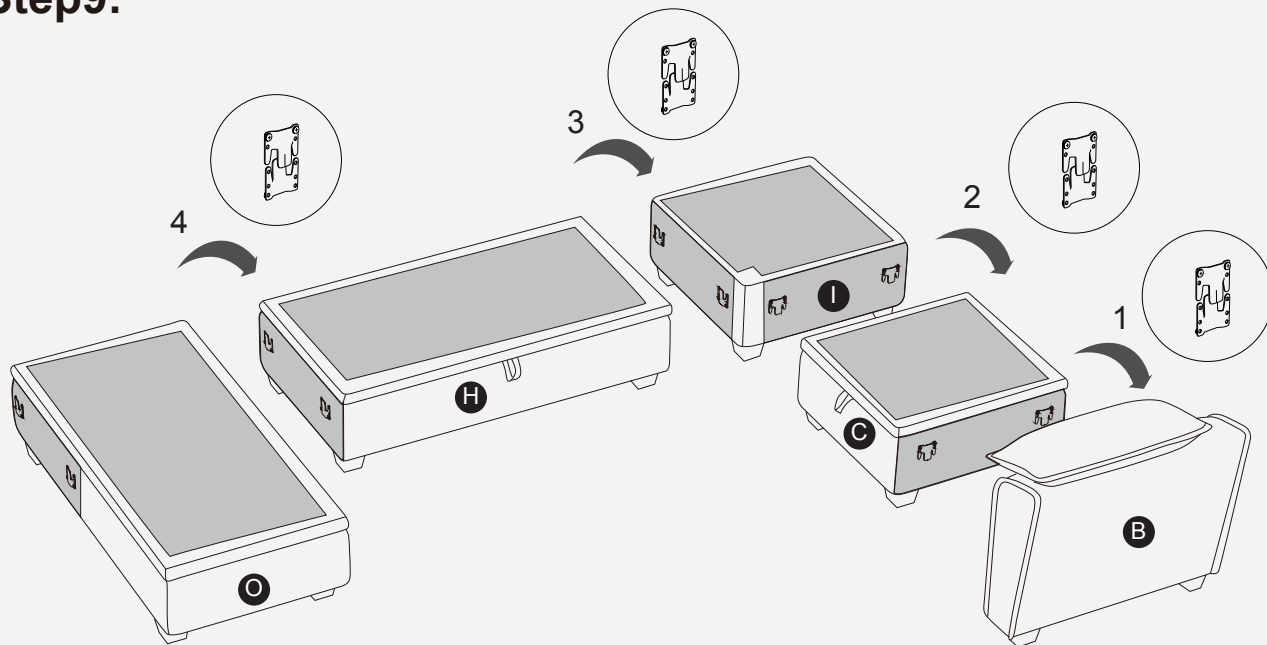
Step7:



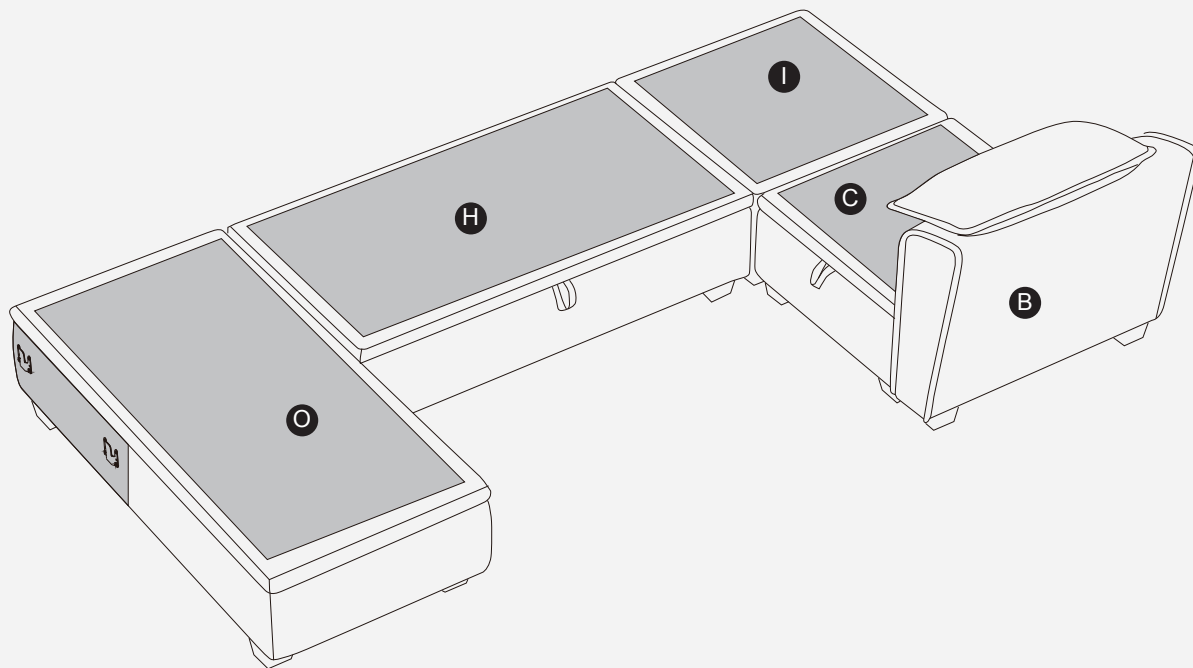
Step8:



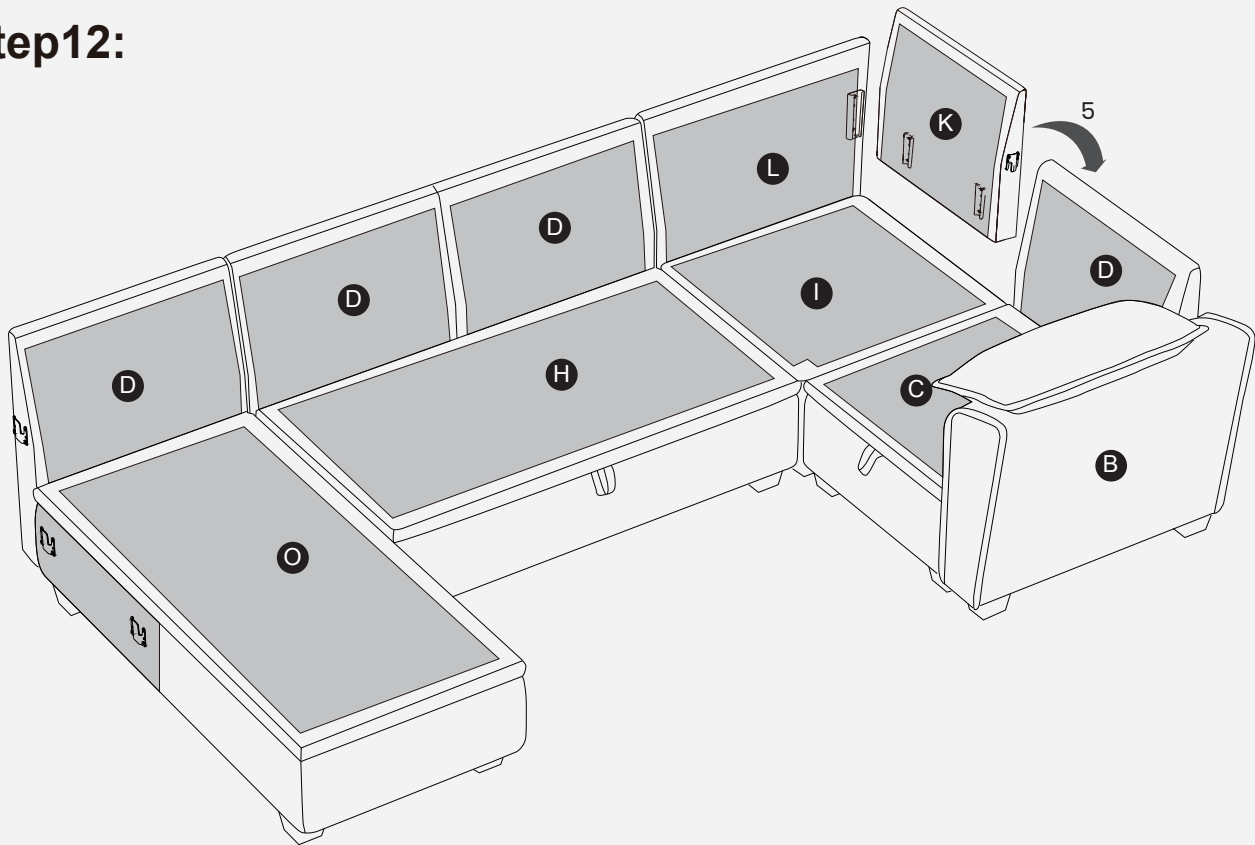
Step9:



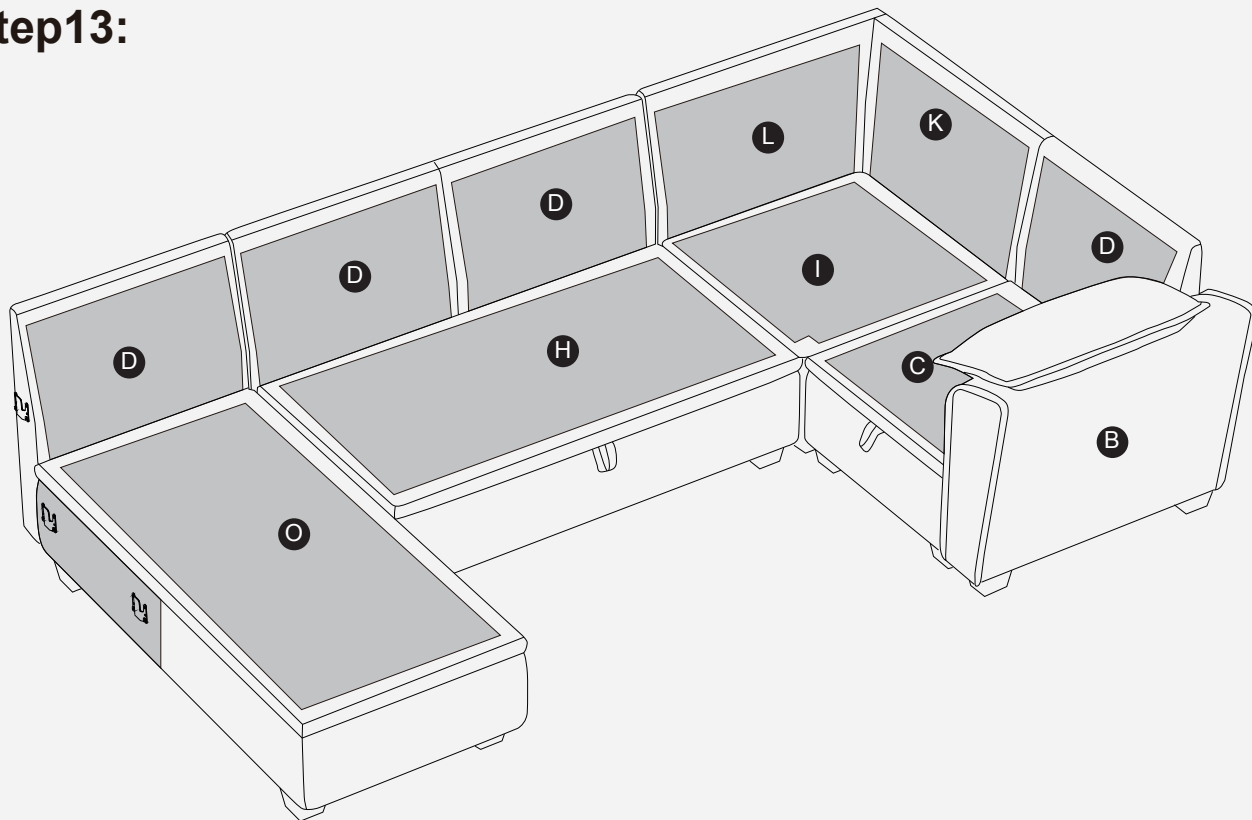
Step10:



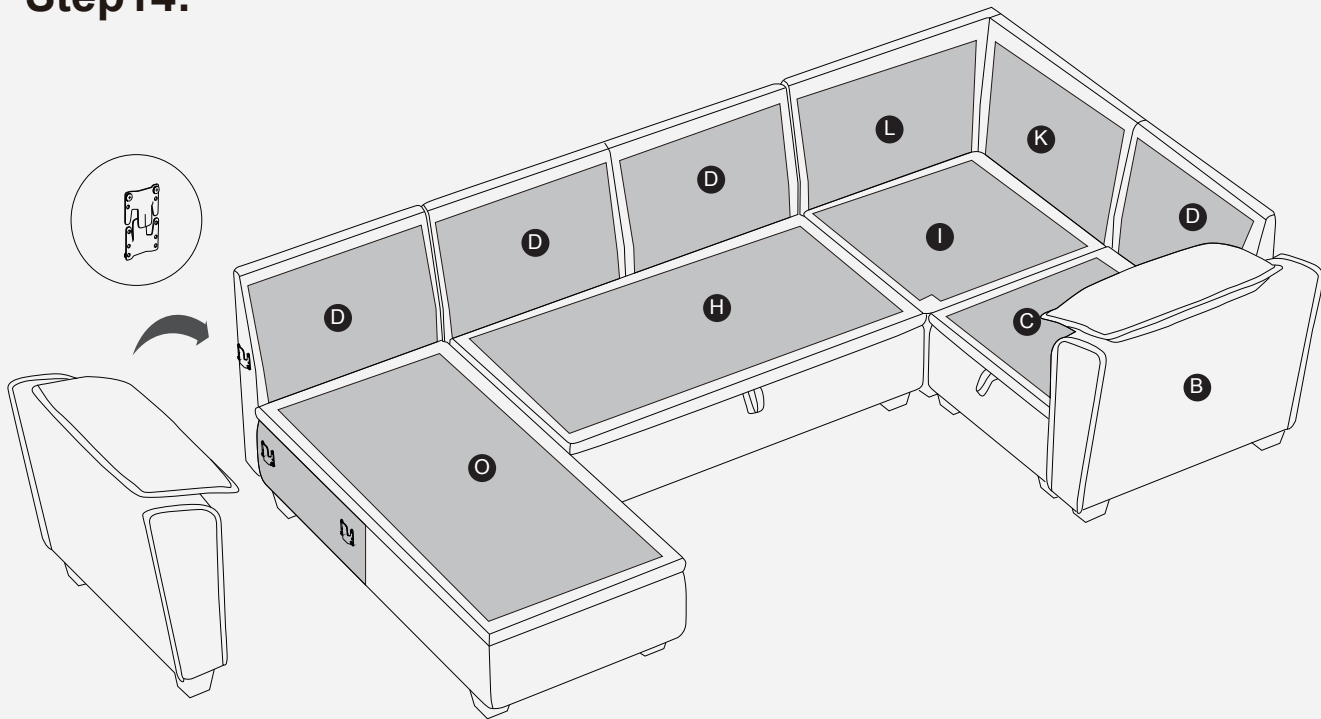
Step12:



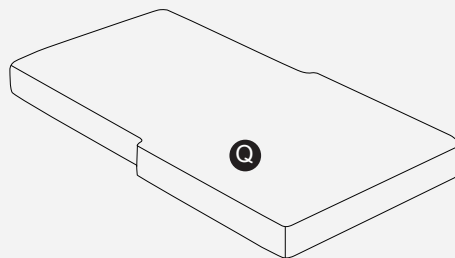
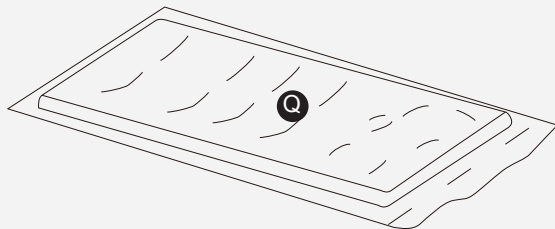
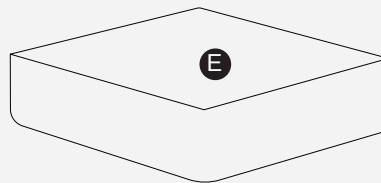
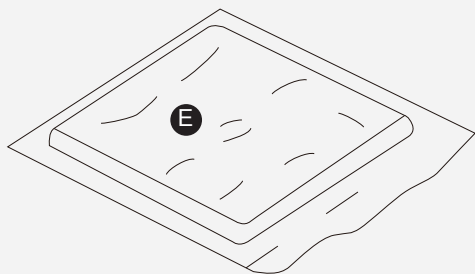
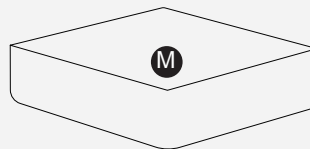
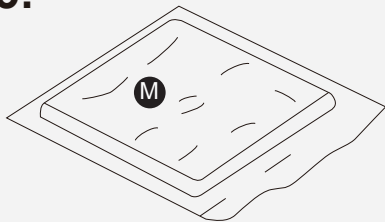
Step13:



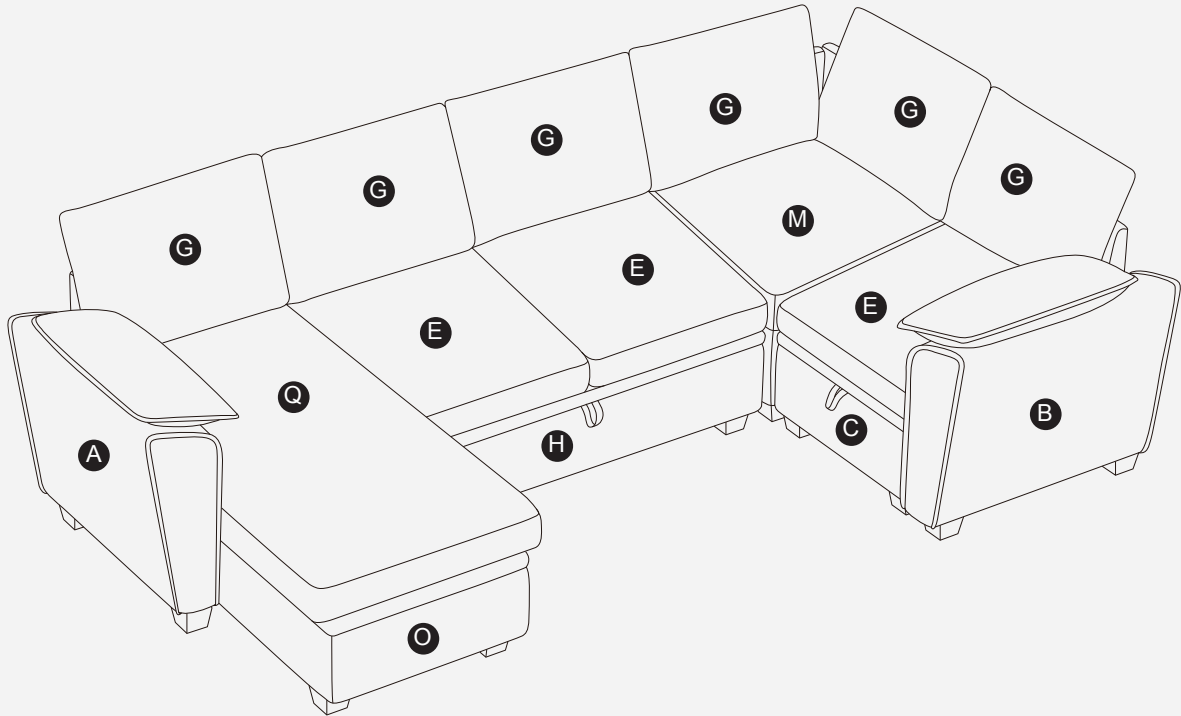
Step14:



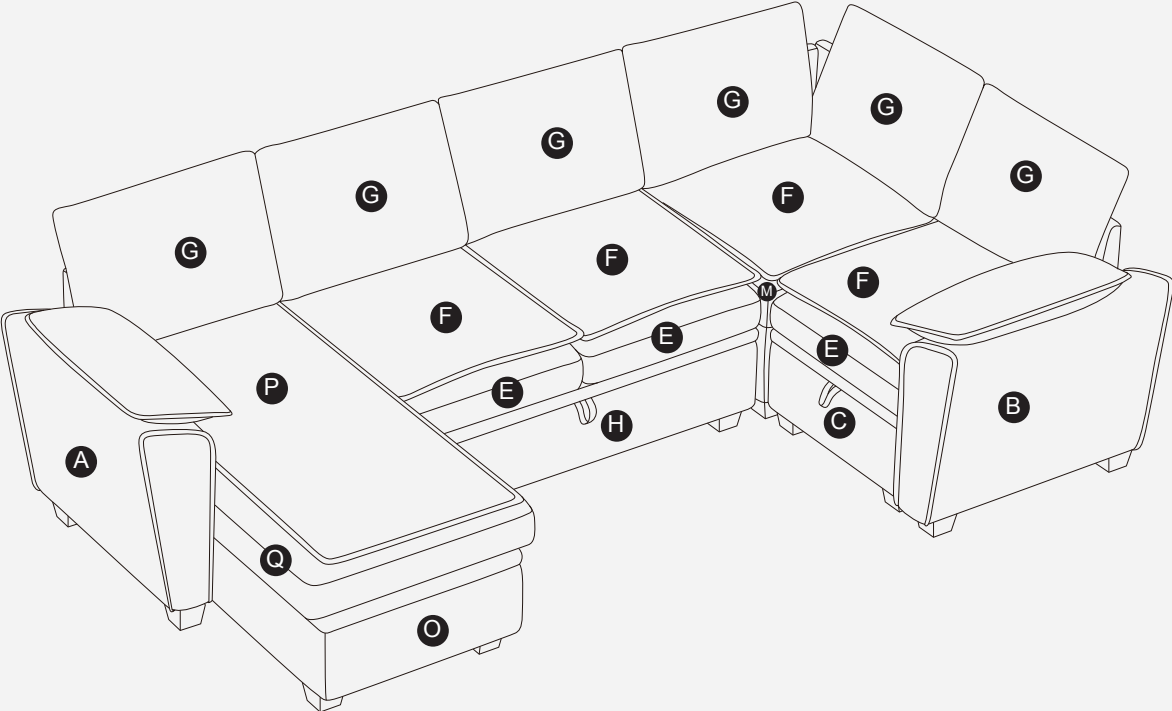
Step15:



Step16:



Step17:



FREE COMBINATION

