



Chandelier Lamp

Dear Customer

Thank you very much to purchase our Chandelier Lamp. Our Chandelier Lamp are base on EU / CE / UKCA safety requirements to produce and achieved their standards.

This product is equipped with safety features. Nevertheless, read the safety warnings carefully and only use the product as described in these instructions to avoid accidental injury or damage.

Keep this manual for further reference. If you pass this product on to someone else, remember to give them these instruction.

We hope you enjoy using our Chandelier Lamp and all our CAPITAL HOMEWARE product.



Important

Always shut off power to the circuit before starting installation work. In some countries electrical installation work may only be carried out by a authorised electrical contractor. Contact your local electricity authority for advice.

The product is designed for home use and is not suitable for commercial purposes.

DANGER to children and people with restricted capability of operating appliances.

This appliance is not intended for use by children or those who lack the physical, sensory or mental capabilities, or the experience and knowledge to be able to use it safety. Children must be supervised to ensure that they do not play with the appliance.

Keep packaging materials away from children. There is a risk of suffocation !



The crossed-out wheeled bin symbol indicates that the item should be disposed of separately from household waste. The item should be handed in for recycling in accordance with local environmental regulations for waste disposal. By separating a marked item from household waste, you will help reduce the volume of waste sent to incinerators or land-fill and minimize and potential negative impact on human health and the environment.

Technical specifications

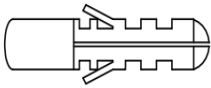
Article No. : Palace A4-E14 x 6

Power : 220V-240V ~ 50Hz

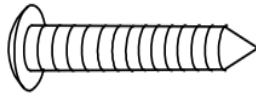
Bulb : E14 / Max. 25W x 6

- In the course of product improvement, we reserve the right to make technical and optical modification to the product.

Components



Wall plugs x 2

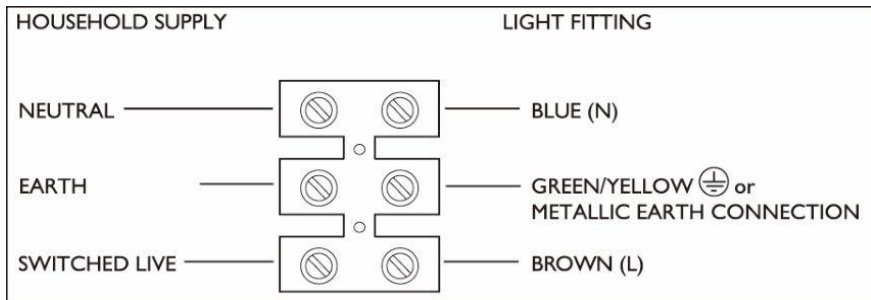


Ceiling mounting screws x 2



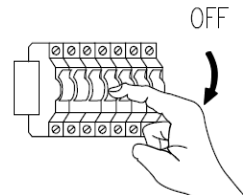
Casing tube x 6

Cable connection



Note : Make sure chain supports the weight of the light fixture and no weight is on either supply or ground wires.

Always **turn power off** before installing light fixtures !



Installing

