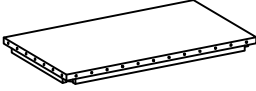




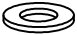


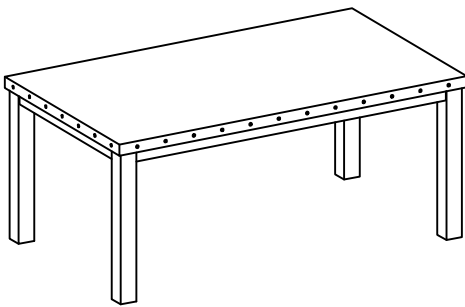
# ASSEMBLY INSTRUCTION

## STAINLESS TOP DINING TABLE

---

<b>A</b> Table Top	<b>B</b> Leg	<b>C</b> Allen Wrench 4mm	<b>D</b> Bolt 5/16"x1-3/4"
			
1pc	4pcs	1pc	8pcs
<b>E</b> Lock Washer 5/16"	<b>F</b> Flat Washer 5/16"x19mm		
			
8pcs	8pcs		

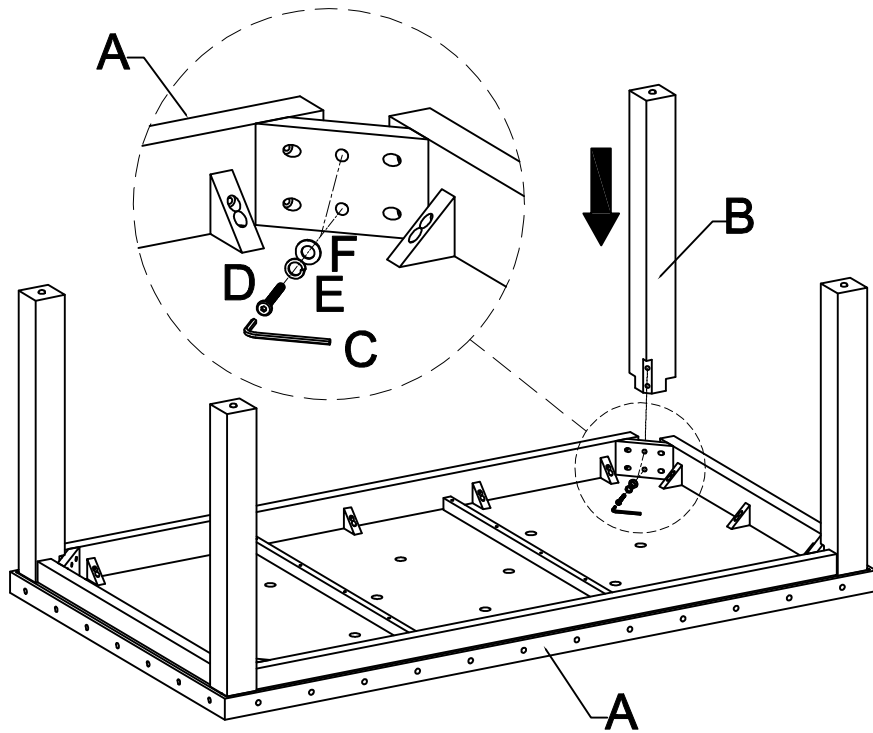
---



This page lists all the contents included in the box. Please take the time to identify the hardware as well as the individual components to this product. As you unpack and prepare for assembly, place the contents on a carpeted or padded area to protect them from damage.

1

Upside down the table top(A), attach 4pcs legs(B) and install use bolt(D), lock washer(E) and flat washer(F), tight by allen wrench(C).



## Cleaning & Care

Treat surface with care. Surface is resistant to scratches but is not scratch resistant. Clean surfaces with a dry or damp soft cloth. Do not use abrasive cleaners. Hardware may loosen over time. Periodically check that all connections are tight.