








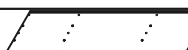



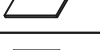

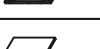

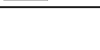

CARE AND MAINTENANCE

Spot clean using a mild water-free solvent. Only a professional cleaner should undertake a complete overall cleaning.
The use of steam or water-based cleaners may cause excessive shrinking or staining.

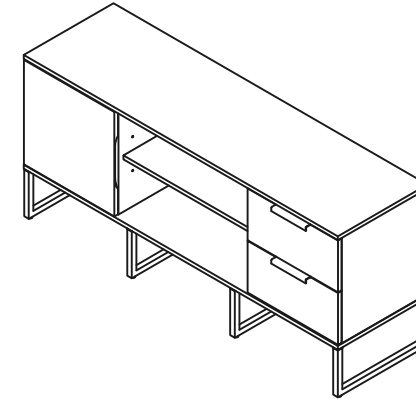
NOTICE

- * Please make sure that you have all parts indicated before you begin assembly of this item.
- * This item should be assembled on a soft surface to prevent scratching the finish during assembly.
- * This item may require periodic tightening.

Part List and Hardware List




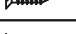











| PIECE | DESCRIPTION | PICTURE | QUANTITY |
|-------|------------------------|---|----------|
| A | TOP PANEL |  | 1X |
| B | LEFT PANEL |  | 1X |
| C | RIGHT PANEL |  | 1X |
| D | LEFT DIVIDER |  | 1X |
| E | RIGHT DIVIDER |  | 1X |
| F | LARGE ADJUSTABLE SHELF |  | 1X |
| G | SMALL ADJUSTABLE SHELF |  | 1X |
| H | RAIL |  | 1X |
| I | BOTTOM PANEL |  | 1X |
| J | BACK PANEL ASSEMBLY |  | 1X |
| K | LEG FRAME |  | 4X |
| L | DOOR |  | 1X |
| M | DRAWER FRONT |  | 2X |
| N | DRAWER LEFT |  | 2X |
| O | DRAWER RIGHT |  | 2X |
| P | DRAWER BACK |  | 2X |
| Q | DRAWER BASE |  | 2X |

Product Dimensions: 54"W x 15"D x 24"H



WEIGHT CAPACITY :
TOP : 50 LBS
SHELF : 30 LBS

**WARNING: DO NOT OVER TORQUE
BOLTS/SCREWS**

| PIECE | DESCRIPTION | PICTURE | QUANTITY |
|-------|------------------------|---|----------|
| 1 | 15 MM BOLT | M6x15mm  | 16X |
| 2 | SPRING WASHER |  | 16X |
| 3 | 1 1/4" FLAT HEAD SCREW | M3x32mm  | 16X |
| 4 | 3/4" FLAT HEAD SCREW | M3x19mm  | 10X |
| 5 | 5/8" FLAT HEAD SCREW | M3x16mm  | 10X |
| 6 | 1/2" ROUND HEAD SCREW | M3x13mm  | 10X |
| 7 | CAMBOLT |  | 28X |
| 8 | CAMLOCK |  | 28X |
| 9 | HINGE |  | 2X |
| 10 | MAGNET |  | 1X |
| 11 | SHELF SUPPORT PIN |  | 8X |
| 12 | HANDLE |  | 2X |
| 13 | WEDGE |  | 10X |
| 14 | DOWEL |  | 16X |
| 15 | ALLEN KEY |  | 1X |

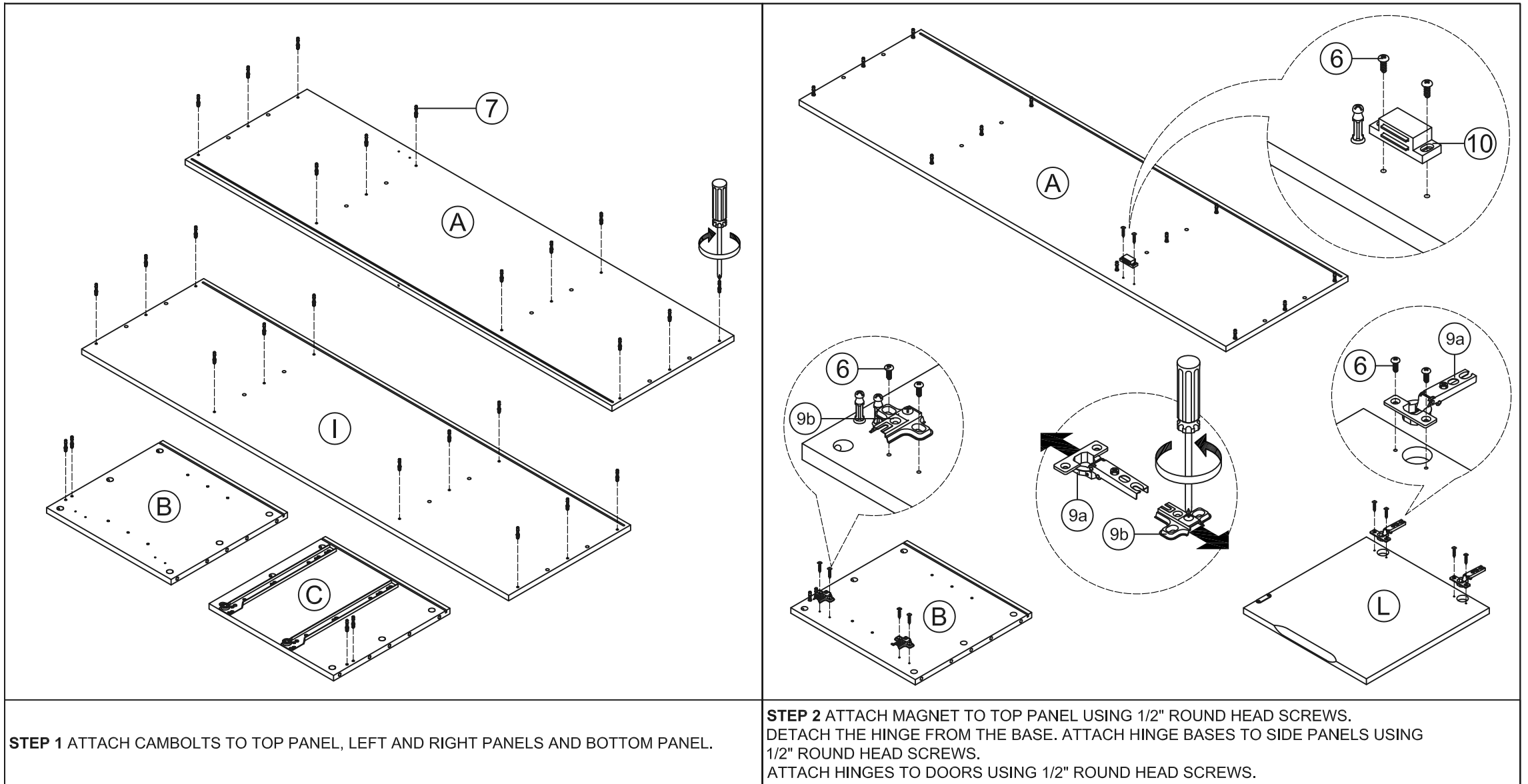
PREPARATION

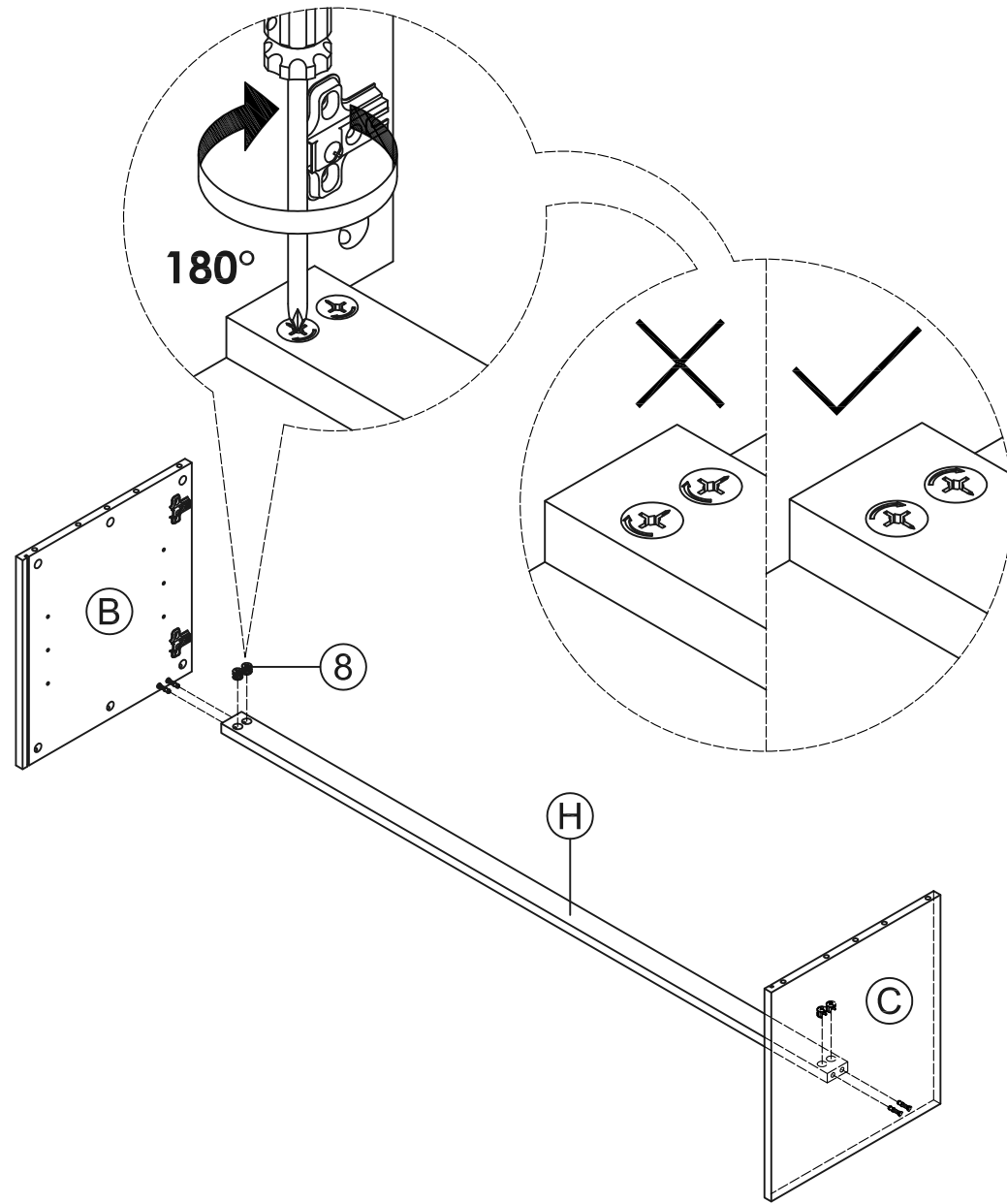
Before beginning assembly of product, make sure all parts are present. Compare parts with package contents list and hardware contents list.

If any part is missing or damaged, do not attempt to assemble the product.

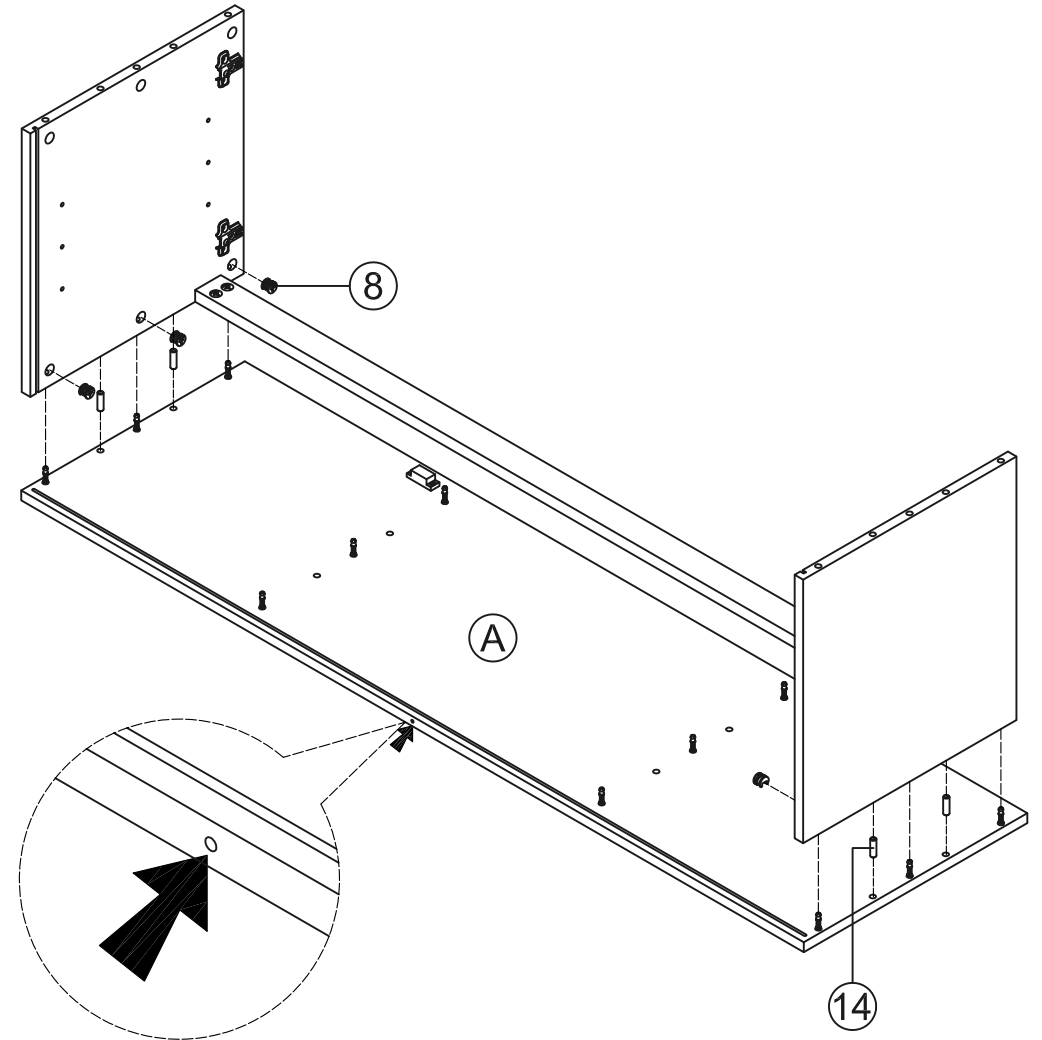
Estimated Assembly Time: 60 minutes.

Tools Required for Assembly : Phillips Screwdriver

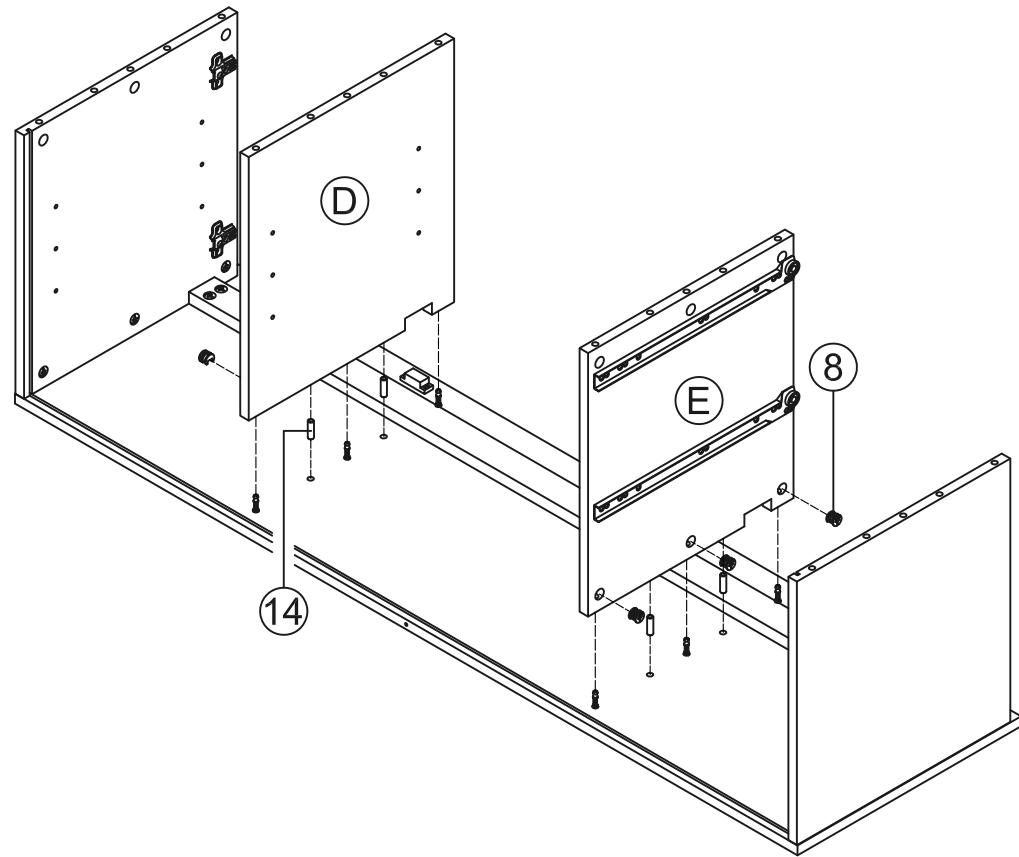




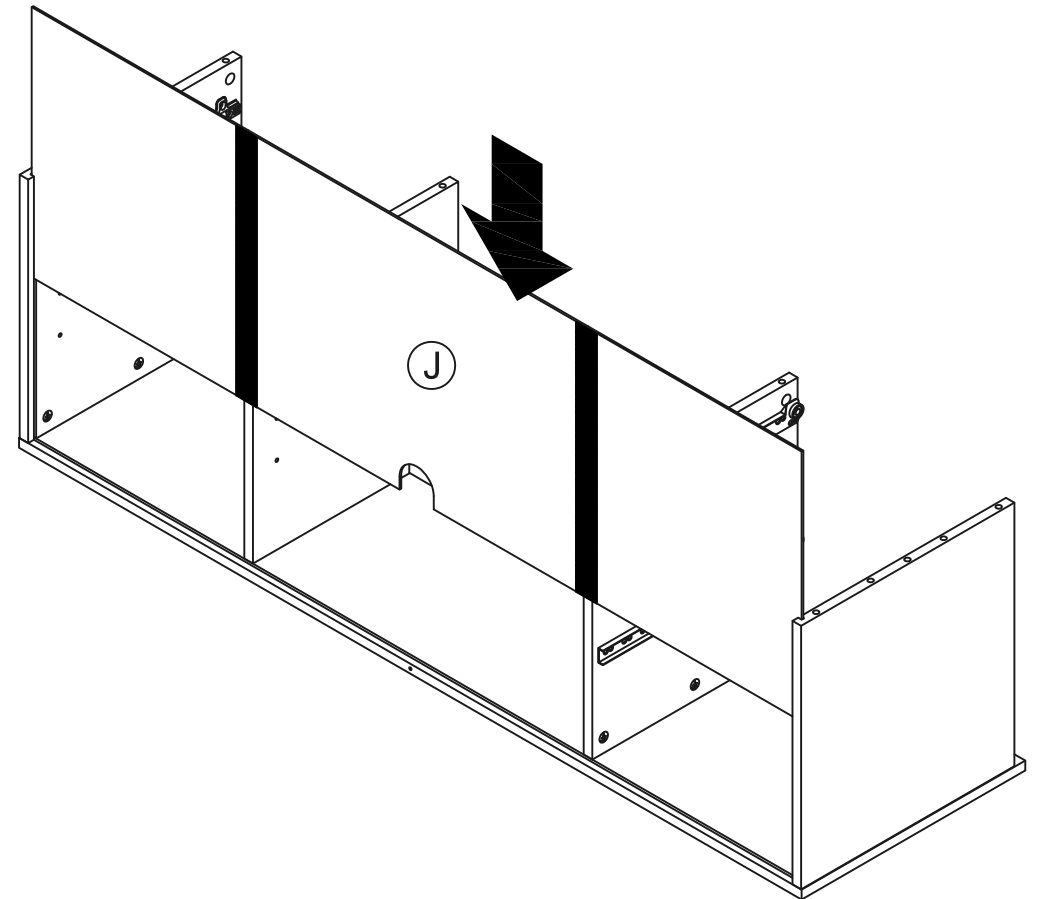
STEP 3 ATTACH RAILS TO LEFT AND RIGHT PANELS USING CAMLOCKS.



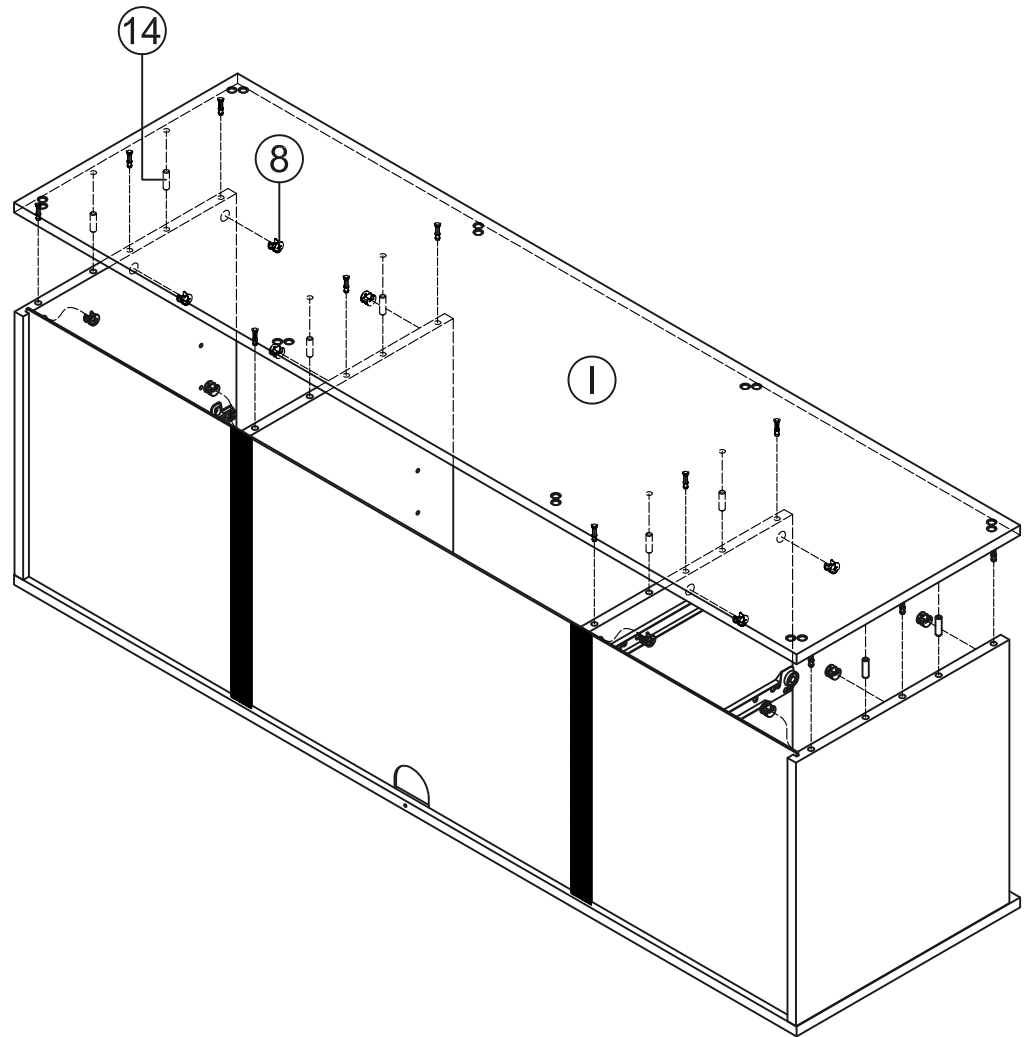
STEP 4 ATTACH UNIT TO TOP PANEL USING CAMLOCKS AND DOWELS.



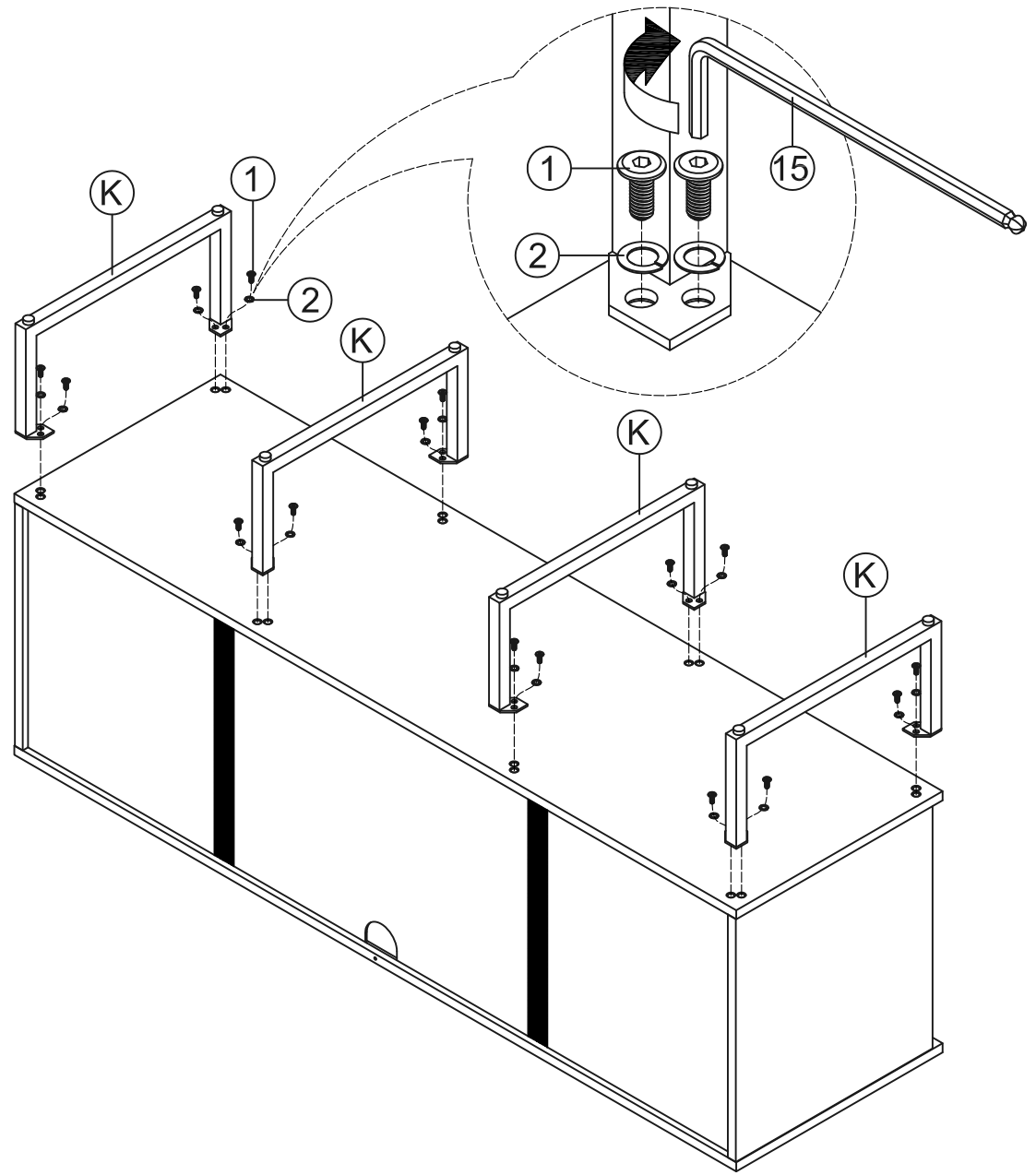
STEP 5 ATTACH LEFT AND RIGHT DIVIDERS TO UNIT USING CAMLOCKS AND DOWELS.



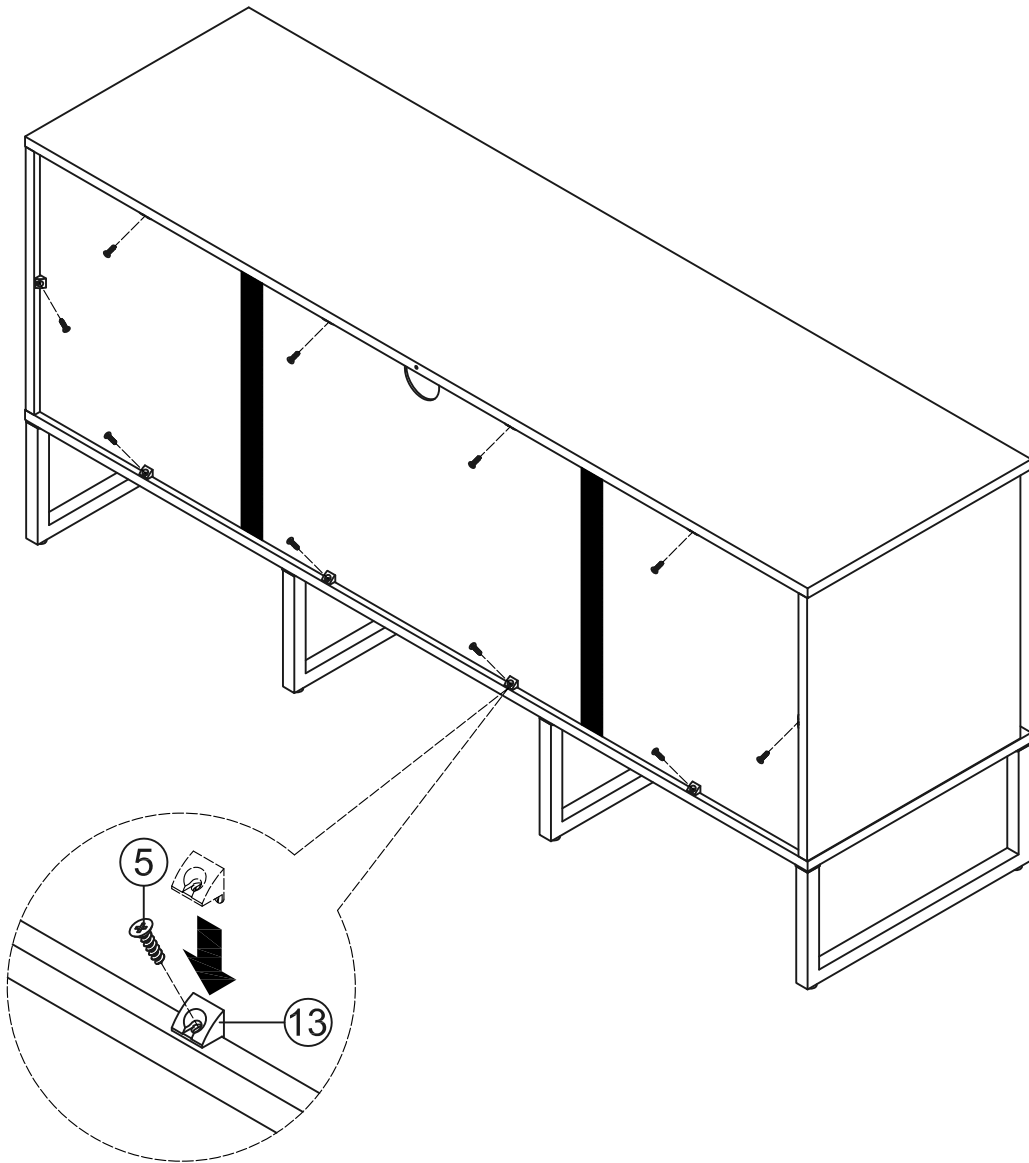
STEP 6 SLIDE BACK PANEL ASSEMBLY INTO UNIT OF GROOVE.



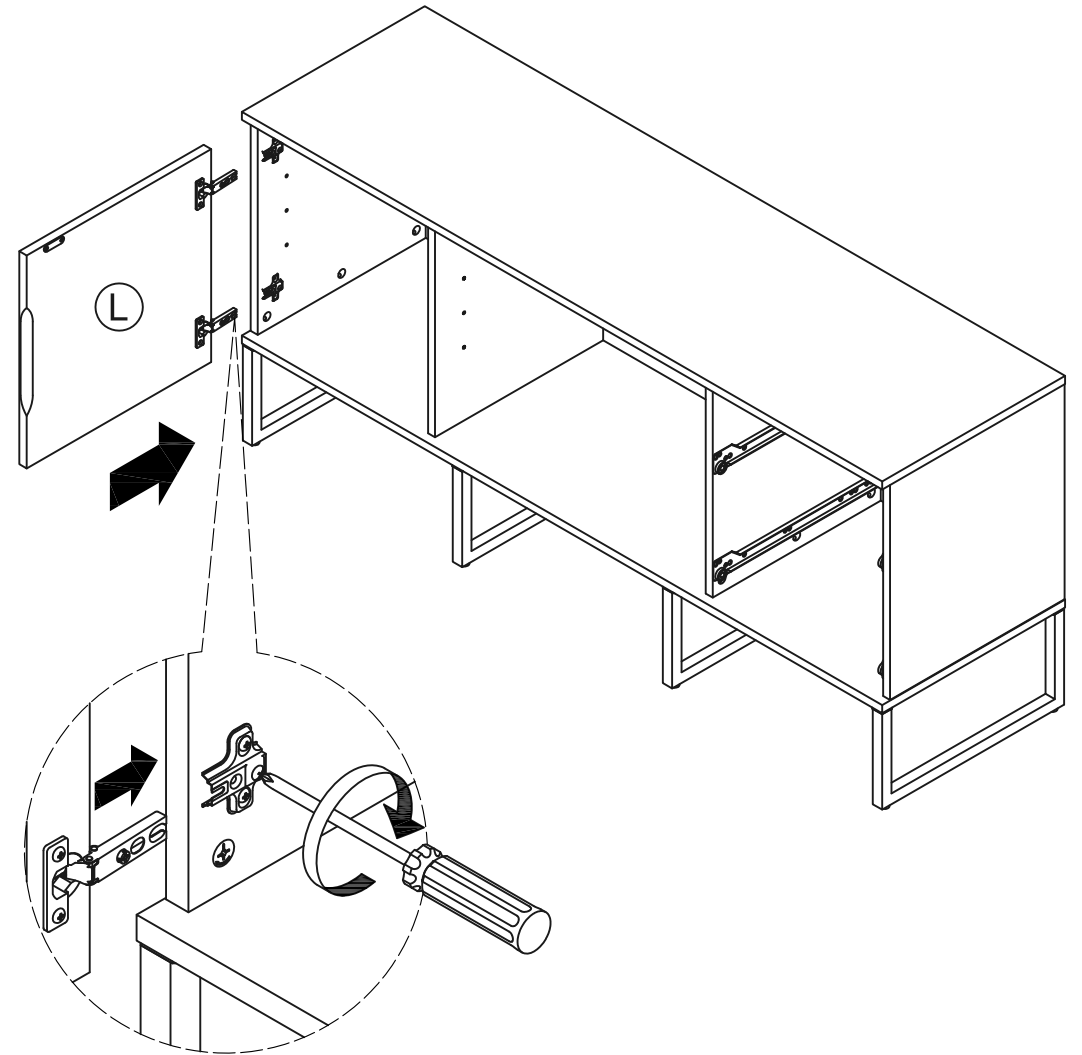
STEP 7 ATTACH BOTTOM PANEL TO UNIT USING CAM LOCKS AND DOWELS.



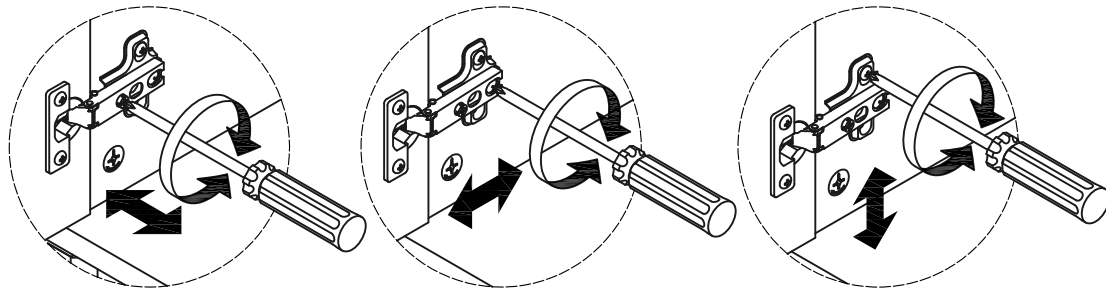
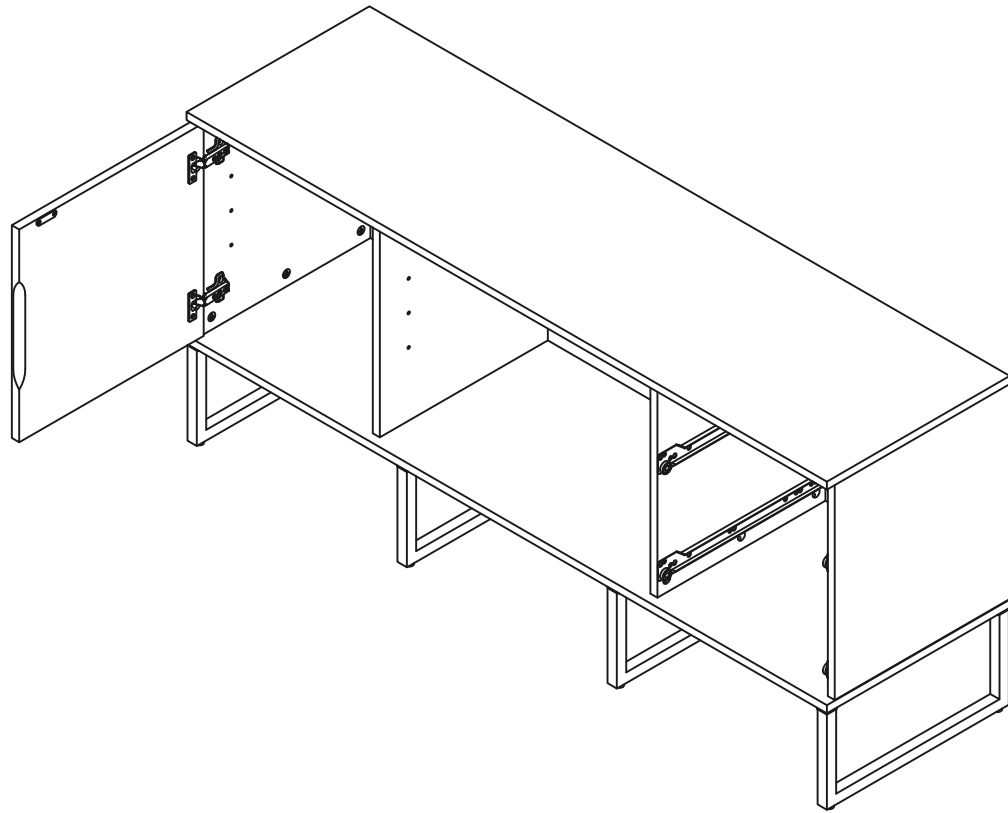
STEP 8 ATTACH LEG FRAMES TO UNIT USING 15 MM BOLTS AND SPRING WASHERS. TIGHTEN BOLTS USING L KEY.



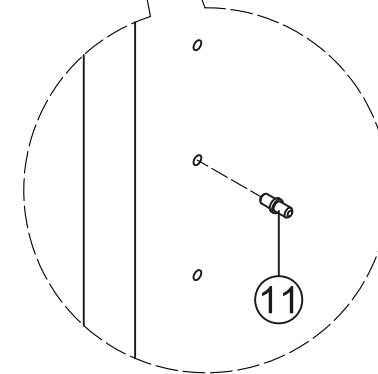
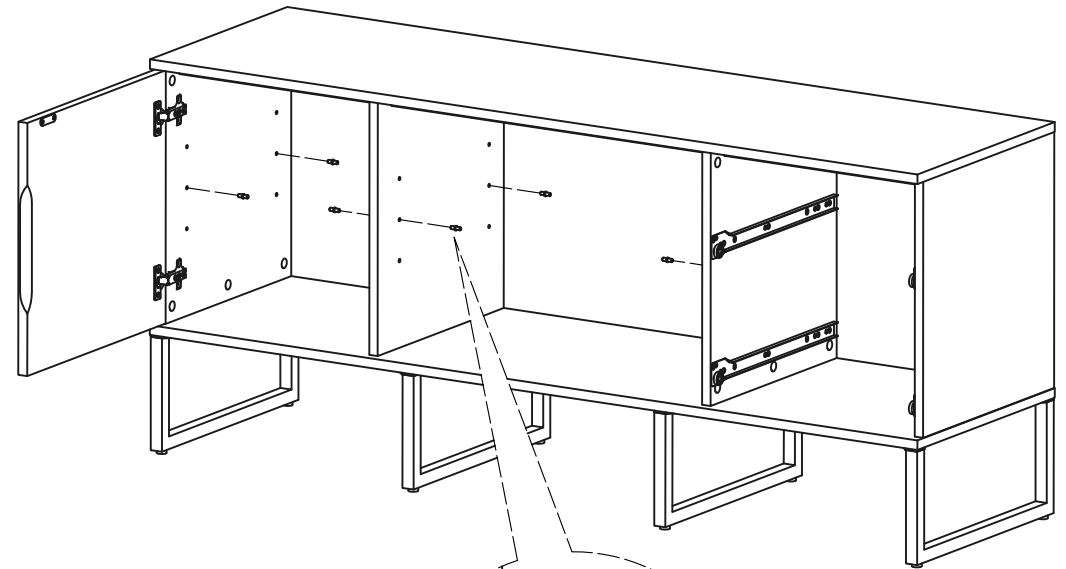
STEP 9 ATTACH WEDGES TO UNIT USING 5/8" FLAT HEAD SCREWS.



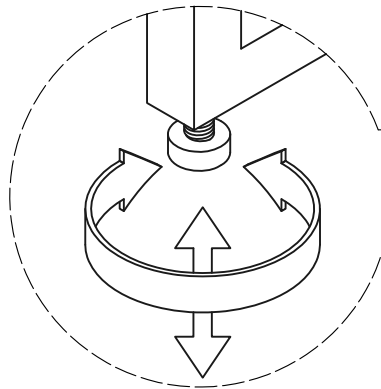
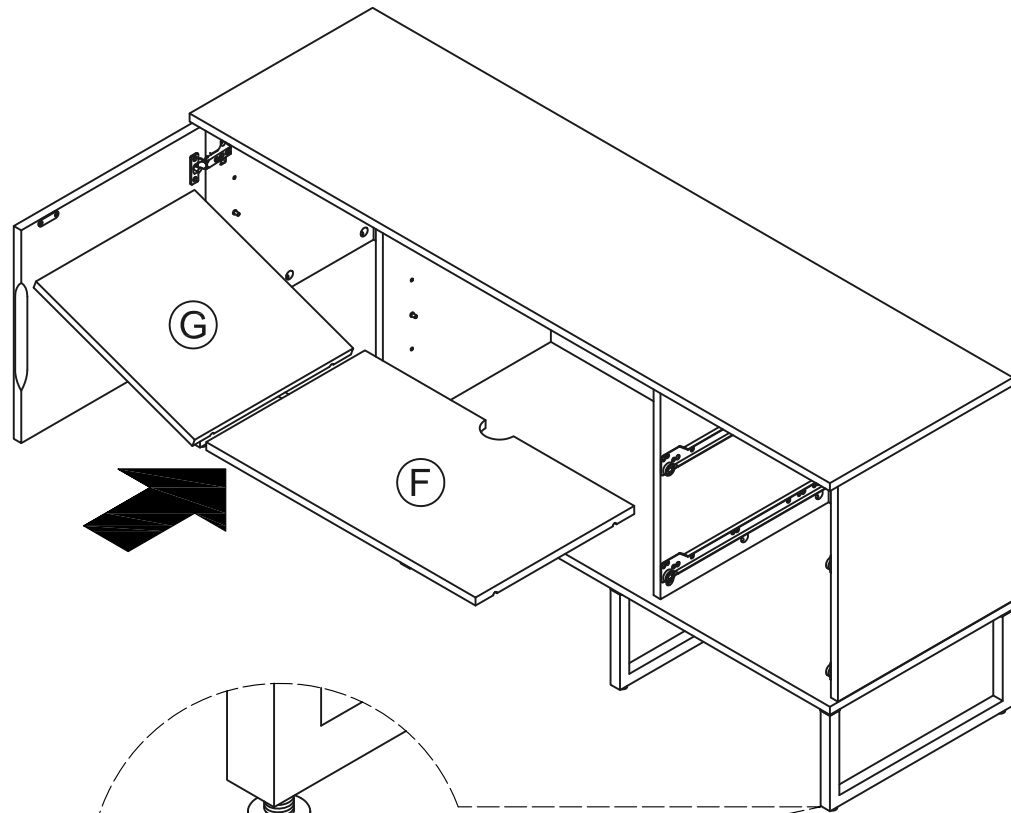
STEP 10 ATTACH DOOR TO UNIT.



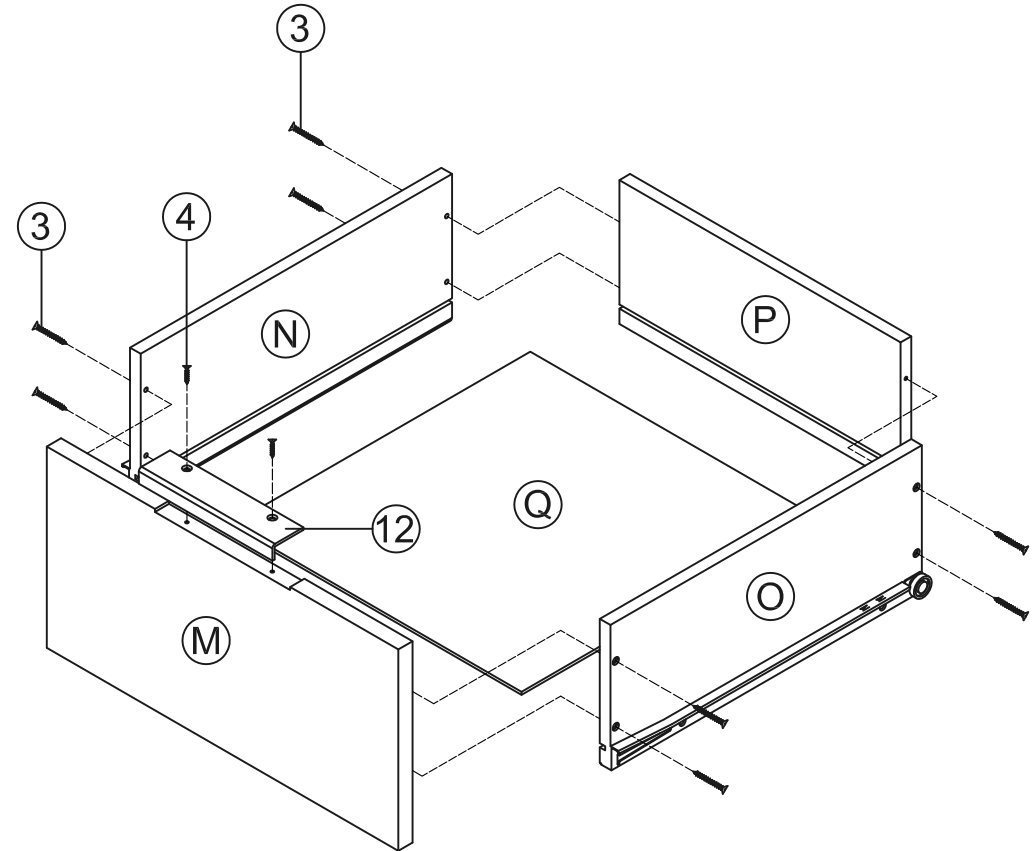
STEP 11 FRONT MIDDLE SCREW ON HINGE WILL ADJUST YOUR DOOR TO THE LEFT AND RIGHT. BACK MIDDLE SCREW ON HINGE WILL ADJUST YOUR DOOR FORWARD AND BACKWARD. SCREW ON HINGE BASE WILL ADJUST YOUR DOOR UP AND DOWN.



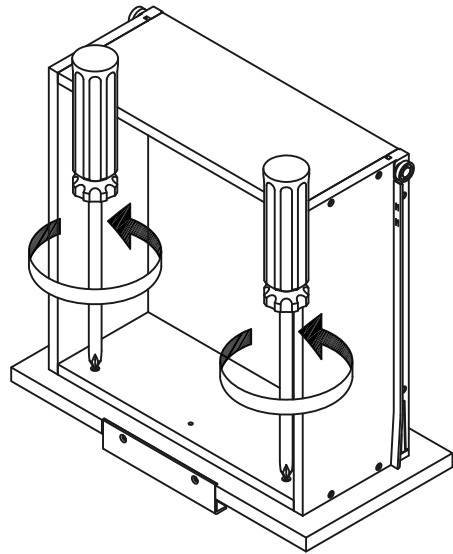
STEP 12 INSERT SHELF SUPPORT PINS INTO PANELS AT DESIRED LEVEL.



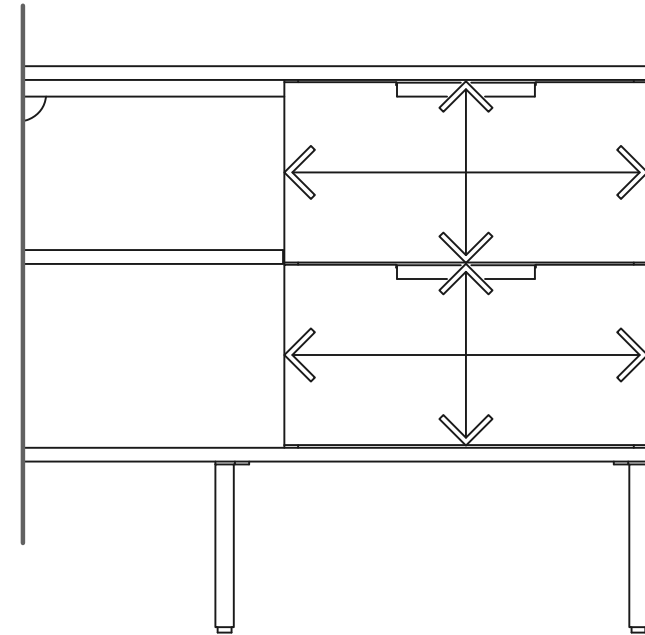
STEP 13 PLACE LARGE AND SMALL ADJUSTABLE SHELVES TO UNIT. ADJUST THE ADJUSTER THAT HAS ALREADY BEEN ASSEMBLED TO THE LEGS TO STABILIZE YOUR UNIT.



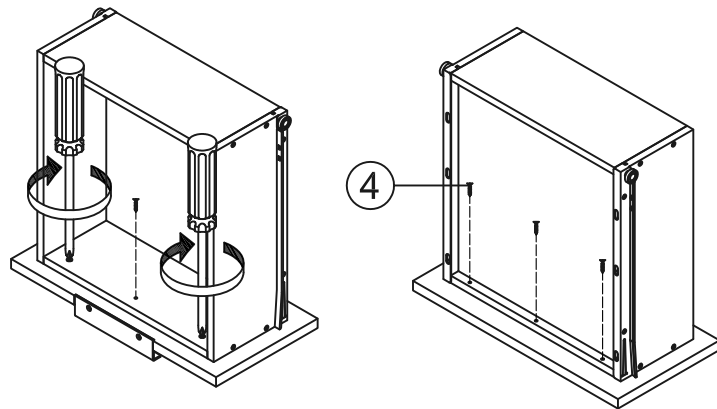
STEP 14 ATTACH DRAWER LEFT AND RIGHT TO DRAWER BACK USING 1 1/4" FLAT HEAD SCREWS. SLIDE DRAWER BASE INTO THE GROOVE. ATTACH DRAWER FRONT TO DRAWER LEFT AND RIGHT USING 1 1/4" FLAT HEAD SCREWS. ATTACH HANDLE TO DRAWER FRONT USING 3/4" FLAT HEAD SCREWS.



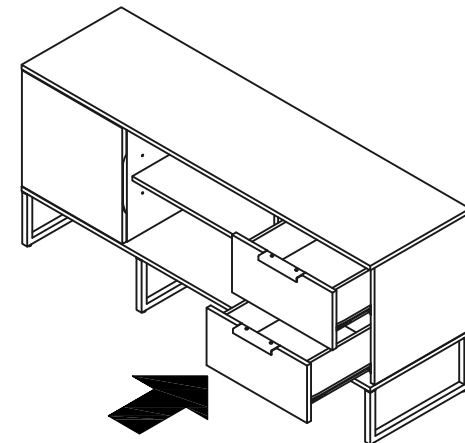
STEP 15 LOOSEN SLIGHTLY THE SCREWS PRE-INSTALLED ON THE BACK OF THE DRAWER FRONTS.



STEP 16 INSERT THE DRAWER INTO THE UNIT, THEN ADJUST THE DRAWER FRONT PANEL LEFT OR RIGHT AND UP OR DOWN UNTIL THE DRAWER GAPS LOOK PROPORTIONAL.



STEP 17 PULL THE DRAWER OPEN SLOWLY AND RE-TIGHTEN THE SCREWS FROM STEP 11. MAKE SURE THE FRONT PANEL DOES NOT MOVE AND LOCK THE DRAWER FRONT PANEL INTO POSITION WITH 3/4" FLAT HEAD SCREWS.



STEP 18 SLIDE THE DRAWERS INTO UNIT.