


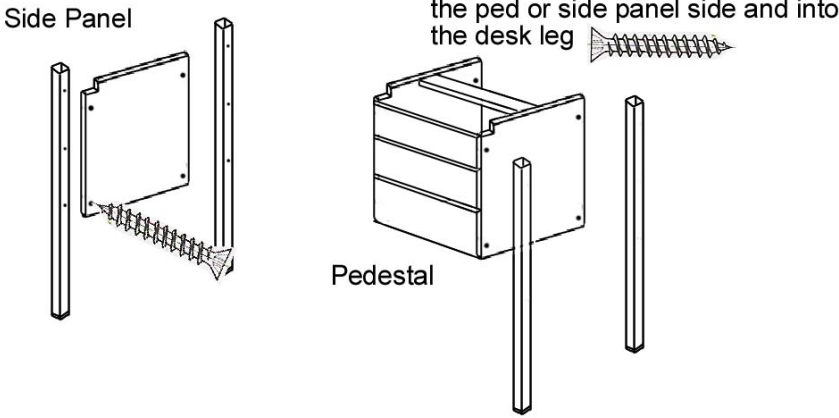


Standard 4 Legged Desk

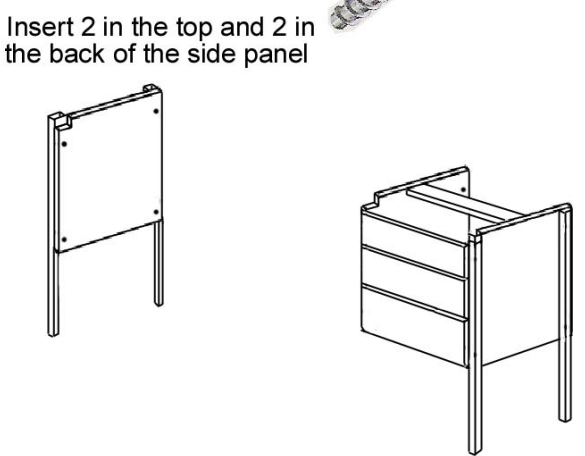
<p>A</p>  <p>8 x Desk leg Screws</p>	<p>B</p>  <p>10 x Blum Pin Screws</p>	<p>C</p>  <p>2 x Desk Bar Screws</p>	<p><i>Note:</i> Fittings are located in the side panel and pedestal packs</p>
---	---	---	---

Instructions shown on how to build a R/H Pedestal Desk

Step 1, Connecting Legs

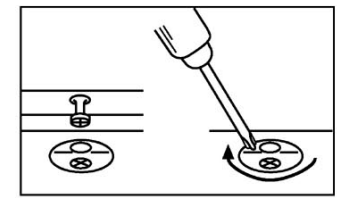
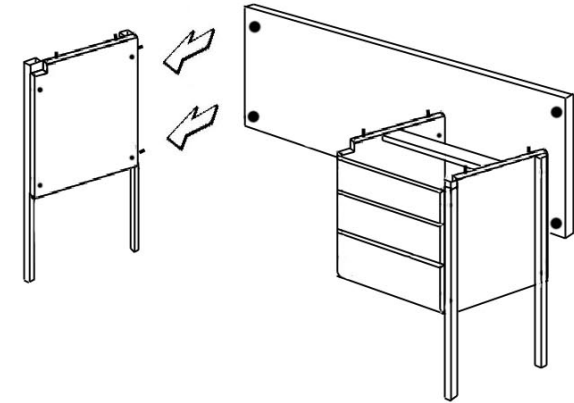


Step 2, Blum Pins



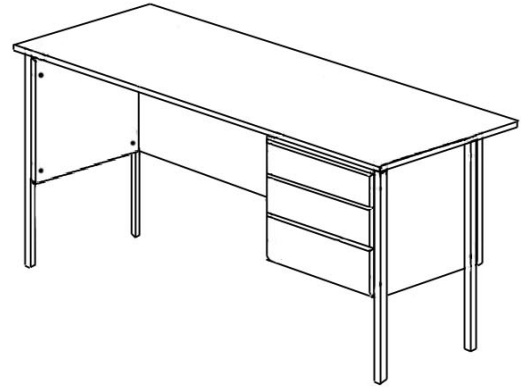
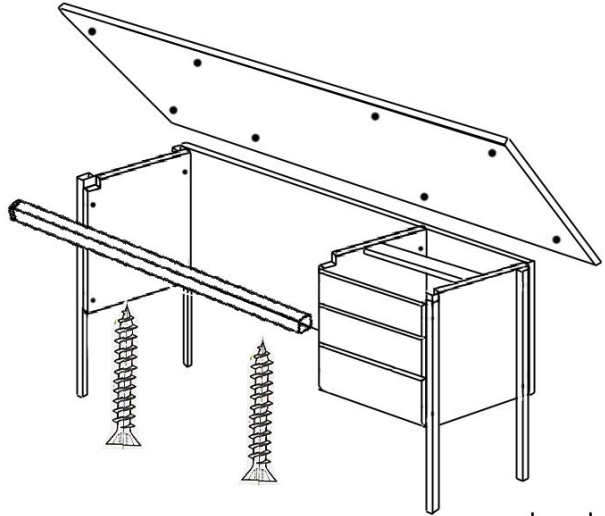
Insert 4 in the top of the pedestal (2 each side) and 2 in the ped side that has the legs attached to it

Step 3, Attaching Backpanel



Attach backpanel to the back of the pedestal and side panel, tighten by turning fittings half a turn as per diagram

Step 4, Attaching Top and Bar



Finished Assembly

Lay desk support bar across the front of the desk chassis, Locate top onto the fittings in the top of the side panel and pedestal, tighten as per diagram in step 3.
With the long screws provided screw thru the desk bar and into the underside of the desk top