

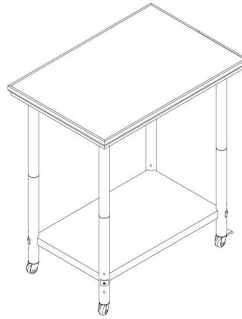
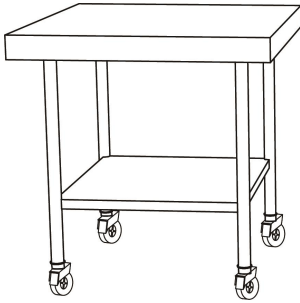
WORKBENCH

USER MANUAL

We continue to be committed to provide you tools with competitive price.

"Save Half", "Half Price" or any other similar expressions used by us only represents an estimate of savings you might benefit from buying certain tools with us compared to the major top brands and does not necessarily mean to cover all categories of tools offered by us. You are kindly reminded to verify carefully when you are placing an order with us if you are actually saving half in comparison with the top major brands.

WORKBENCH



NEED HELP? CONTACT US!

This is the original instruction, please read all manual instructions carefully before operating. We reserves a clear interpretation of our user manual. The appearance of the product shall be subject to the product you received. Please forgive us that we won't inform you again if there are any technology or software updates on our product.

SAFETY INSTRUCTIONS

WARNING:

Read this material before using this product. Failure to do so can result in serious injury.

Assembly precautions

1. Assemble only according to these instructions. Improper assembly can create hazards.
2. Keep the assembly area clean and well-lit.
3. Keep bystanders out of the area during assembly.
4. Do not assemble when tired or when under the influence of alcohol, drugs or medication.
5. The product capabilities apply to properly and completely assembled products only.
6. For additional information regarding the parts listed in the following pages, please refer to the Assembly Diagram of this manual. Unwrap and separate all parts in a clean work area.

Use precautions

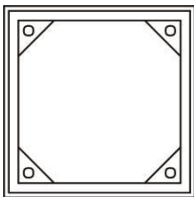
1. Use with products heavier than the rated weights indicated may result in instability causing possible injury.
2. Mounts must be attached as specified in assembly instructions. Improper installation may result in damage or serious personal injury.
3. Make sure that the supporting surface will safely support the combined weight of the equipment and all attached hardware and components.
4. Use the mounting screws provided and **DO NOT OVER TIGHTEN** mounting screws.
5. This product contains small items that could be a choking hazard if swallowed. Keep these items away from children.
6. This product is intended for indoor use only. Using this product outdoors could lead to product failure and personal injury.

SAVE THIS MANUAL

PRODUCT PARAMETER

Model	Maximum Loaded Weight	Product Size
GZT61*30.5*85	Top 400 pounds Floor 300 pounds	307*612*862mm
GZT61*45*85		610*450*860mm
GZT76*45*85		760*450*860mm
GZT76*30.5JL		762*304.8*863.6mm
GZT91*76JL		910*760*860mm
GZT76X60L		760*600*850mm
GZT90X60L		900*600**850mm

PARTS LIST



A x 1



B x 4



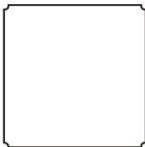
C x 12



D x 4



E x 1



F x 1



G x 4



H x 4



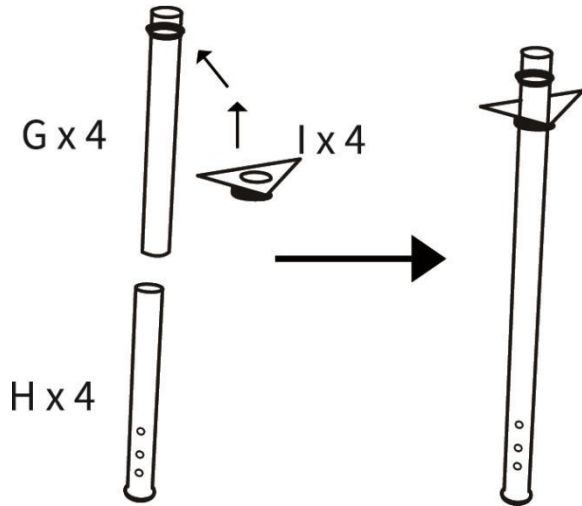
I x 4



J x 4

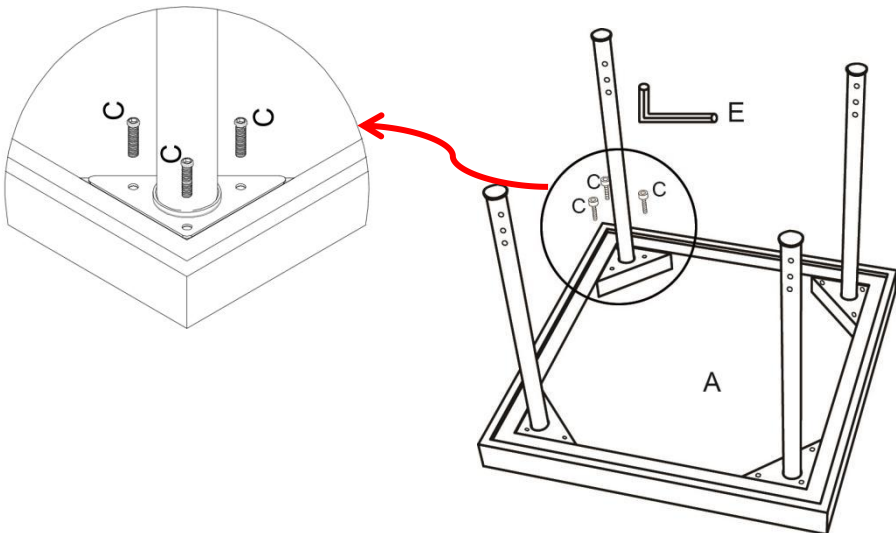
ASSEMBLY STEP

STEP1

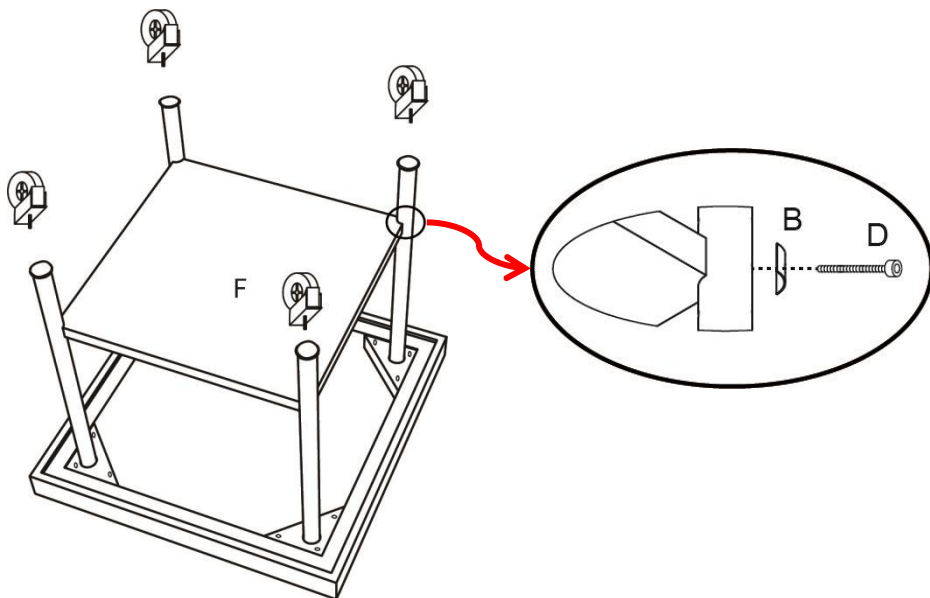


Note: The table legs are in one section, please skip this step.

STEP2



STEP3



STEP4

