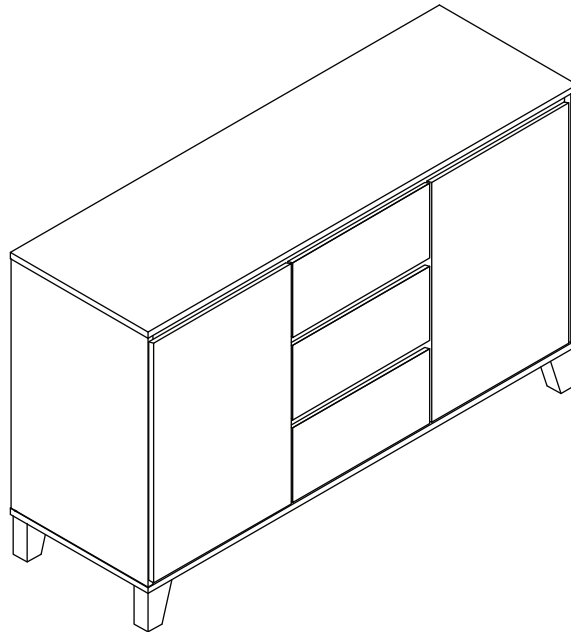


# ASSEMBLY INSTRUCTIONS


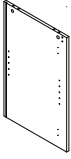
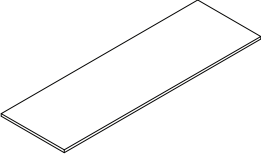

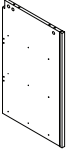
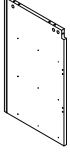
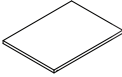
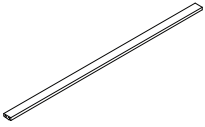

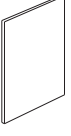
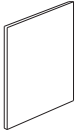





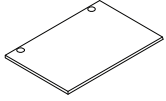
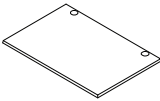


## CONSOLE TABLE



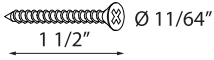
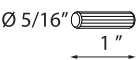
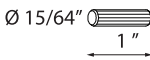
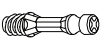



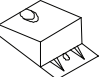
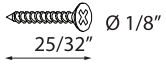

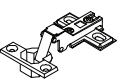
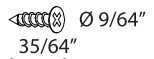
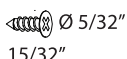

### NOTE TO CUSTOMERS:

- For ease and speed of assembly we recommend that before you commence each step of the assembly that you identify all the parts required to complete that step.
- We recommend that where possible you allow sufficient space to assemble the item as close as possible to the place where it will be once assembled.
- For the protection of your furniture we recommend that the product is placed on a dry, soft, smooth and clean surfaces during assembly to prevent any damage. Avoid damp and direct sunlight.
- During assembly do not over tighten the screws or bolts, as this may damage the product.
- Please ensure you retain all the product packaging until the item is completely assembled.
- Periodically check all fitting and re-tighten as necessary.
- Never allow any liquids to remain on your furniture as absorption can cause the wood to warp or finish to de-laminate.
- It is recommended that this item should be assembled by two adults.

## PARTS IDENTIFICATION

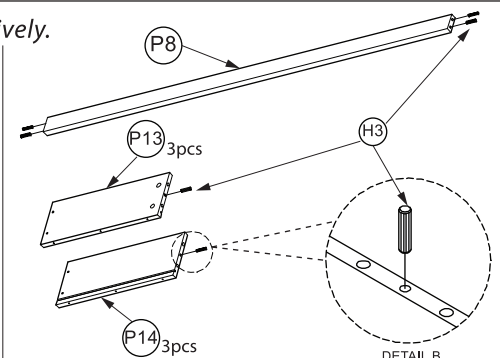
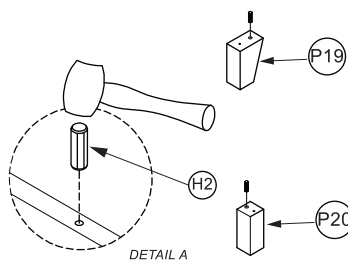
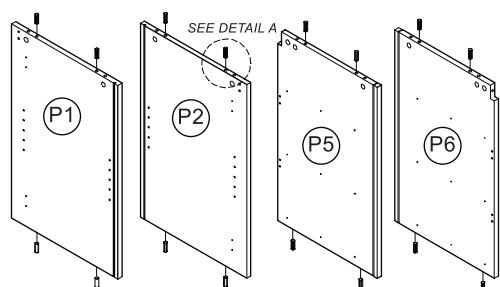
<p>P1 Quantity: 1</p>  <p>Side Panel-Left</p>	<p>P2 Quantity: 1</p>  <p>Side Panel-Right</p>	<p>P3 Quantity: 1</p>  <p>Top Panel</p>	<p>P4 Quantity: 1</p>  <p>Bottom Panel</p>	<p>P5 Quantity: 1</p>  <p>Middle Panel-Left</p>
<p>P6 Quantity: 1</p>  <p>Middle Panel-Right</p>	<p>P7 Quantity: 2</p>  <p>Adjustable Shelf</p>	<p>P8 Quantity: 1</p>  <p>Front Rail</p>	<p>P9 Quantity: 2</p>  <p>Carcass Rail</p>	<p>P10 Quantity: 2</p>  <p>Back Panel</p>
<p>P11 Quantity: 1</p>  <p>Back Panel</p>	<p>P12 Quantity: 3</p>  <p>Drawer front Panel</p>	<p>P13 Quantity: 3</p>  <p>Drawer - Left Side Panel</p>	<p>P14 Quantity: 3</p>  <p>Drawer - Right Side Panel</p>	<p>P15 Quantity: 3</p>  <p>Drawer - Back Panel</p>
<p>P16 Quantity: 3</p>  <p>Drawer - Base Panel</p>	<p>P17 Quantity: 1</p>  <p>Door Panel-Left</p>	<p>P18 Quantity: 1</p>  <p>Door Panel-Right</p>	<p>P19 Quantity: 4</p>  <p>Legs</p>	<p>P20 Quantity: 2</p>  <p>Center Legs</p>

## HARDWARE LIST

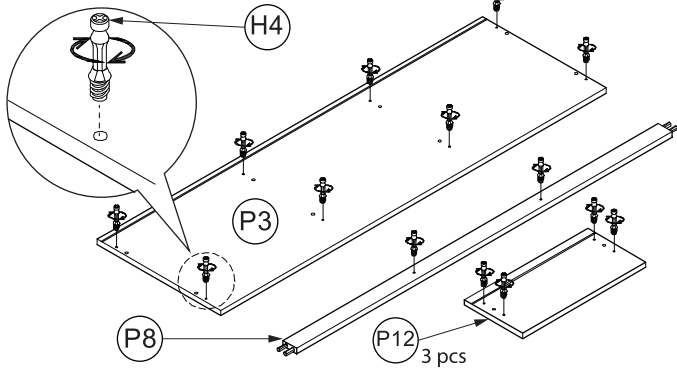
<p>H1 Screw #9 x 1 1/2"</p>  <p>Quantity: 34 pcs</p>	<p>H2 Wooden Dowel m8 x 25mm</p>  <p>Quantity: 22 pcs</p>	<p>H3 Wooden Dowel m6 x 25mm</p>  <p>Quantity: 10 pcs</p>	<p>H4 Connecting Bolts</p>  <p>Quantity: 22 pcs</p>	<p>H5 Cam Lock 15/12.5mm</p>  <p>Quantity: 10 pcs</p>
<p>H6 Cam Lock 12/9.5mm</p>  <p>Quantity: 12 pcs</p>	<p>H7 Shelf Support</p>  <p>Quantity: 8 pcs</p>	<p>H8 Corner Wedges</p>  <p>Quantity: 6 pcs</p>	<p>H9 Screw m3 x 20mm</p>  <p>Quantity: 6 pcs</p>	<p>H10 Adhesived shelf stopper</p>  <p>Quantity: 4 pcs</p>
<p>H11 Door Hinges</p>  <p>Quantity: 4 sets</p>	<p>H12 Screw m3.5 x 14mm</p>  <p>Quantity: 16 pcs</p>	<p>H13 Screw m4 x 12mm</p>  <p>Quantity: 36 pcs</p>	<p>H14 Drawer Slider</p>  <p>Quantity: 3 sets</p>	

### STEP 1

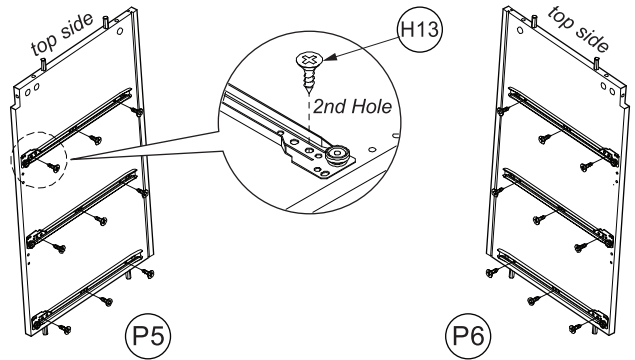
insert wooden dowels (H2) & (H3) into the following parts respectively.



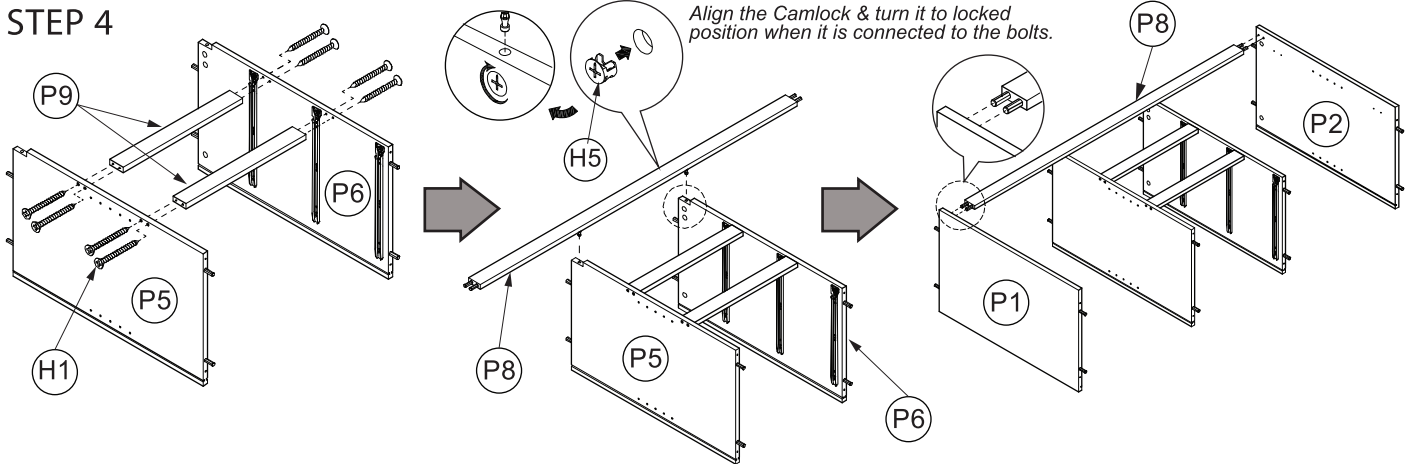
**STEP 2** Align the connecting bolts (H4) into the following parts by using a house hold screw driver.



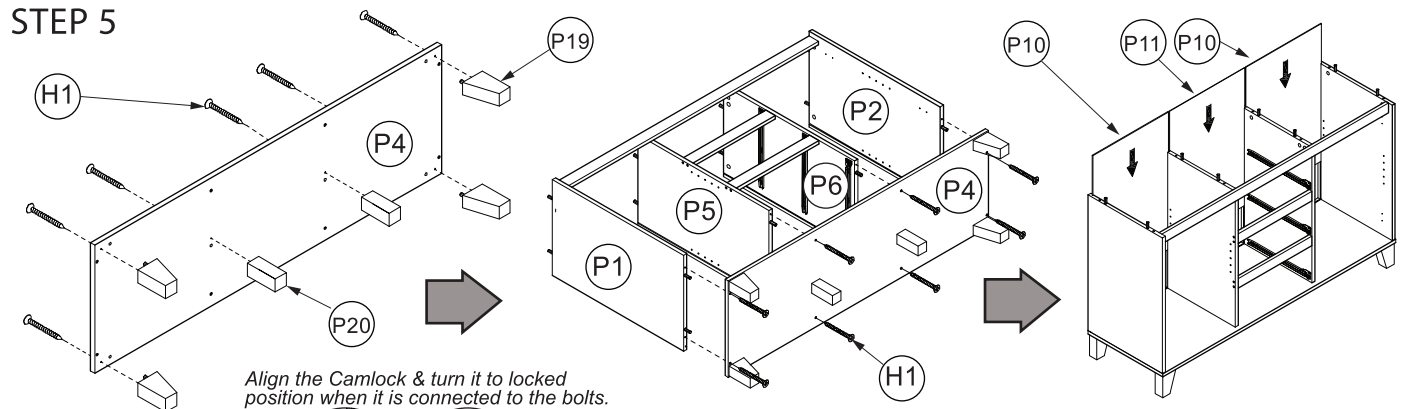
**STEP 3** Install one part of the Drawer Slides (H14) to (P5) & (P6).



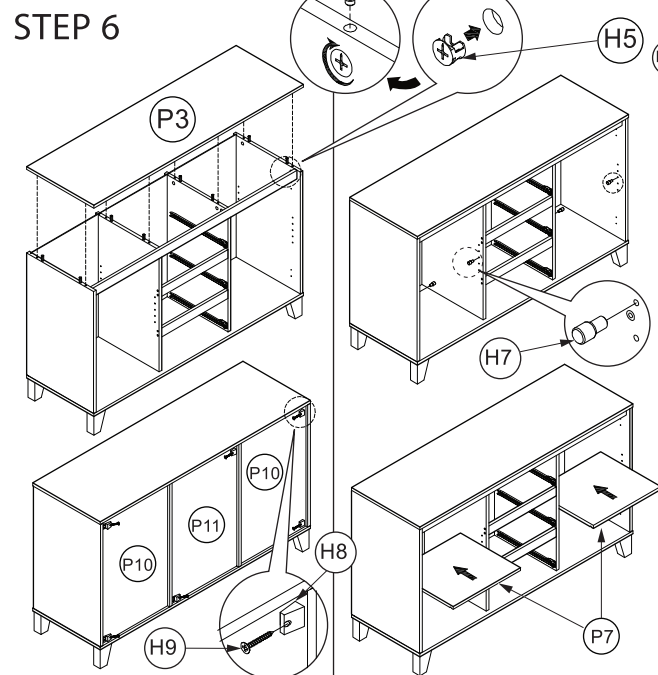
**STEP 4**



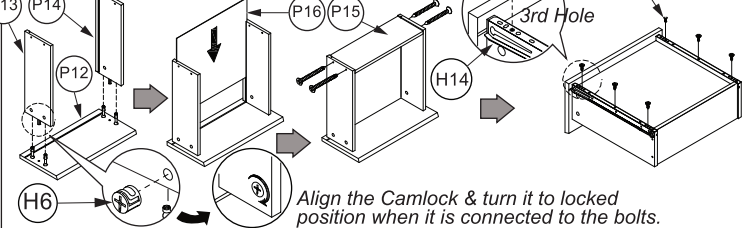
**STEP 5**



**STEP 6**



**STEP 7** Drawer assembly. three sets of drawers



**STEP 8** Door assembly.

