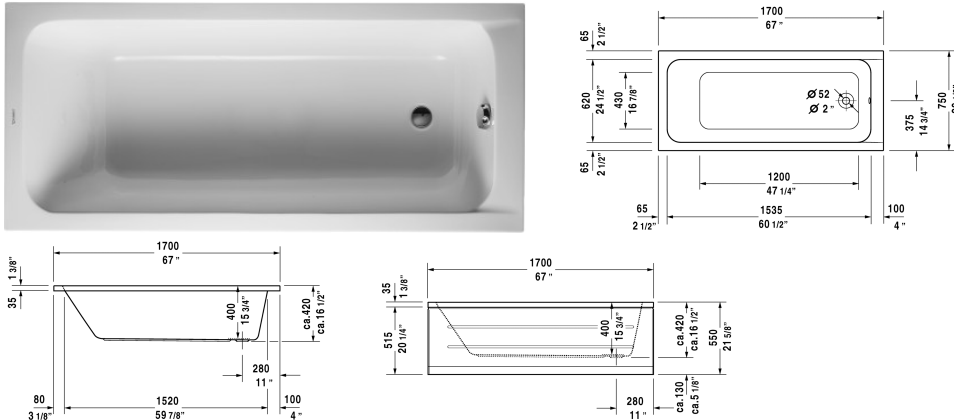


**Bathtub # 70010000000090 / 70010000000092 /  
710100001001090 / 710100002001090 / 710100002501090 /  
710100002511090**

| < 66 7/8" Inch > |



Bathtub	Dimension	Weight	Order number
rectangle, built-in, with one backrest slope, outlet in foot area, cUPC listed, 1/4" sanitary acrylic			
<b>Colors</b>			
00 White			
<b>Variant</b>			
Base tub	66 7/8" x 29 1/2" Inch	44 lb	70010000000090
Base tub	66 7/8" x 29 1/2" Inch	44 lb	70010000000092
Air-System	66 7/8" x 29 1/2" Inch	44 lb	710100001001090
Jet-System	66 7/8" x 29 1/2" Inch	44 lb	710100002001090
Jet-System with heater	66 7/8" x 29 1/2" Inch	44 lb	710100002501090
Jet-System with heater and ozone	66 7/8" x 29 1/2" Inch	44 lb	710100002511090
<b>Accessory for bath- and whirtub</b>			
Bathtub anchors for mounting and support of D-Code bathtubs and shower trays, 3 pieces			790125
Tile flange			790112
Support frame (included)			790133
Cable-driven waste and overflow			790220
<b>Suitable tub covers</b>			
Tub cover, 2 pcs. 29 1/2" x 16 3/4"			791824
Tub cover with cut-out for hand shower tube, 2 pcs. 29 1/2" x 16 3/4"			791825

**Bathtub #** 700100000000090 / 700100000000092 /  
710100001001090 / 710100002001090 / 710100002501090 /  
710100002511090

---

|< 66 7/8" Inch >|

*binding. Exact measurements, in particular for customized installation scenarios, can only be taken from the finished ceramic piece.*