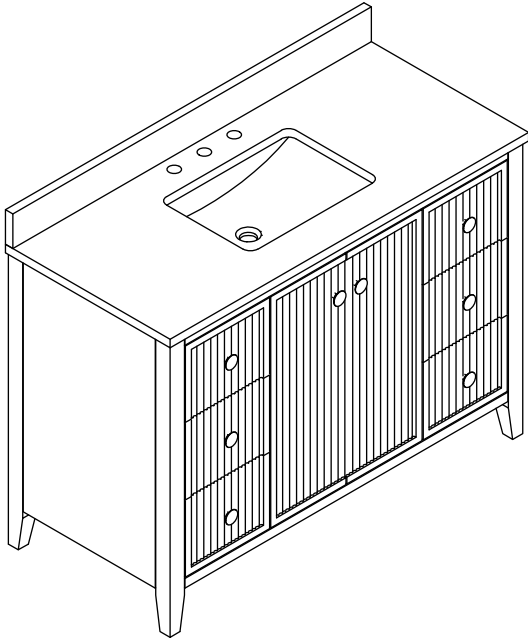


BATHROOM VANITY SET

Colors/Finishes: Ash, Black

Nominal Dimension:48W*22D*35H inches

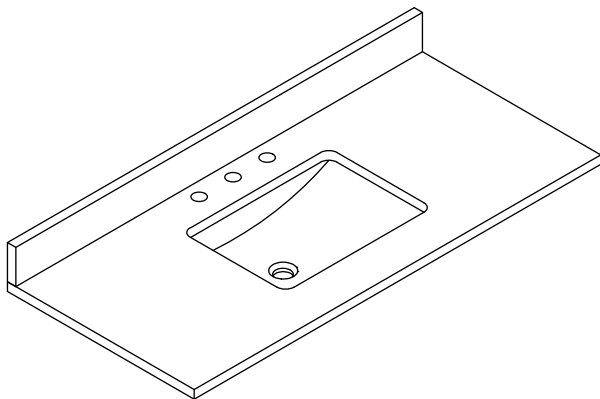


VANITY FEATURES:

- 1.Material: Solid wood frame, high-quality vanner plywood.
- 2.Doors: 2 soft-close doors, Austrial BLUM Soft-close hinges system.
- 3.Drawers: 6 soft-close drawers ,DTC concealed soft-close sliders.
- 4.Hardware: Metal Alloy
- 5.Installation Type: Freestanding
- 6.Built-in Adjusters: Adjustable height levelers
- 7.Vanity Top: High-quality quartz/marble with single undermount sink
- 8.Assemble required: No
- 9.Vanity top Included: Yes
- 10.Mirror Included: Optional
- 11.Medicine Cabinet Included: Optional

Contents

- 48"Vanity.....PAGE2
- 48"Vanity Top.....PAGE3
- Vanity Installation.....PAGE4



VANITY TOP FEATURES:

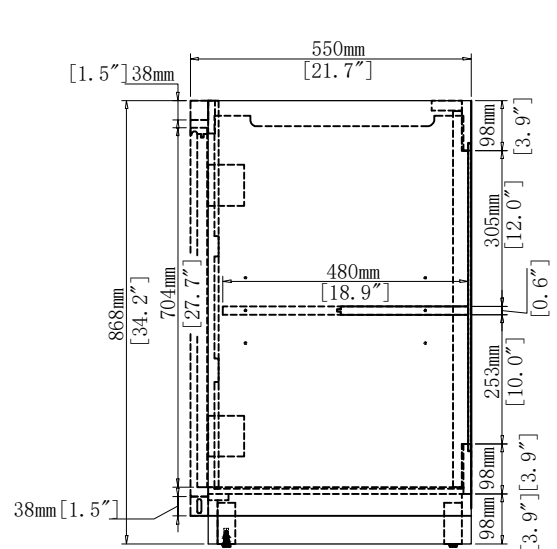
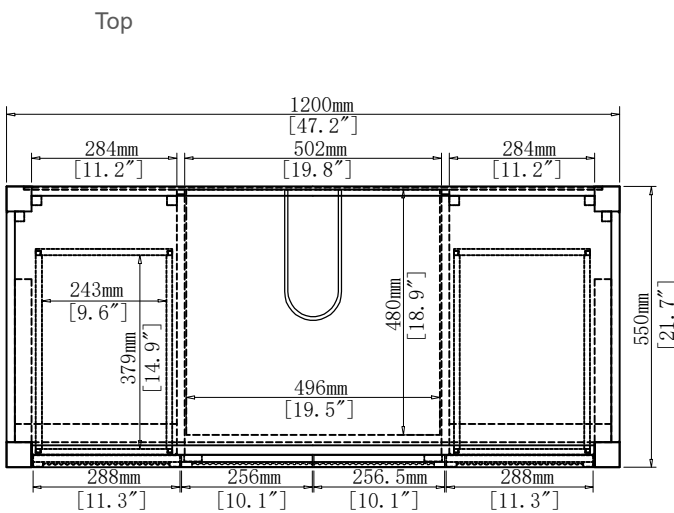
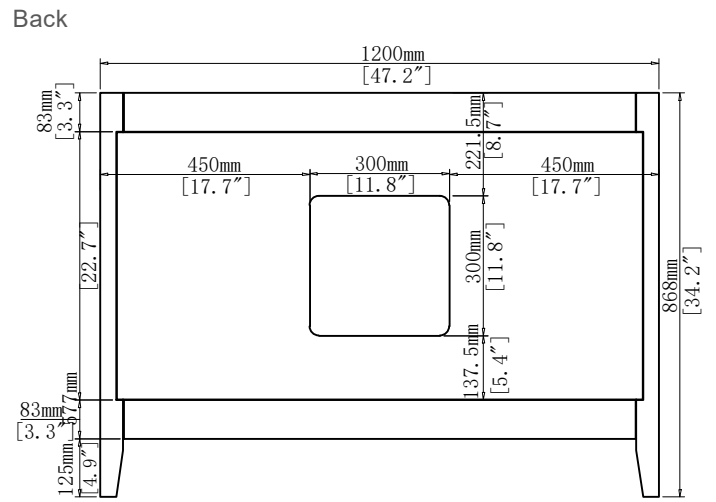
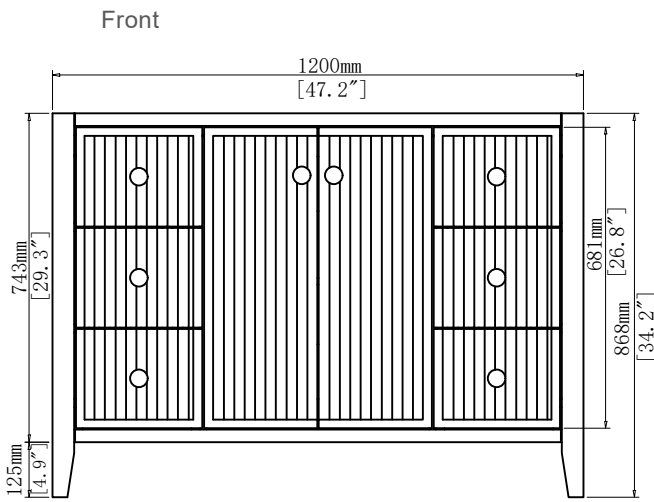
- 1.Material: Highly resilient, nonporous, scratch-and stain-resistant quartz,or natural Italian Carrera white marble.
- 2.Top Color: Carrera white
- 3.Sink: 1*20"undermount rectangle sink
- 4.Faucet Holes: Top pre-drilled for 8"widspread faucet holes
- 5.Sink Certified: CUPC certified
- 6.Backsplash: 4"backsplash included
- 7.Faucet Included: No
- 8.Nominal Dimension(W*D*H): 48W*22D*0.79H inches

BATHROOM VANITY SET

COMPONENTS:

Vanity	AVCD1
Vanity Top	AVKV01
Wall Mirror	WM01
Medicine Cabinet	MC01

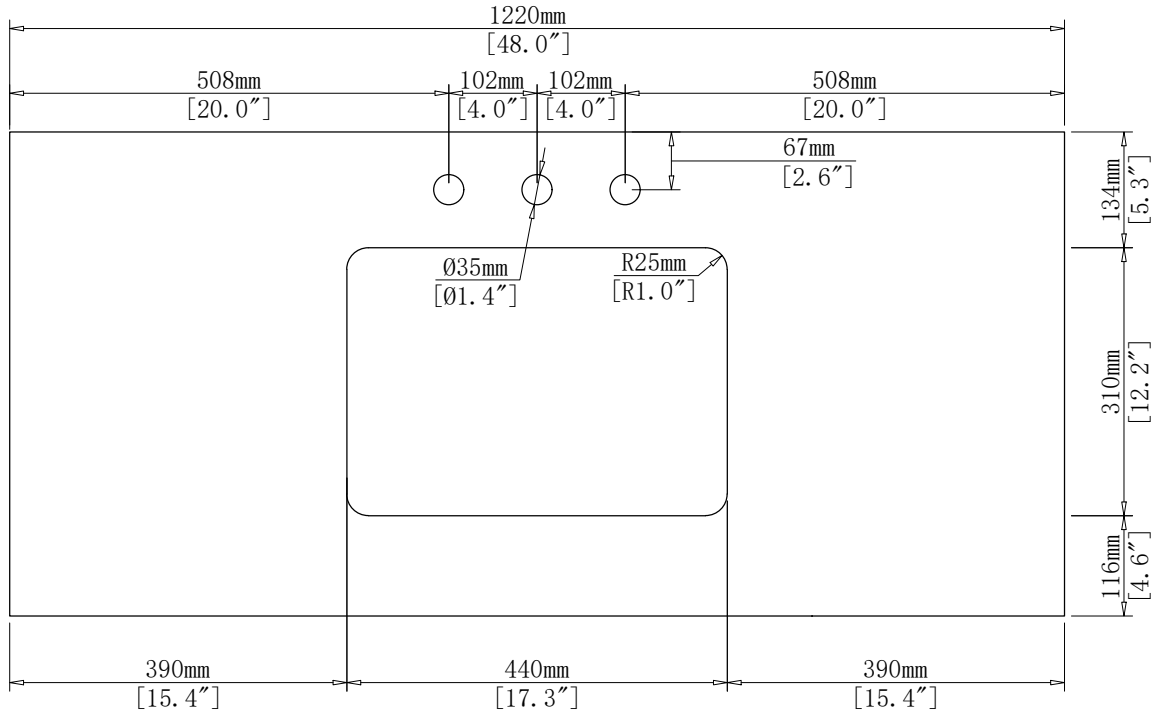
PRODUCT DIAGRAMS:



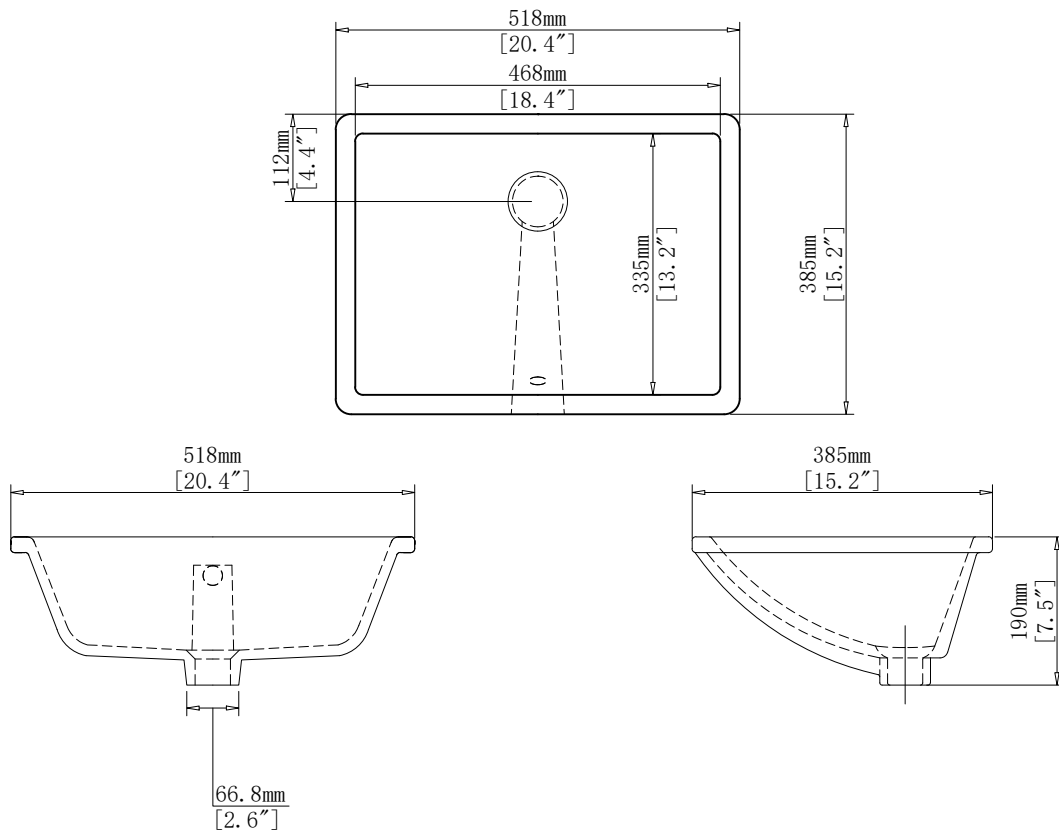
VANITY TOP

With rectangular undermount sink

VanityTop

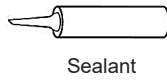


Undermount Sink



Vanity Installation

SUGGESTED TOOLS AND MATERIALS:



Sealant



Measuring tape



Safety glasses



Rag

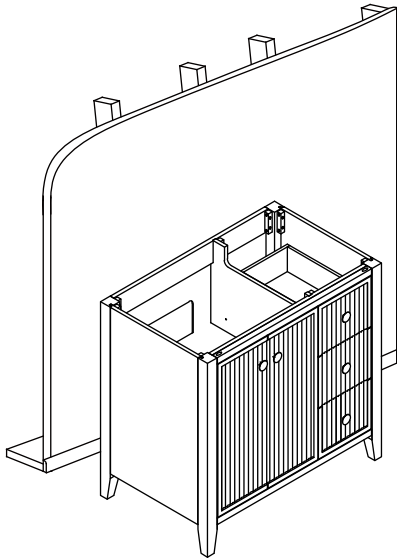


Level

INSTALLATION INSTRUCTLONS

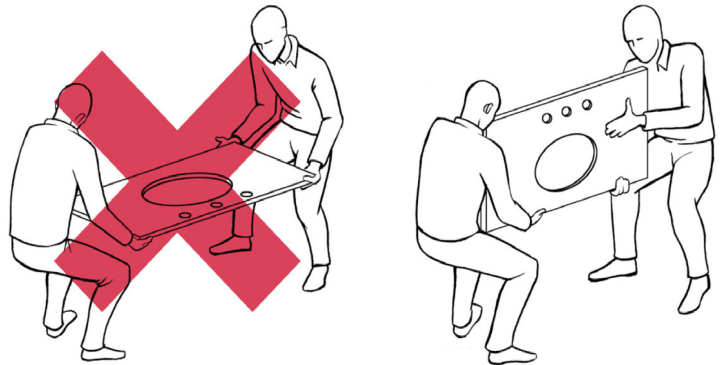
We recommend consulting a professional if you are unfamiliar with installing bathroom fixtures and plumbing .We accept no liability for any damage to the floor,plumbing, vanity cabinet,sink,counter top,or personal injury during installation.

1



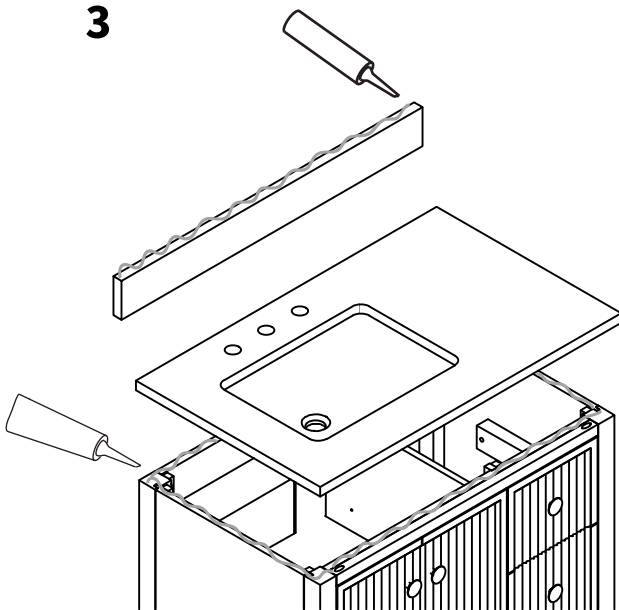
Remove vanity from box and examine vanity for any defects or damage.Carefully place vanity against wall.

2



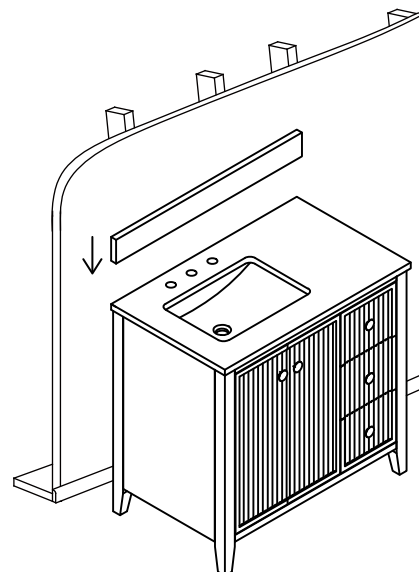
Always use a two man crew,a single person crew is much more likely to break or chip the stone top.

3



Apply bead of quality sealant evenly along the bottom of backsplash and the top of the vanity.

4



Finally,place the bottom side of back splash with sealant onto the counter top and check alignment of back splash.