

Assembly Instructions

Caution : You must read this before you proceed

Sets often ship in multiple boxes and may arrive a day or two apart.

Care & Maintenance



- Not for commercial use. For residential use only.



- Prolonged exposure to rain may cause rusting which can stain floors.



- Do not put hot items directly on furniture surface.



- Do not clean furniture with harsh cleansers or polish.



- To obtain the longest lifespan of your outdoor products, minimizing exposure to direct sunlight is recommended.



- Children should not climb or jump on the furniture.



- Do not write on furniture without a padded barrier to protect the surface.



- To obtain the longest lifespan of your outdoor products, avoid extended and lengthy exposure to rain, snow, and direct sunshine. Whenever possible cover the product and /or place under patio or awnings.



- Stains may be removed with mild soap solution and damp cloth.

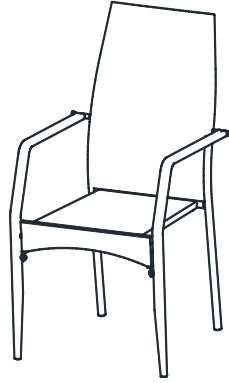


- Keep away from sources of ignition.


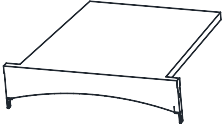




- Dust and pick-up spills using a clean, non-colored, lint-free cloth.

Chair



Part List

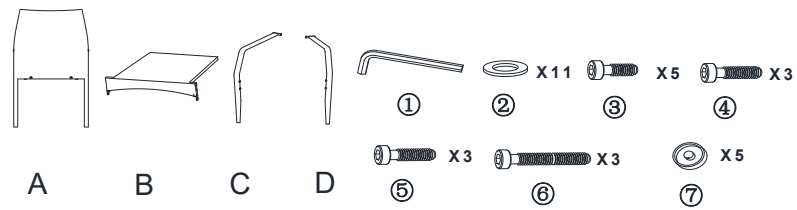
Label	Picture	Description	QTY
A		Backrest	1
B		Seat	1
C		Left Armrest	1
D		Right Armrest	1




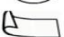

Hardware

Label	Picture	Description	QTY
①		Alley Wrench	1
②		Washer	11
③		Bolt (M6*15mm)	5
④		Bolt (M6*30mm)	3
⑤		Bolt (M6*35mm)	3
⑥		Bolt (M6*75mm)	3
⑦		PE Cap	5

Assembly Preparation

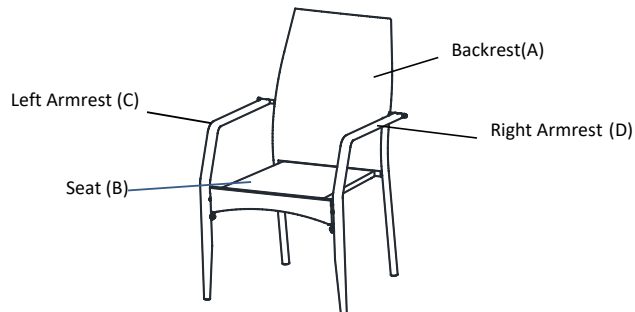
Before Beginning Assembly:



-  • Read instructions, cover to cover-
-  • Have 2 adults on hand for assembly-
-  • Do not assemble on flooring or carpet-
-  • Assemble on a clean non-marring surface (packing foam)-
-  • Save all packaging until finished-

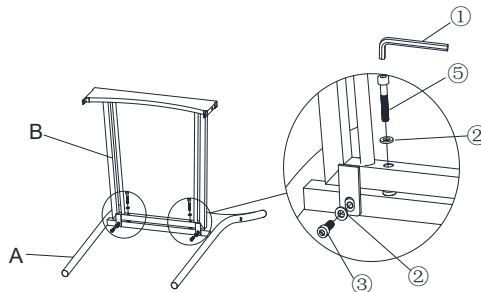
Assembly Steps

Overview



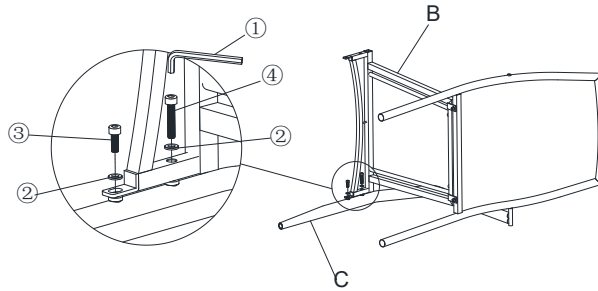
This Chair has multiple parts and may require up to 30 minutes to assemble. To give you an overview of the Chair parts, the above picture is to help you put the various parts into perspective. Please read through the instructions below to familiarise yourself with the parts and steps before assembly.

Step 1



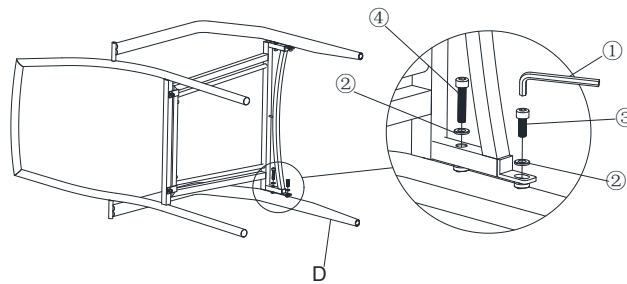
Open the carton, and place all parts onto a clean, non-marring surface.
 Attach the Seat (B) to Backrest (A) using Bolts (5&3) and Washers (2) with Allen Wrench (1) as shown above.
Do not fully tighten the Bolts.

Step 2



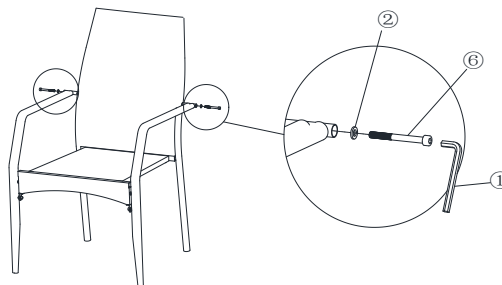
Attach the Seat (B) to Left Armrest(C) using Bolts (4&3) and Washers (2) with Allen Wrench (1) as shown above. Do not fully tighten the Bolts.

Step 3



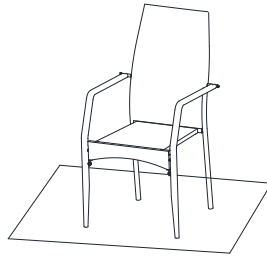
Attach the Seat (B) to Right Armrest(D) using Bolts (4&3) and Washers (2) with Allen Wrench (1) as shown above. Do not fully tighten the Bolts.

Step 4



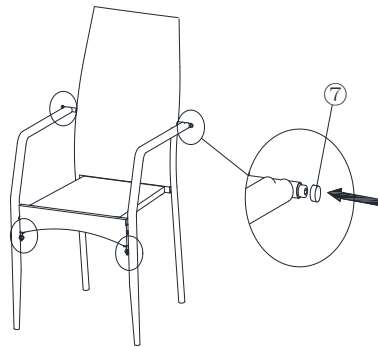
Attach the Left Armrest (C) and Right Armrest(D) to Backrest (A) using Bolts (6) and Washers (2) with Allen Wrench (1) as shown above. Do not fully tighten the Bolts.

Step 5

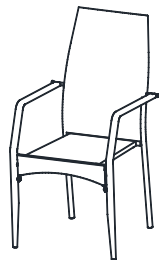


Place the Chair on a LEVEL SURFACE to check for wobbles.
If it wobbles, lift the Chair some 30cm to 50cm high from the ground.
Keep your feet and toes well away from the drop zone.
Drop the Chair freely and vertically with all four legs, hitting the ground, all at the same time.
This Drop Test will help to ensure that all the Bolts and gaps reach full alignment status.
Test again for evenness on a LEVEL SURFACE.
If no wobbles are found, slowly and steadily, place the Chair facedown.
Then, proceed to tighten all Bolts in a sequential manner.
When tightening the Bolts, tighten sequentially.
DO NOT tighten any Bolt fully and then move on towards the next one.
This could cause the frame to warp. If there are still wobbles, loosen the Bolts and execute the same drop test.
If the Chair is not stable, it could lead to damage to the product.

Step 6



Put on the PE Cap (⑦) on the Bolts as shown above.



The Chair is ready for use.
The Chair can only be used on a flat, level surface.