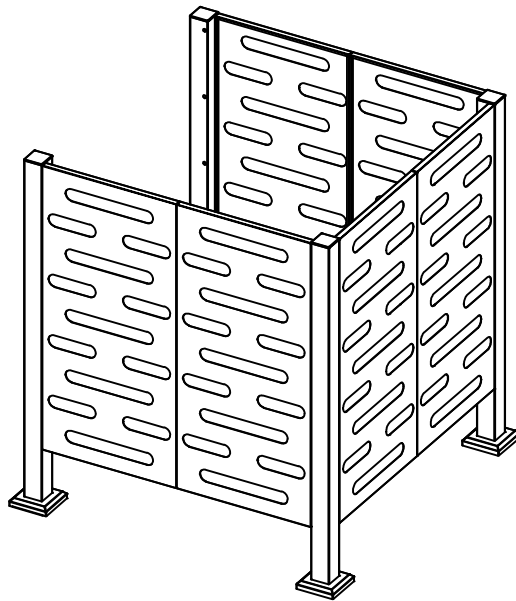


# Steel Fence Cover

## OWNER'S MANUAL

### Instructions for Assembly

---



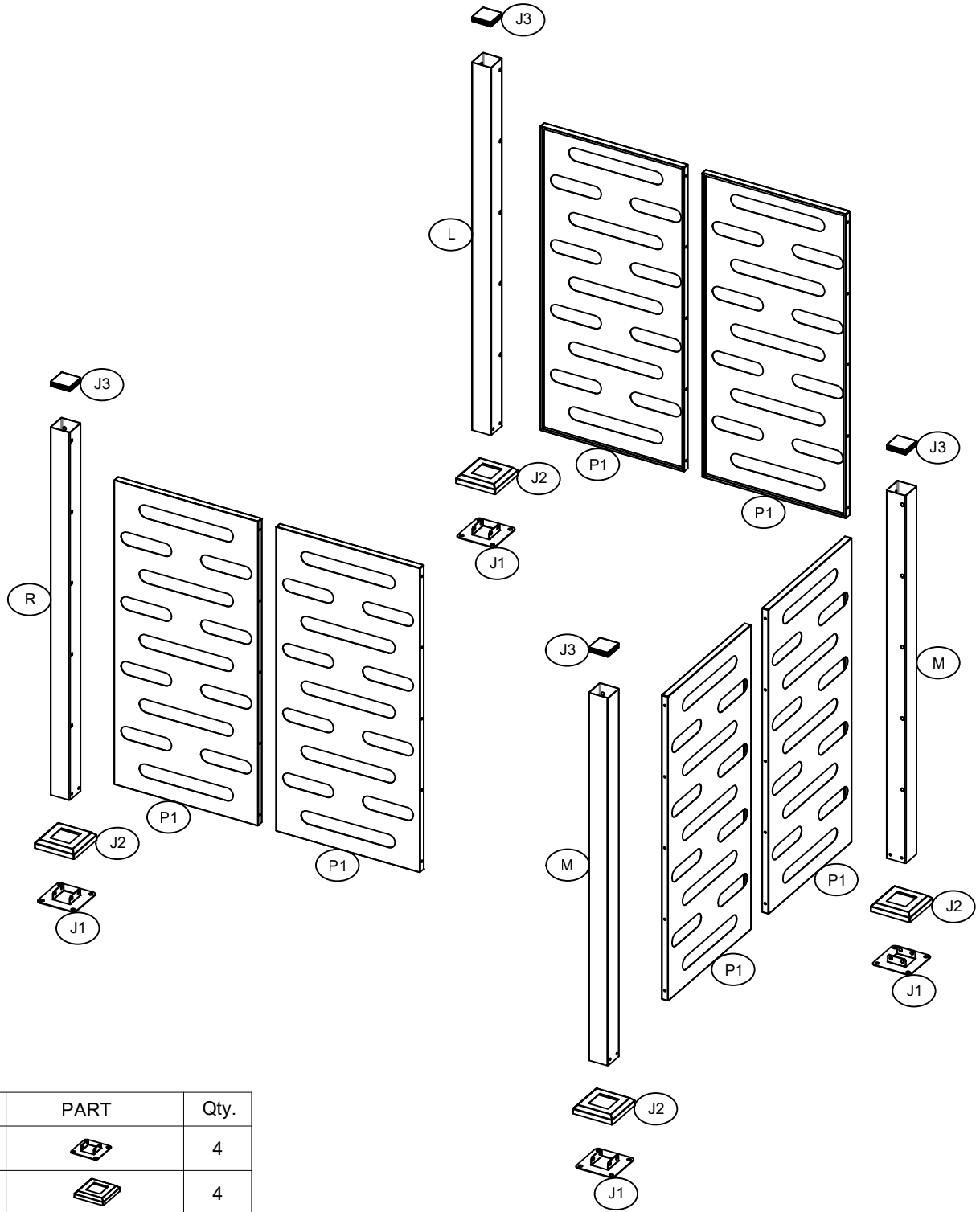
## FB-RT05C




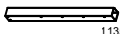
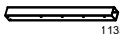
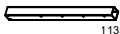






Requires two people and takes 0.2-1.5 hours for Installation.

Quick & Easy Assembly

Ridge Reinforced Walls

Available in Various Sizes



NO.	PART	Qty.
J1		4
J2		4
J3		4
L	 1135mm	1
R	 1135mm	1
M	 1135mm	2
P1	 940mm	6
F1		61
F0		15
A6		16
A7		16
S3		16

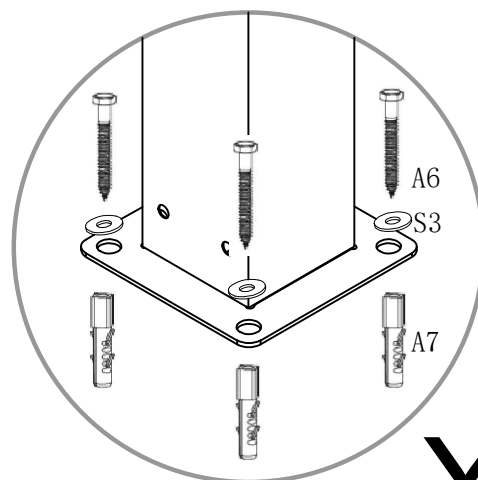
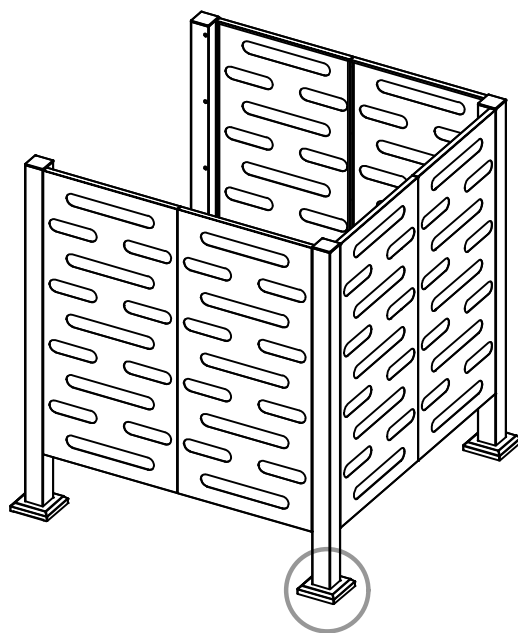
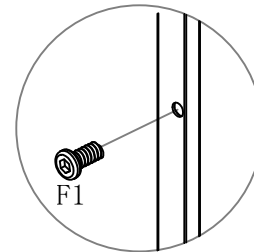
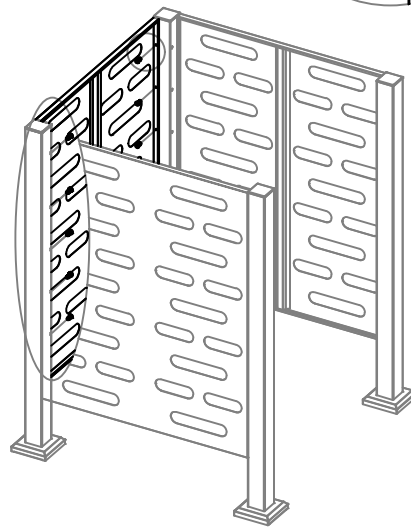
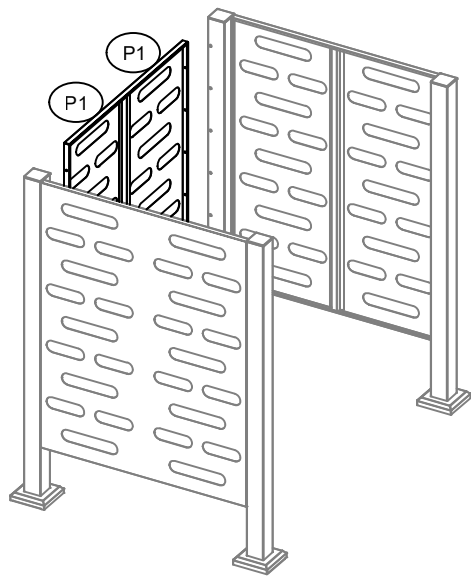
NO.	PART	Qty.
J2		4
J3		4
L		1
R		1
M		2
J1		4

**X4**

NO.	PART	Qty.
P1		6

**X3**

**X2**



X4