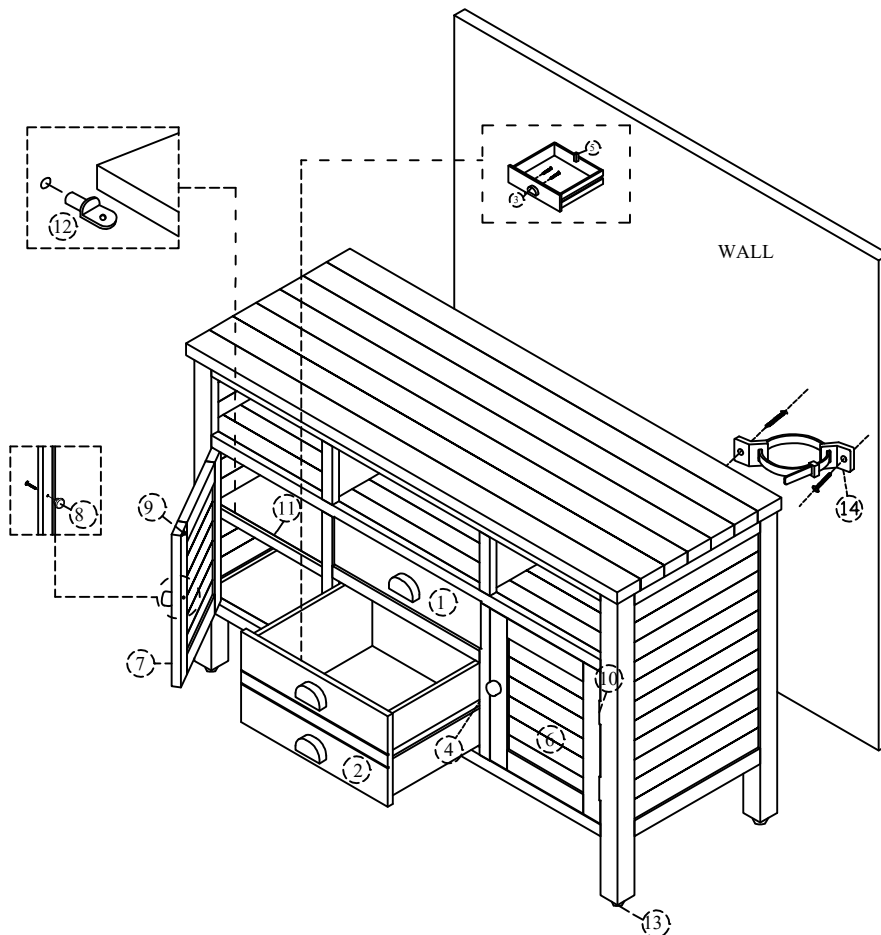


ASSEMBLY INSTRUCTIONS & PARTS IDENTIFICATION MEDIA UNIT

Thank you for purchasing this quality product. Be sure to check all packing material carefully for small parts that may have come loose inside the carton during shipment.

Parts key							
No	Code	Qty	Description	No	Code	Qty	Description
1	a	1 Pcs.	Upper Drawer Complete	9	j	2 Sets.	Door Catch
2	b	1 Pc	Lower Drawer Complete	10	k	4 Sets.	Door Hinge
3	c	3 Sets.	Drawer Pull w/Screws	11	l	2 Pc.	Shelf
4	d	2 Sets.	Drawer Glide	12	z	8 Pcs.	Shelf Pin
5	e	2 Sets	Drawer Stop	13	x	4 Pcs	Floor Glide
6	f	1 Pc.	Right Facing Door	14	c	1 Set.	Anti-tip kit
7	gL	1 Pc.	Left Facing Door				
8	h	2 Sets.	Door Pull w/Screw				



STEP :

- Carefully Turn Media Unit Upright (2 People Recommended To Do So).
 - Insert Shelf Pins Into Locations Of Desired Shelf Height Using 4 Pins Per Shelf.
 - Set Shelf Upon Secured Shelf Pins.
 - Install Drawer Into Designated Locations As Shown In Diagram.
 - Affix Pull To The Drawers And Doors Using Small Kd. Screw, Tightening With A Phillipshead Screwdriver (Not Provided).
- Please Note : To Help Prevent The Possibility Of Tip-over, Install The Anti-tip Over Restraint Provided.**