

# ASSEMBLY INSTRUCTIONS



*Fine Furniture for every stage of life*

## Counter Height Table

REVISION 0: 10/06/2017  
REVISION 1: 03/16/2020  
REVISION 2: 04/12/2024

# ASSEMBLY INSTRUCTIONS

## ASSEMBLY TIPS:

1. Remove hardware from box and sort by size.
2. Please check to see that all hardware and parts are present prior to start of assembly.
3. Please follow attached instructions in the same sequence as numbered to assure fast & easy assembly.

## WARNING!



1. Don't attempt to repair or modify parts that are broken or defective. Please contact the store immediately.
2. This product is for home use only and not intended for commercial establishments.



ASSEMBLY TIME

15 MINUTES

## PARTS IDENTIFICATION

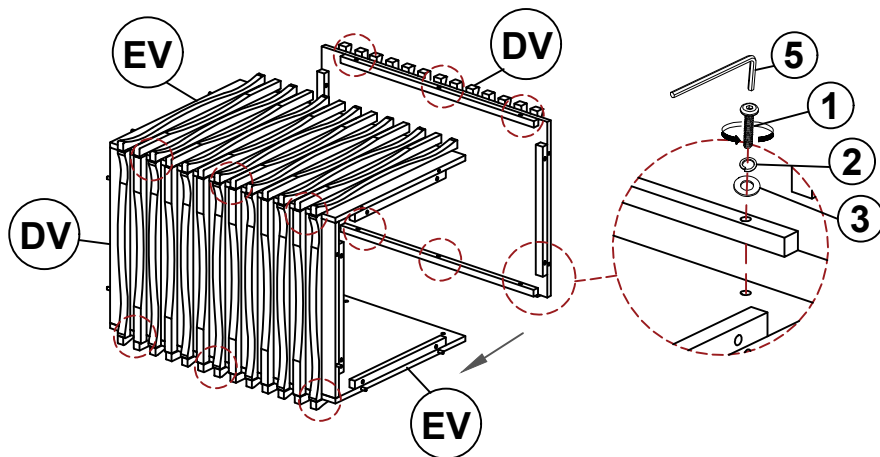
AV	TOP		1PC
BV	MOUNTING PLATE		1PC
CV	BASE		1PC
DV	SHORT SIDE PANEL		2PCS
EV	LONG SIDE PANEL		2PCS

## HARDWARE IDENTIFICATION

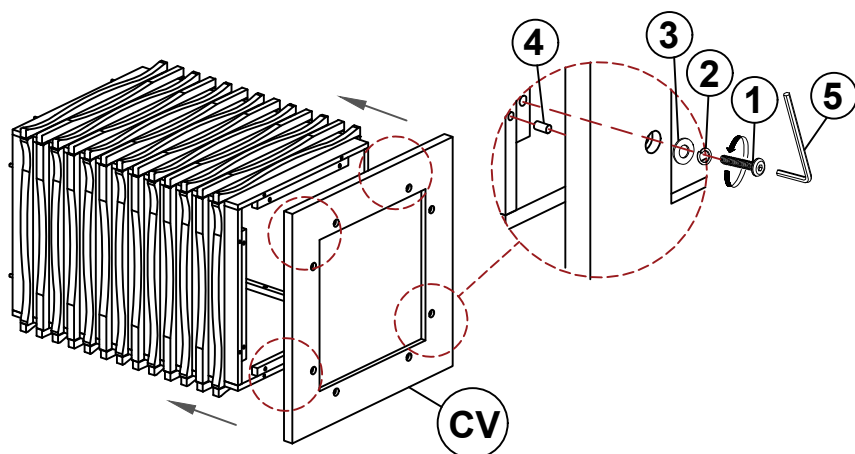
1	<b>BOLT</b> ( Ø1/4" x 1-1/4" - BLK)		36PCS
2	<b>LOCK WASHER</b> ( Ø1/4" - BLK)		36PCS
3	<b>FLAT WASHER</b> ( Ø1/4" - BLK)		36PCS
4	<b>WOOD DOWEL</b> ( Ø8x30MM - BLK)		16PCS
5	<b>ALLEN WRENCH</b> ( 4MM - BLK)		1PC

# ASSEMBLY INSTRUCTIONS

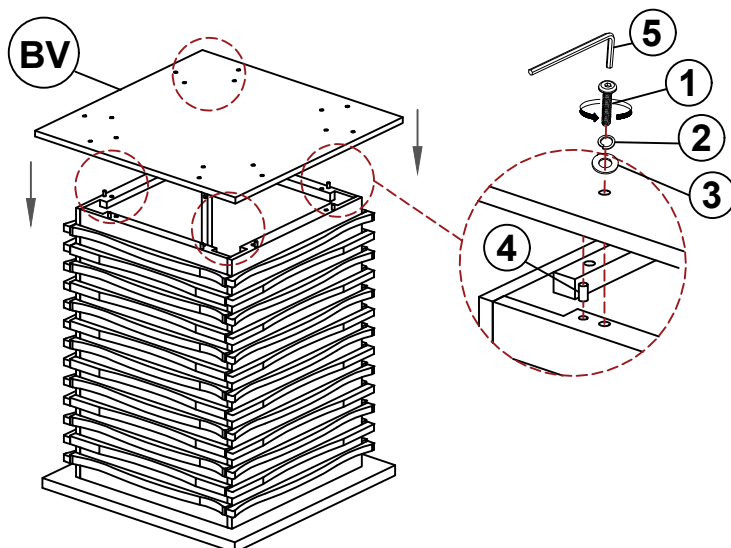
## STEP 1



## STEP 2

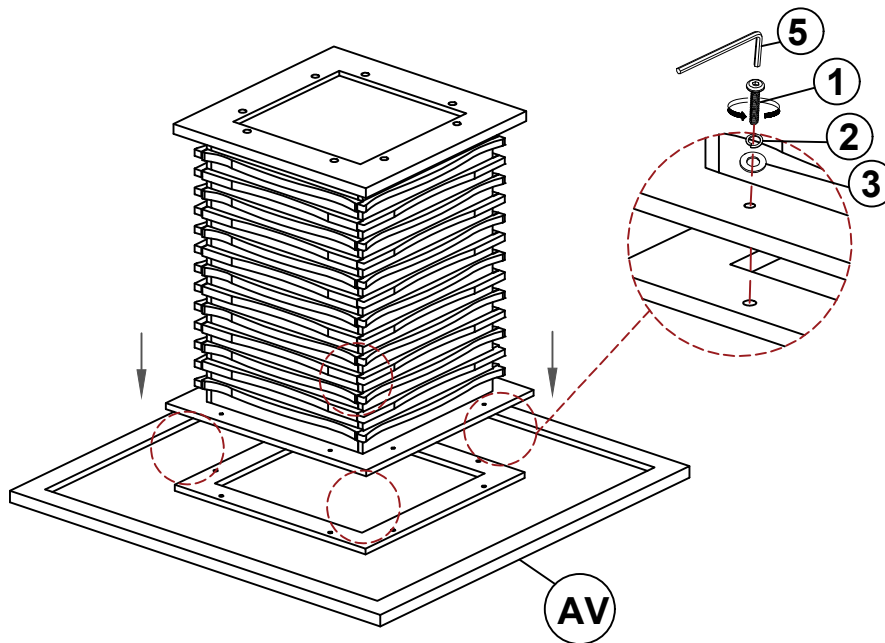


## STEP 3

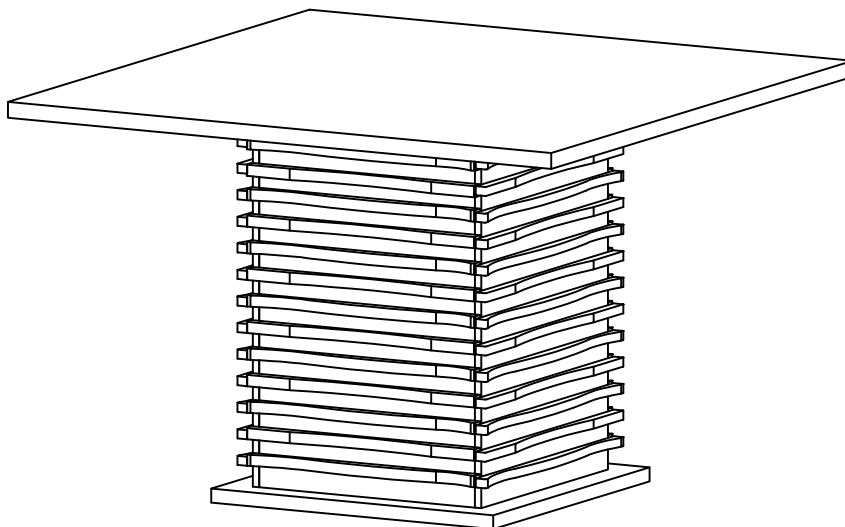


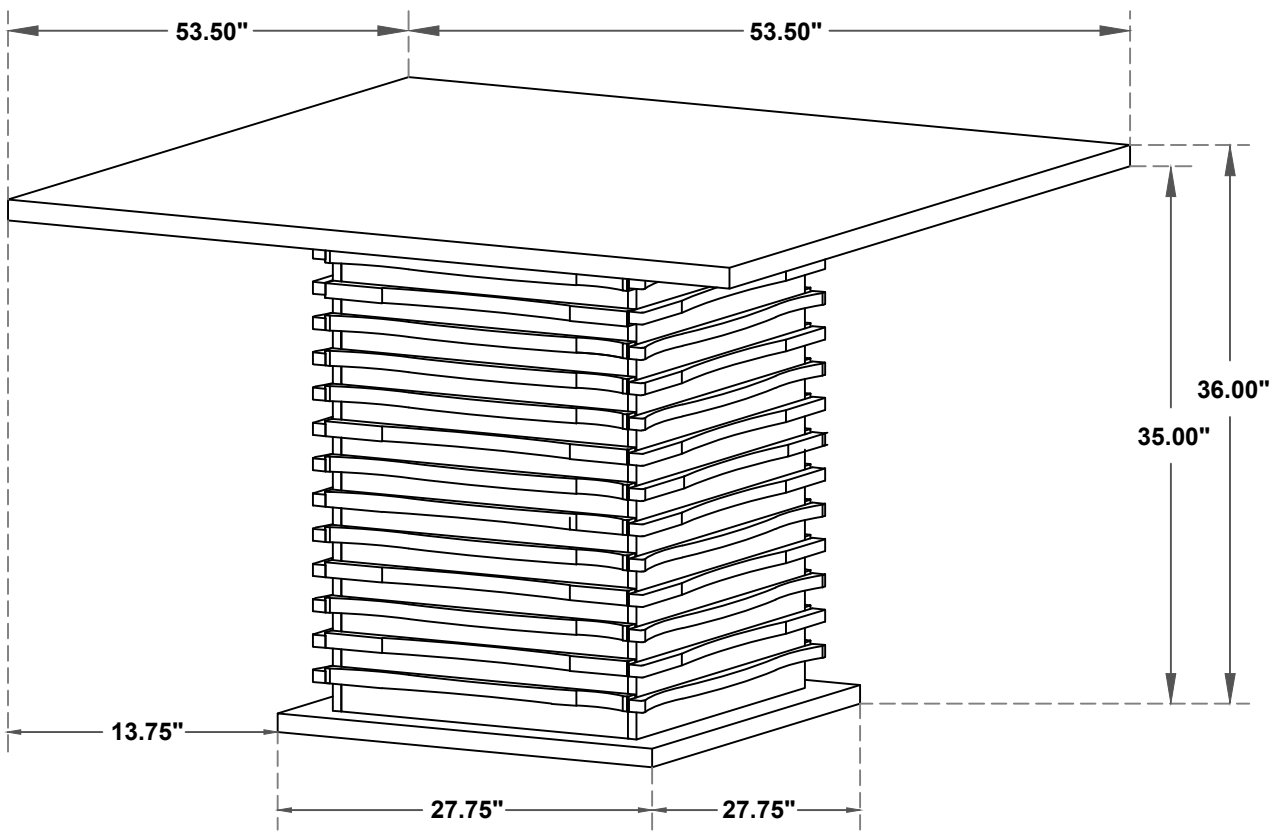
# ASSEMBLY INSTRUCTIONS

## STEP 4



## STEP 5 COMPLETE





# ASSEMBLY INSTRUCTIONS



*Fine Furniture for every stage of life*

## Counter Height Chair

REVISION 0: 10/06/2017  
REVISION 1: 02/21/2020

# ASSEMBLY INSTRUCTIONS

## ASSEMBLY TIPS:

1. Remove hardware from box and sort by size.
2. Please check to see that all hardware and parts are present prior to start of assembly.
3. Please follow attached instructions in the same sequence as numbered to assure fast & easy assembly.

## WARNING!





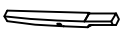



1. Don't attempt to repair or modify parts that are broken or defective. Please contact the store immediately.
2. This product is for home use only and not intended for commercial establishments.








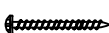

ASSEMBLY TIME

15 MINUTES

## PART IDENTIFICATION

AV	BACK FRAME		1PC
BV	SEAT CUSHION WITH FRAME		1PC
CV	LEFT FRONT LEG		1PC
DV	RIGHT FRONT LEG		1PC
EV	FRONT STRETCHER		1PC
FV	SIDE STRETCHER		2PCS

## HARDWARE IDENTIFICATION

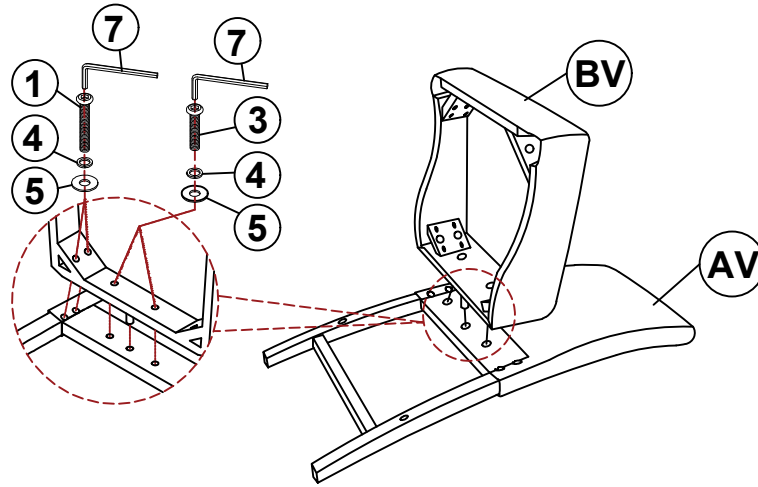
1	LONG BOLT ( Ø5/16" x 3-1/4" - RBW )		4PCS
2	MEDIUM BOLT ( Ø5/16" x 2-1/4" - RBW )		4PCS
3	SHORT BOLT ( Ø5/16" x 1-3/4" - RBW )		2PCS
4	LOCK WASHER ( Ø5/16" - RBW )		10PCS
5	FLAT WASHER ( Ø5/16" - RBW )		10PCS
6	PAN HEAD CREW ( Ø4 x1-1/2" - RBW )		6PCS
7	ALLEN WRENCH ( 4MM - RBW )		1PC

## NOTE:

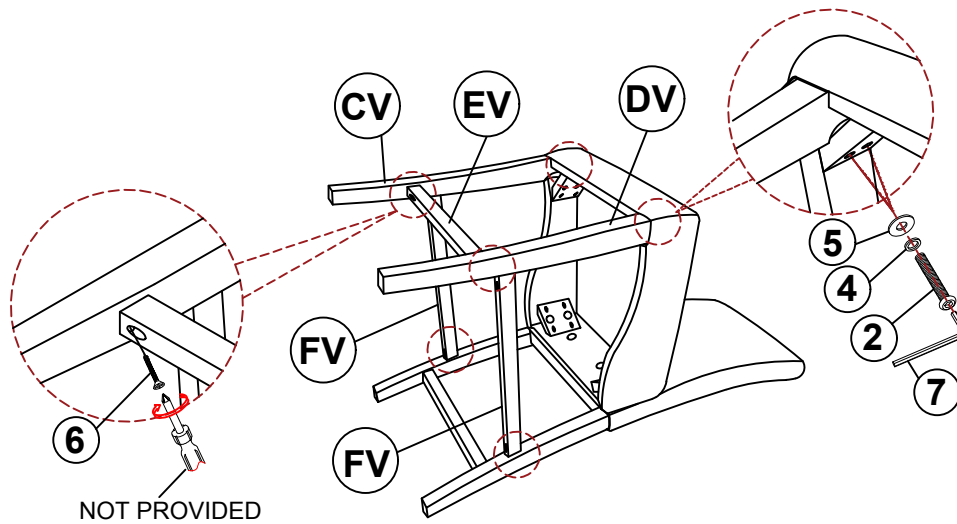
Phillips head screw driver is required in the assembly process; however, manufacturer does not provide this item. Quantities shown are for one chair.

# ASSEMBLY INSTRUCTIONS

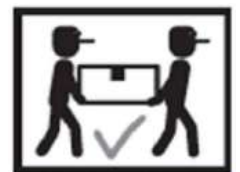
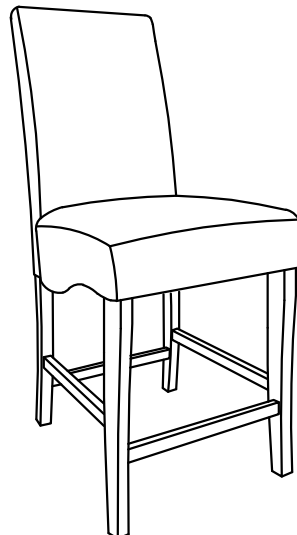
## STEP 1

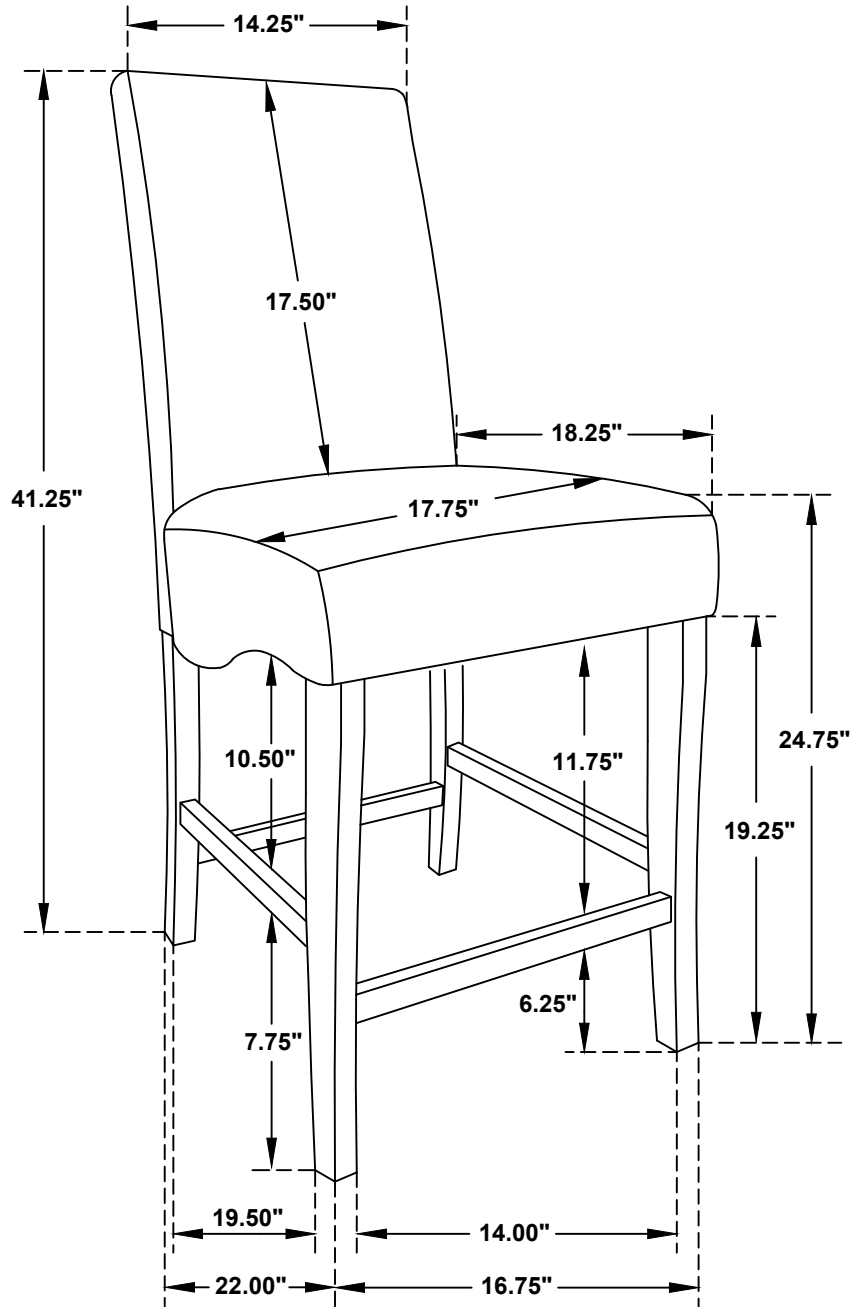


## STEP 2



## STEP 3 COMPLETE





**Note: Dimension tolerance  $\pm 5\%$**