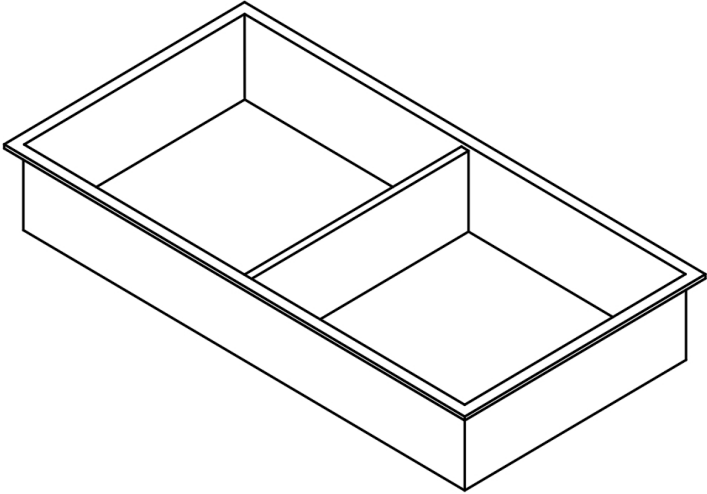


Stainless Steel
Shower Niche

Shower Niche



ASSEMBLY
INSTRUCTION

If you need product support and video tutorials, please contact our customer service for assistance

Important Notice

-The following installation details are applicable for existing wall before tiling, do not cover every possible situation. Always consult with licenced professional during preparation and installation.

-Create watertight seal cave is very important.

-OPTIONAL: If the niche is very close to the shower head, apply silicone adhesive all around the niche to ensure an optimal waterproofing.

-Building codes prohibit the use of water-resistant gypsum wallboard ("green board") as the tile backer in showers.

Maintain Notice

-Please stop using it if it is broken or out of shape.

-Please check assembly parts carefully every 3 months and stop using it if it is in potential risks.

-Please use clean cloth to wipe it when it is dirty, use detergent or furniture cleaning agent to scrub it when it has stubborn stains.

-To avoid color fading, please do not use ethyl alcohol, banana oil or other chemical solvent to clean the product.

-Do not repair or modify the product by yourself. Also, you can contact us if you have questions about the product.

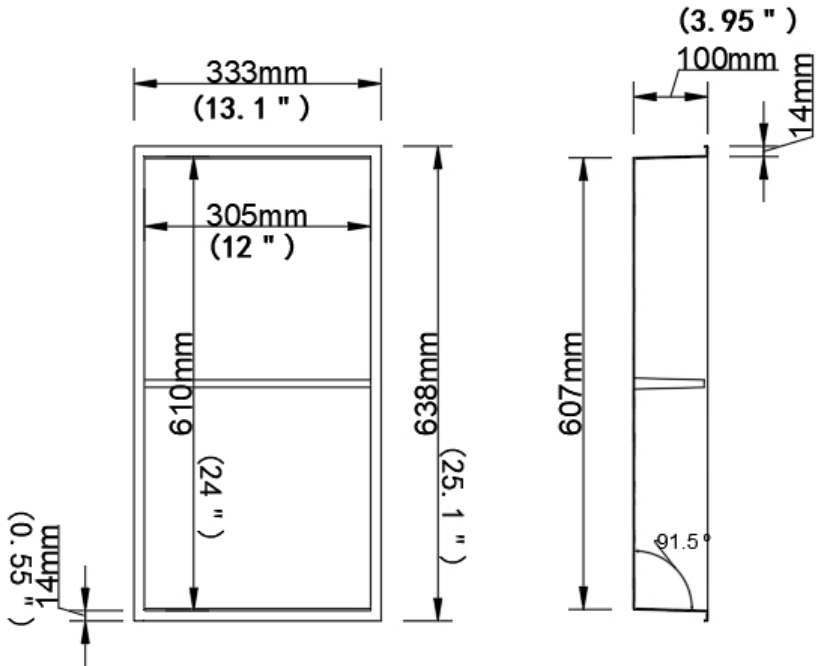
Contact

If you need product support and video tutorials, please contact our customer service for assistance.

We will respond within 24 hours.

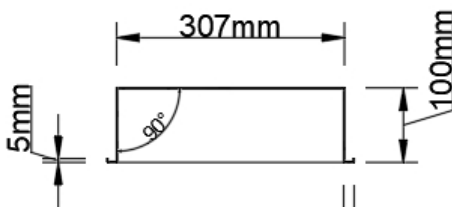
If you need product support and video tutorials, please contact our customer service for assistance. We will respond within 24 hours.

Three views of the product



Front View

Side View

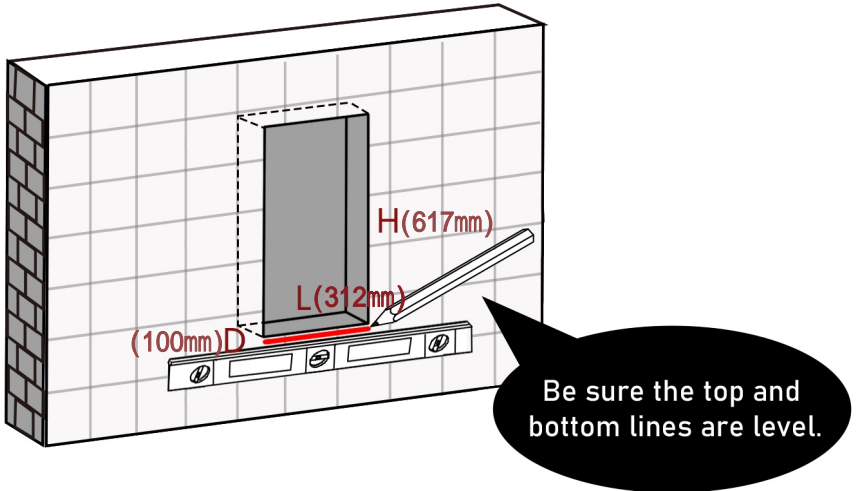


Top View

If you need product support and video tutorials, please contact our customer service for assistance. We will respond within 24 hours.

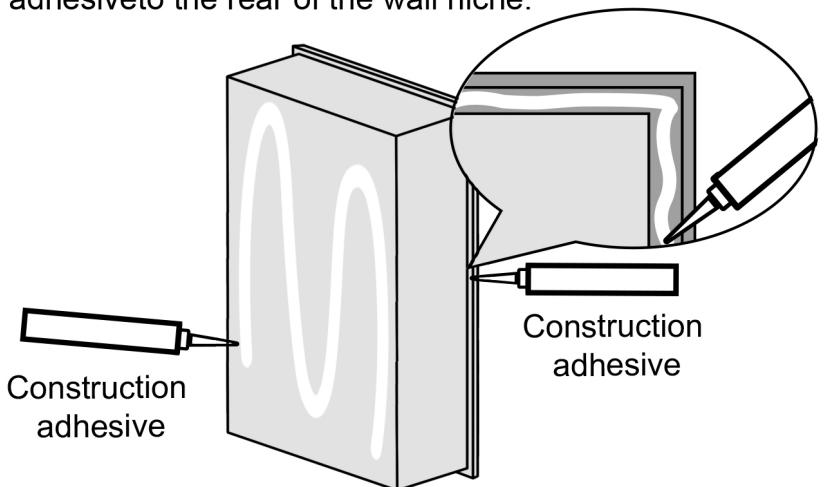
Step 1:

Identify the desired position. Construct and dimension the wall section accordingly to match the measurements of the wall niche.



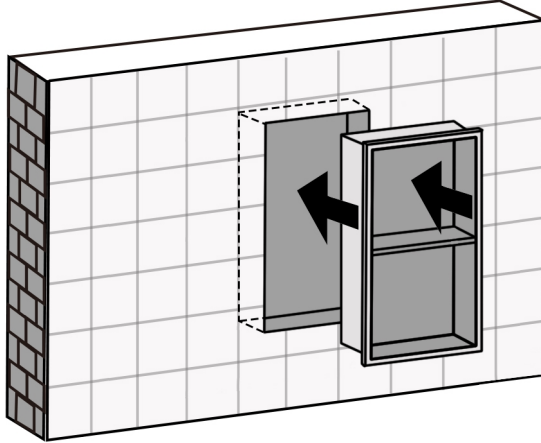
Step 2:

Apply Construction adhesive around the back flange of the wall niche. After thorough cleaning, apply the Construction adhesive to the rear of the wall niche.

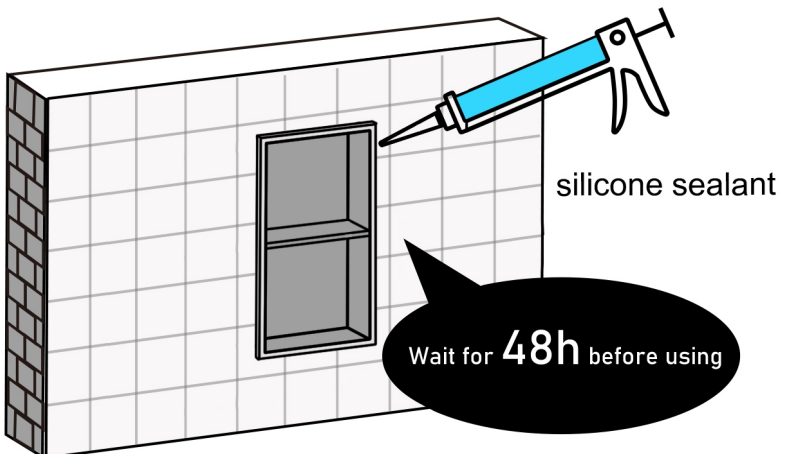


If you need product support and video tutorials, please contact our customer service for assistance. We will respond within 24 hours.

Step 3: Insert the wall niche into the precisely measured wall section from Step 1 and secure it firmly.



Step 4: Ensure waterproof integrity by sealing all joints with silicone sealant. The wall niche is now fully prepared.



If you need product support and video tutorials, please contact our customer service for assistance. We will respond within 24 hours.

