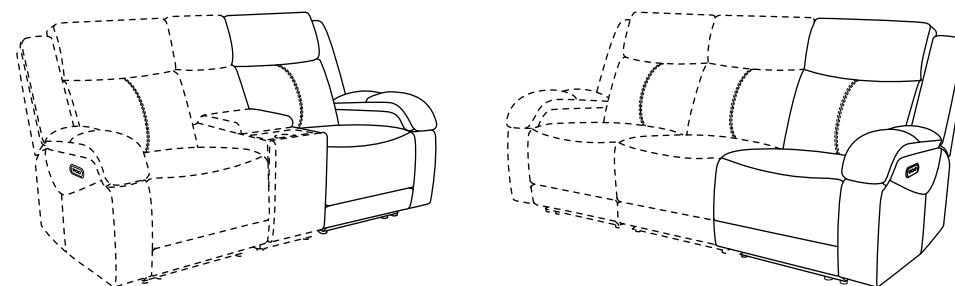


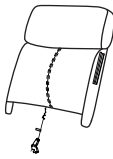

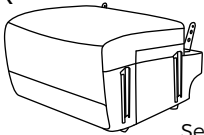
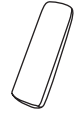

# Power Right Chair

## Assembly Manual

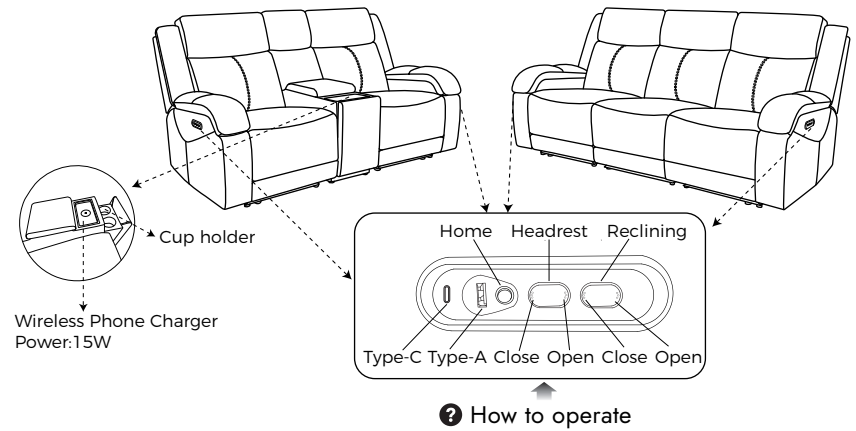
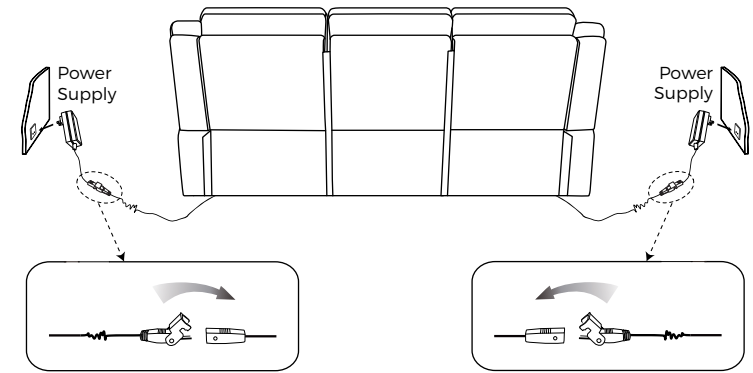
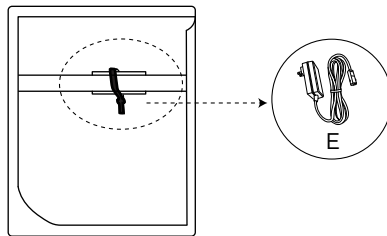


**CAUTION** THIS ASSEMBLY MANUAL CONTAINS IMPORTANT SAFETY INFORMATION.  
PLEASE READ AND KEEP FOR FUTURE REFERENCE.

# Parts

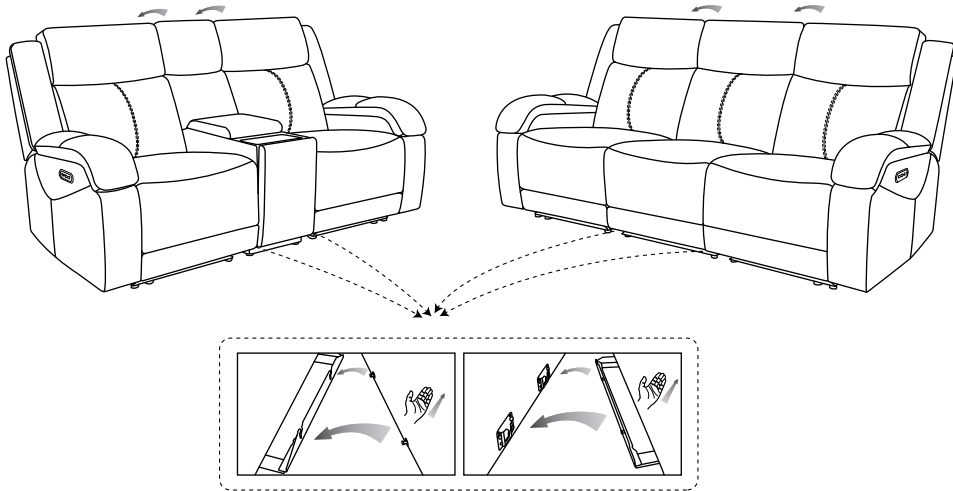
<p>A-R</p>  <p>Back</p>	<p>B-R</p>  <p>Right Armrest</p>	<p>C-R</p>  <p>Seat</p>
<p>D-R</p>  <p>Right Wing</p>	<p>E</p>  <p>Power Supply</p>	

Before you begin: Locate the Power Supply (E) at the bottom of Power Right Chair Seat.

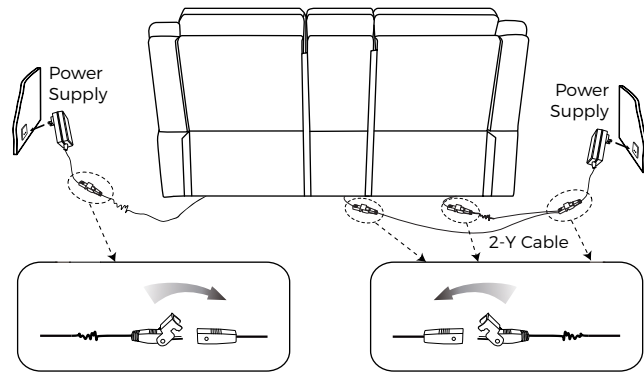


# How to Connect

Step 1: Attach each piece with brackets on the side. Kindly note to attach from Right hand to Left hand.

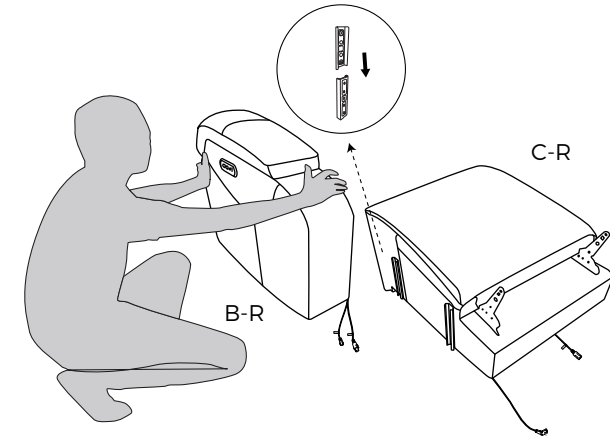


Step 2: Using 2-Y cable (from Console parts) to connect your Console and Power Left Recliner together. Plug the Power Supply into the power outlet.

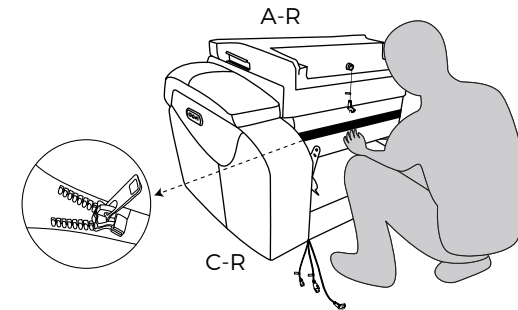


Step 1: Slide the Right Armrest (B-R) into the Seat (C-R). Push down the Right Armrest (B-R) firmly until it is locked into place.

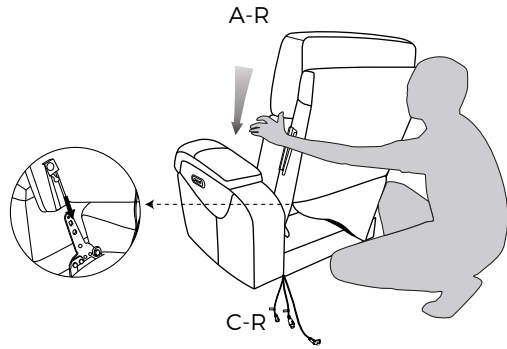
**Note: Not allow to sit on the armrest after it is installed.**



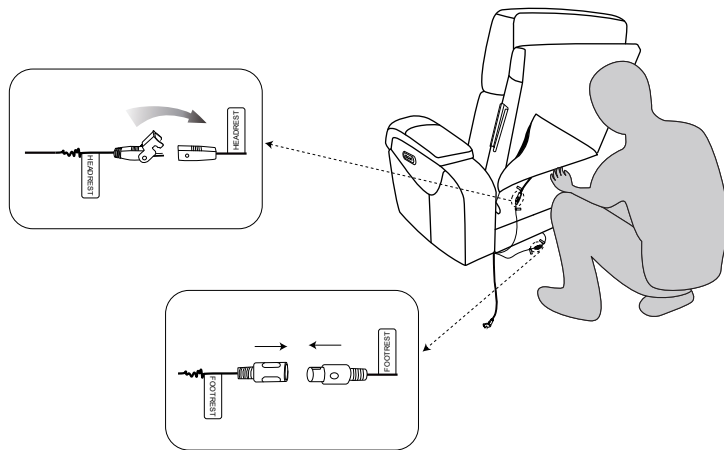
Step 2: Zip up the Back (A-R) and the Seat (C-R) together.



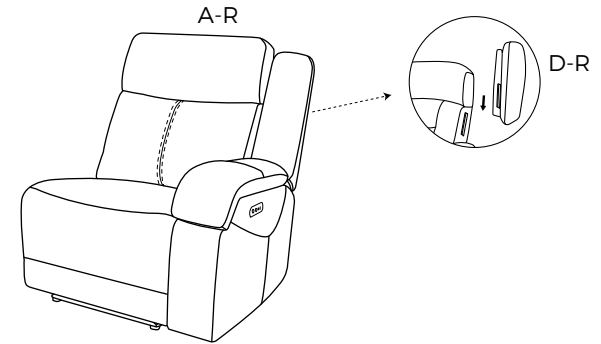
Step 3: Slide the Back (A-R) into the metallic quick connectors of the Seat (C-R). Push down the Back (A-R) firmly until each side is locked into place and an audible “click” is heard.



Step 4: Connect the Headrest cable into the Headrest cable. Connect the Footrest cable into the Footrest cable.



Step 5: Slide the Right Wing (D-R) into the Back (A-R).



Step 6: Attach the back cover to the bottom of the Seat (C-R) with Velcro.

