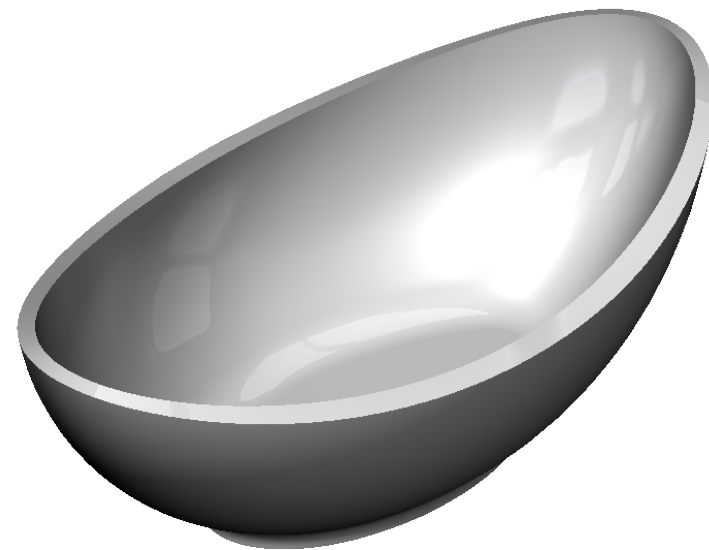
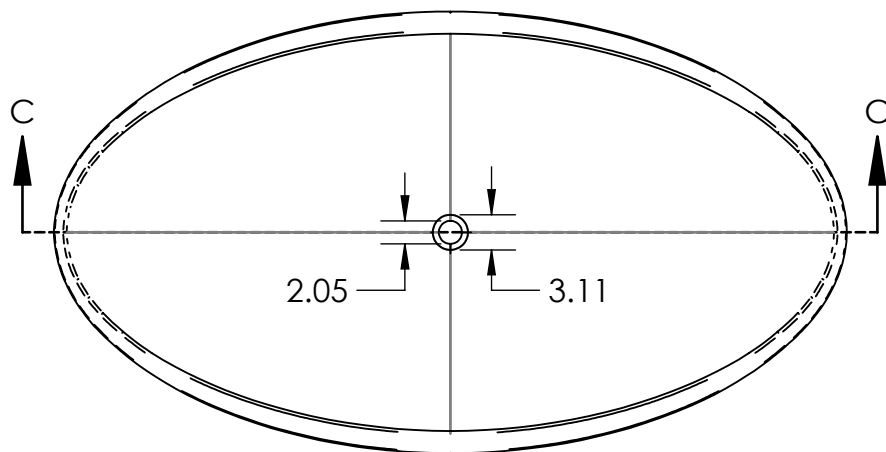


Ø 2.05
Drain Hole Dia



Weight: 300lbs