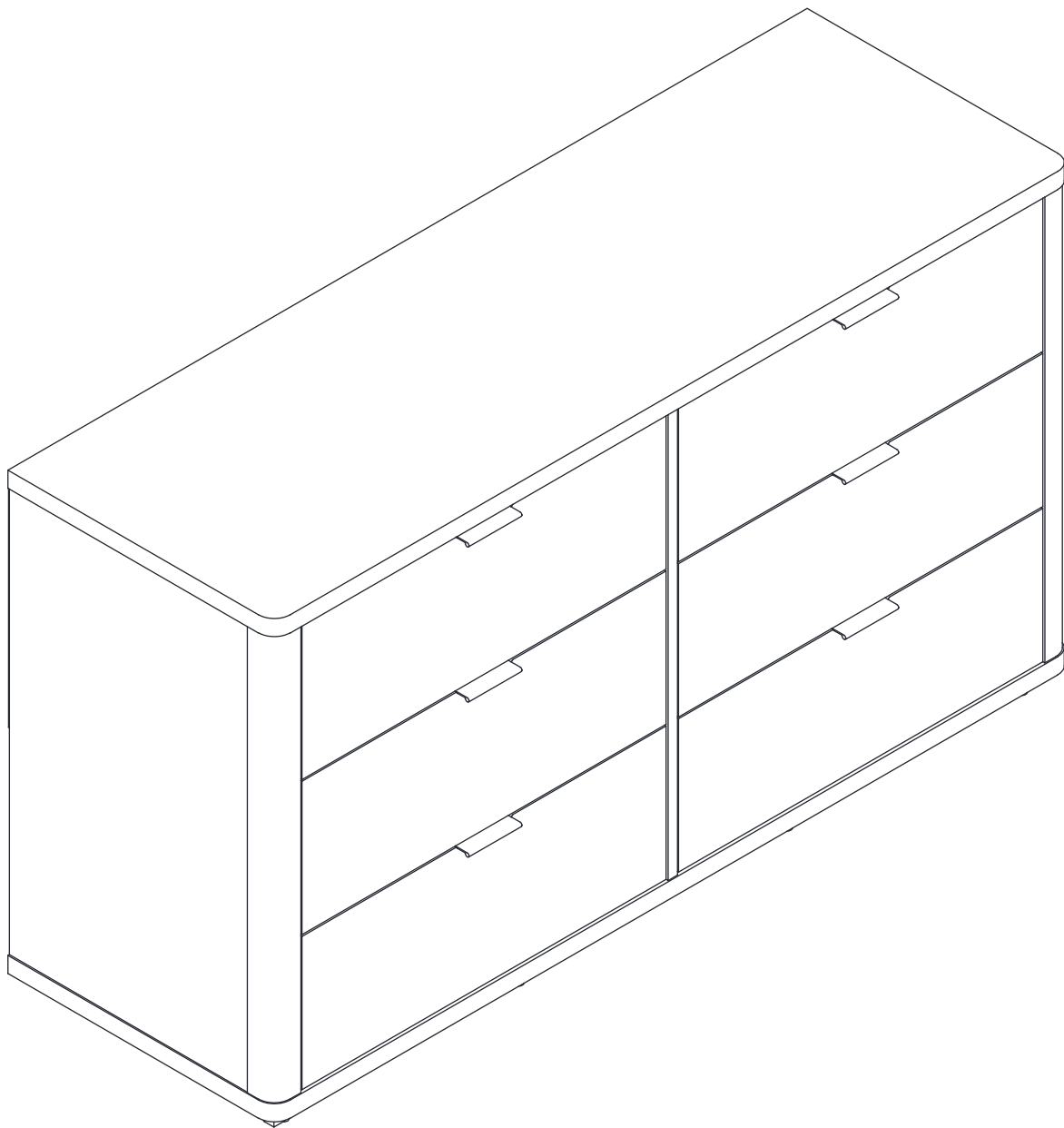




MANHATTAN COMFORT

DR1607



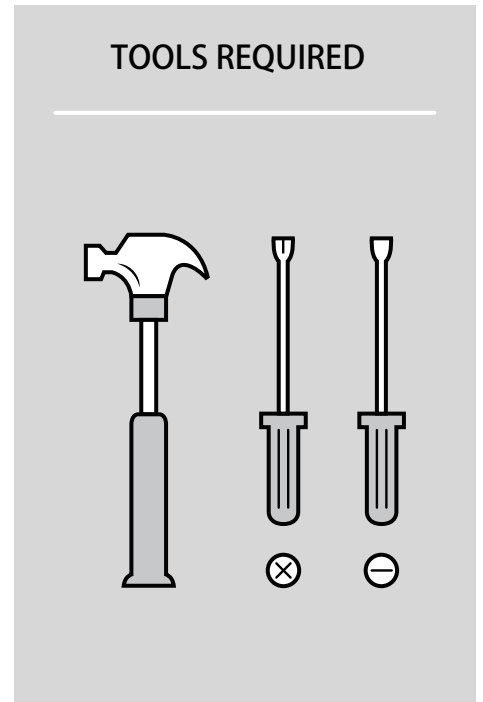
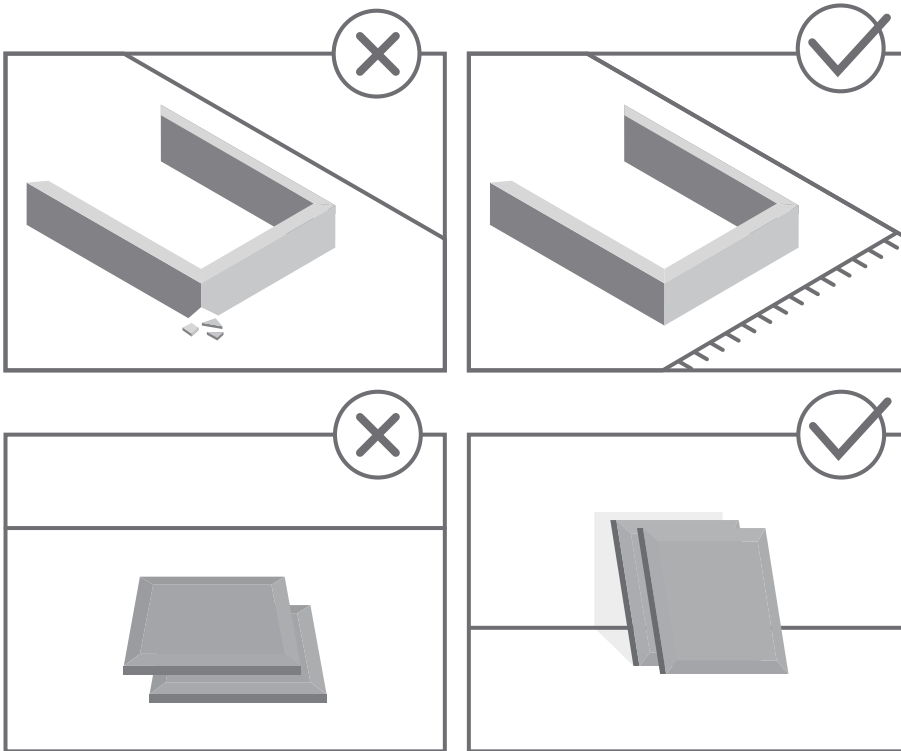


STOP!

Before beginning the assembly process, ensure all boxes and parts have been delivered.

FOR BEST RESULTS:

- Do not throw away packaging materials until assembly is complete.
- Assemble item on a soft surface, such as cardboard or carpet, to protect finish.
- Proper assembly requires two people.



View our assembly video online:
WWW.MANHATTANCOMFORT.COM



Stuck? Question? We are here to help.
tel: 908-888-0818
e-mail: help@manhattancomfort.com

Support Site



Included in this package:

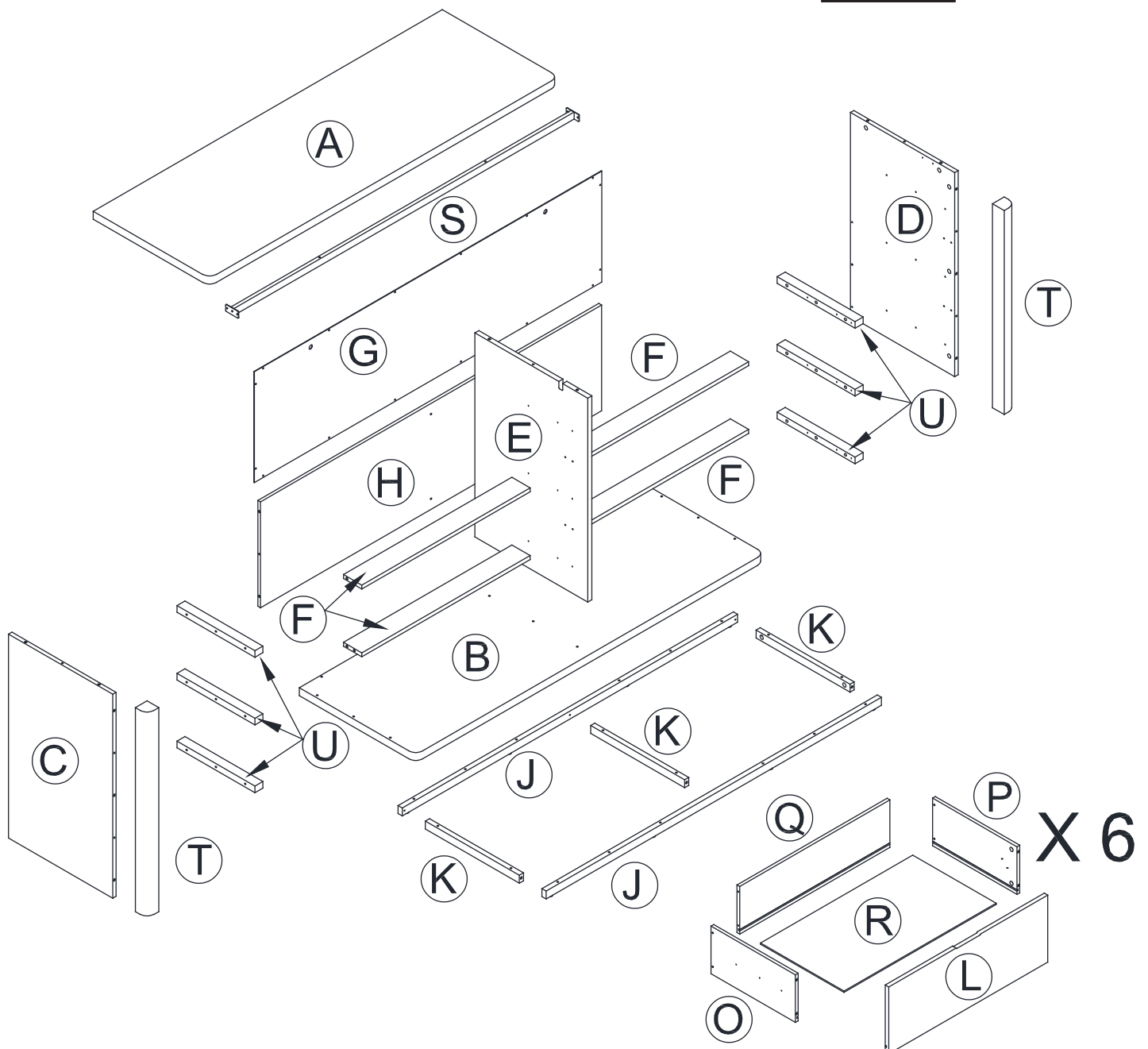
BOX 01/02

- A: Top Panel (1)
- B: Bottom Panel (1)
- G: Upper Back Panel (1)
- H: Lower Back Panel (1)
- J: Lower Front/Rear Stretcher (2)
- R: Drawer Bottom Panel (6)
- S: Connecting Tube (1)

BOX02/02

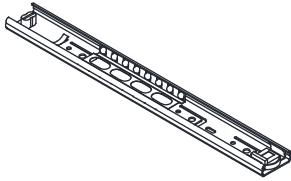
- C: Left Side Panel (1)
- D: Right Side Panel (1)
- E: Middle Side Panel (1)
- F: Connector Panel (4)
- K: Lower Middle Stretcher (3)
- L: Drawer Front Panel (6)
- O: Drawer Left Side Panel (6)
- P: Drawer Right Side Panel (6)
- Q: Drawer Back Panel (6)
- T: Left and Right Side Stretchers (2)
- U: Slide Support Strips (6)

ALL HARDWARE ARE IN BOX 02/02

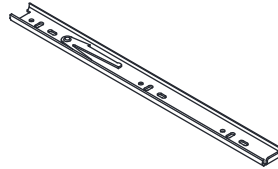


Hardware Identification

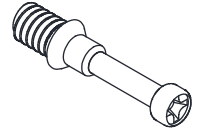
① EXTENSION RAIL - 12 PCS



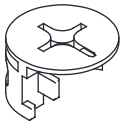
② EXTENSION SLIDE - 12PCS



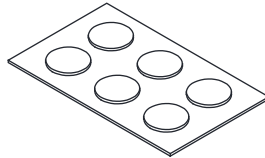
③ CAM SCREW - 62PCS



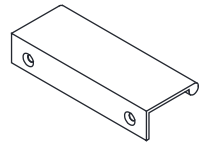
④ HIDDEN CAM - 62PCS



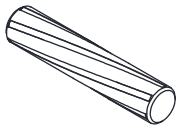
⑤ APPLIQUE CARD - 11PCS



⑥ PULL - 6PCS



⑦ WOOD DOWEL - 19PCS



⑧ PAN HEAD SCREW
M5*35mm - 70PCS



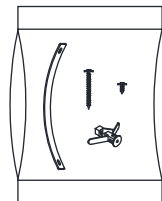
⑨ PAN HEAD SCREW
M4*12mm - 20PCS

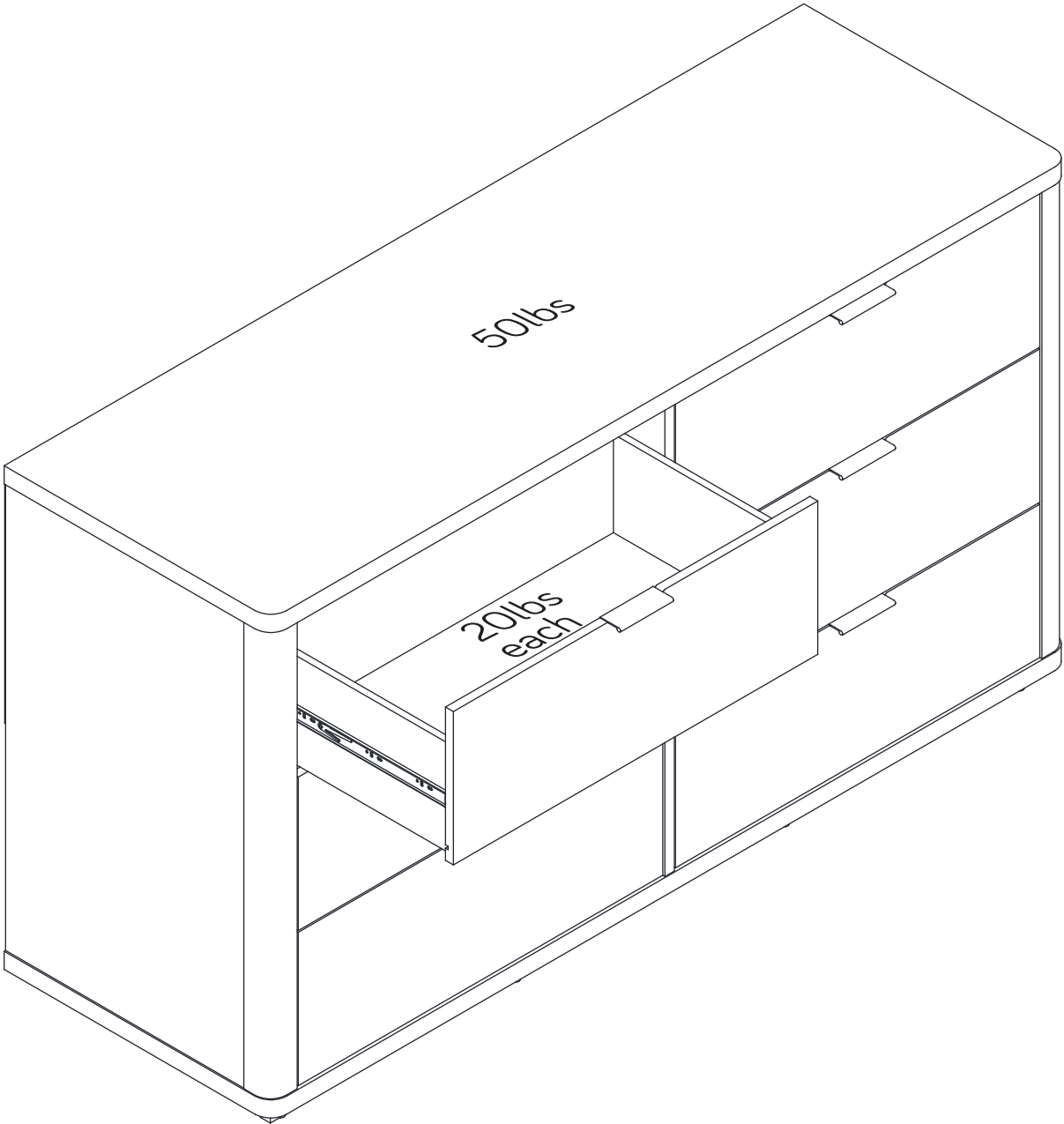


⑩ FLAT HEAD SCREW
M4*12mm - 84 PCS



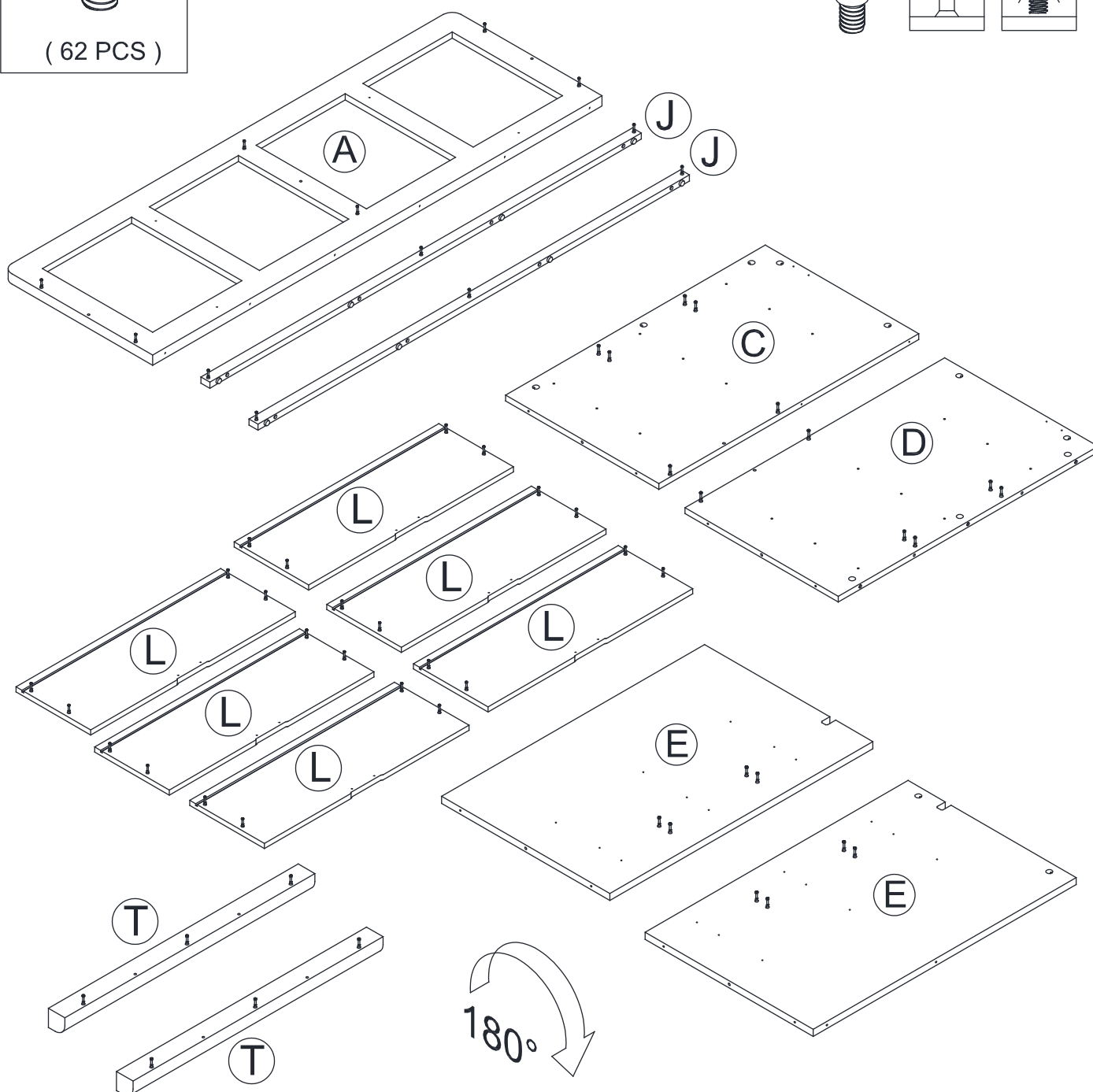
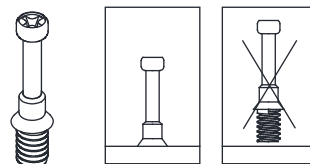
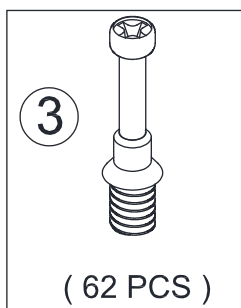
96 FURNITURE TIPPING
RESTRAINT KIT - 2PCS





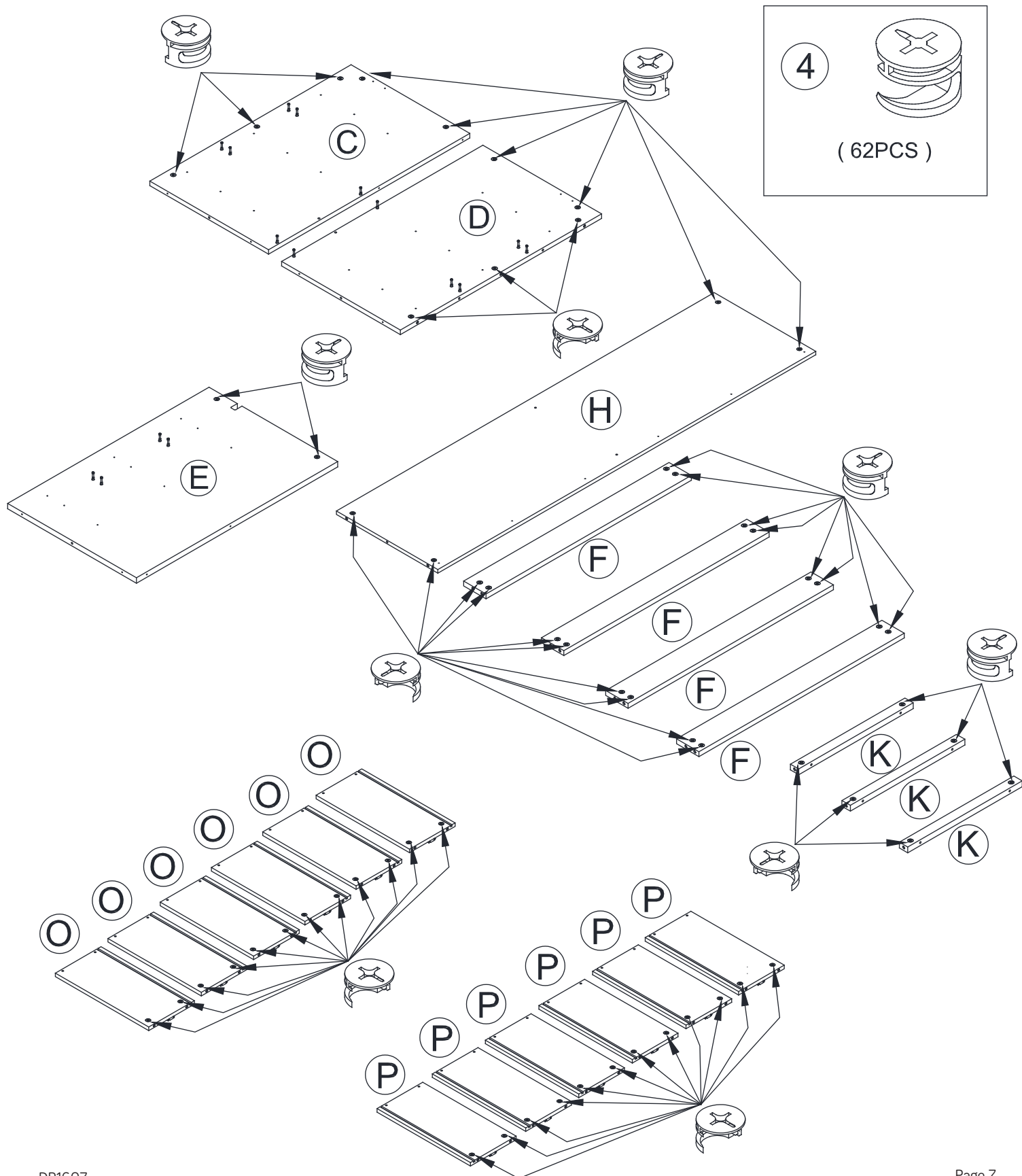
Step 1

- ◆ Fasten 62 Cam Screws (3) into the Top Panel (A), the Lower Front/Rear Stretchers (J), the Side Panels (C, D), the Middle Side Panel (E), the Drawer Front Panels (L), and the Left and Right Side Stretchers (T).



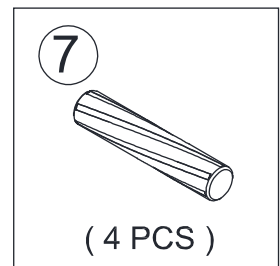
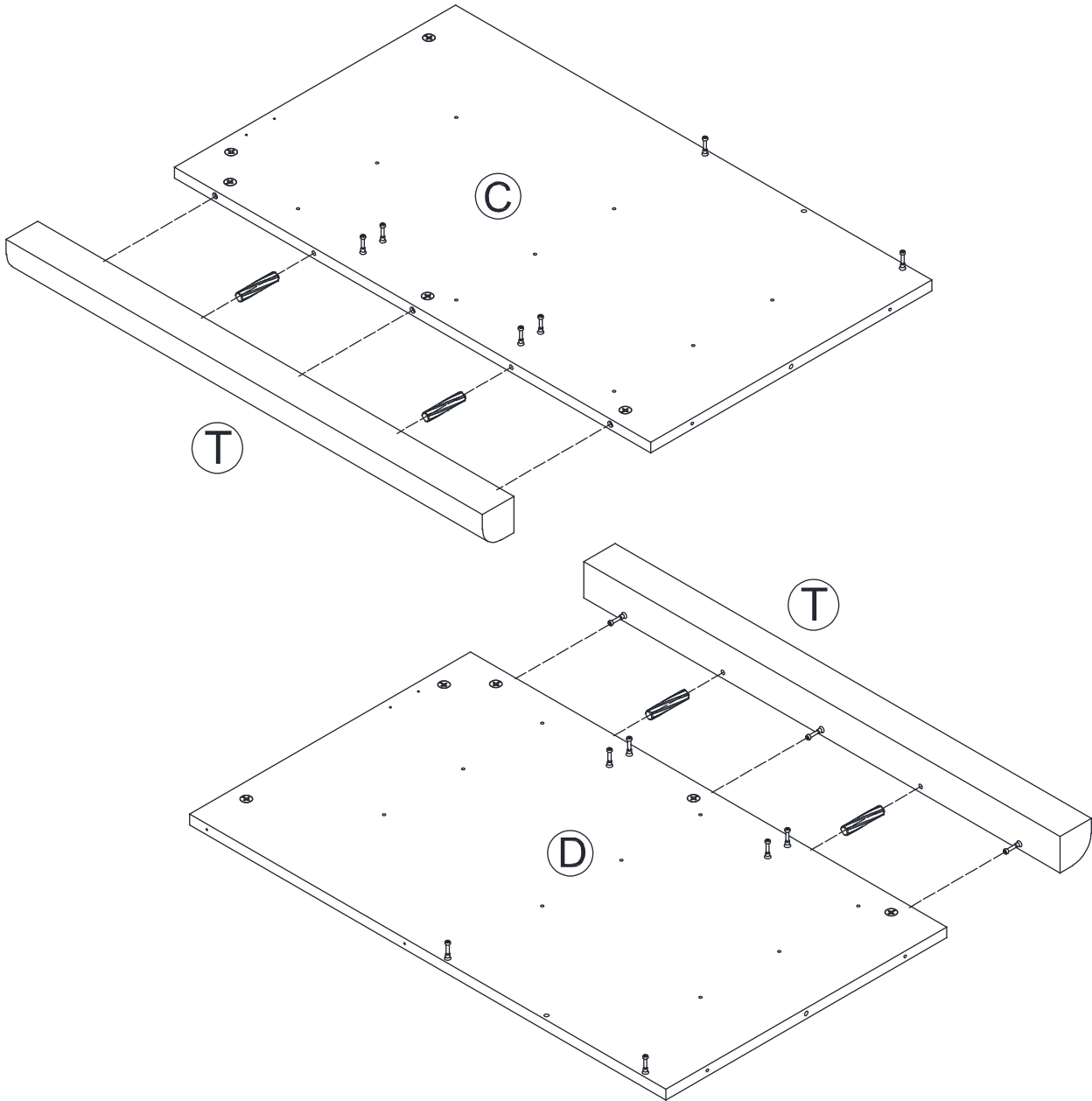
Step 2

- ◆ Fasten 62 Hidden Cams (4) into the Side Panels (C, D), the Middle Side Panel (E), the Lower Back Panel (H), the Connector Panels (F), the Lower Middle Stretchers (K), and the Drawer Side Panels (O, P).



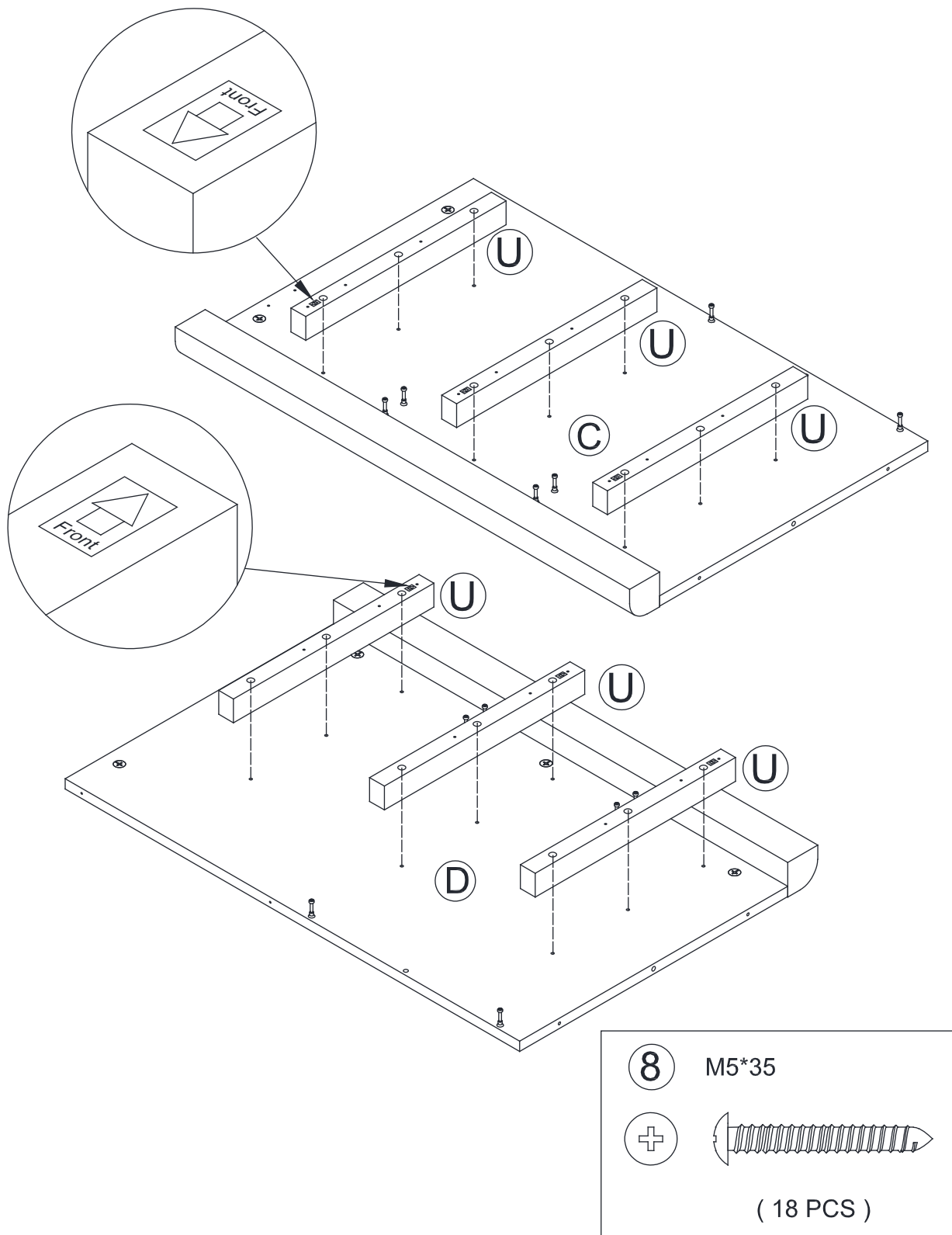
Step 3

- ◆ Use Wood Dowels (7) and Cam Locks to attach the Left and Right Stretchers (T) to the Side Panels (C, D).



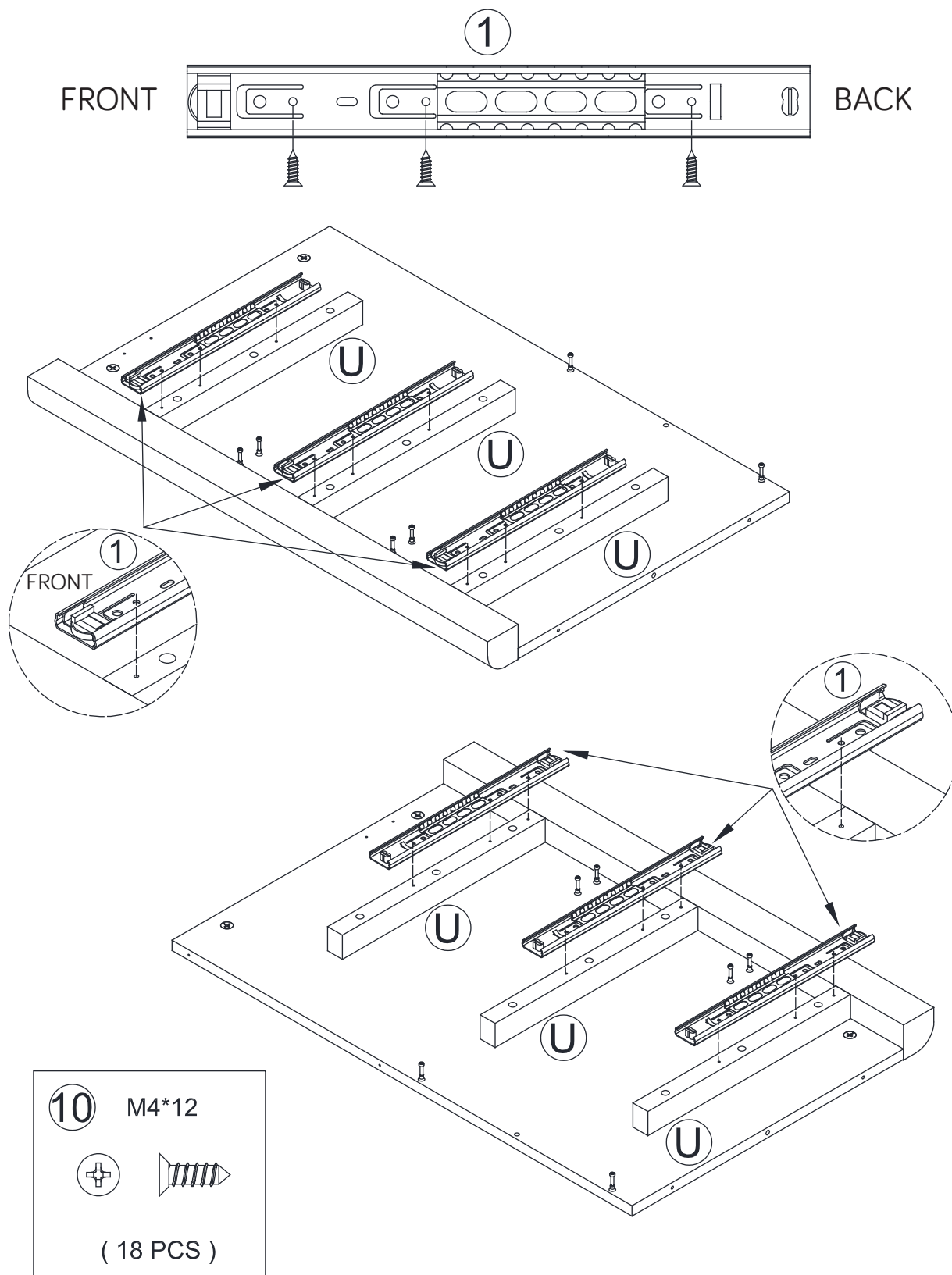
Step 4

◆ Fasten the Slide Support Strips (U) to the Side Panels (C, D) by using the Pan Head Screws (8).



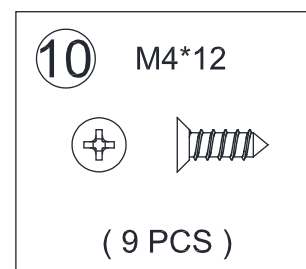
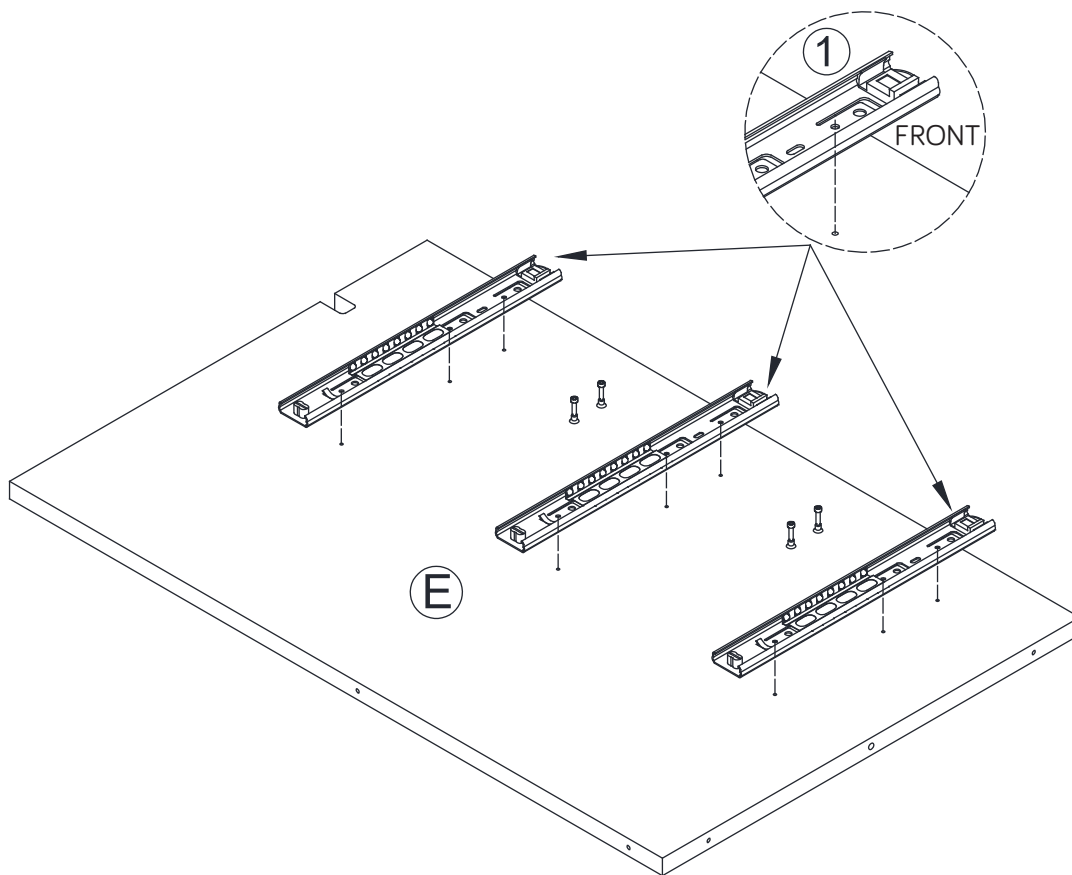
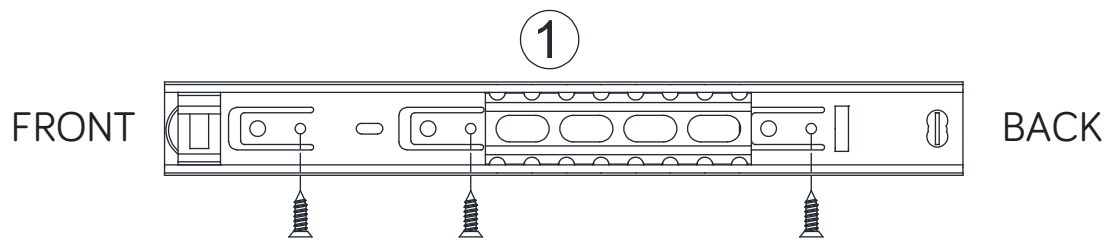
Step 5

- ◆ Fasten the Extension Rail (1) to the Slide Support Strips (U) by using the Flat Head Screws (10).



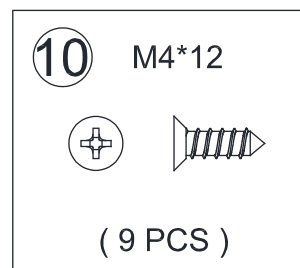
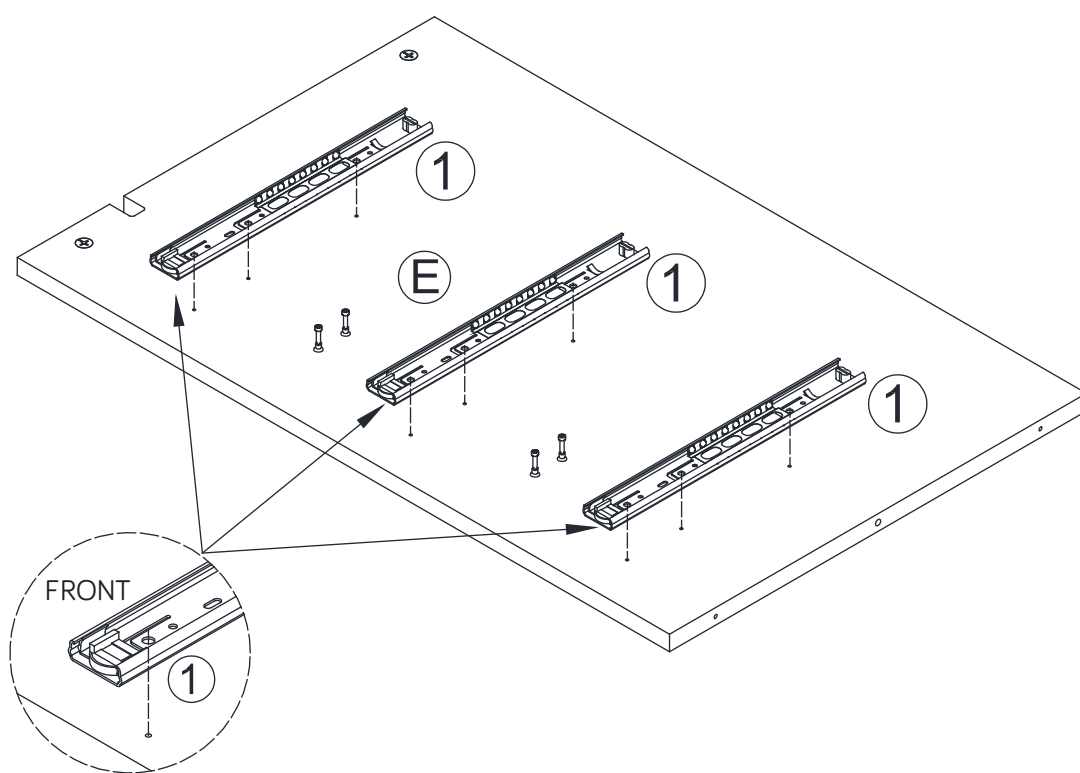
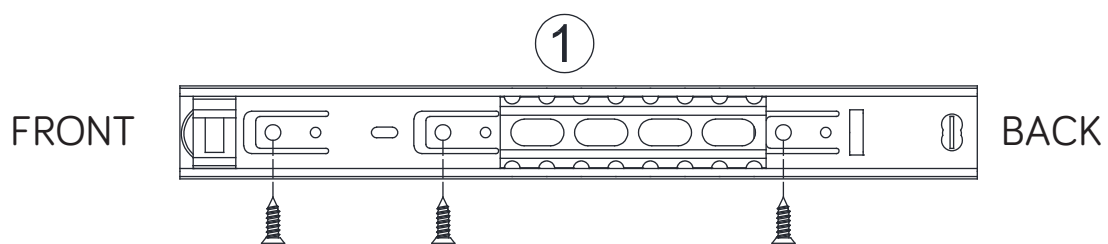
Step 6

- ◆ Fasten the Extension Slides (2) to the Middle Side Panel (E) by using the Flat Head Screws (10).



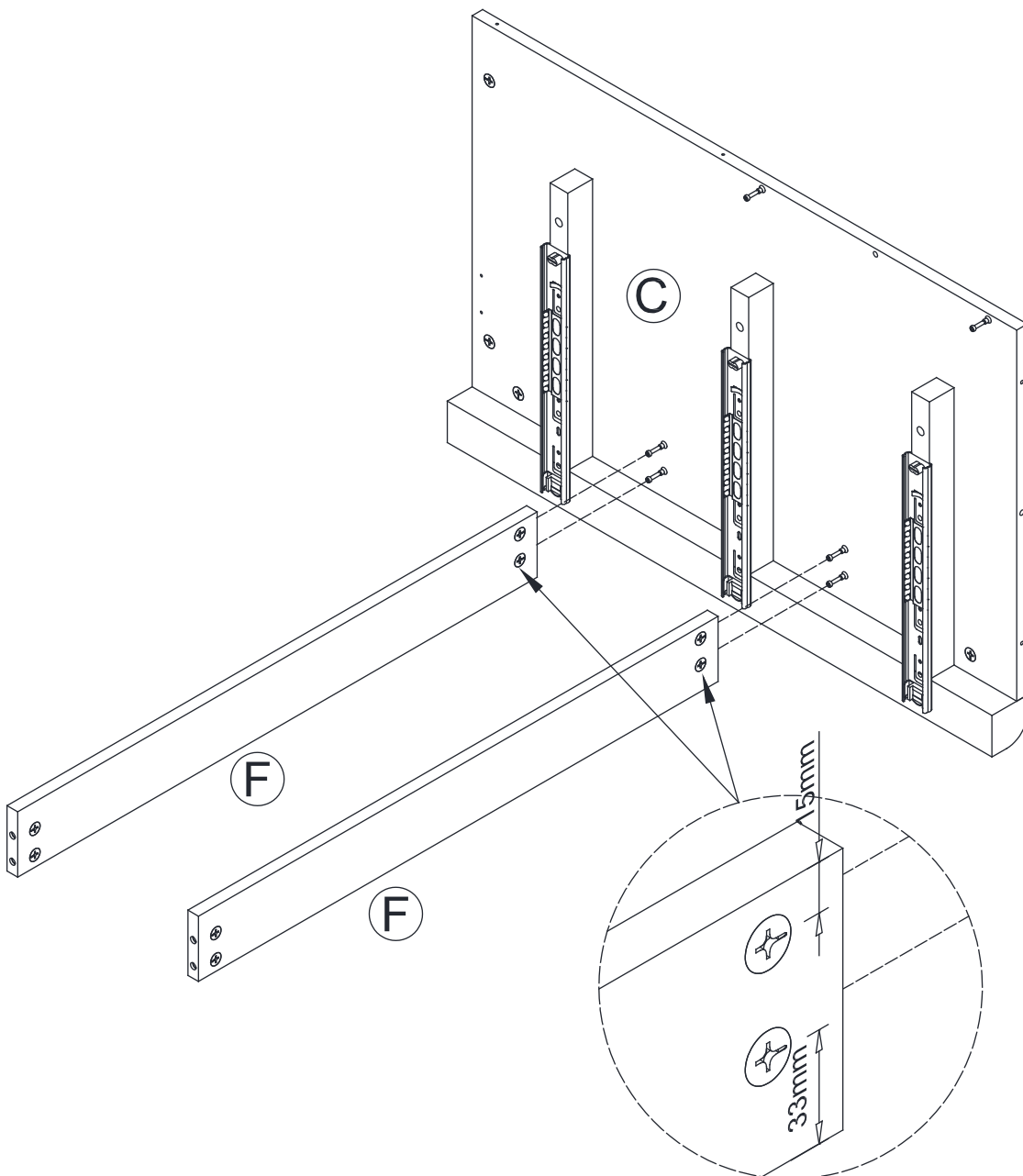
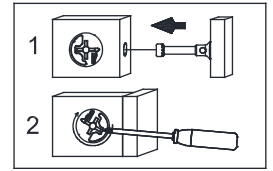
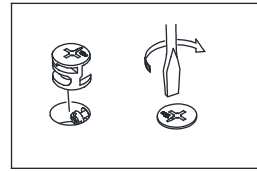
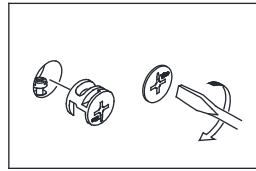
Step 7

- ◆ Repeat fastening the Extension Slides (2) to the other side of the Middle Side Panel (E) by using the Flat Head Screws (10).



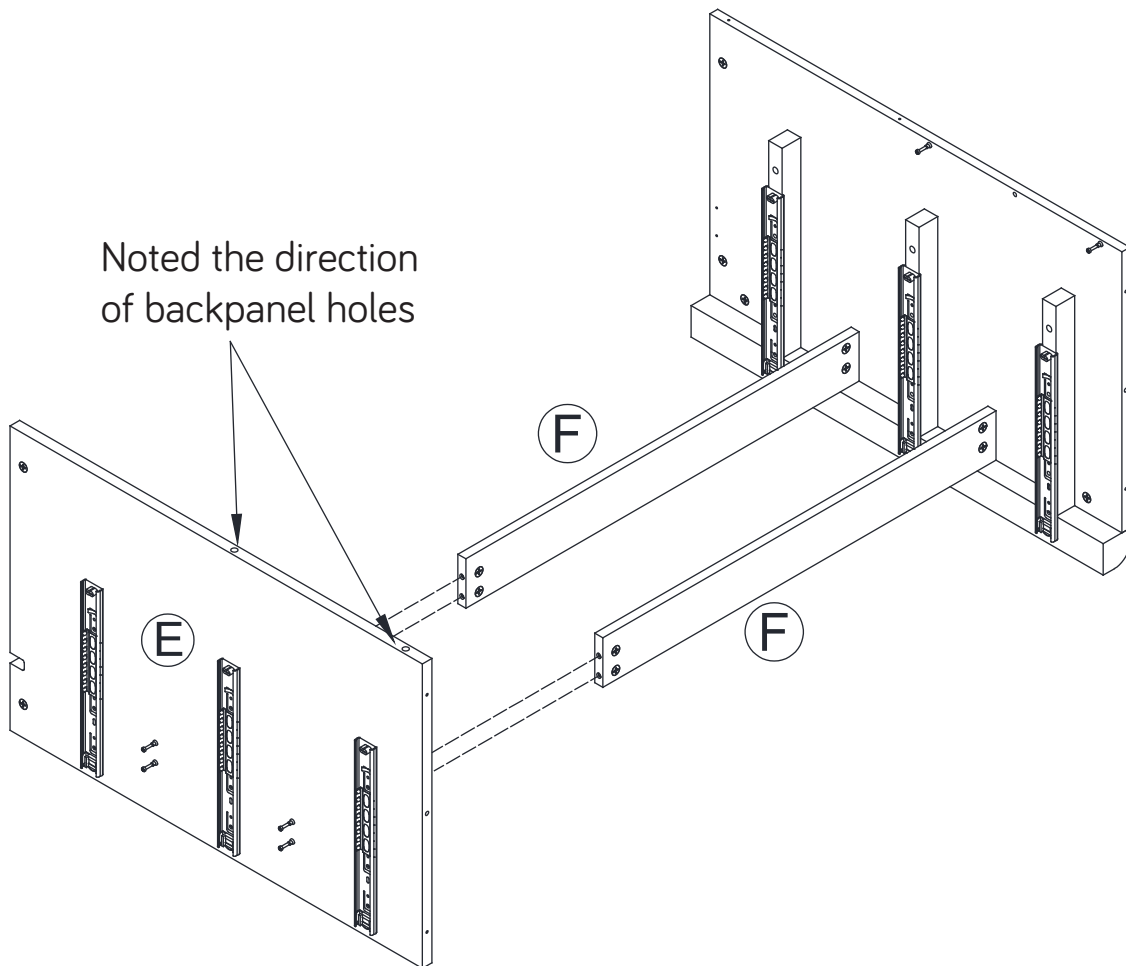
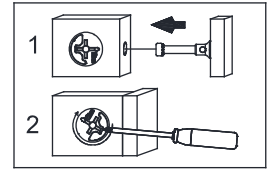
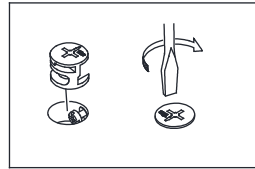
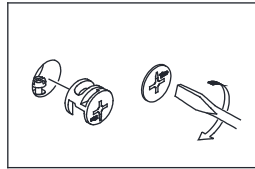
Step 8

◆ Using Cam Locks to attach the Connector Panel (F) to the Left Side Panel (C).



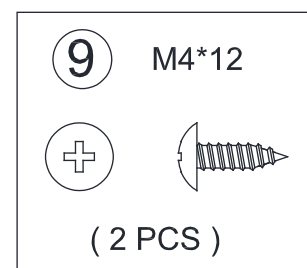
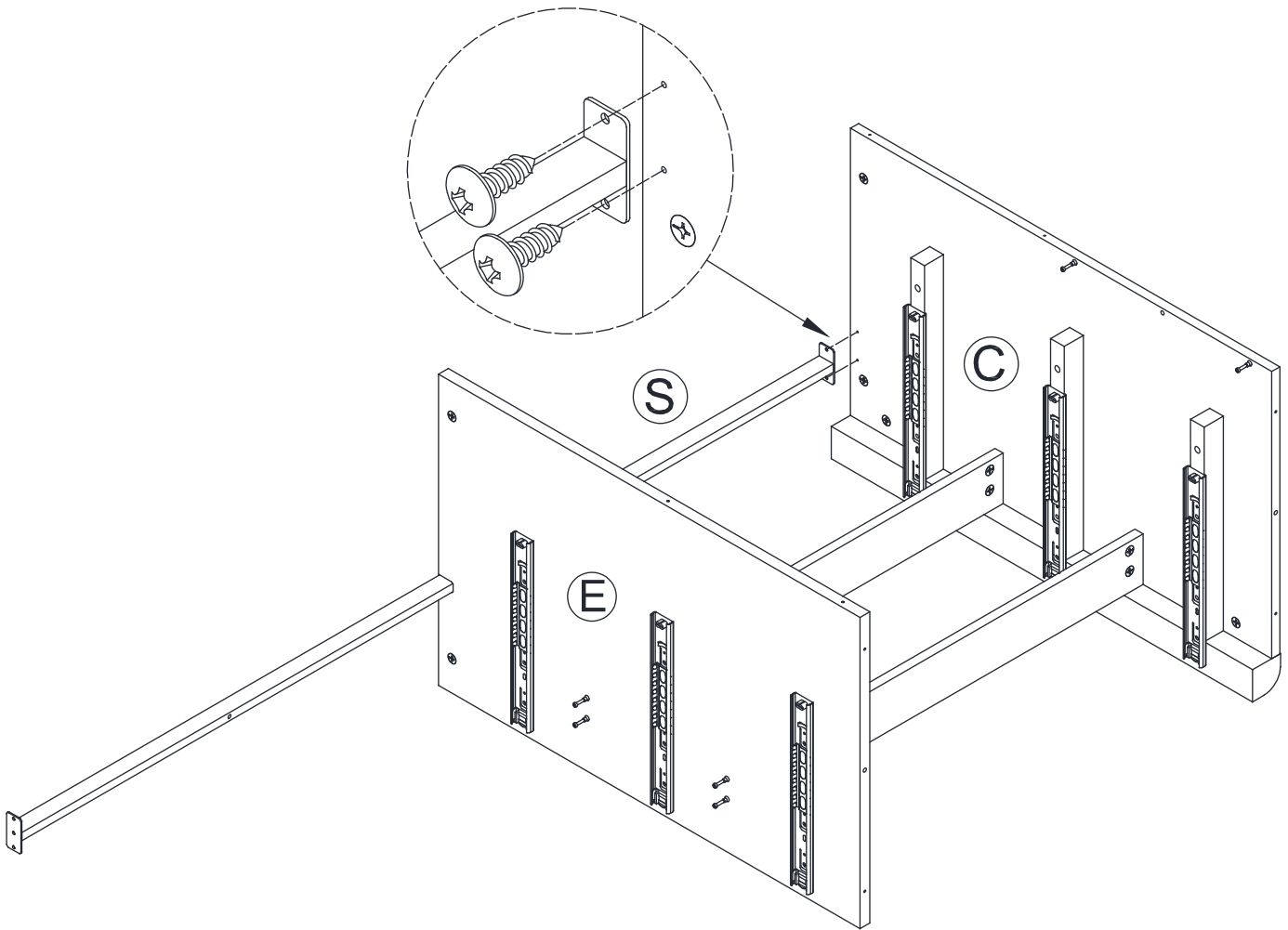
Step 9

- ◆ Using Cam Locks to attach the Middle Side Panel (E) to the Connector Panel (F).
Ensure the back panel holes face the correct direction.



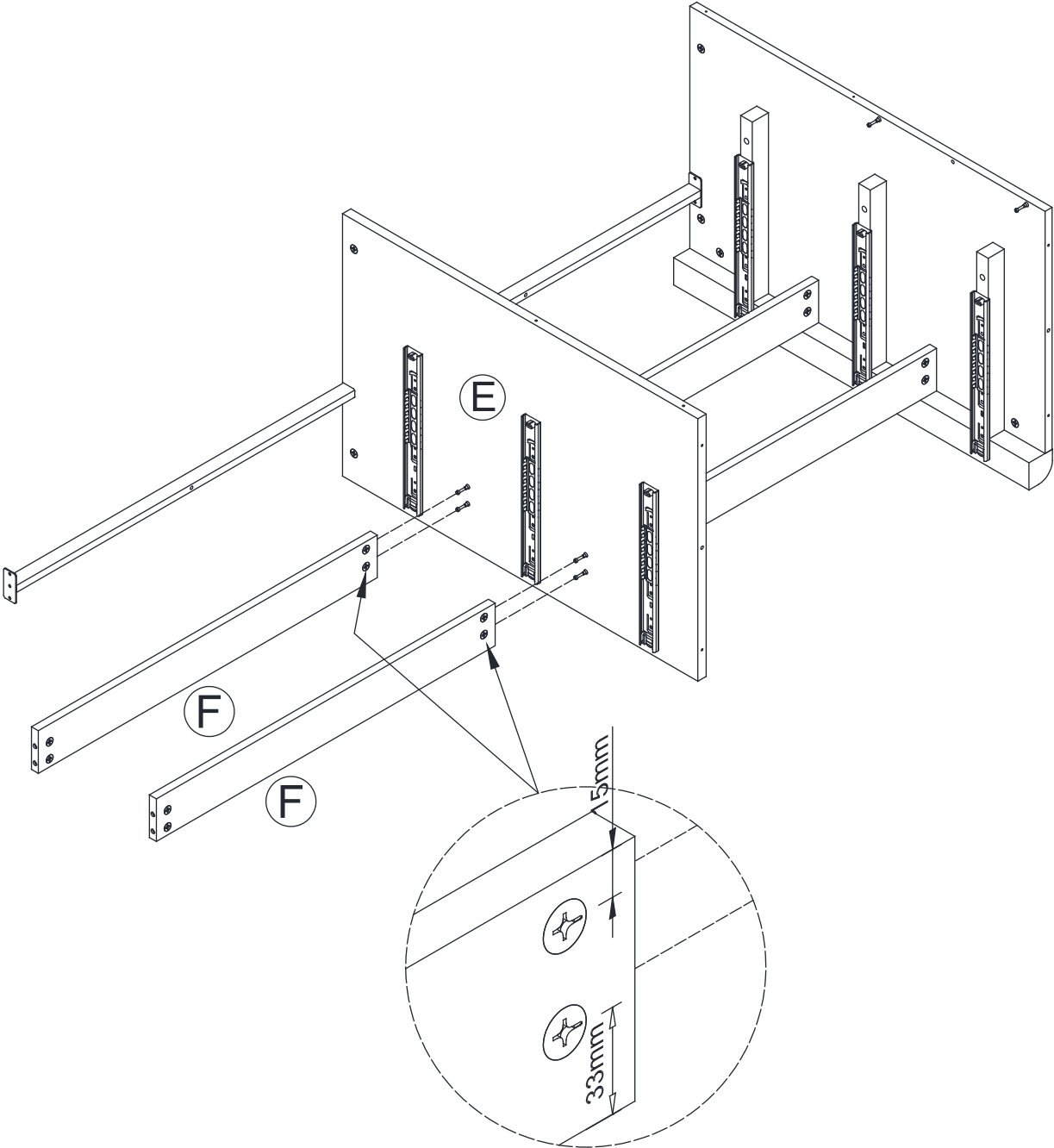
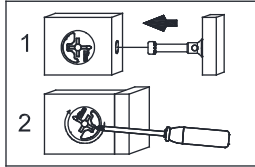
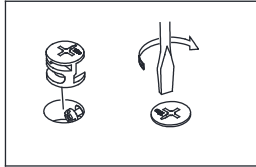
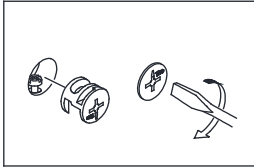
Step 10

- ◆ Fasten the Connecting Tube (S) to the Left Side Panel (C) by using the Pan Head Screws (9).



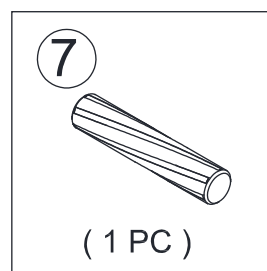
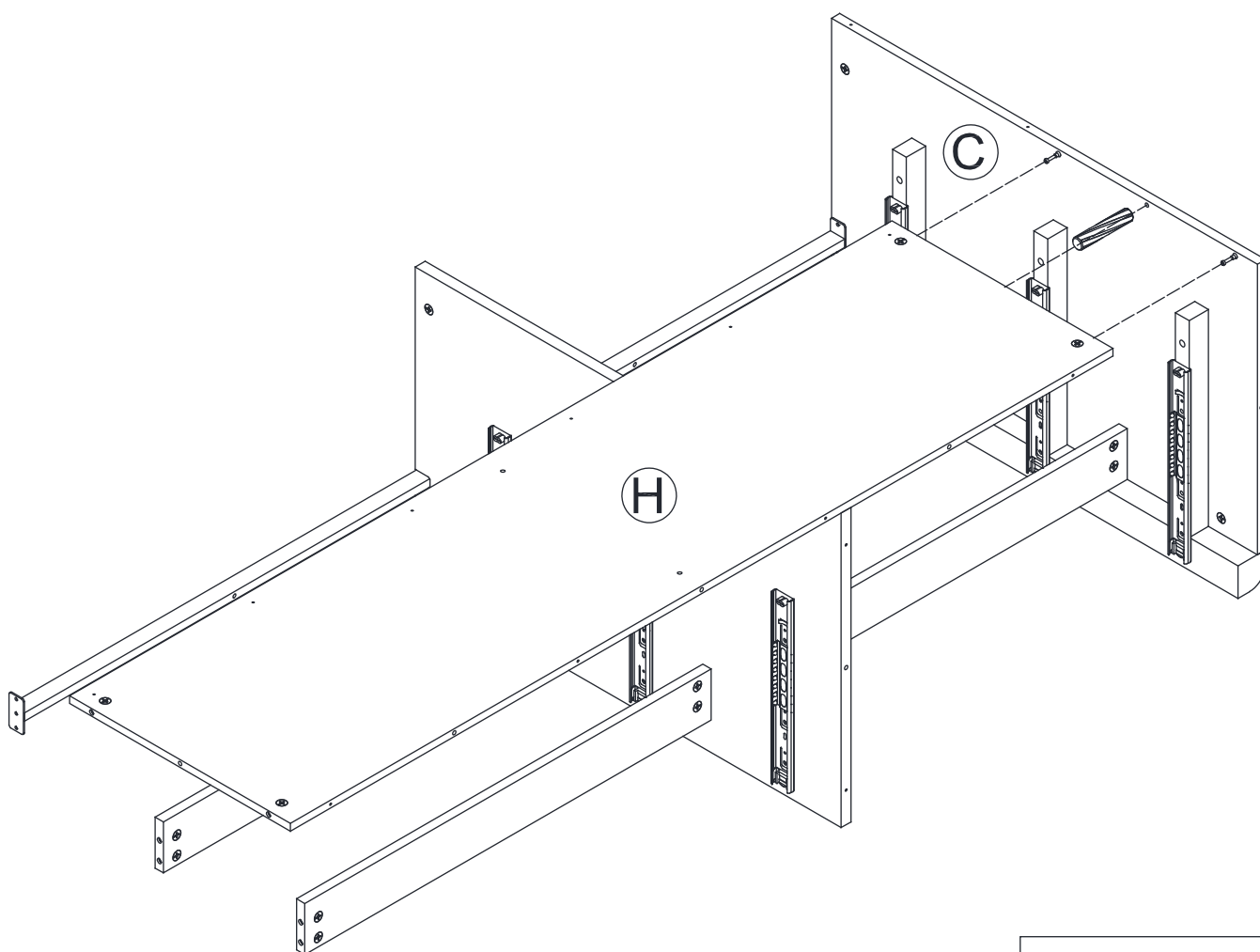
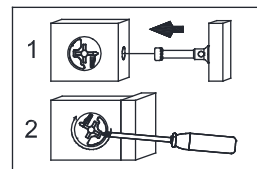
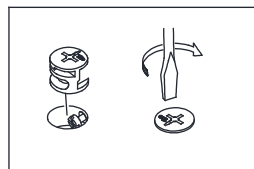
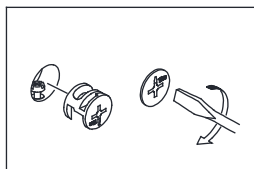
Step 11

◆ Using Cam Locks to attach the Connector Panel (F) to the Middle Side Panel (E).



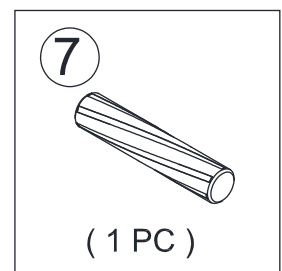
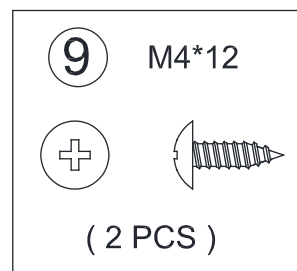
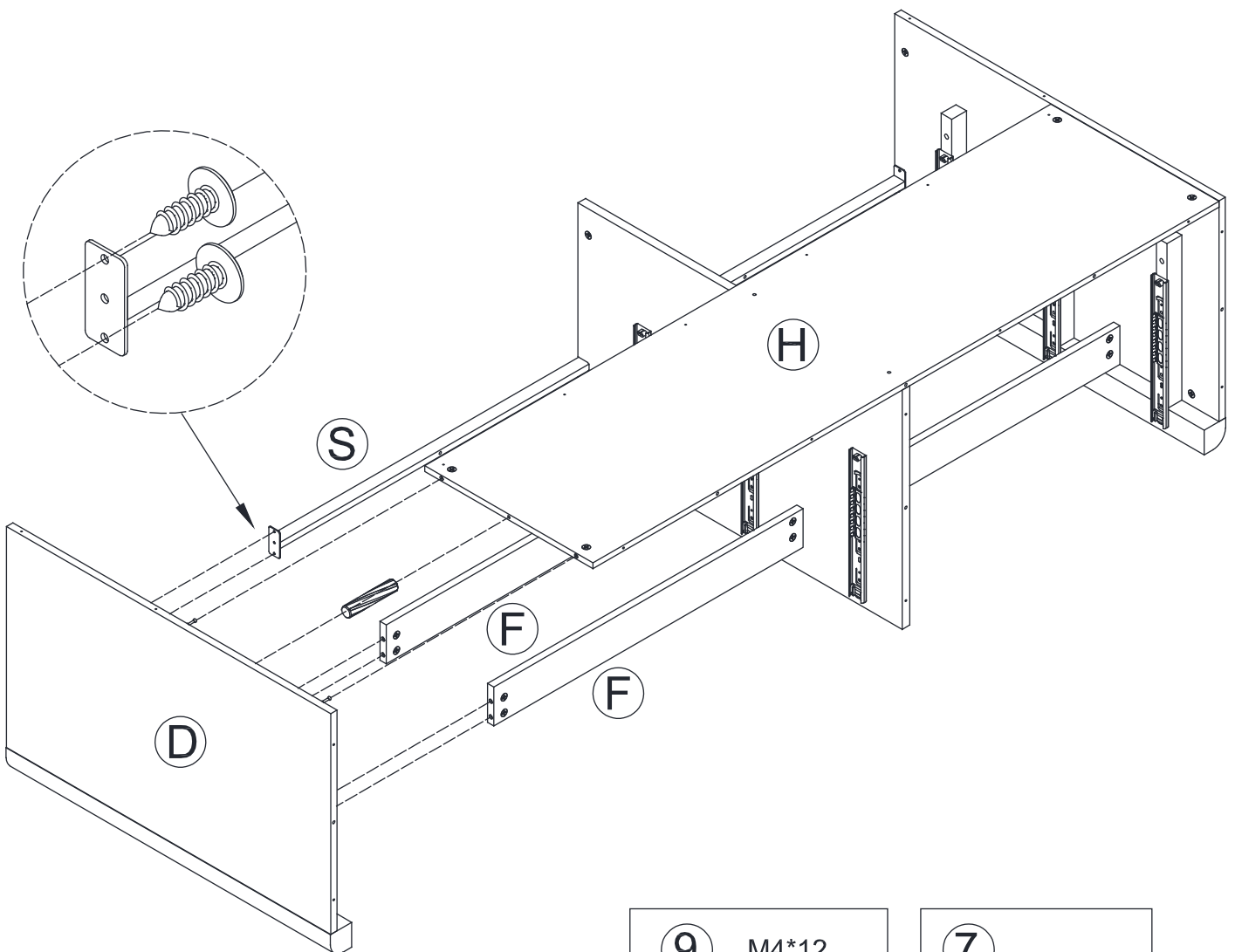
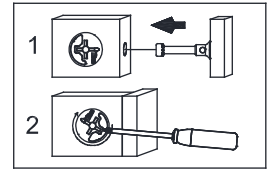
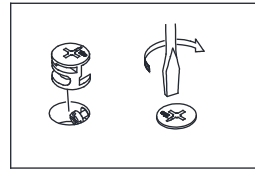
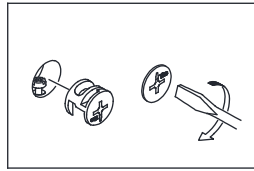
Step 12

◆ Using Cam Locks and Wood Dowels (7) to attach the Lower Back Panel (H) to the Left Side Panel (C).



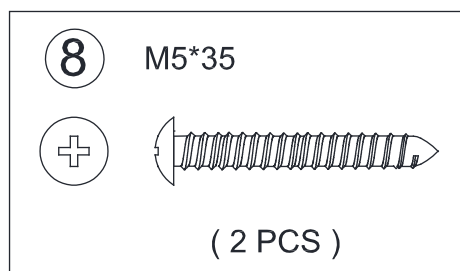
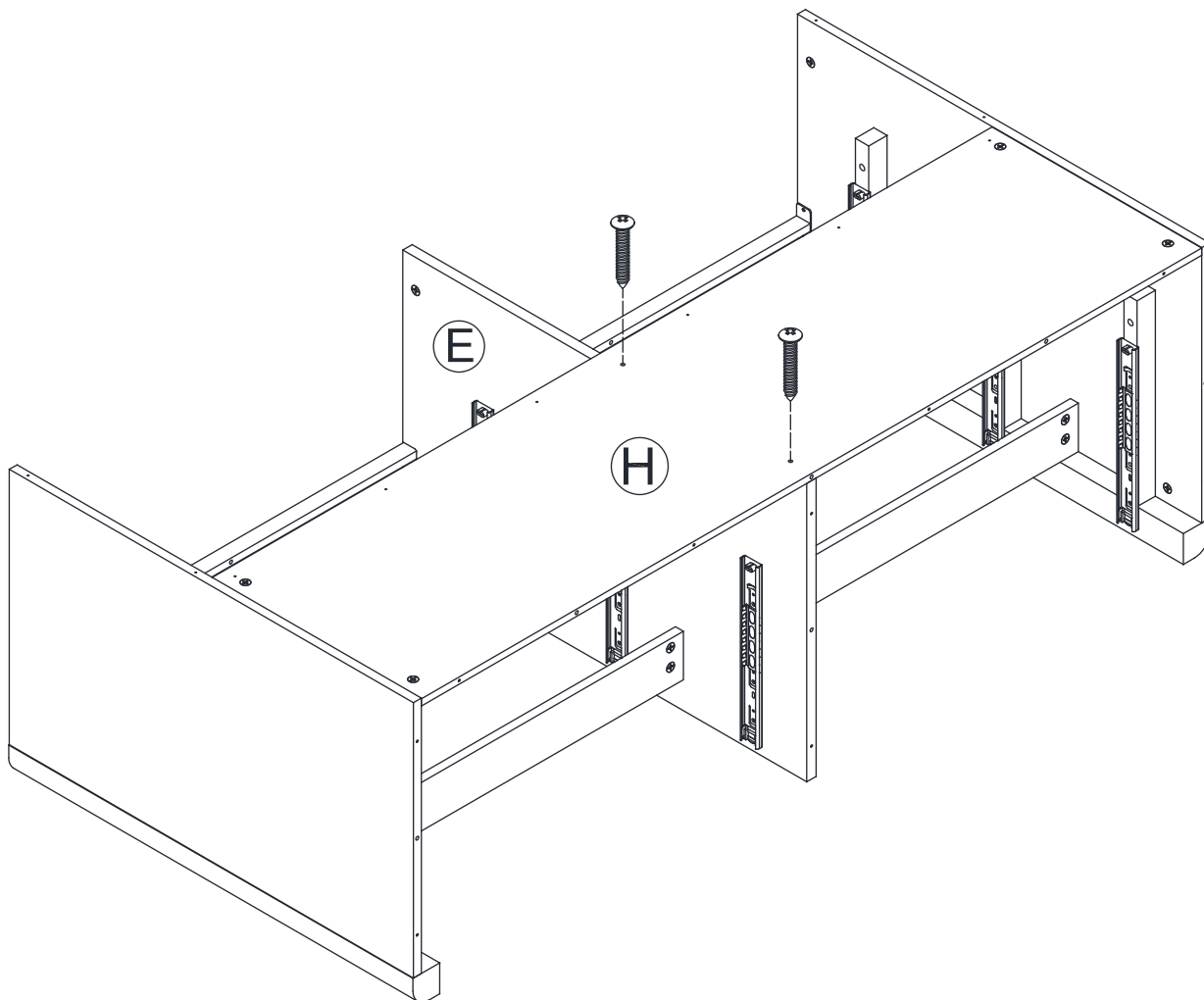
Step 13

- ◆ Using Cam Locks, the Wood Dowels (7) and the Pan Head Screws (9) to attach the Right Side Panel (D) to the lower back panel (H), Connector Panels (F), and Connecting Tube (S).



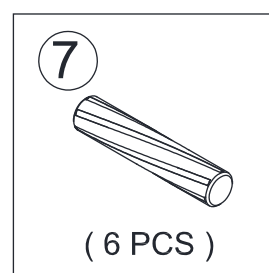
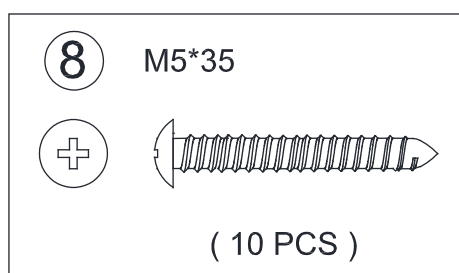
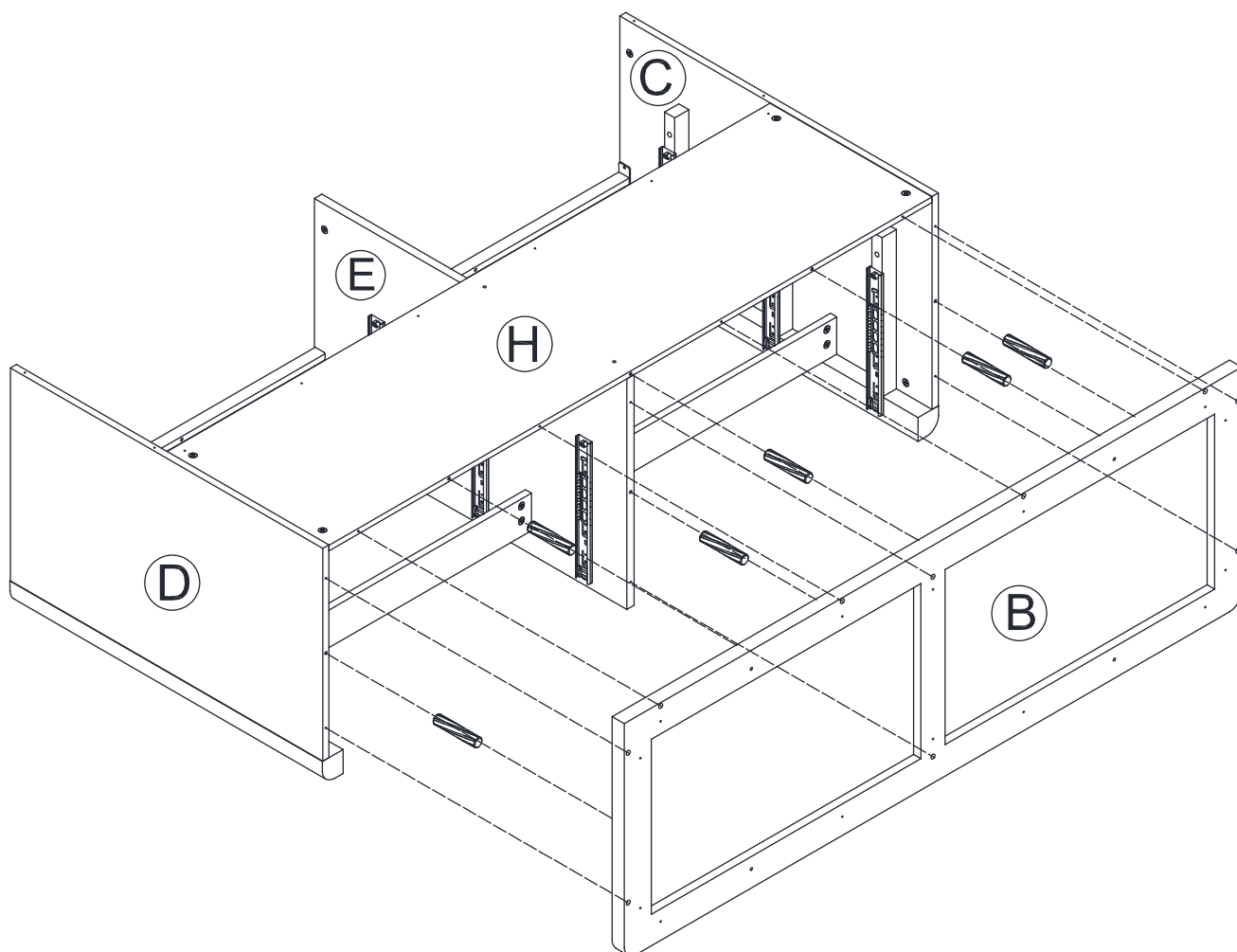
Step 14

- ◆ Fasten the Lower Back Panel (H) to the Middle Side Panel (E) by using the Pan Head Screws (8).



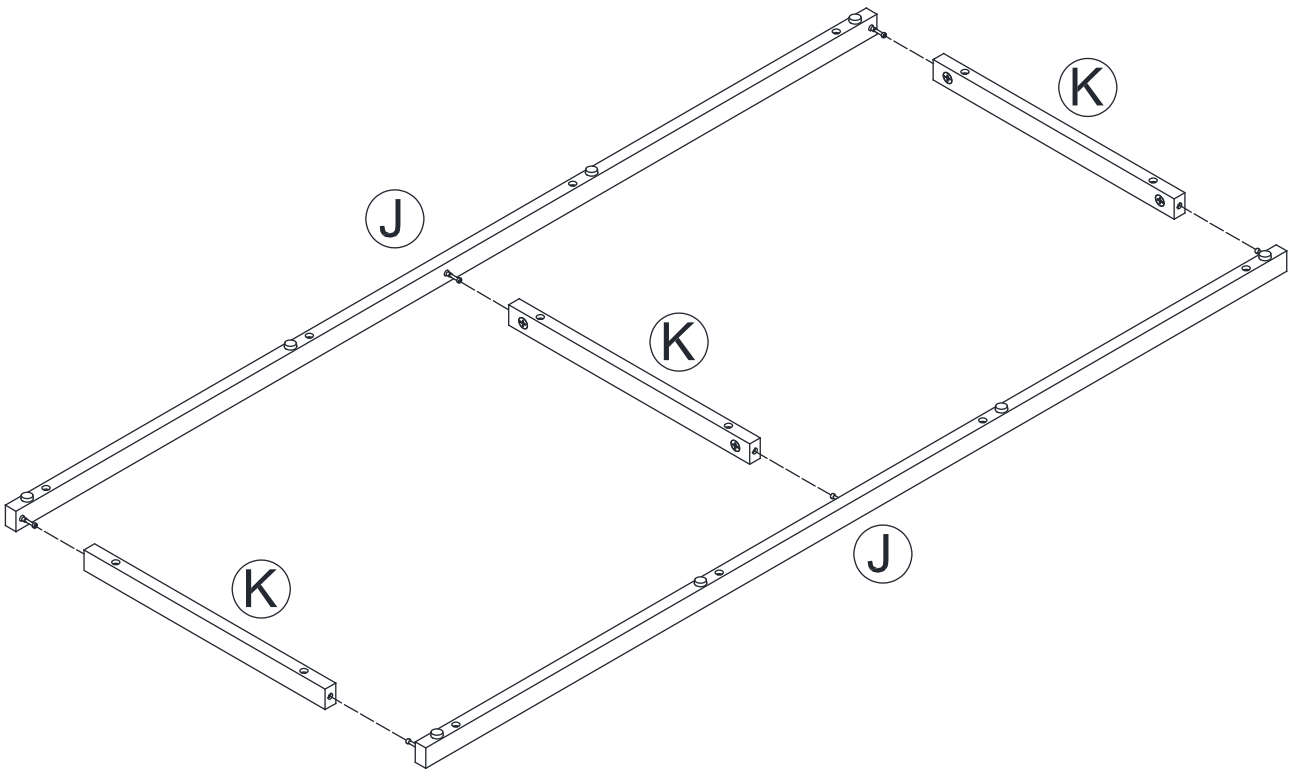
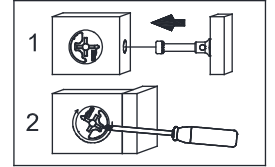
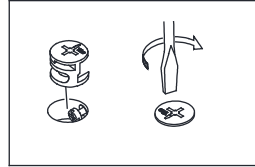
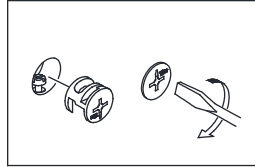
Step 15

- ◆ Fasten the Bottom Panel (B) to the Side Panels (C, D), Middle Side Panel (E), and Lower Back Panel (H) by using Wood Dowels (7) and the Pan Head Screws (8).



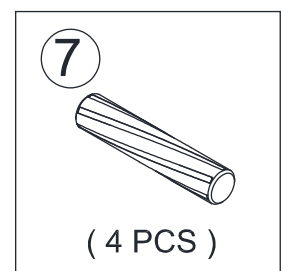
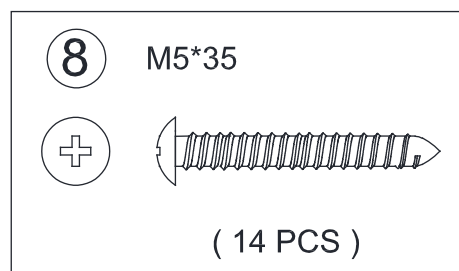
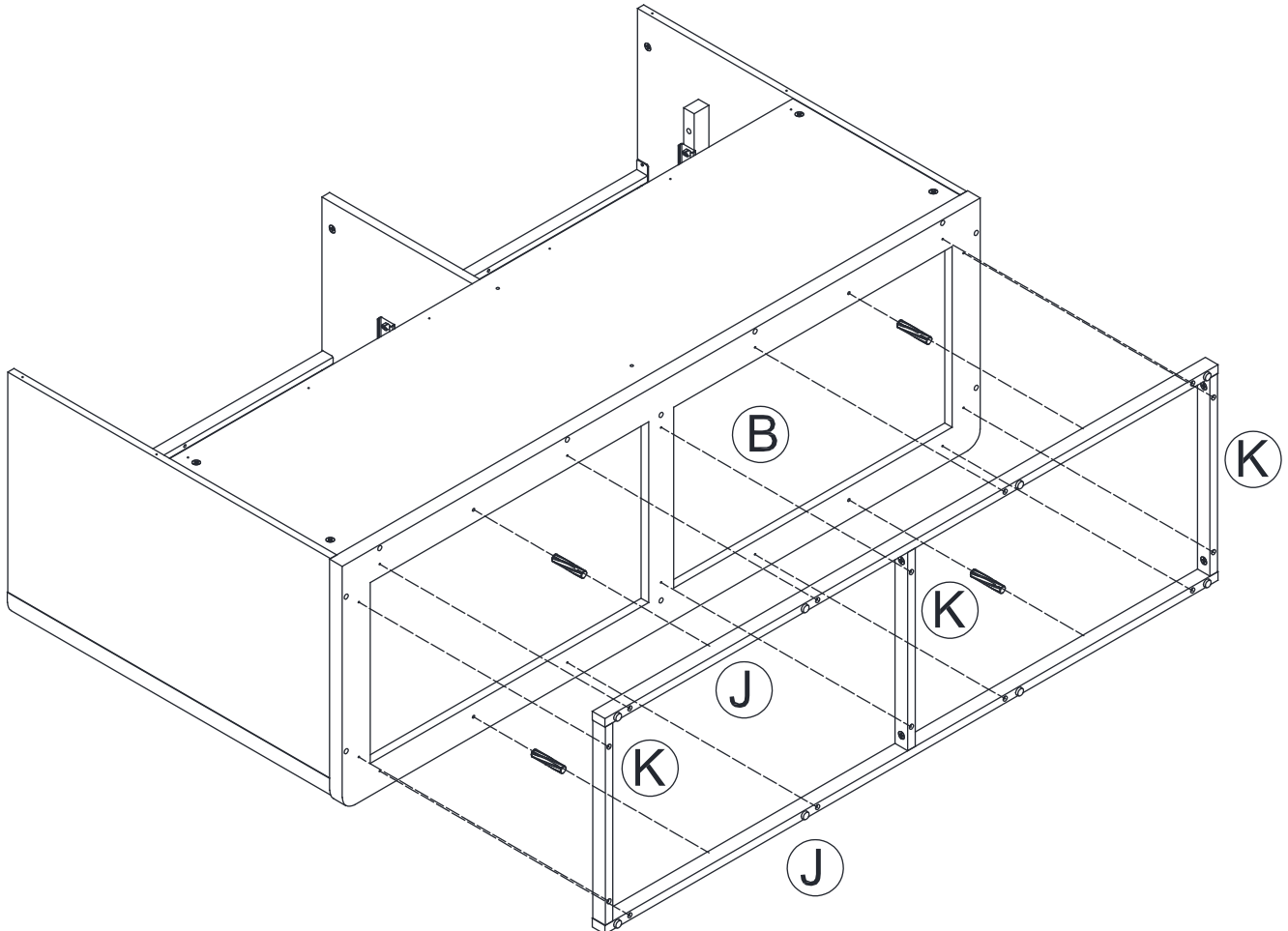
Step 16

- ◆ Using Cam Locks to attach the Lower Front/Rear Stretchers (J) to the Lower Middle Stretchers (K).



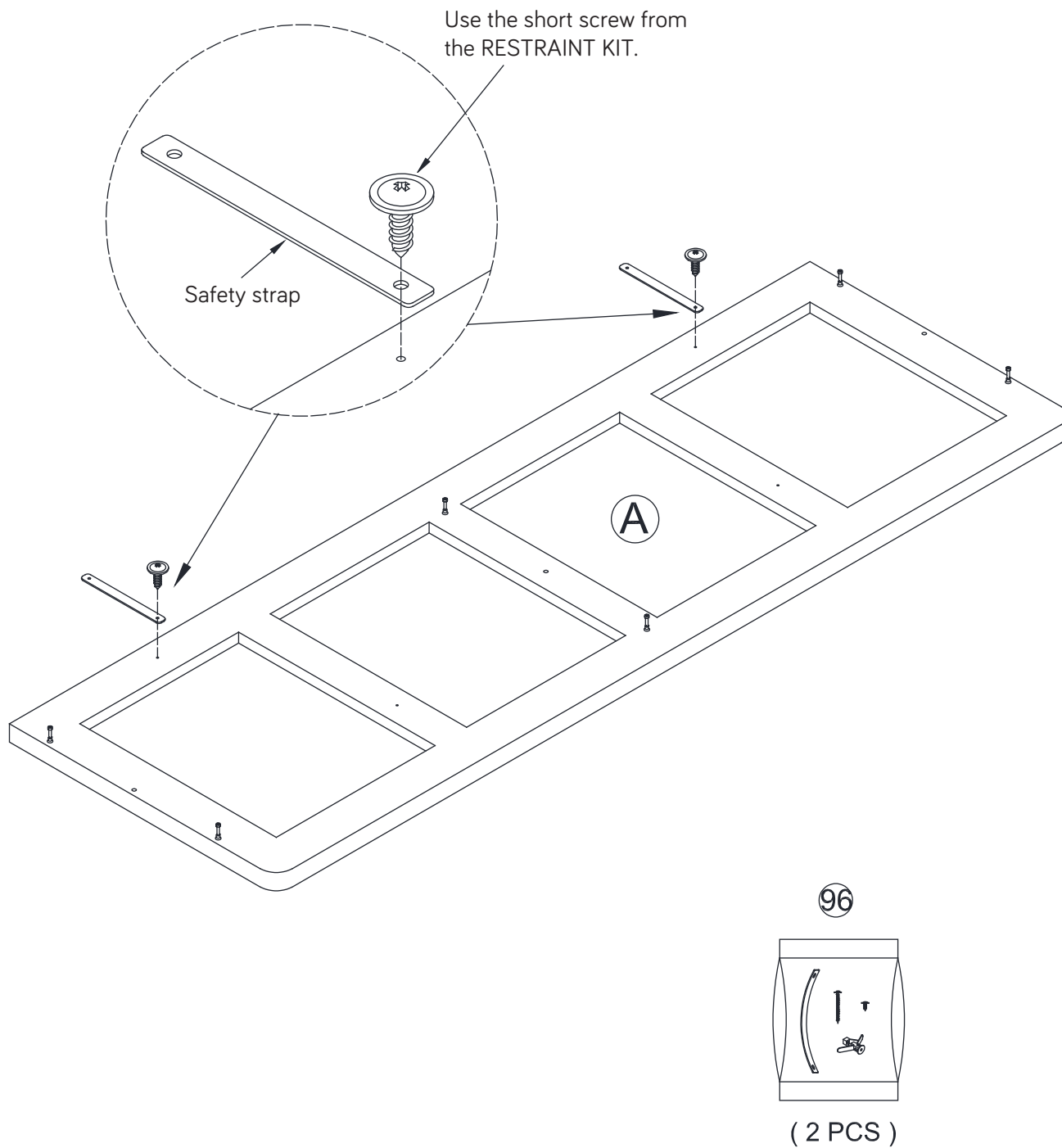
Step 17

- ◆ Fasten the Lower Front/Rear Stretchers (J) and Lower Middle Stretchers (K) to the Bottom Panel (B) by using Wood Dowels (7) and the Pan Head Screws (8).



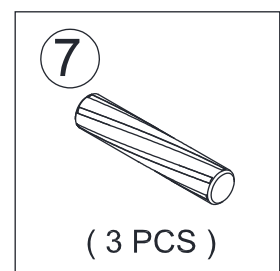
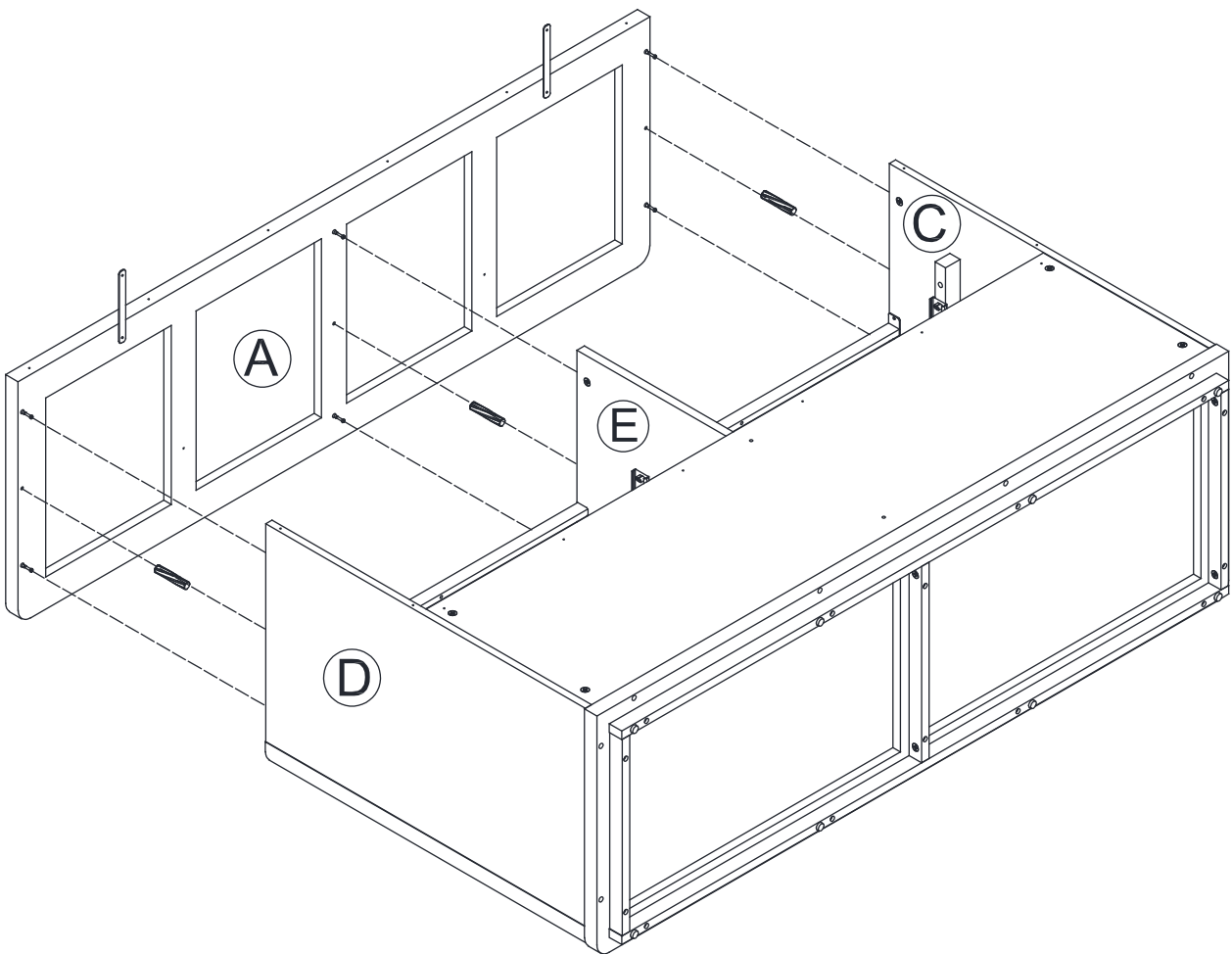
Step 18

- ◆ Fasten the Furniture-Tipping Restraini Kit (96) to the Top Panel (A).



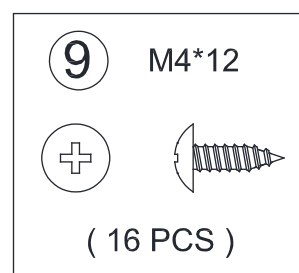
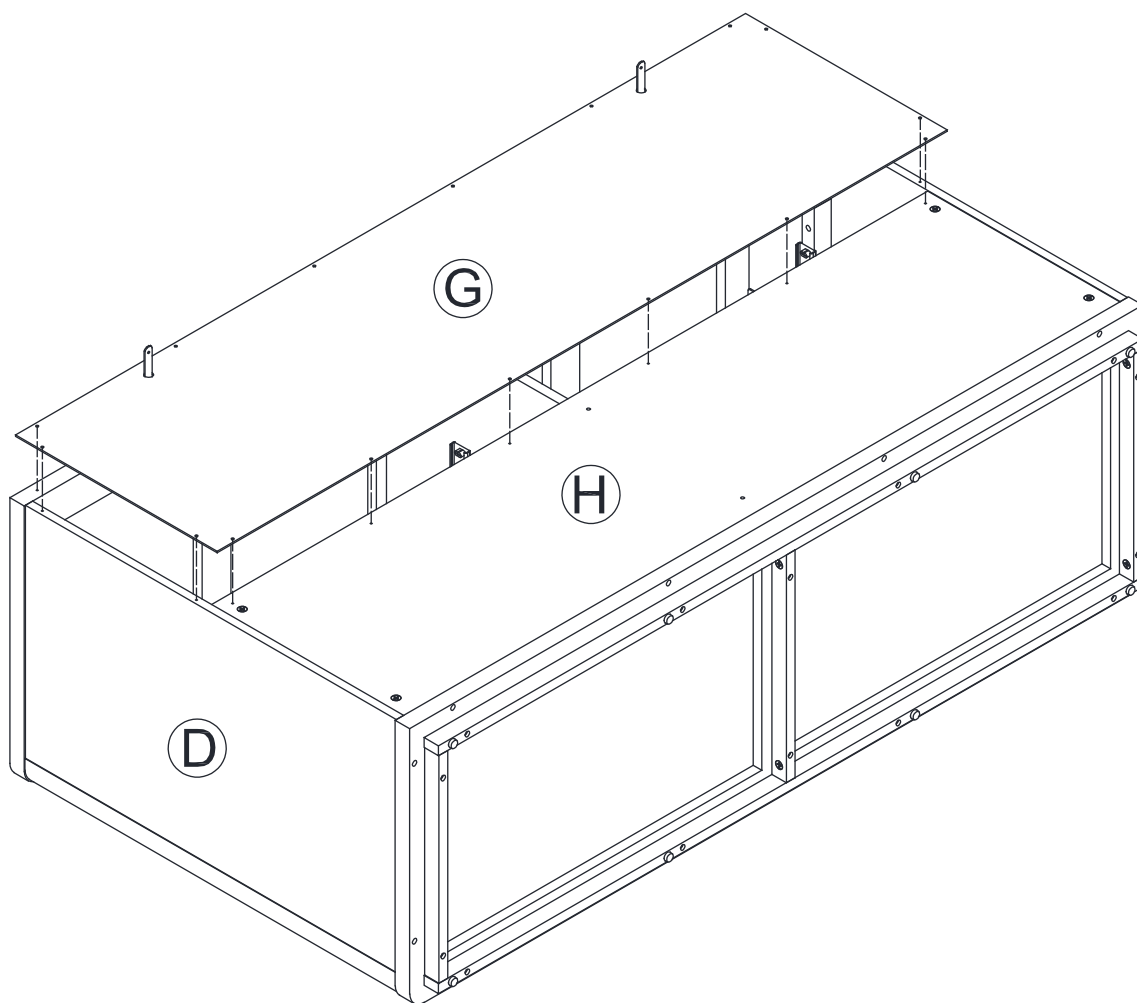
Step 19

- ◆ Using Cam Locks and Wood Dowels (7) to attach the Top Panel (A) to the Side Panels (C, D) and Middle Side Panel (E).



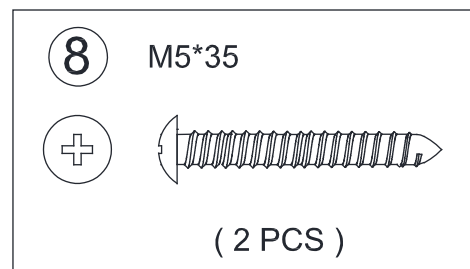
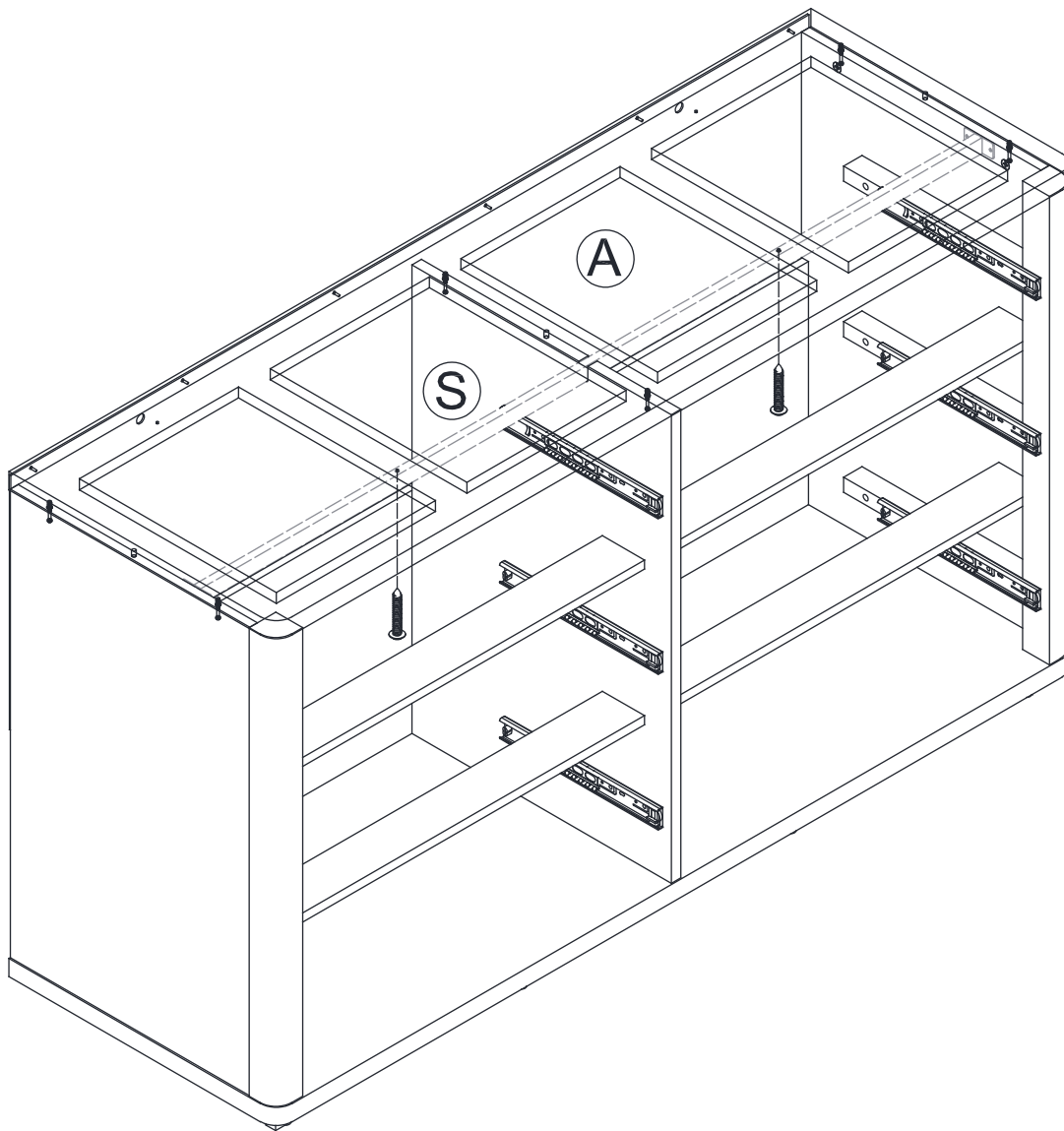
Step 20

- ◆ Fasten the Upper Back Panel (G) to the Side Panels (C, D), Top Panel (A), and the Lower Back Panel (H) by using the Pan Head Screws (9).



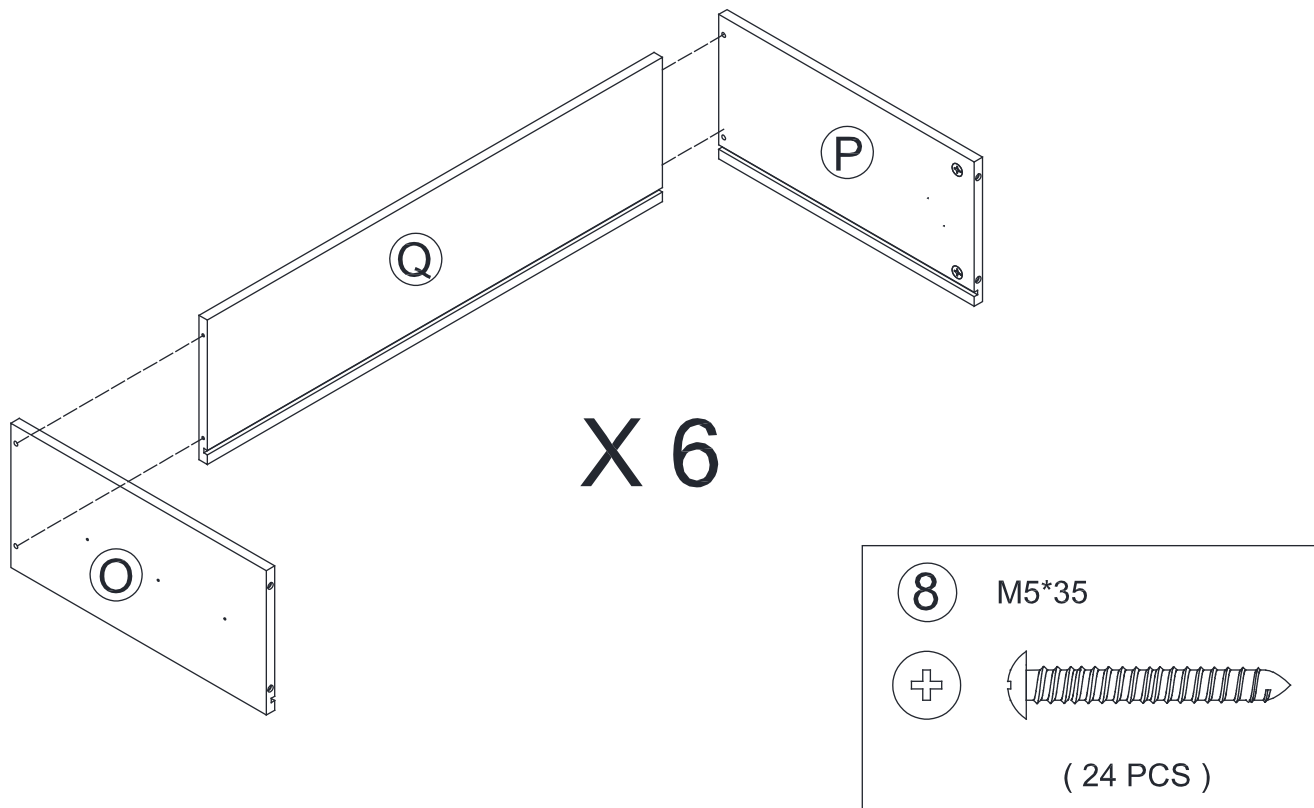
Step 21

- ◆ Fasten the Connecting Tube (S) to the Top Panel (A) by using the Pan Head Screws (8).

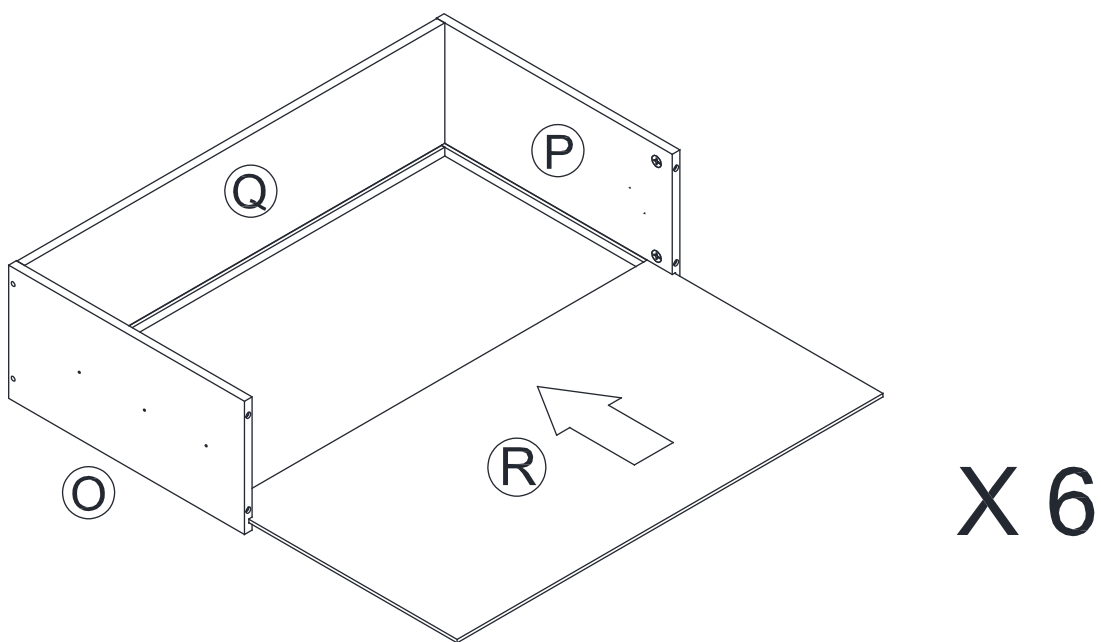


Step 22

- ◆ Secure the Left and Right Drawer Side Panels (O, P) to the Drawer Back Panel (Q) by using the Pan Head Screw (8).

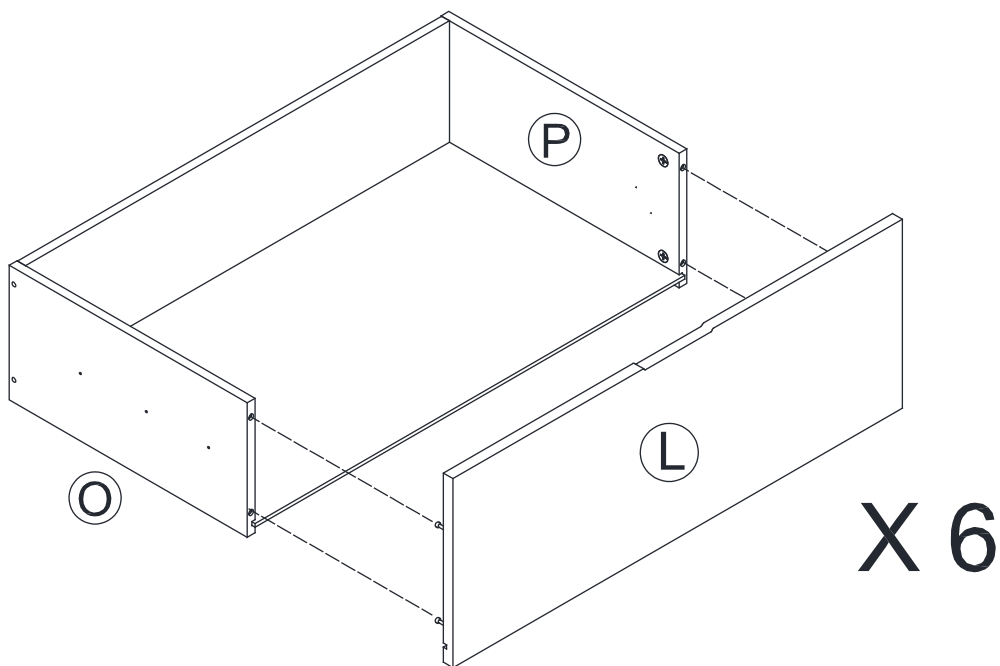
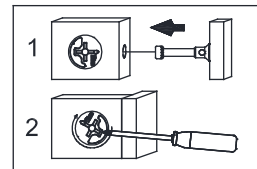
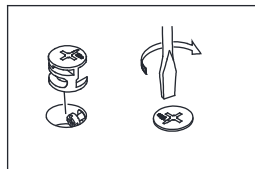
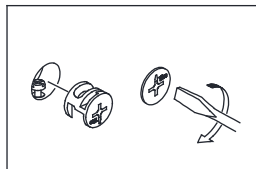


- ◆ Slide the Drawer Bottom Panel (R) into the grooves of the Left and Right Drawer Side Panels (O, P) and the Drawer Back Panel (Q).



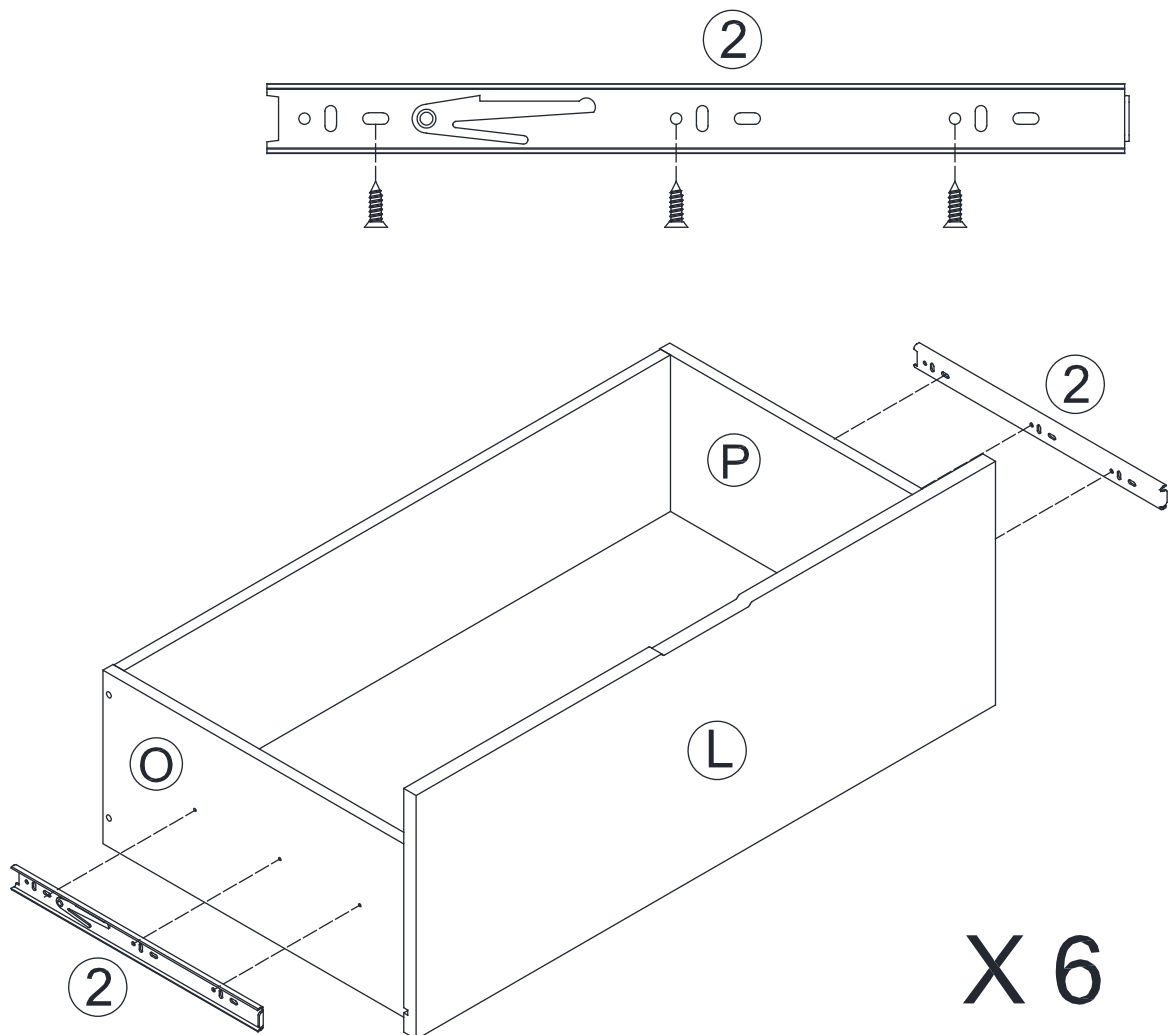
Step 23

- ◆ Attach the Drawer Front Panels (L) to the Drawer Side Panels (O, P) by using Cam Locks.



Step 24

- ◆ Fasten the Extension Slides (2) to the Drawer Side Panels (O, P) by using the Flat Head Screws (10).



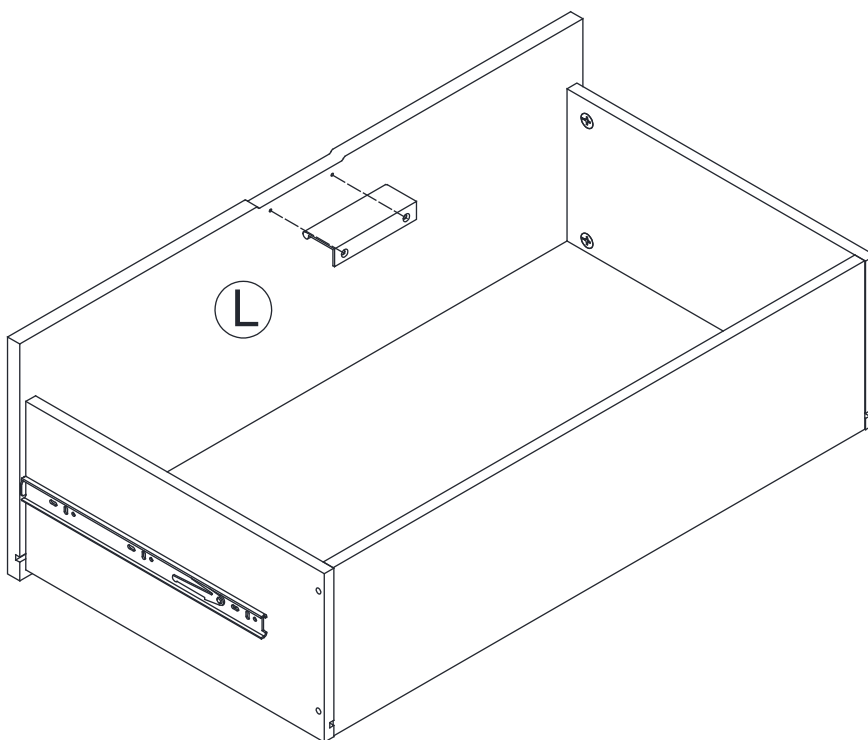
10 M4*12



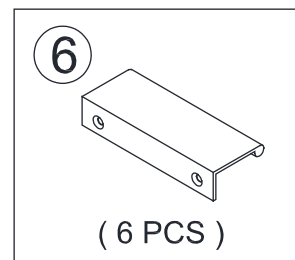
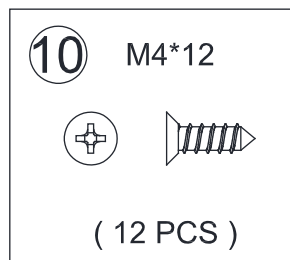
(36 PCS)

Step 25

- ◆ Fasten the Pull (6) to the Drawer Front Panels (L) by using the Flat Head Screws (10).

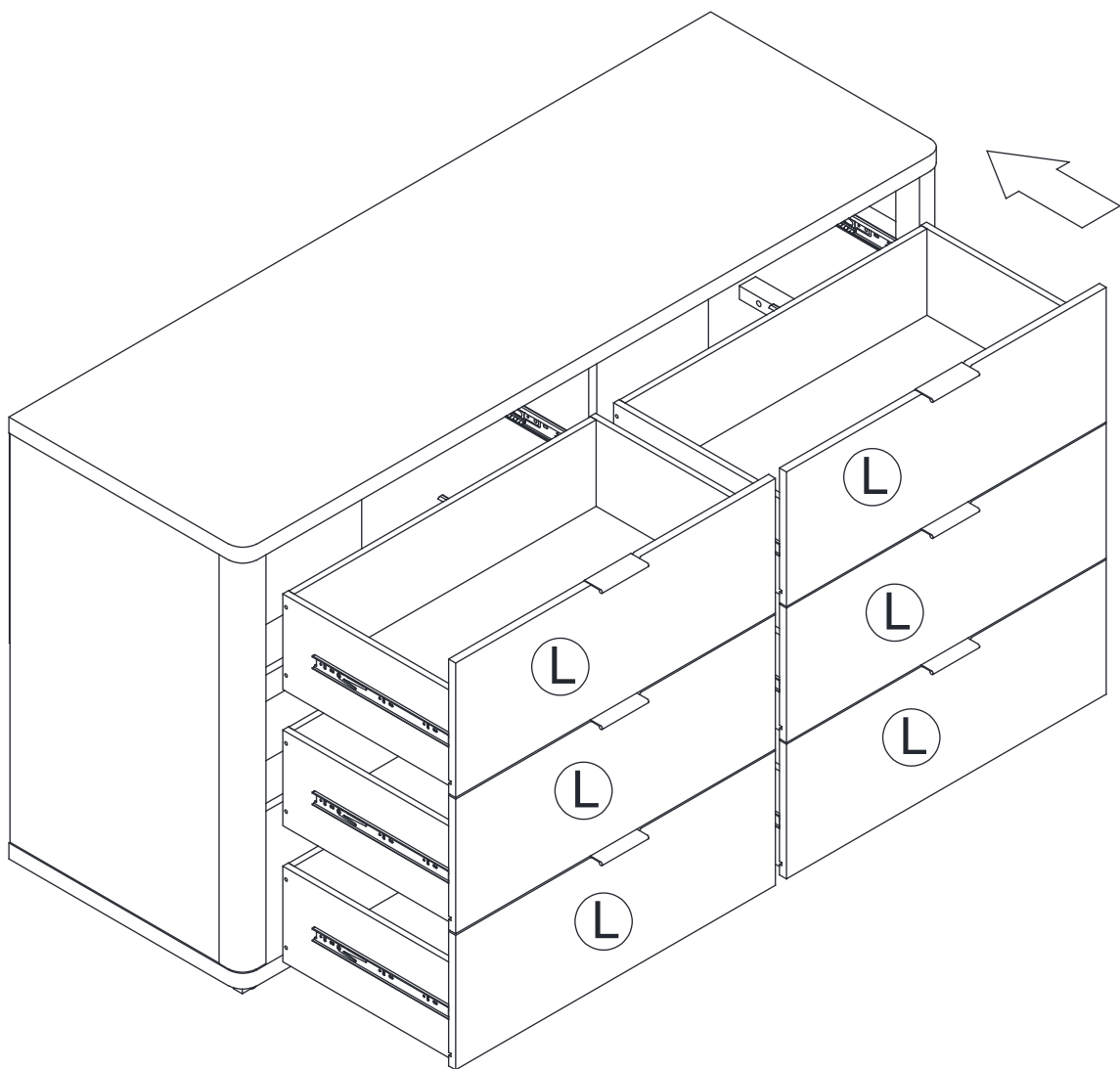
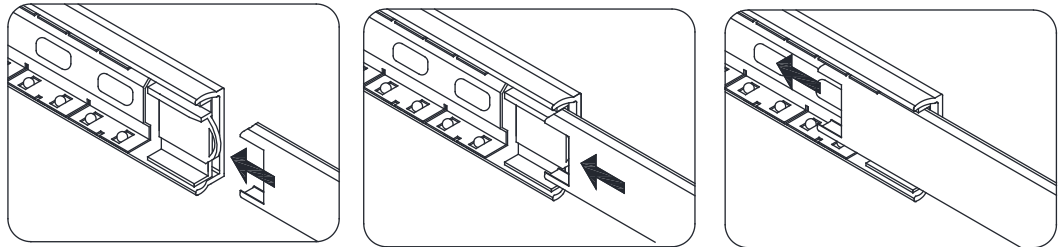


X 6



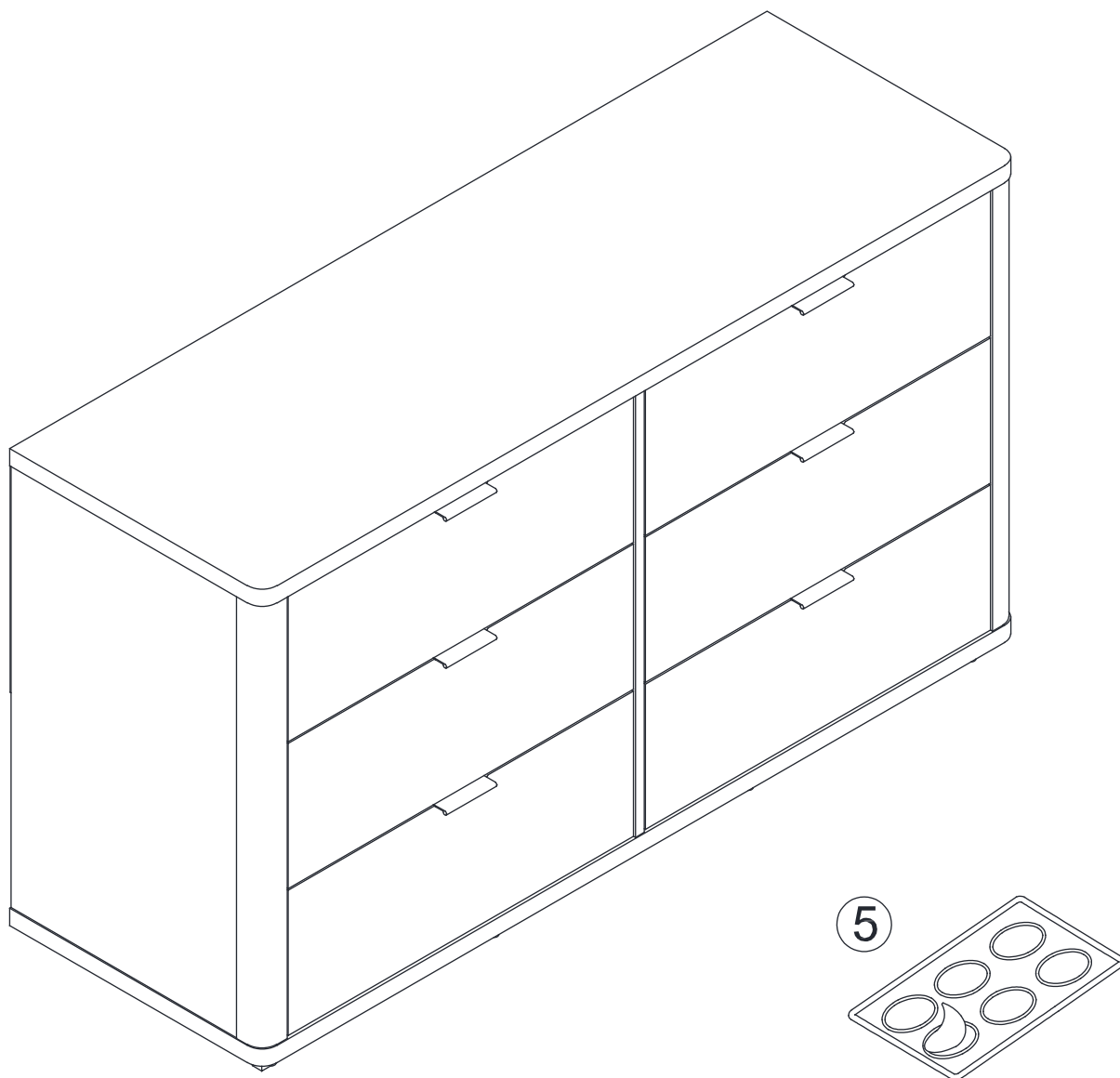
Step 26

- ◆ Insert the drawers into the assembled cabinet by aligning and sliding the rails.



Step 27

- ◆ Peel APPLIQUES from the APPLIQUE CARD (5) and stick them onto each visible HIDDEN CAM.

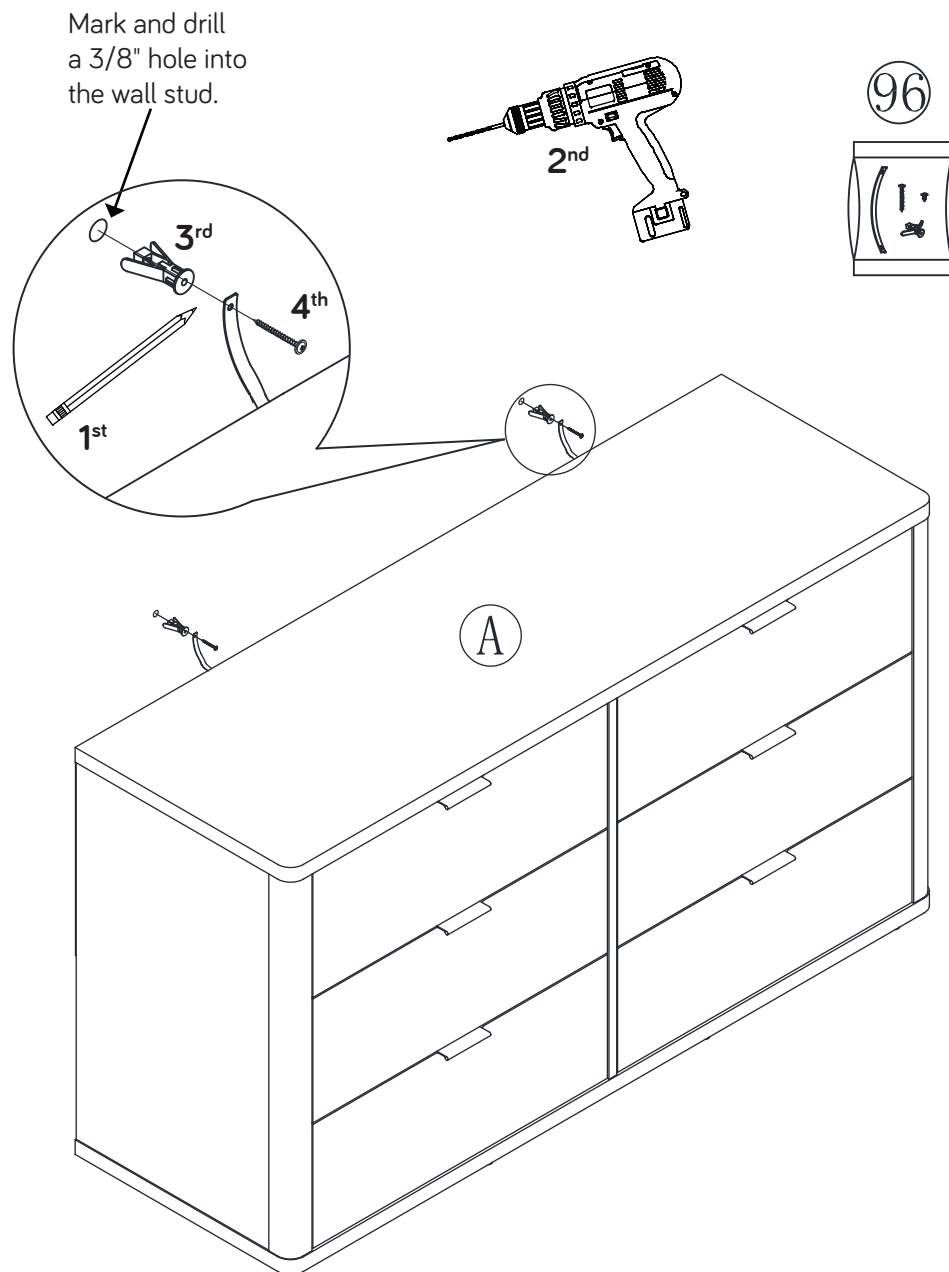


Step 28

Open the FURNITURE TIPPING RESTRAINT KIT (96) and fasten the SAFETY STRAP to the TOP (A). Use the SHORT SCREW through the hole in the strap and into the top surface of the TOP (A). Place your unit in its final location.

NOTE: The following instructions show your unit being fastened to a wall stud. If you are not fastening your unit wall stud, go to the next step now.

- 1st- Locate the center of a stud in your wall near your unit and mark it with a pencil.
- 2nd- Drill a 3/8" hole on the mark and into the stud in your wall.
- 3rd- Fasten the unit to the wall. Use the LONG SCREW through the other end of the SAFETY STRAP and into the 3/8" hole.



Step 29

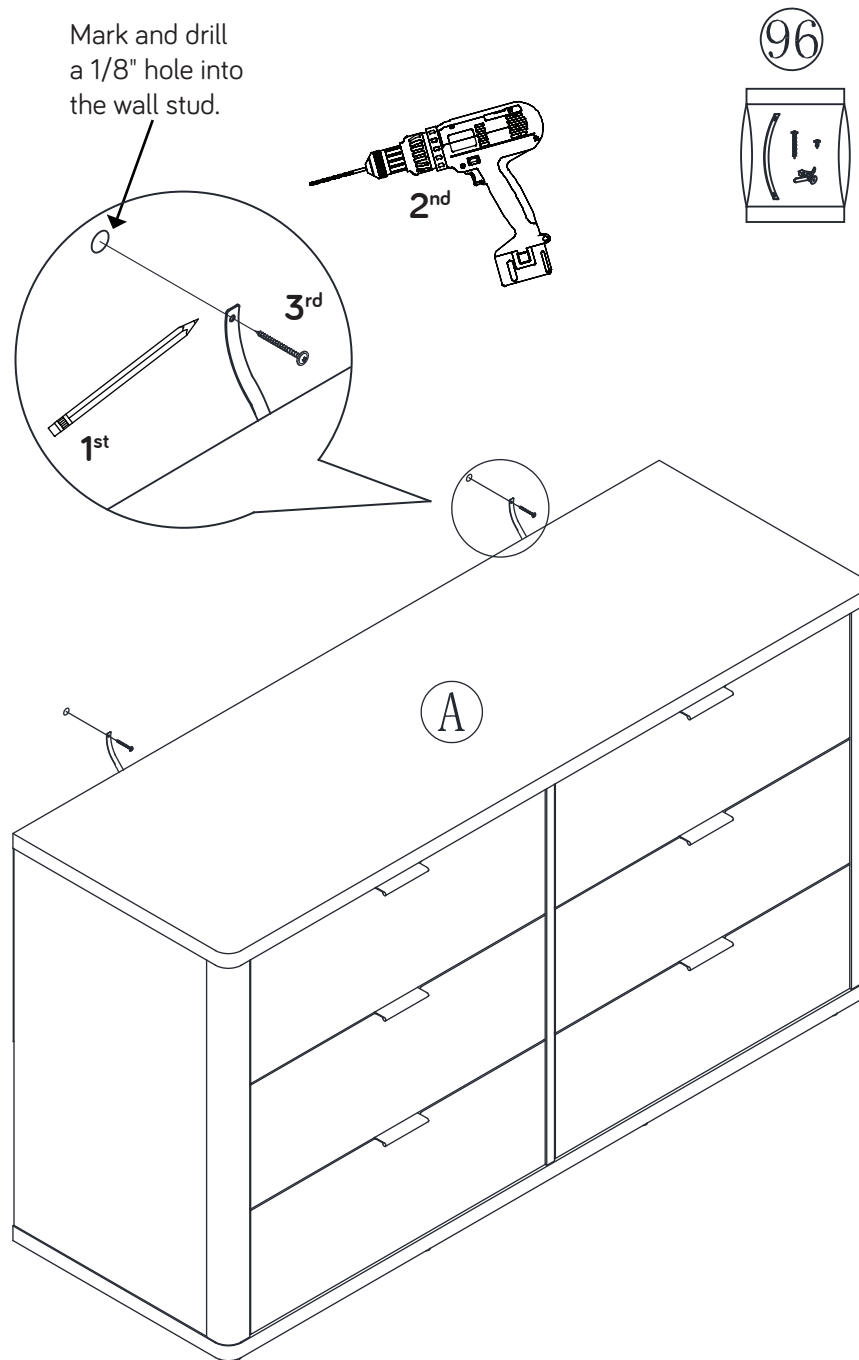
1st- With your pencil, strike a mark through the center of the hole in the SAFETY STRAP.

2nd- Drill a 1/8" hole on the mark.

3rd- While you squeeze the wings together, gently tap the WALL ANCHOR from the FURNITURE TIPPING RESTRAINT KIT (96) into the hole until it is even with the surface of the wall.

4th- Turn the LONG SCREW through the hole in the SAFETY STRAP and into the WALL ANCHOR.

NOTE: You will need to turn the LONG SCREW multiple turns to completely tighten and secure your unit.





MANHATTAN COMFORT

WARRANTY POLICY

All Manhattan Comfort furniture products are warranted, to the original purchaser at the time of purchase and for a period of 30 days thereafter.

Our warranty is limited to new products purchased in factory sealed cartons. This warranty is valid in the United States of America and Canada.

In order to provide you with timely assistance, please thoroughly inspect your furniture for missing or defective parts immediately after opening the carton.

Manhattan Comfort offers a 30-day parts replacement warranty on all items.

Our furniture products are not intended for outdoor use.

THE WARRANTY DOES NOT COVER:

- Defects/damages by improper assembly or disassembly.
- Defects/damages caused by shipping. Claims for damage during transit should be placed immediately to the transportation company.
- Defects/damages caused by inappropriate use of the furniture.



319 Ridge Rd. Dayton, NJ 08810

908-888-0818