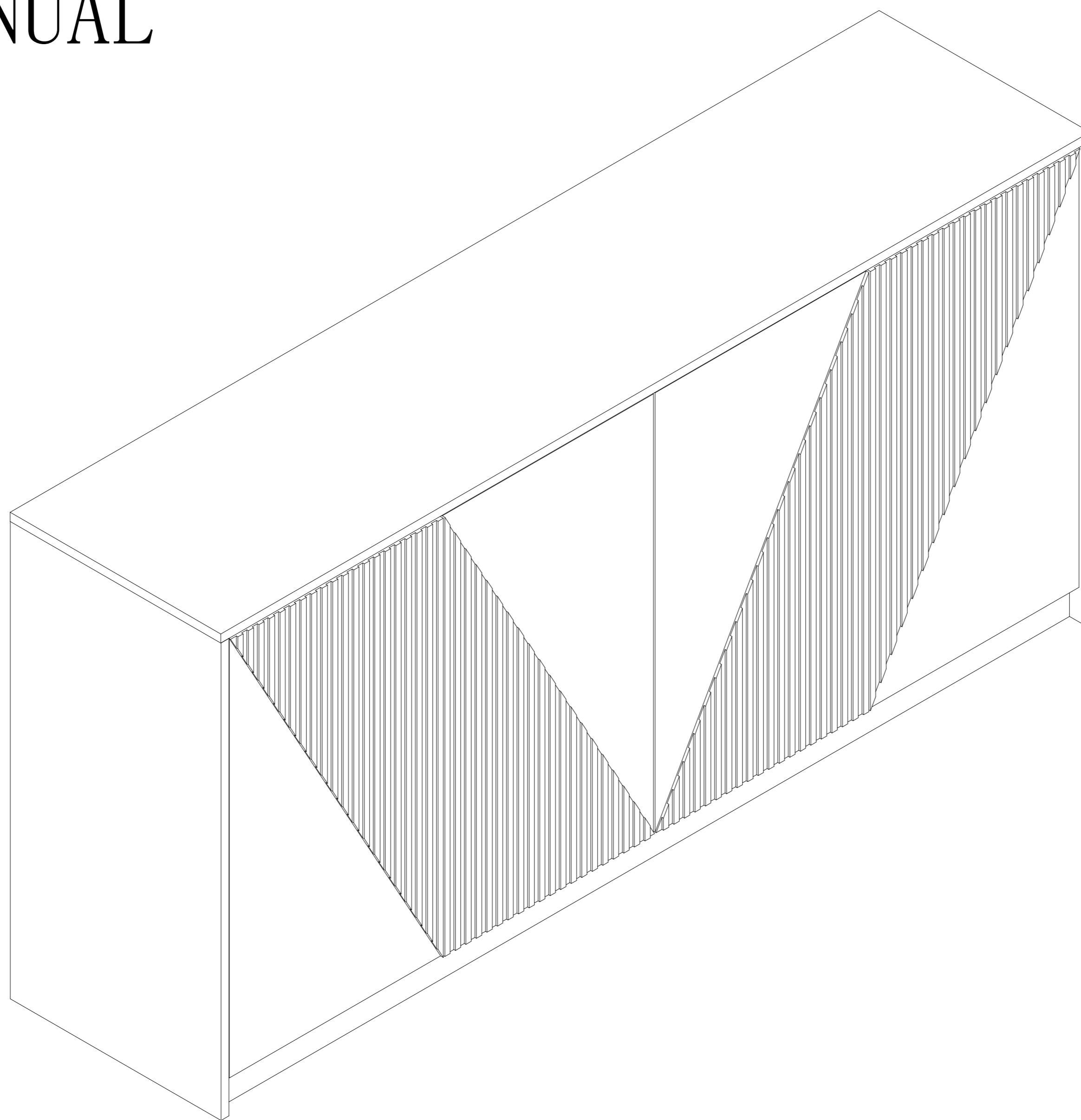
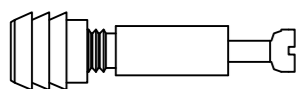

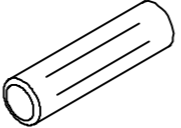
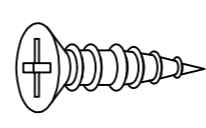
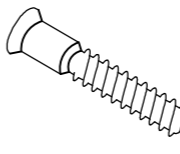
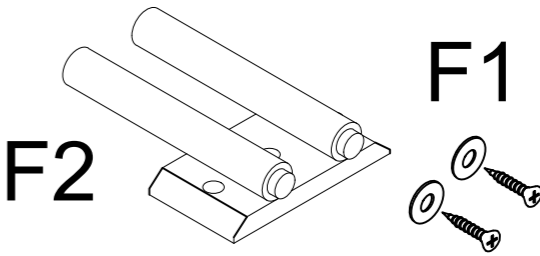
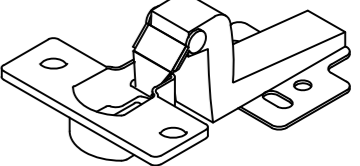
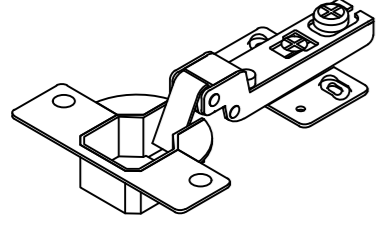
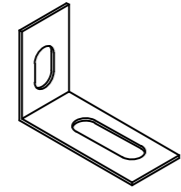
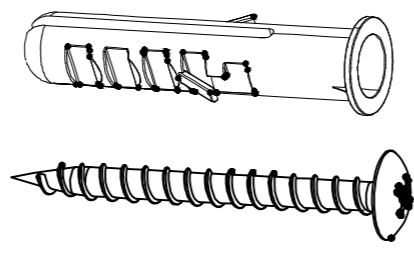
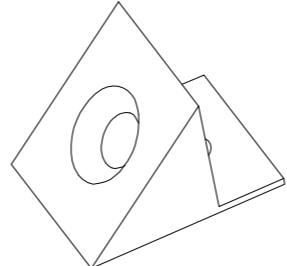
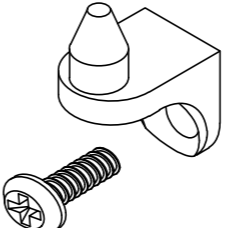
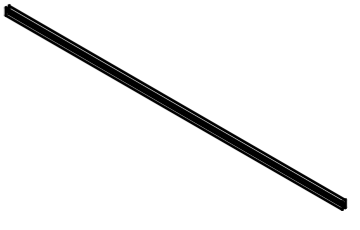
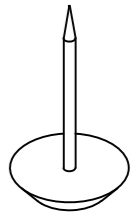


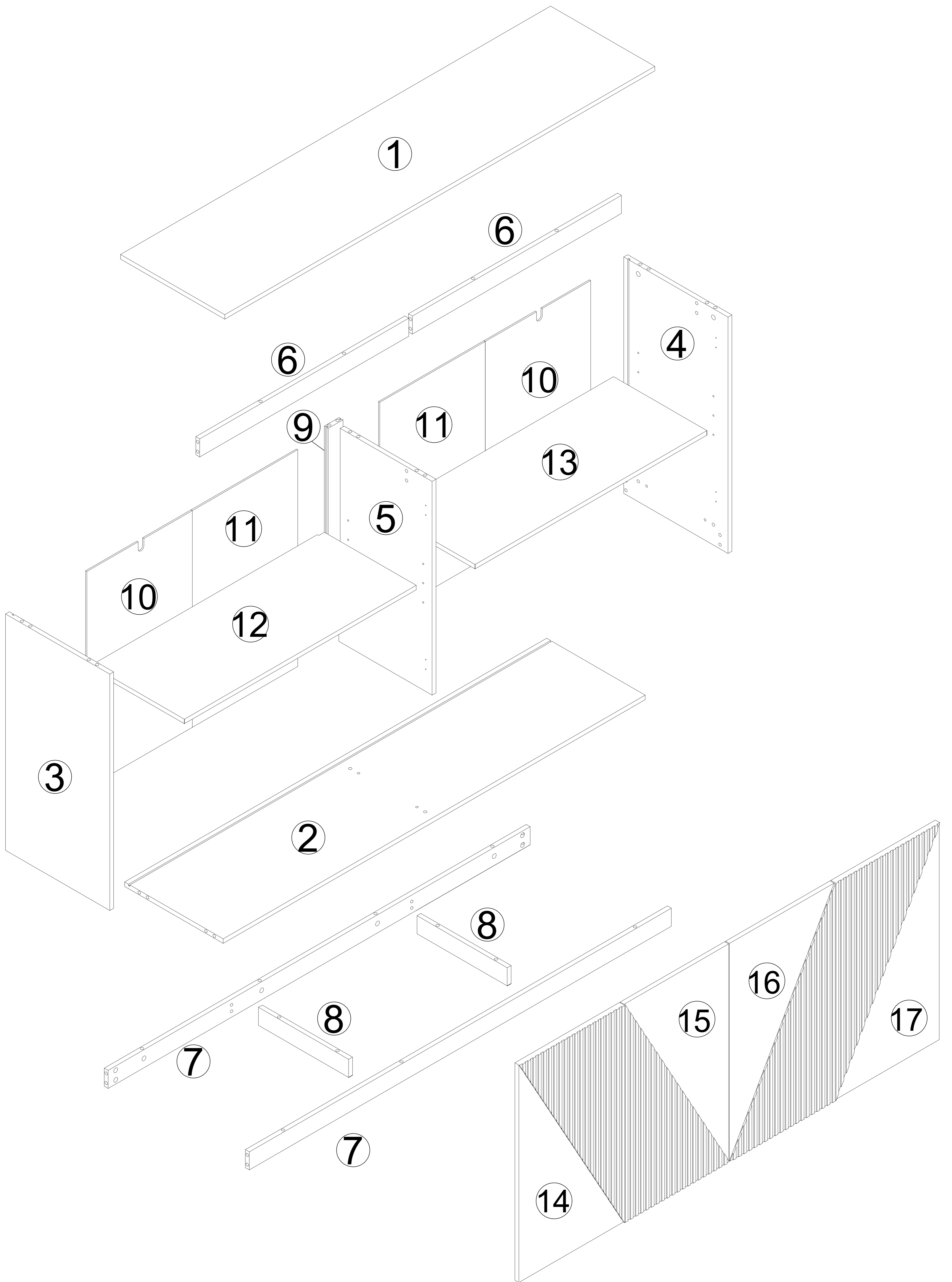
USER MANUAL

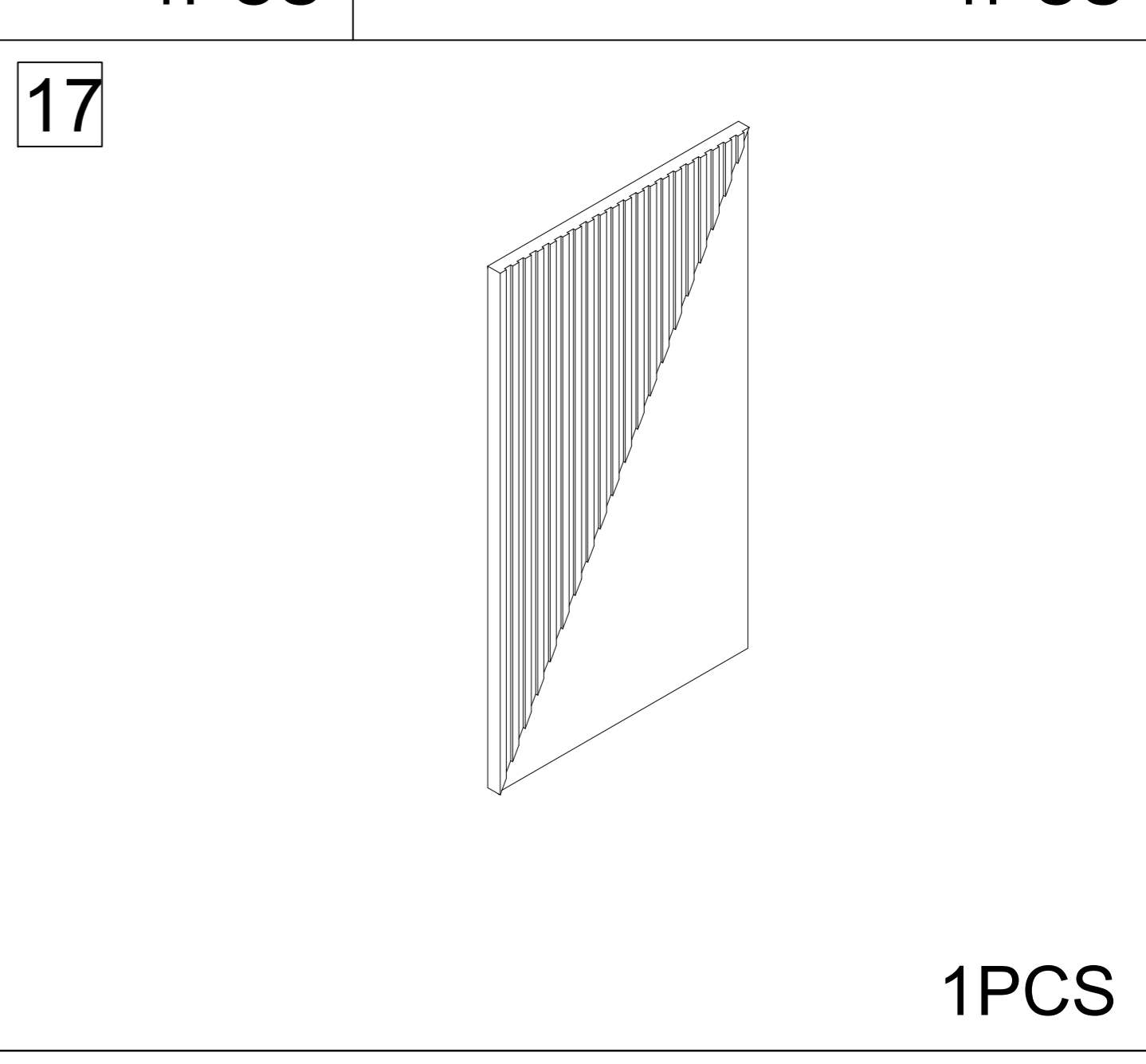
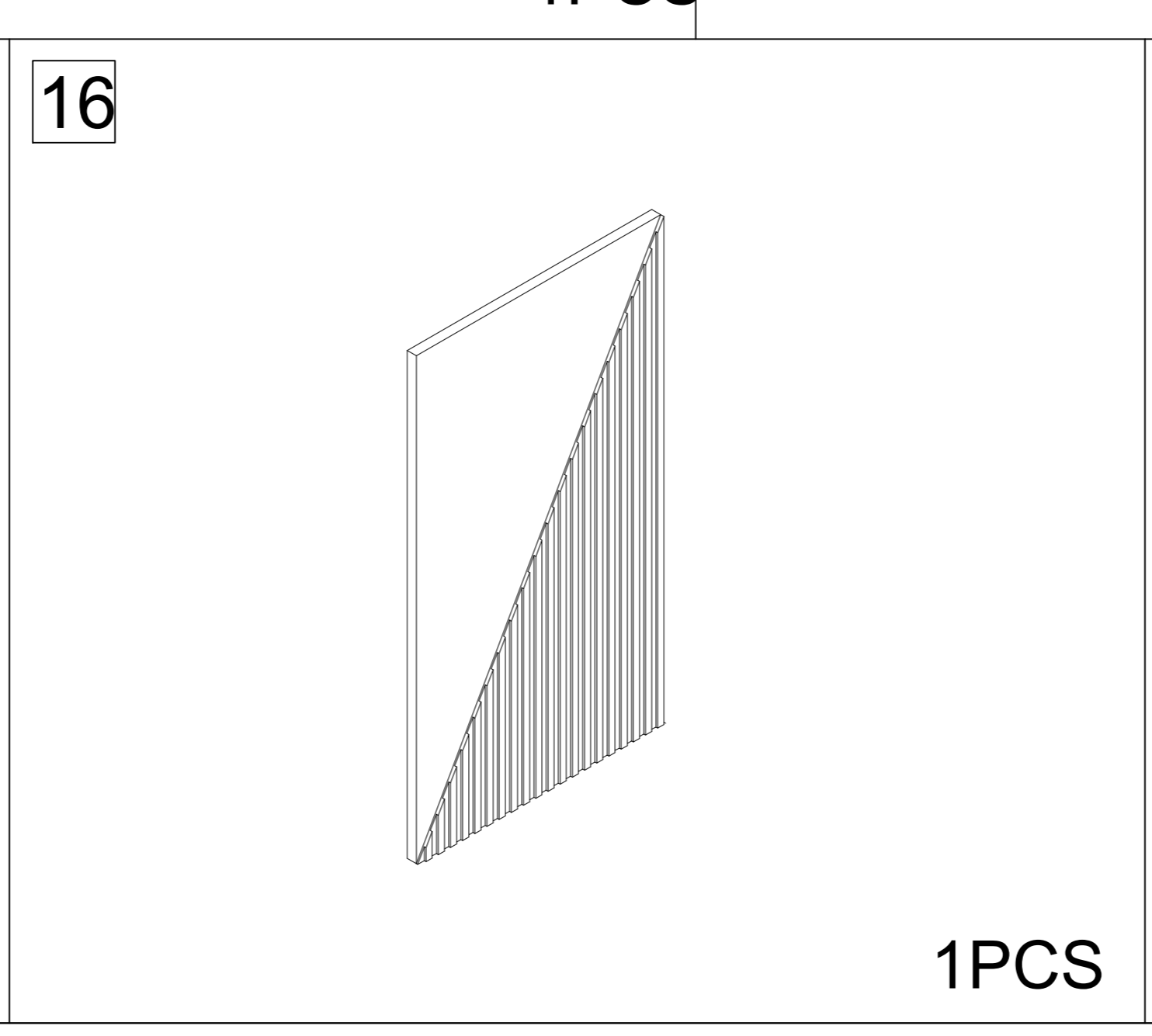
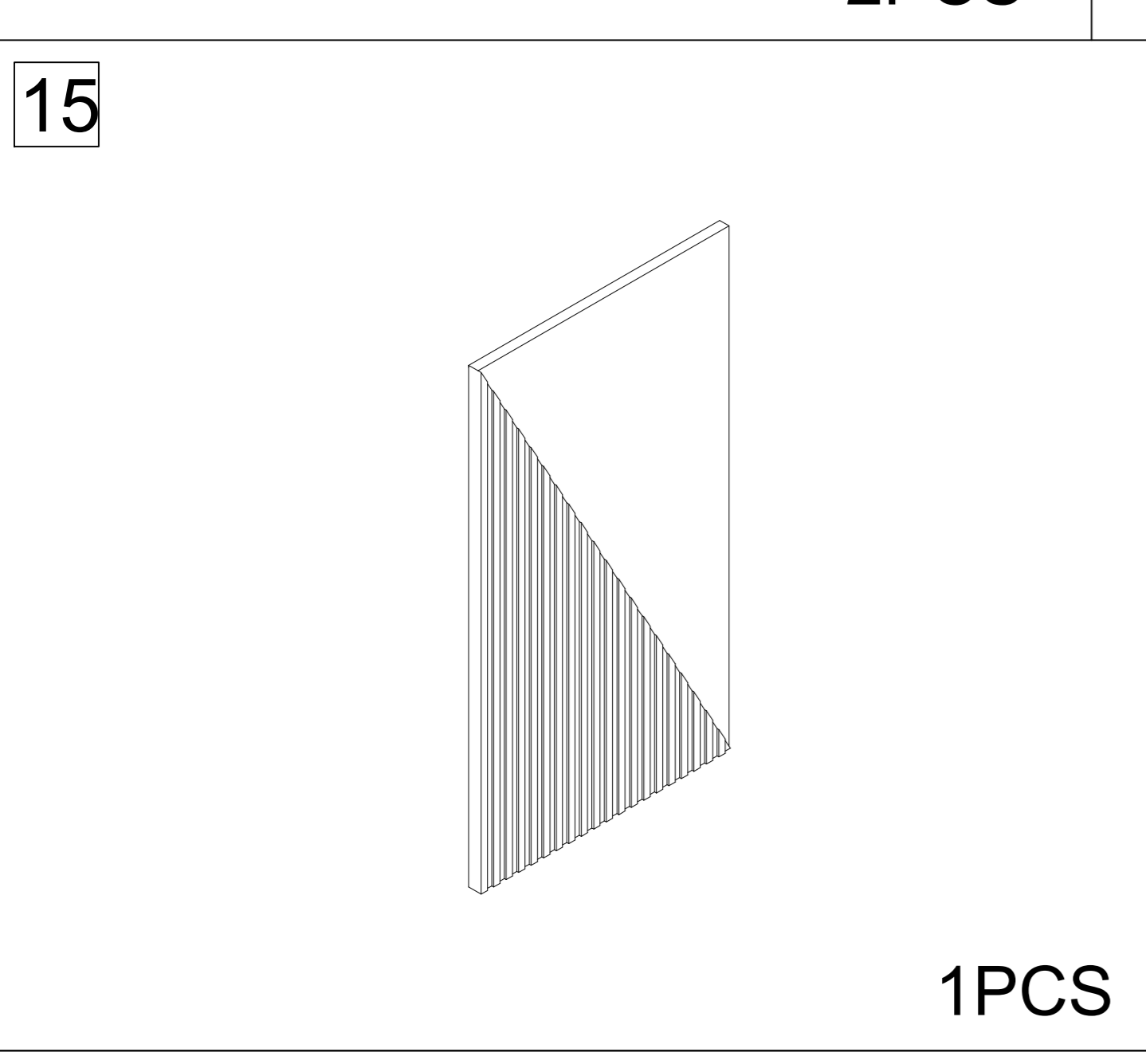
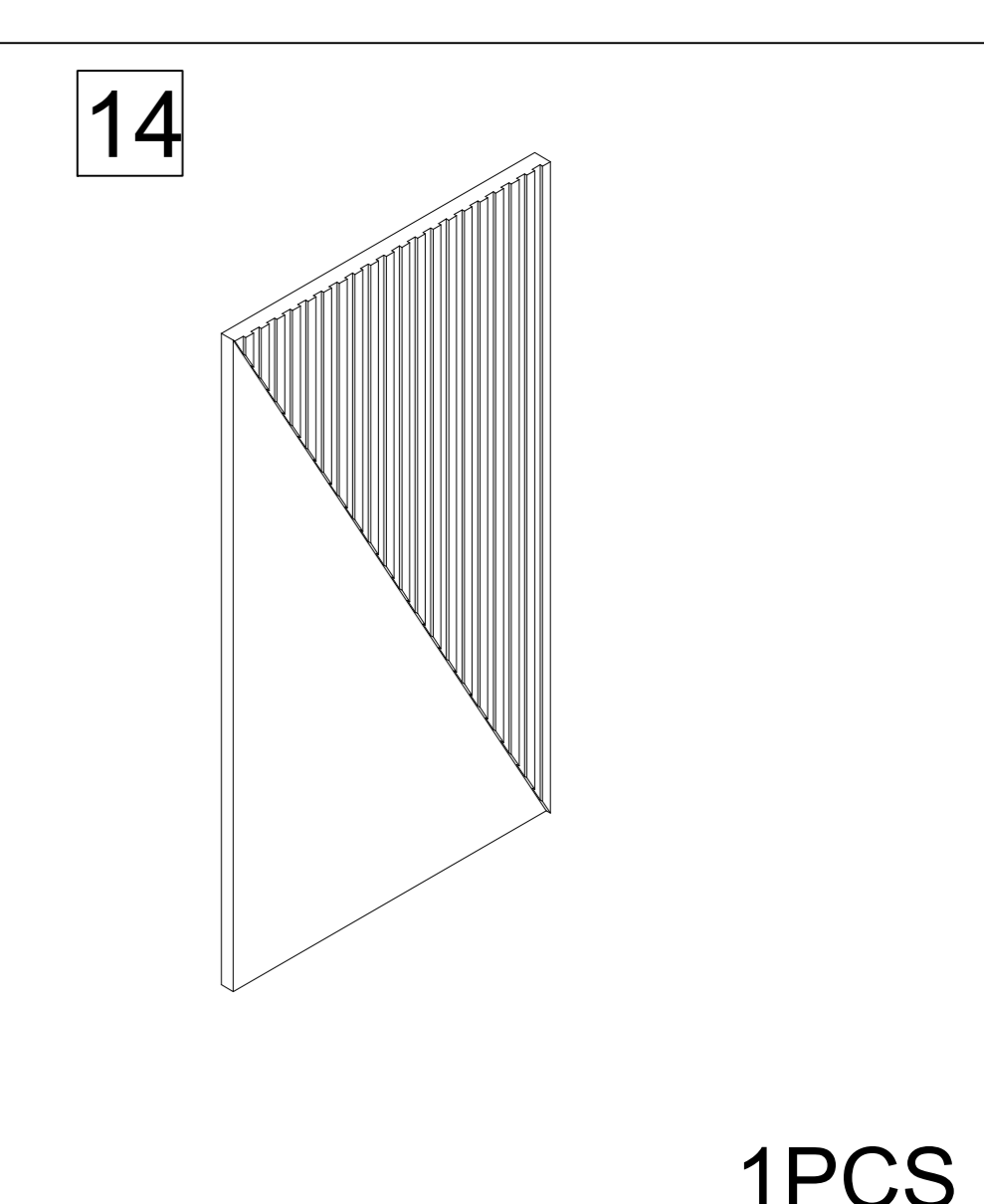
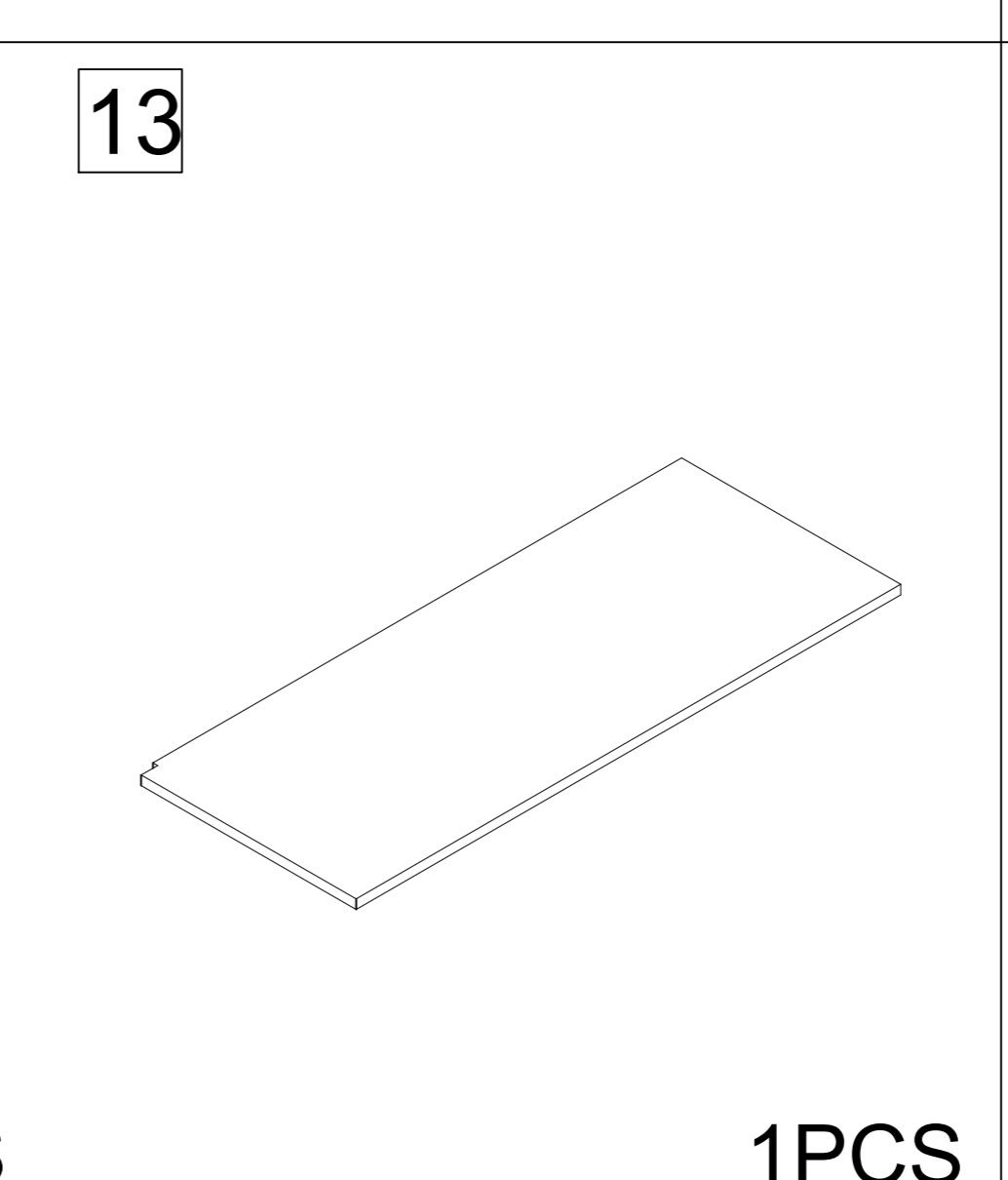
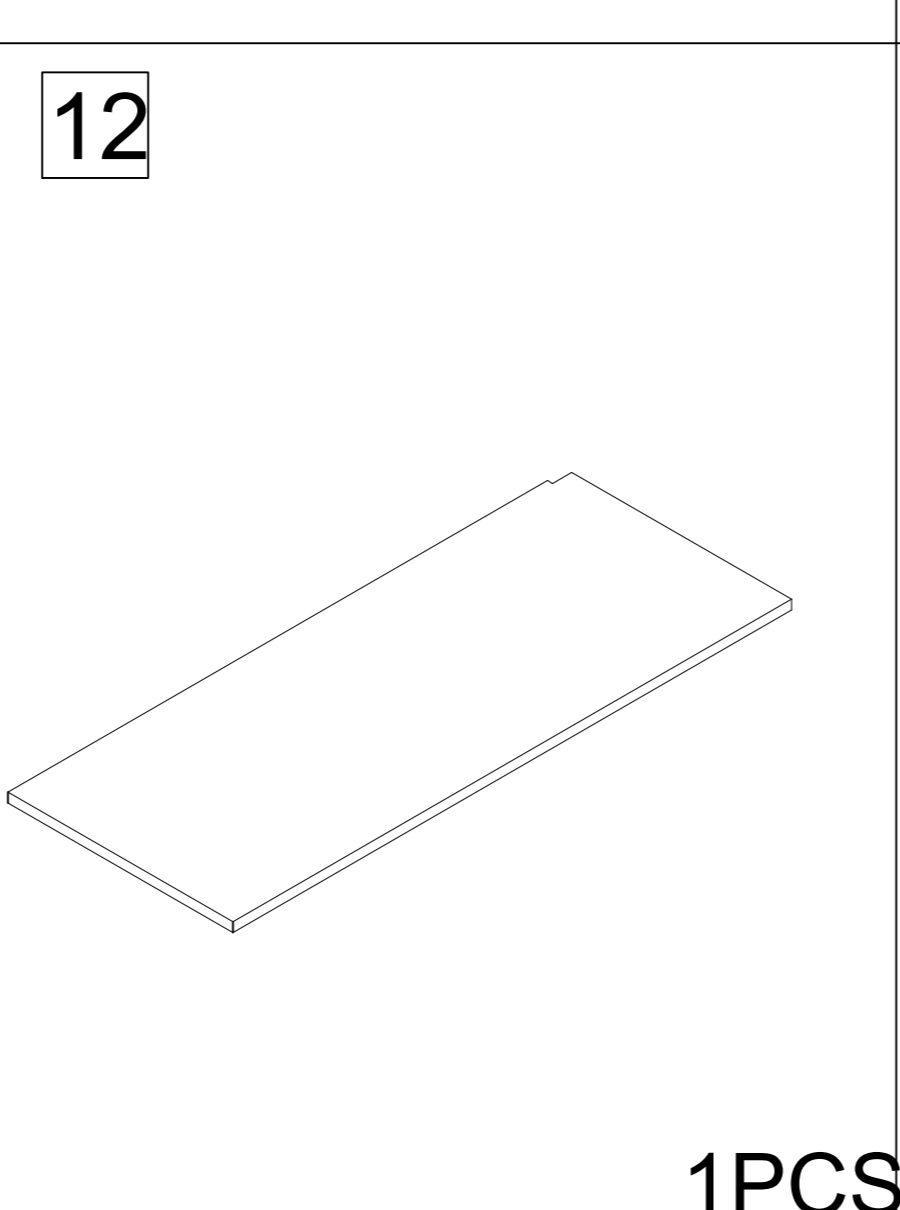
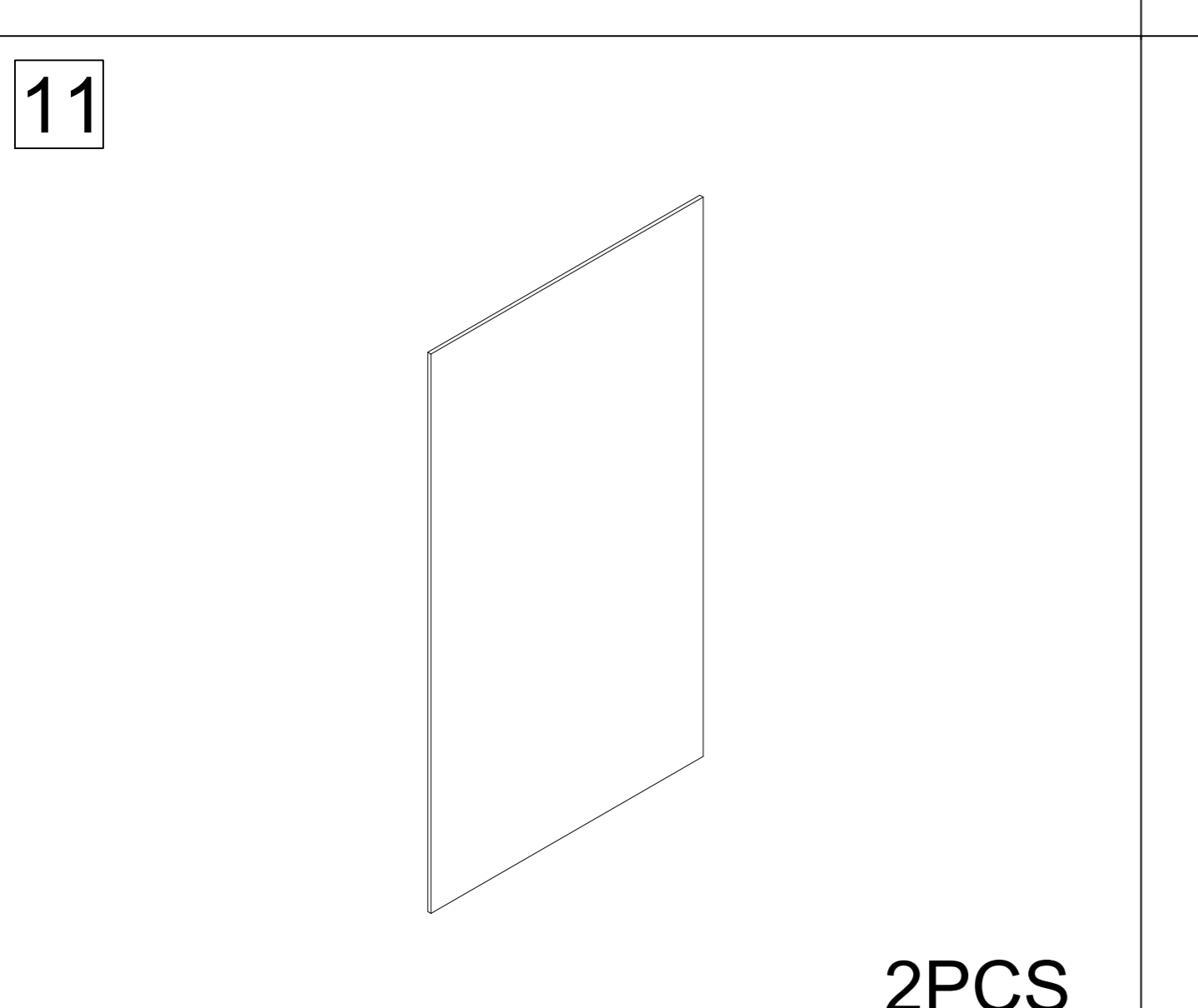
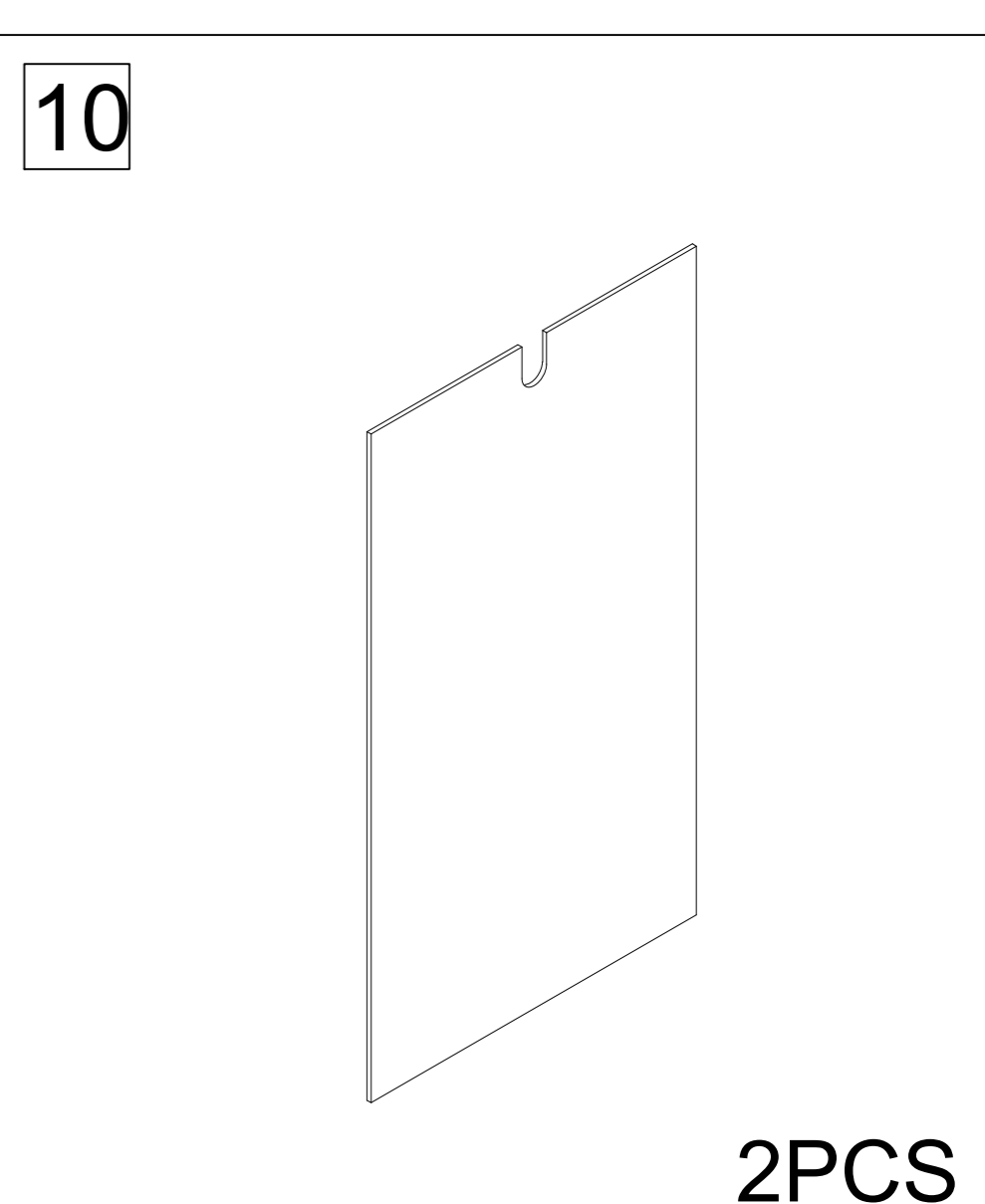
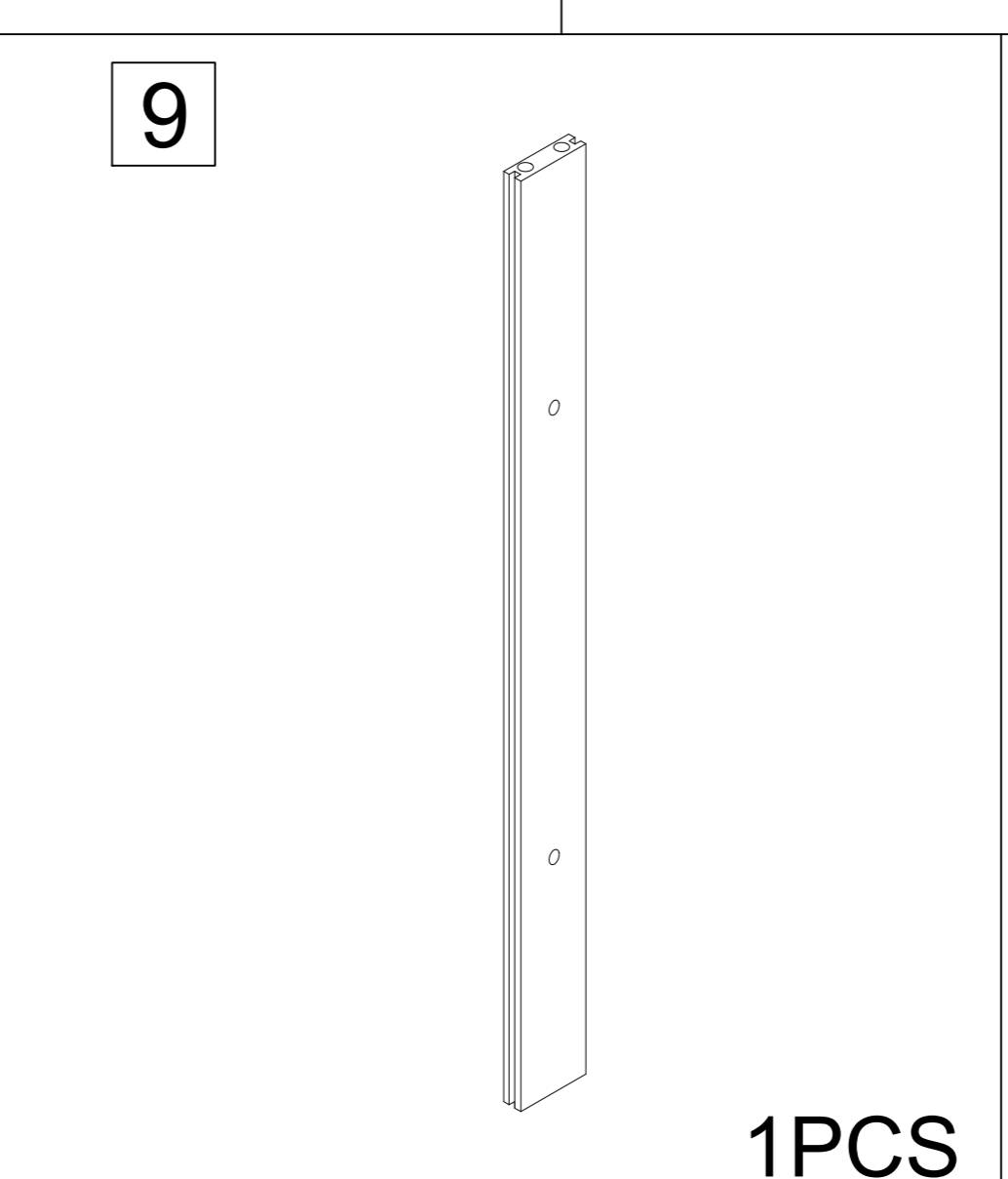
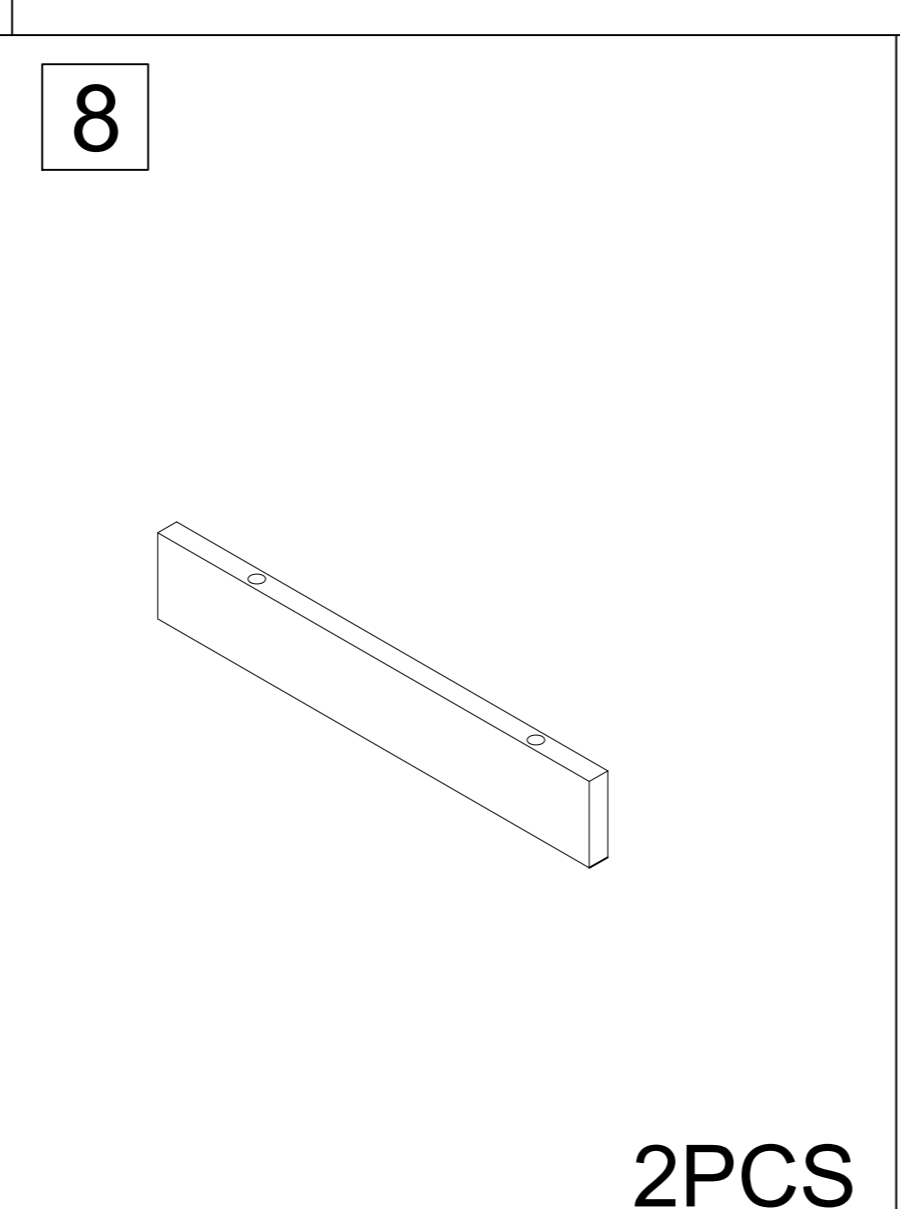
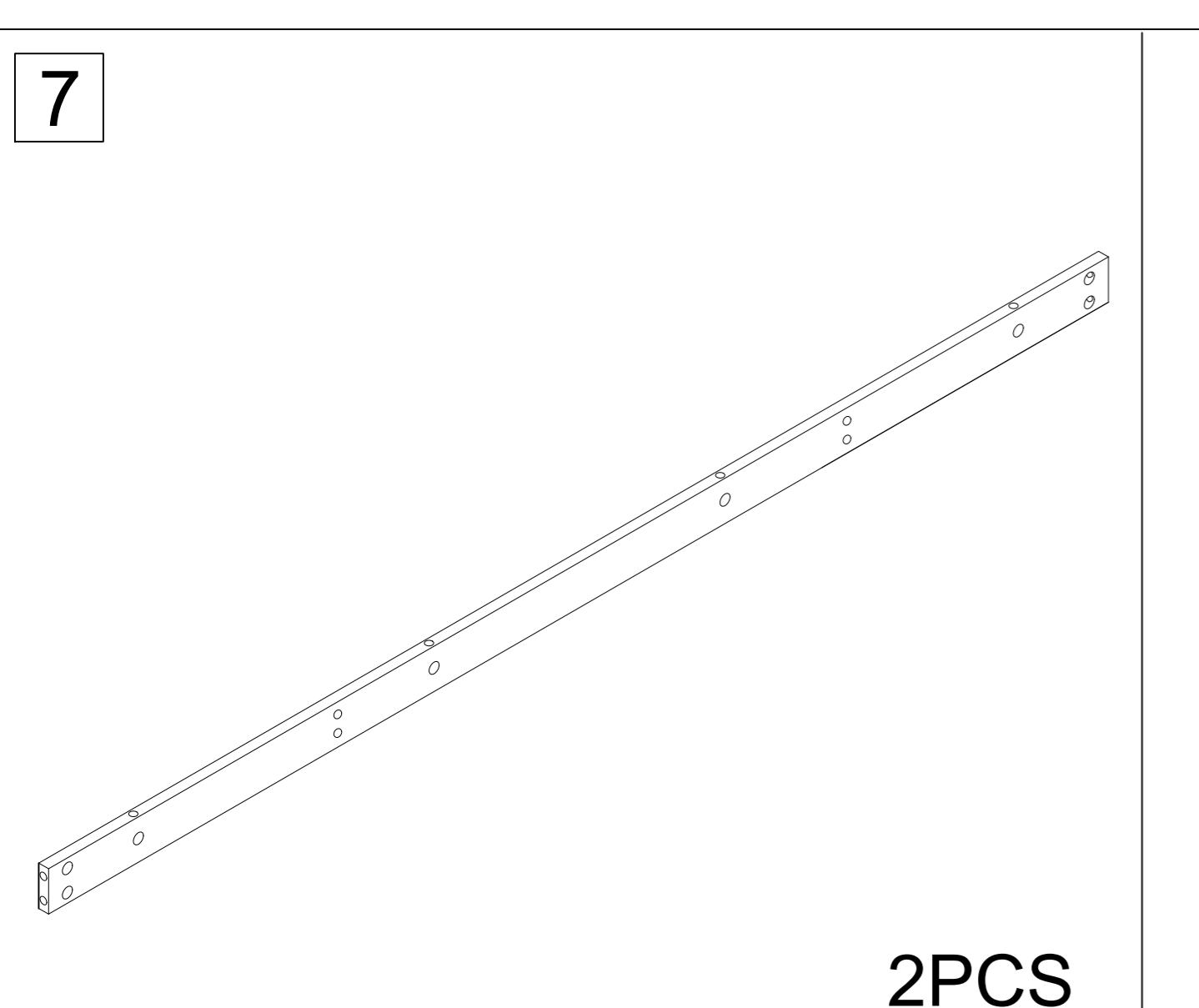
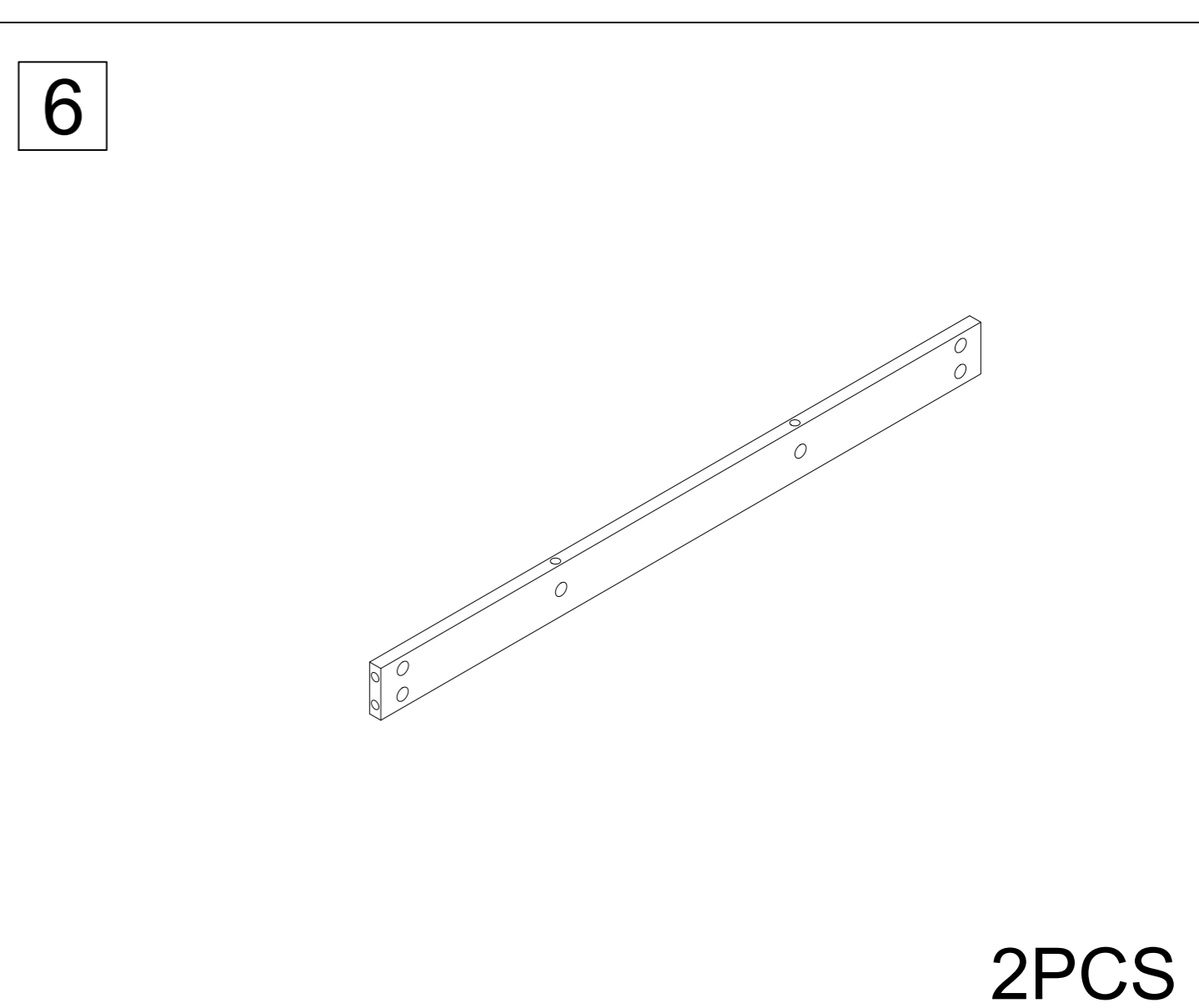
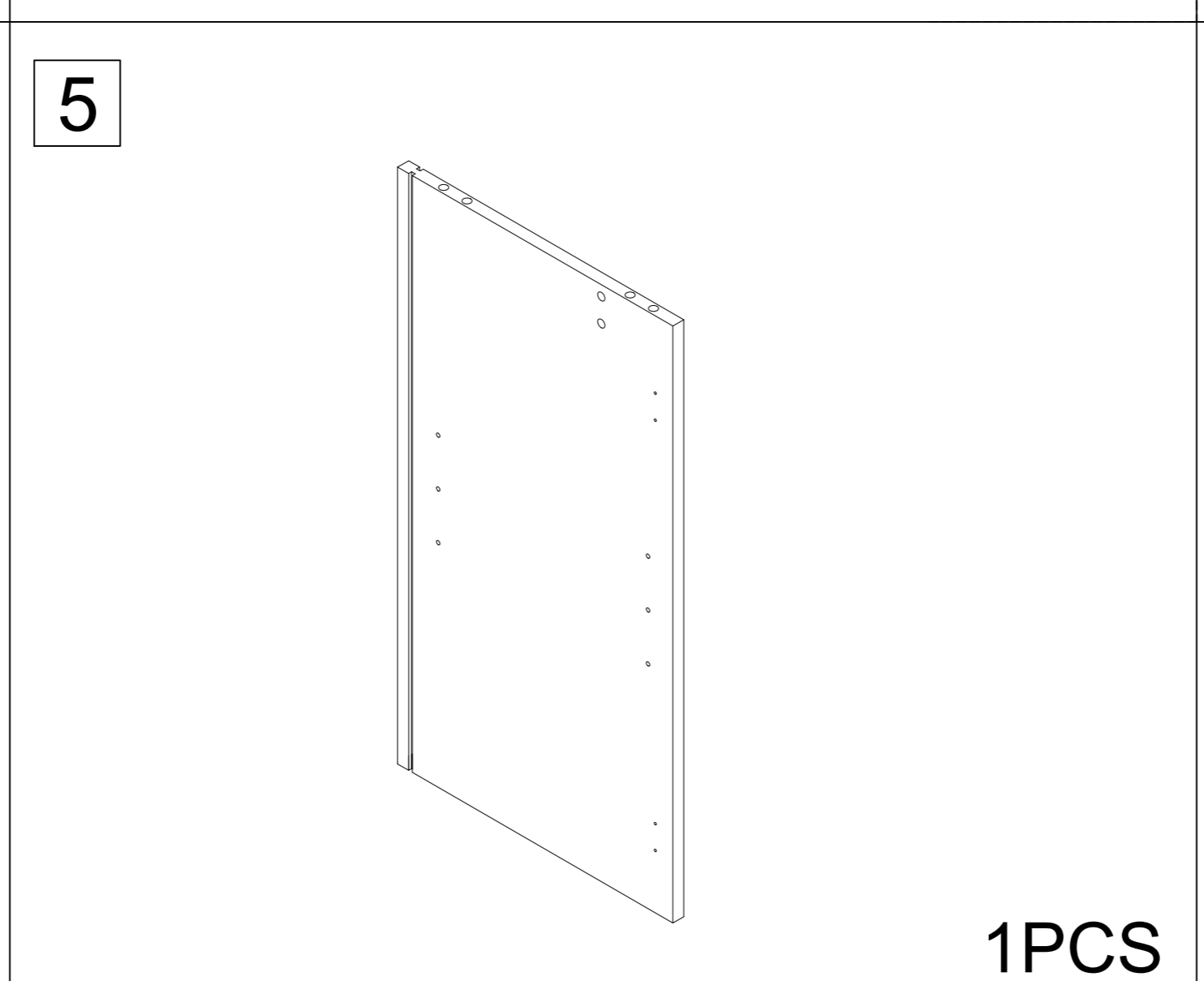
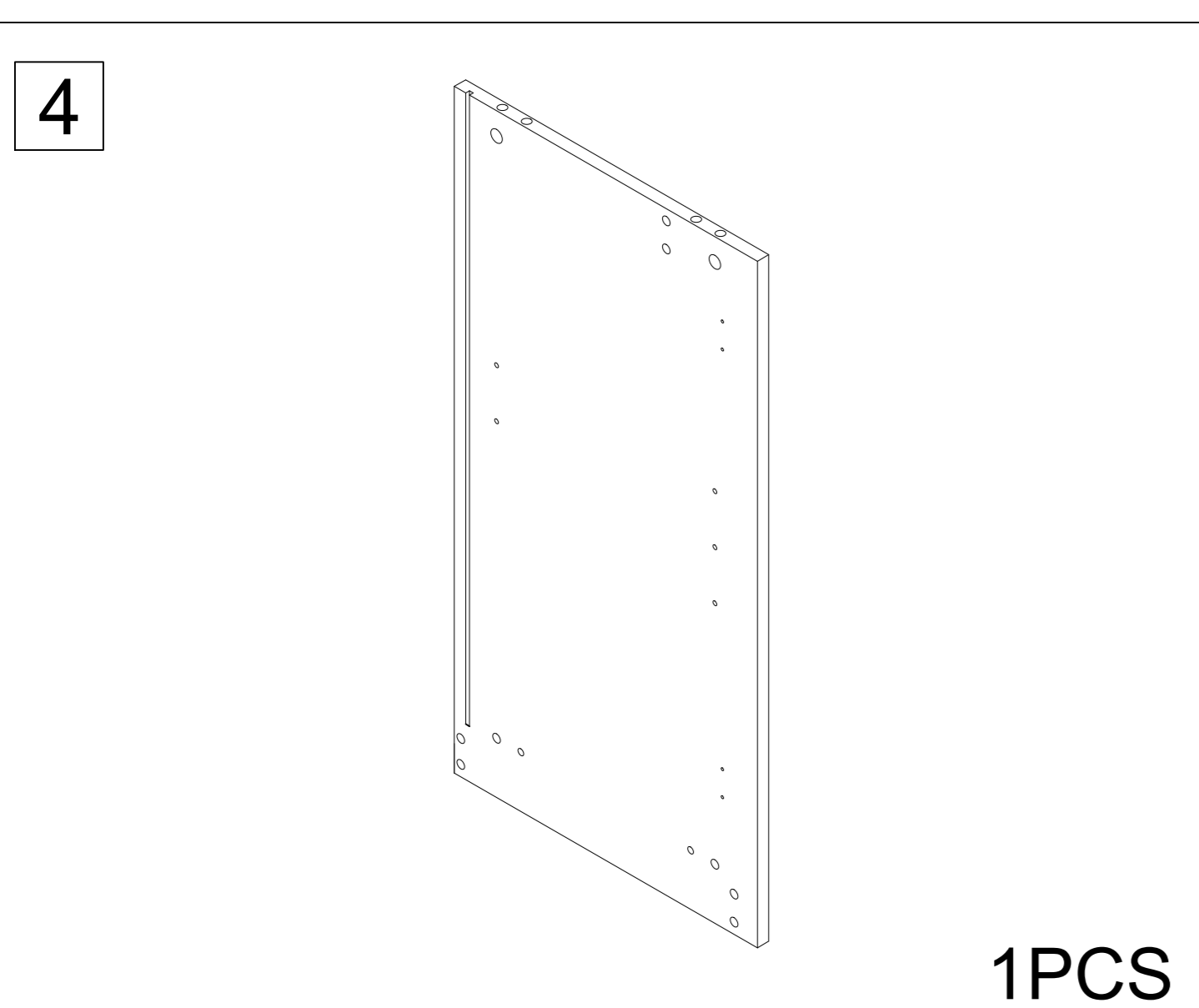
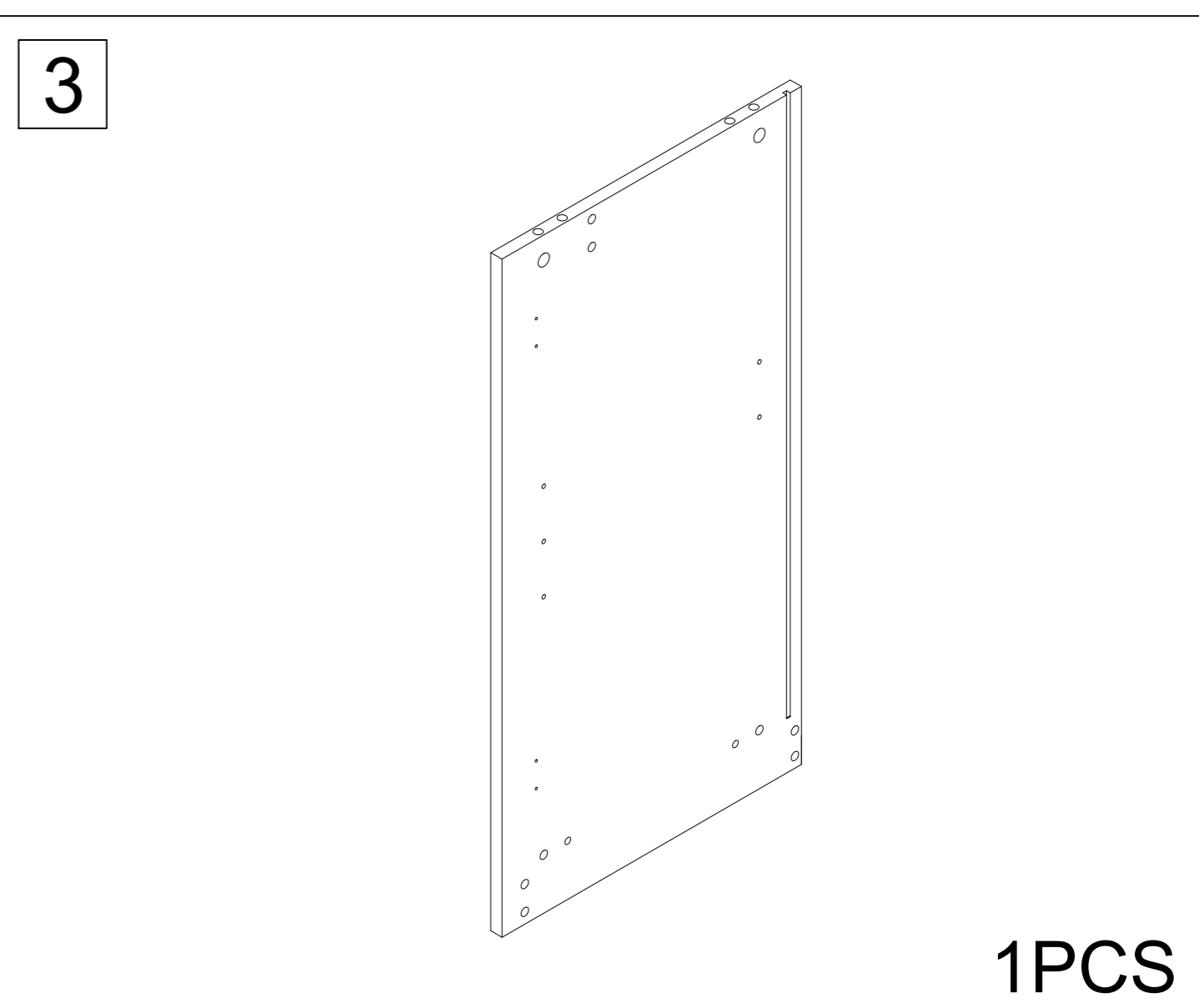
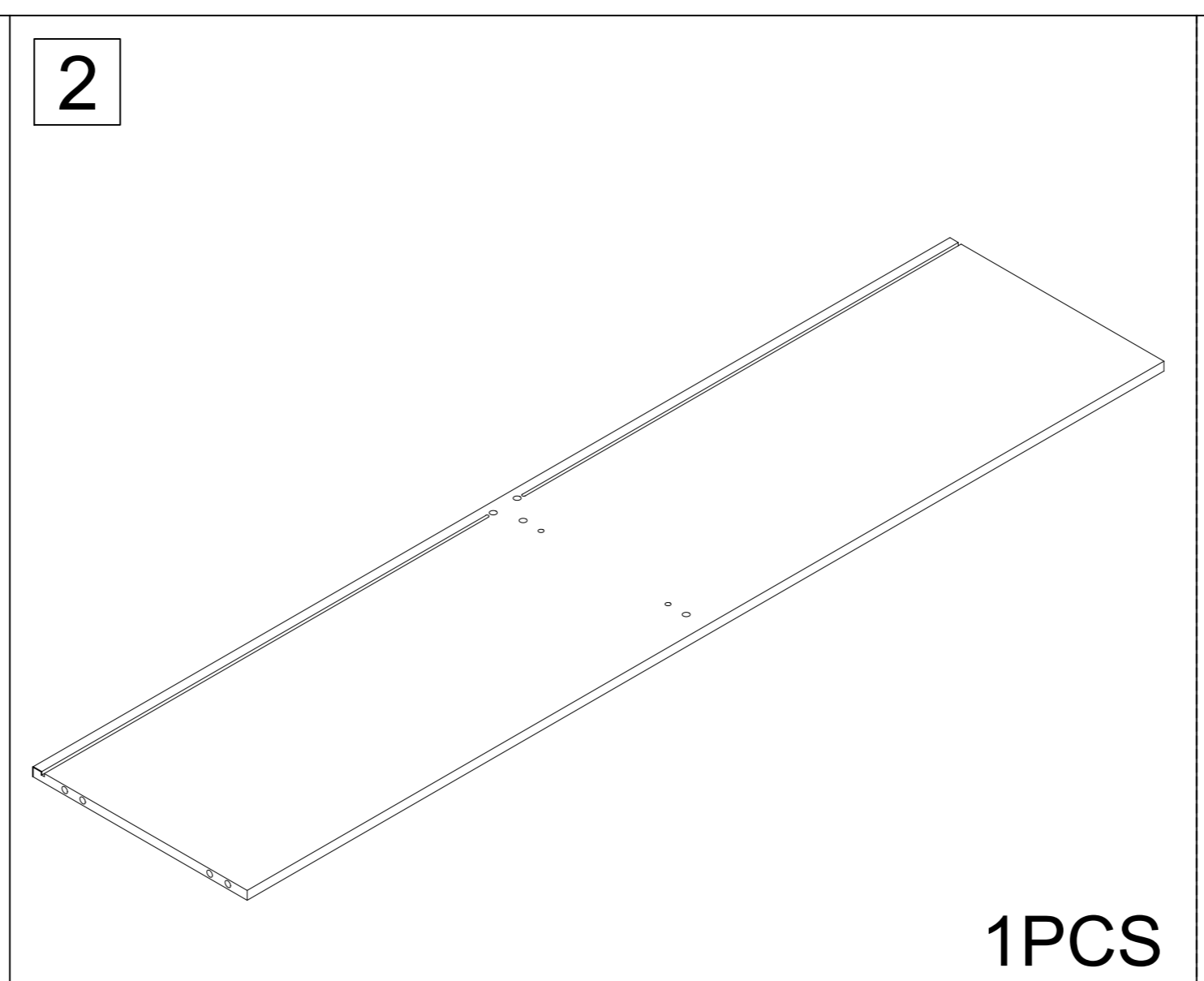
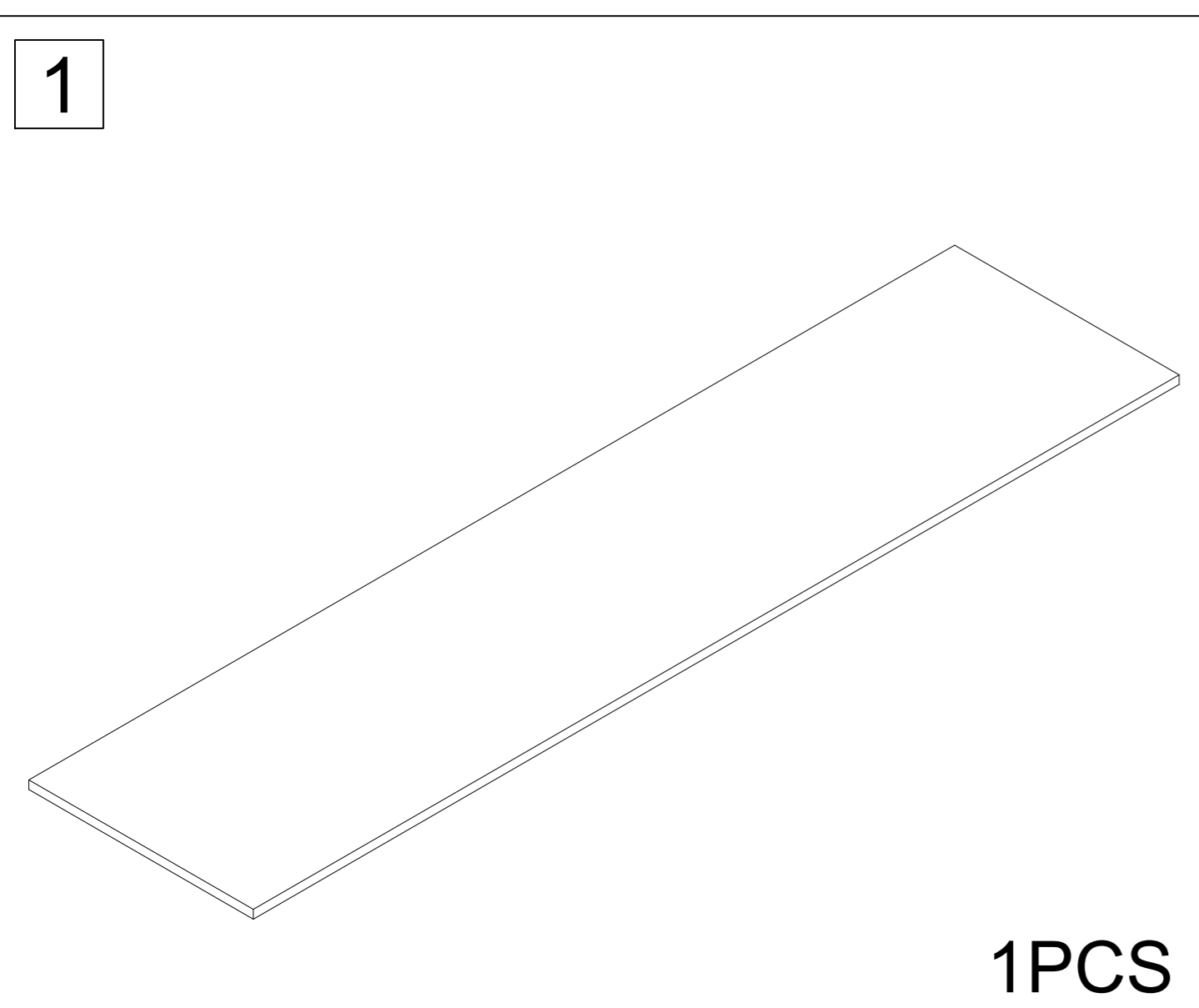


Thank you for choosing our products! To ensure a smooth and safe installation, please carefully read this manual and follow the instructions. For the video installation instructions, please refer to the product page.

- Before installation, please check the product list to make sure you have received all parts.
- During the installation, please operate carefully to avoid injury. Pay special attention to safety when carrying heavy objects or operating sharp tools.
- Please follow the steps in order. Do not skip any steps.
- If you encounter any problems during the installation process, please stop the operation immediately and contact our customer service team for help.
- Periodically check to ensure that all connectors (bolts, screws, etc.) are tight.

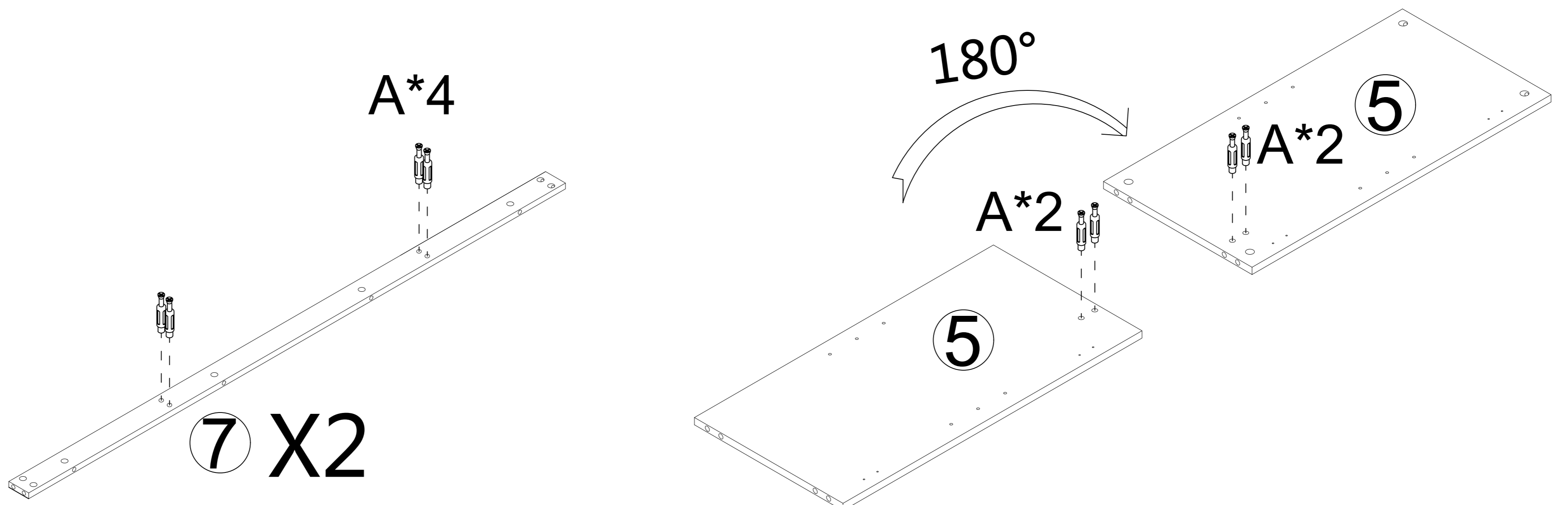
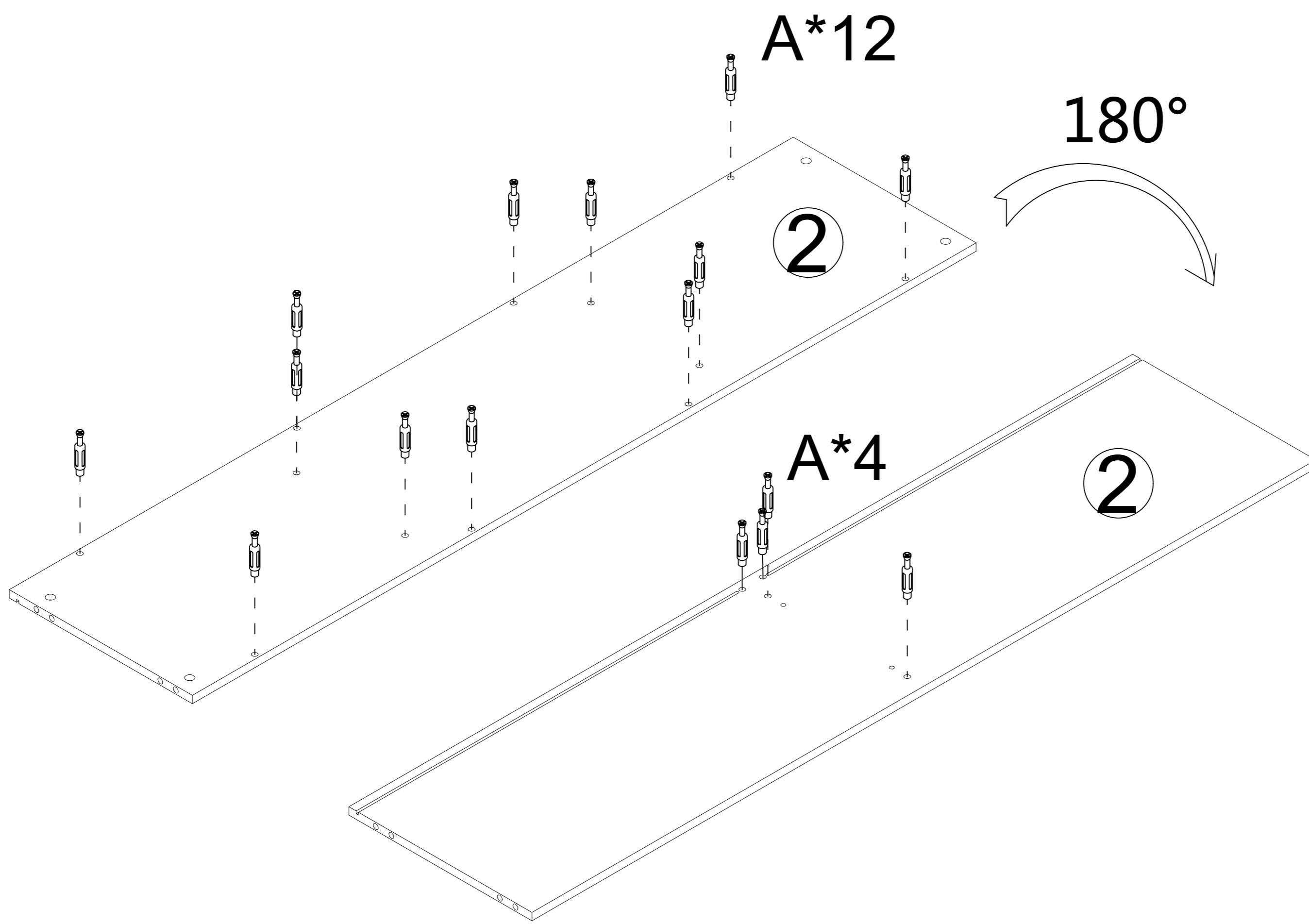
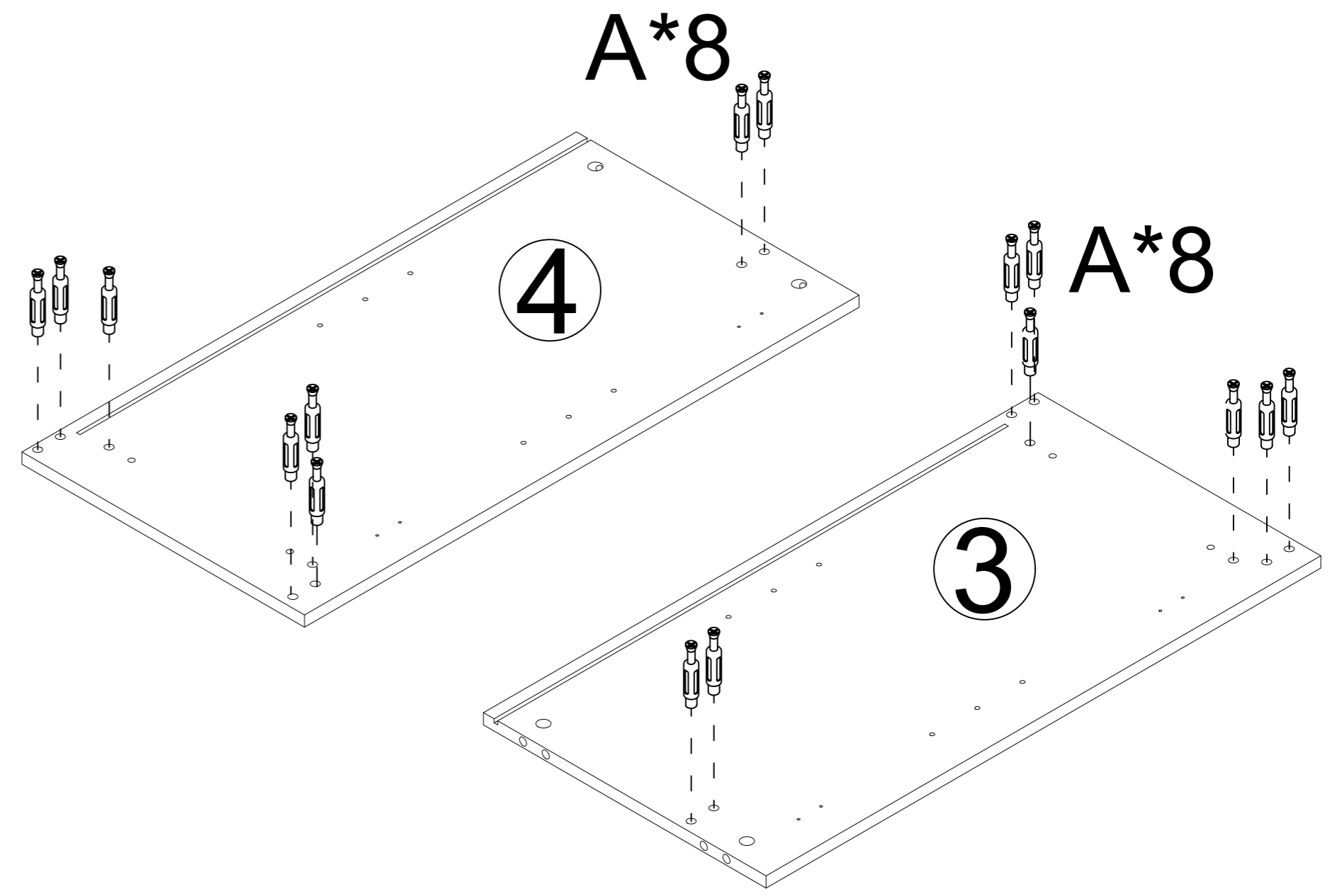
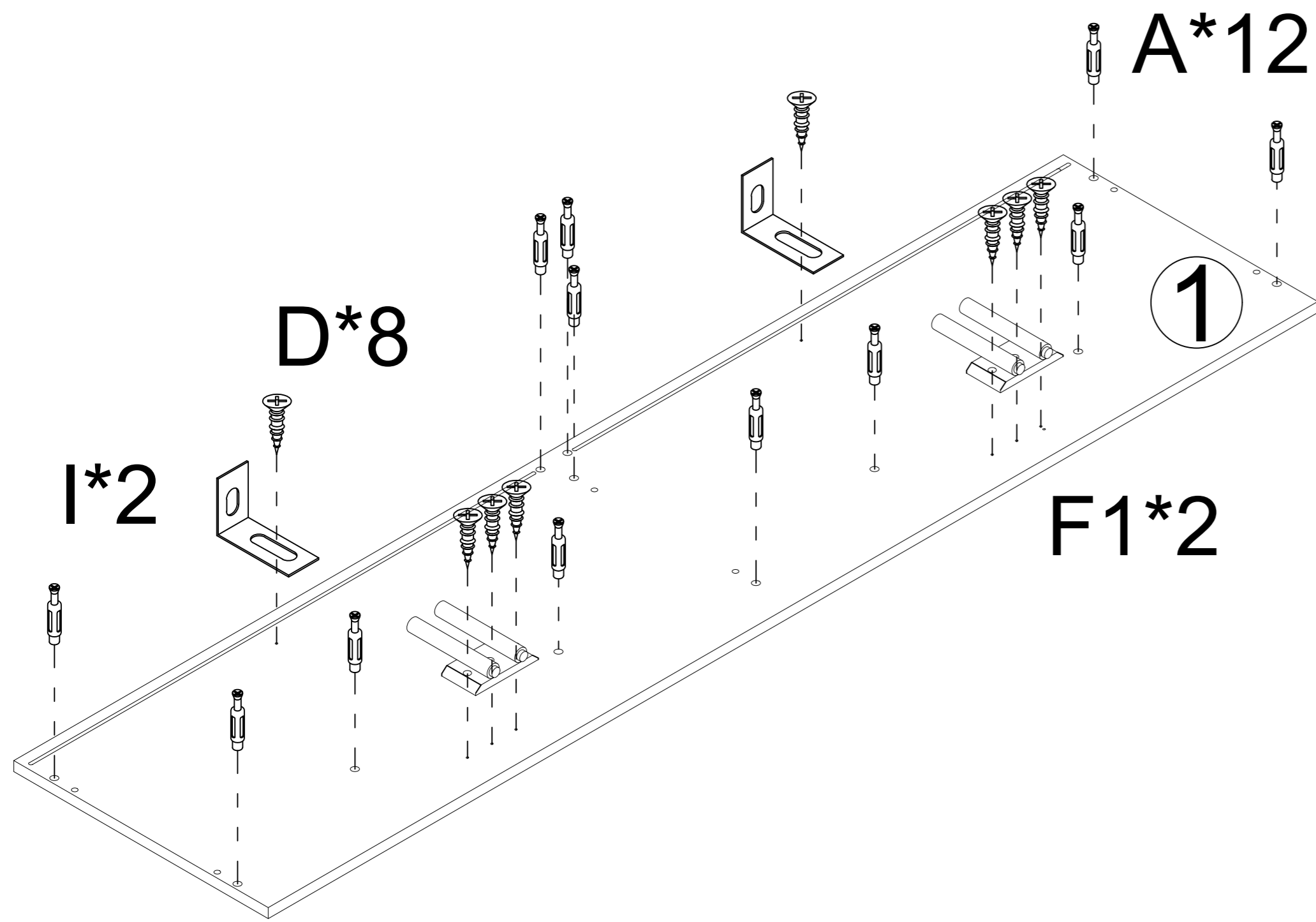
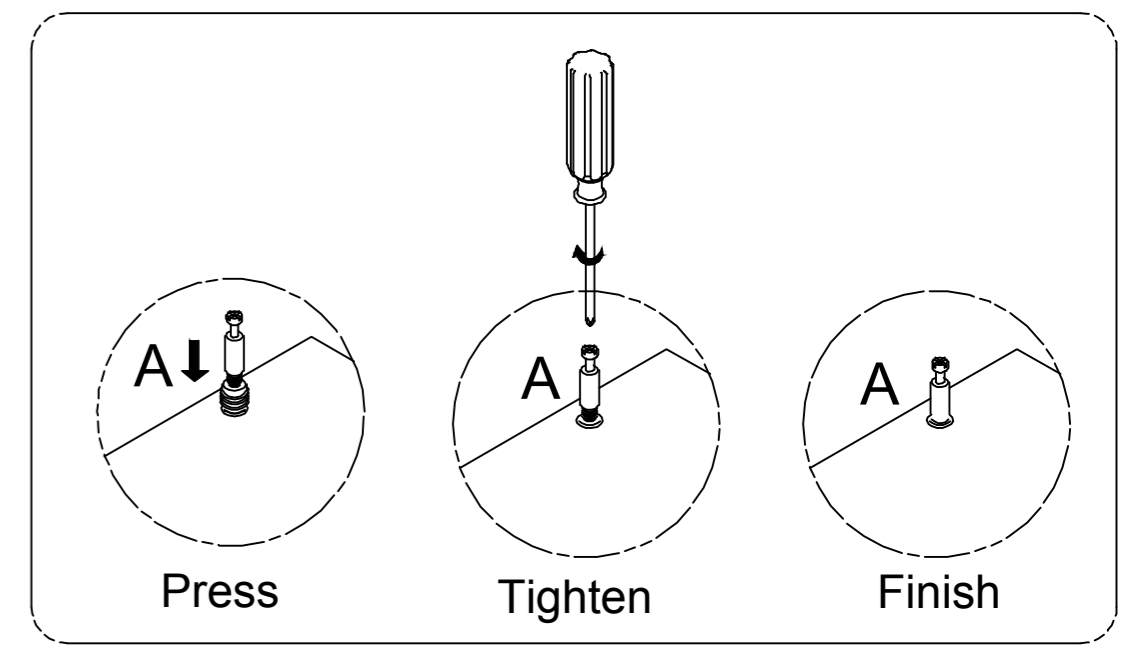
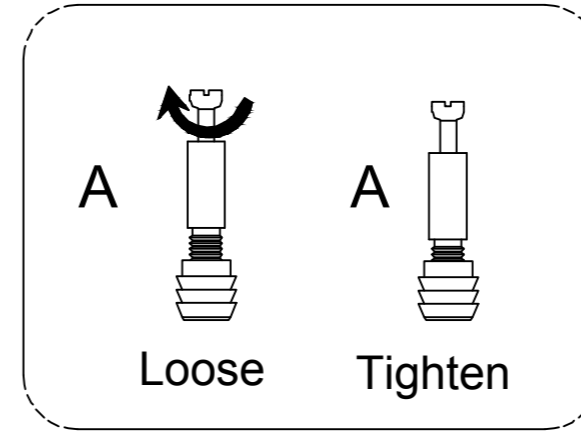
A 56+3  Ø6*35mm	B 56+3  Ø15*11.5mm	C 12+1  Ø8*30mm	D 72+3  M3.5*14mm	E 2  Ø6*38mm	F 2  F1 F2	G 4 
H 4 	I 2 	J 2 	K 16 	L 8 	M 2  708mm	N 8+1 





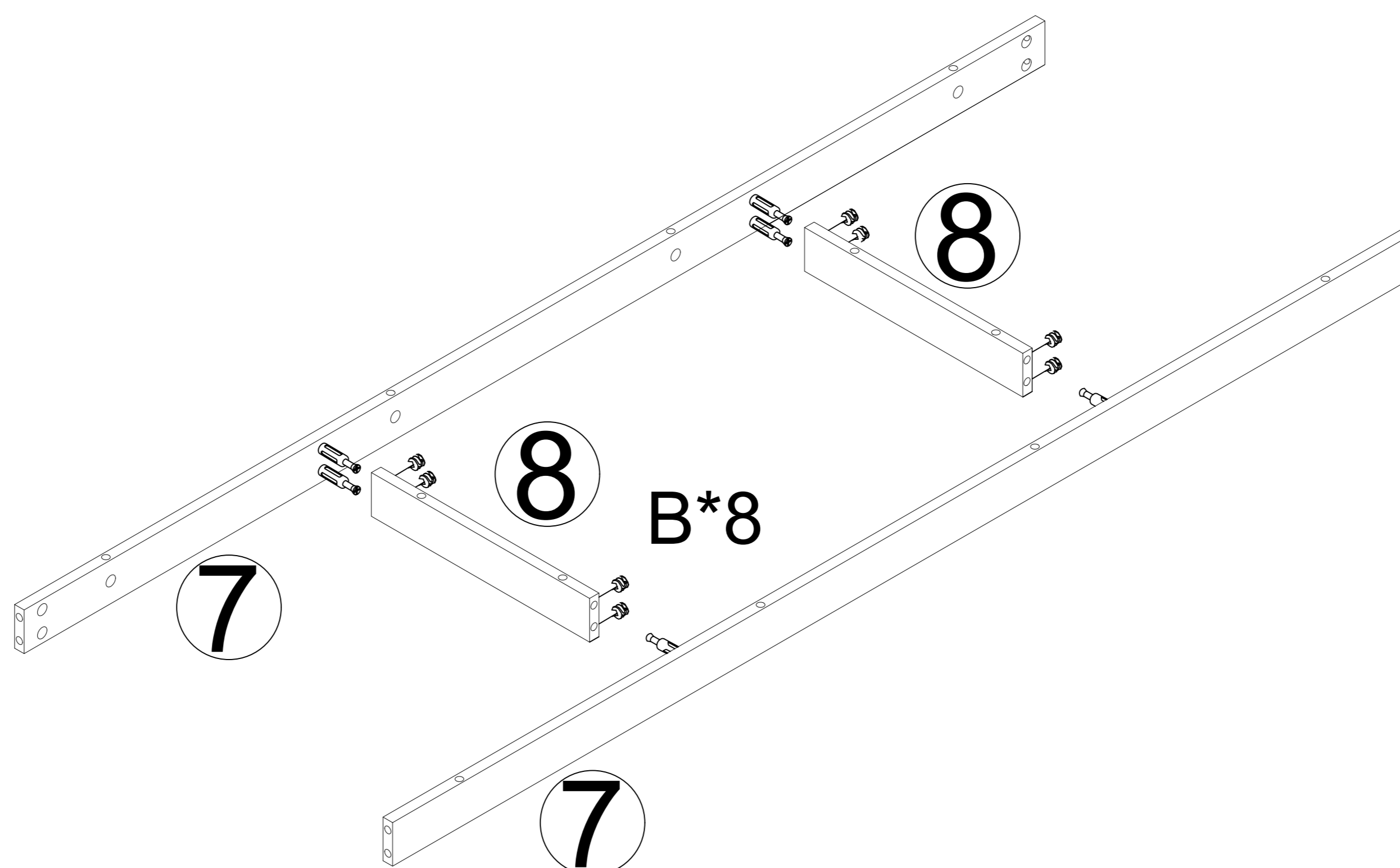
STEP 1


Make sure the screws are loose before pressing



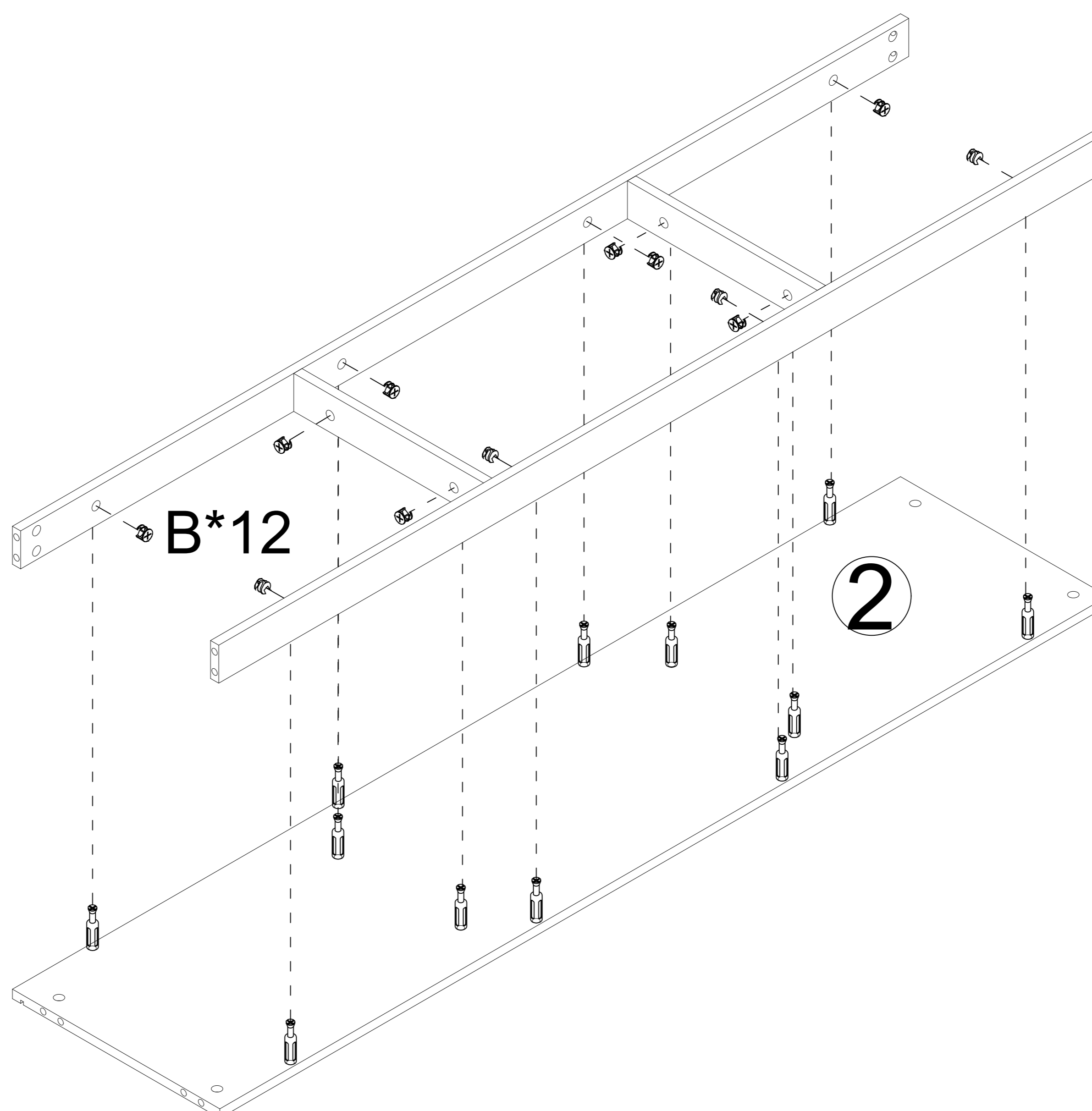
A 56PCS	D 8PCS	F1 2PCS	I 2PCS
Ø6*35mm	M3.5*14mm		


STEP 2



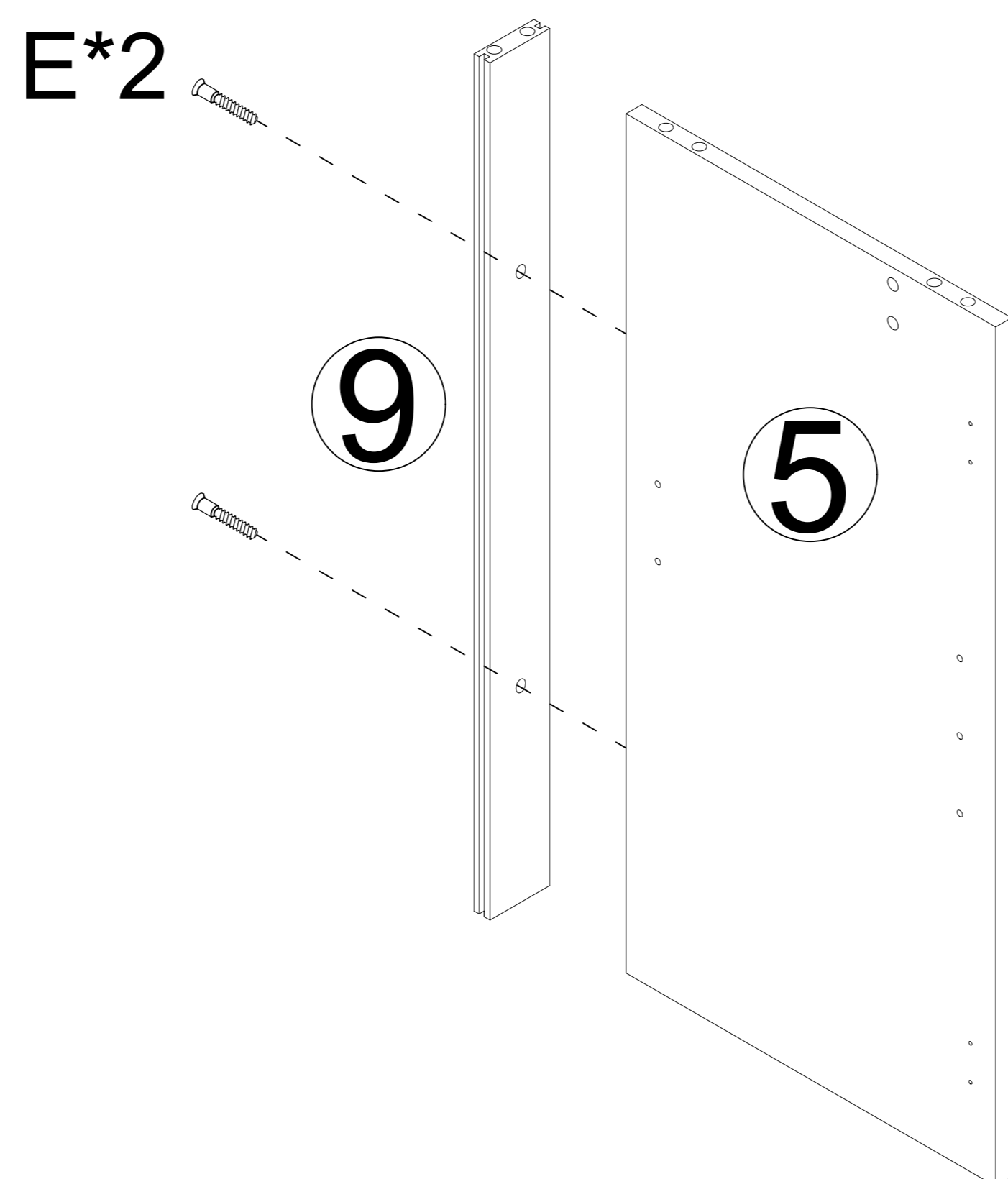
B	8PCS
	
Ø 15*11.5mm	


STEP 3



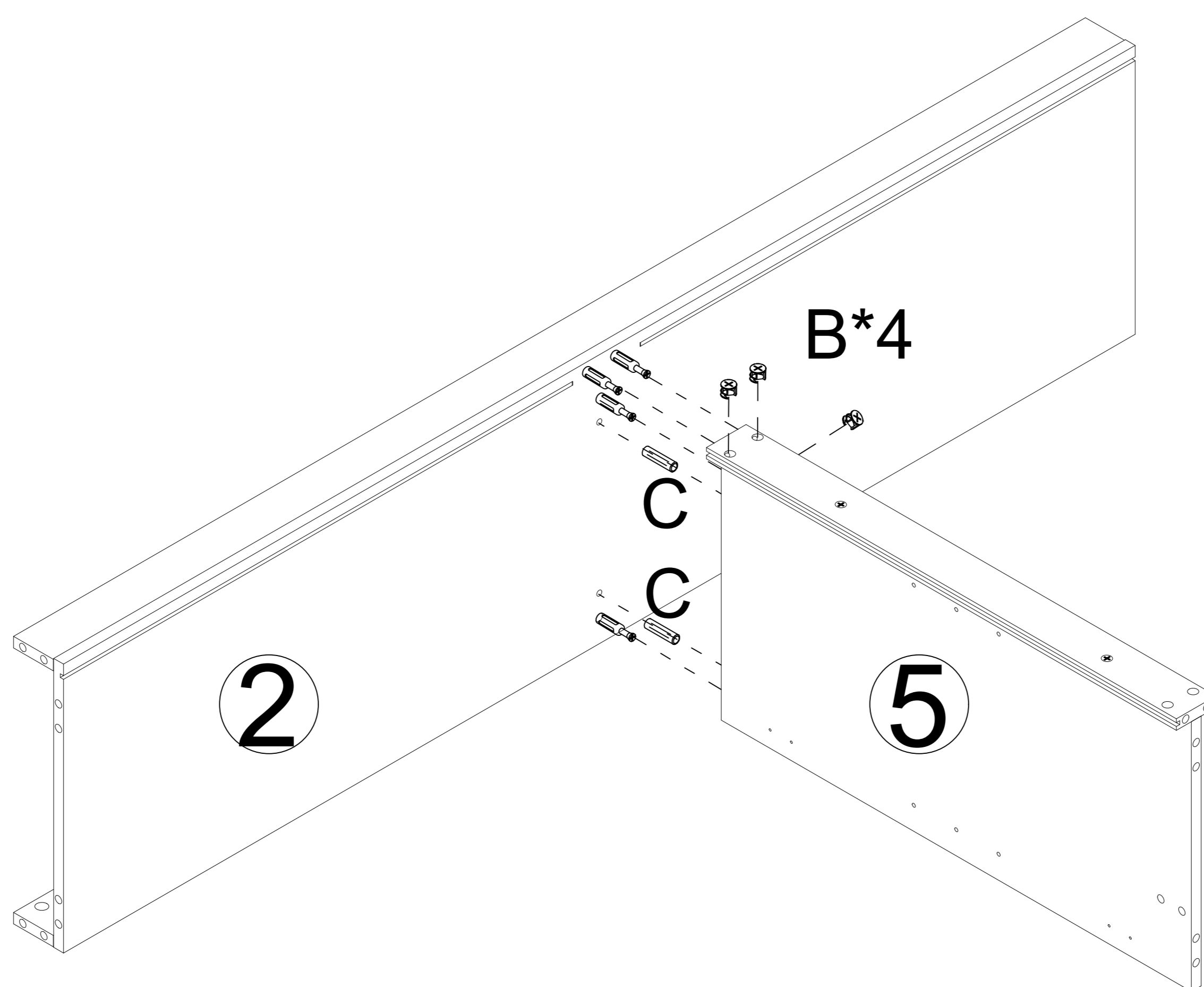
B	12PCS
	
Ø 15*11.5mm	


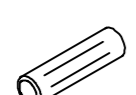
STEP 4



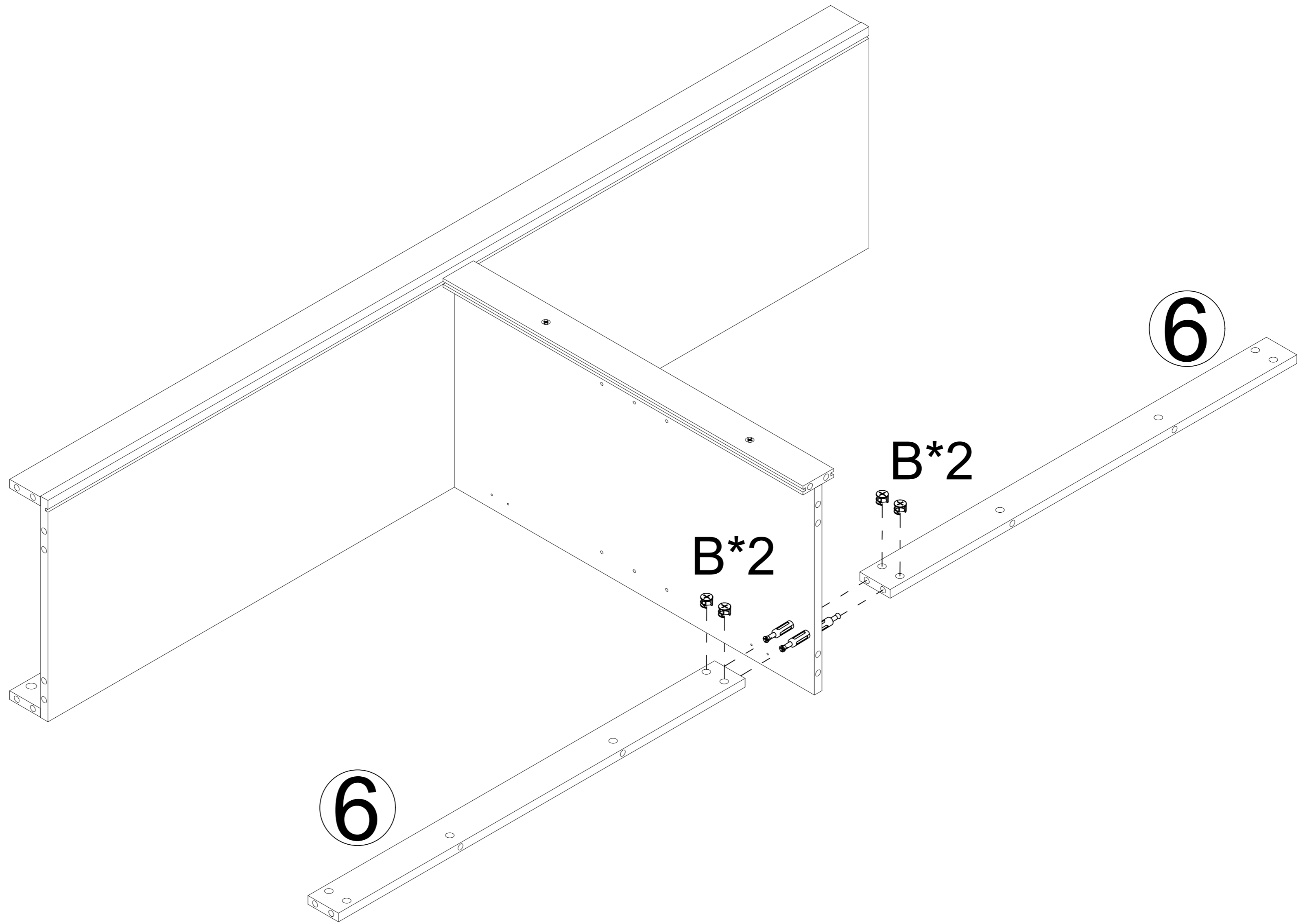
E	2PCS
	
Ø6*38mm	

STEP 5



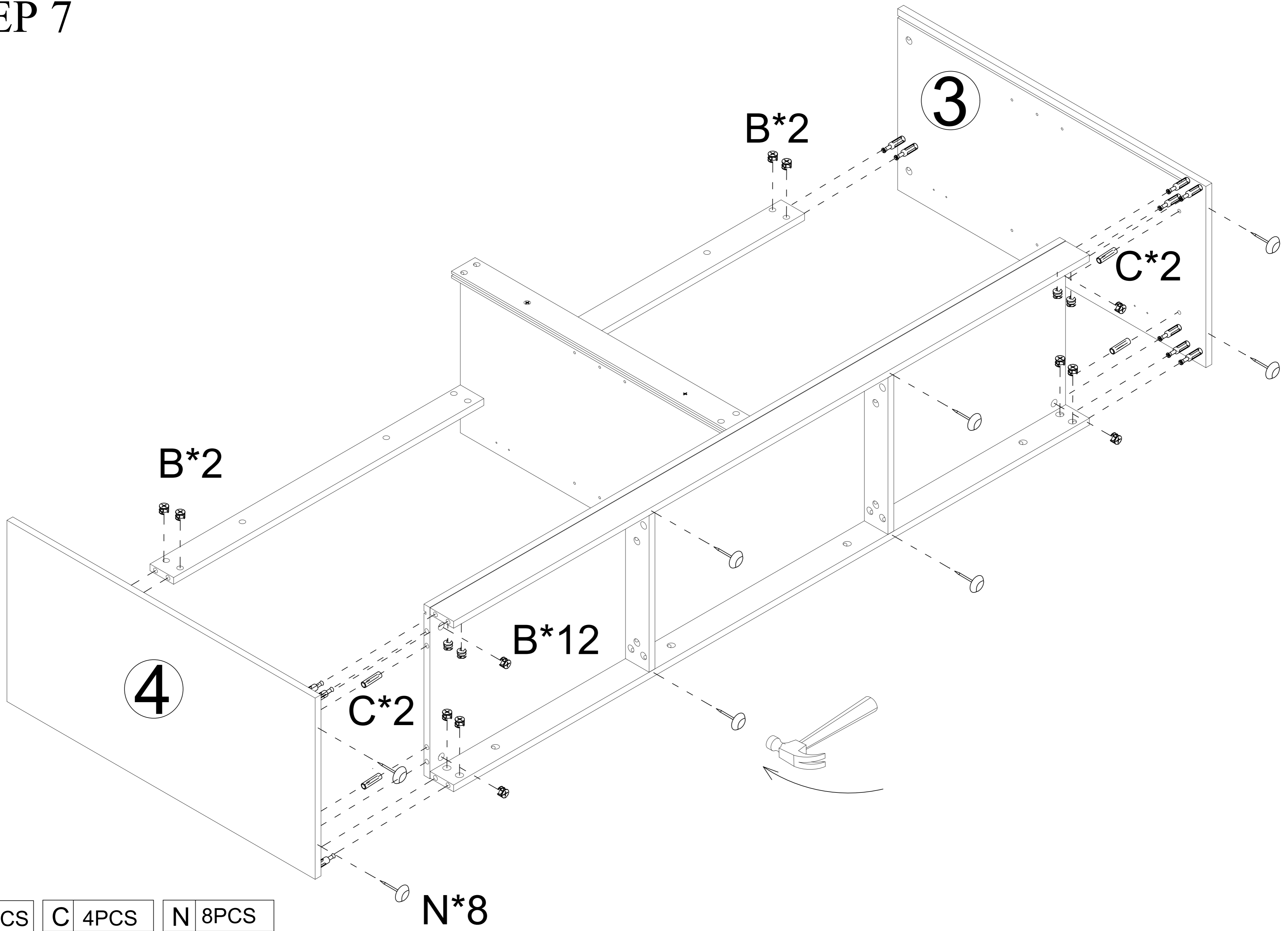
B	4PCS	C	2PCS
			
Ø 15*11.5mm		Ø8*30mm	

STEP 6



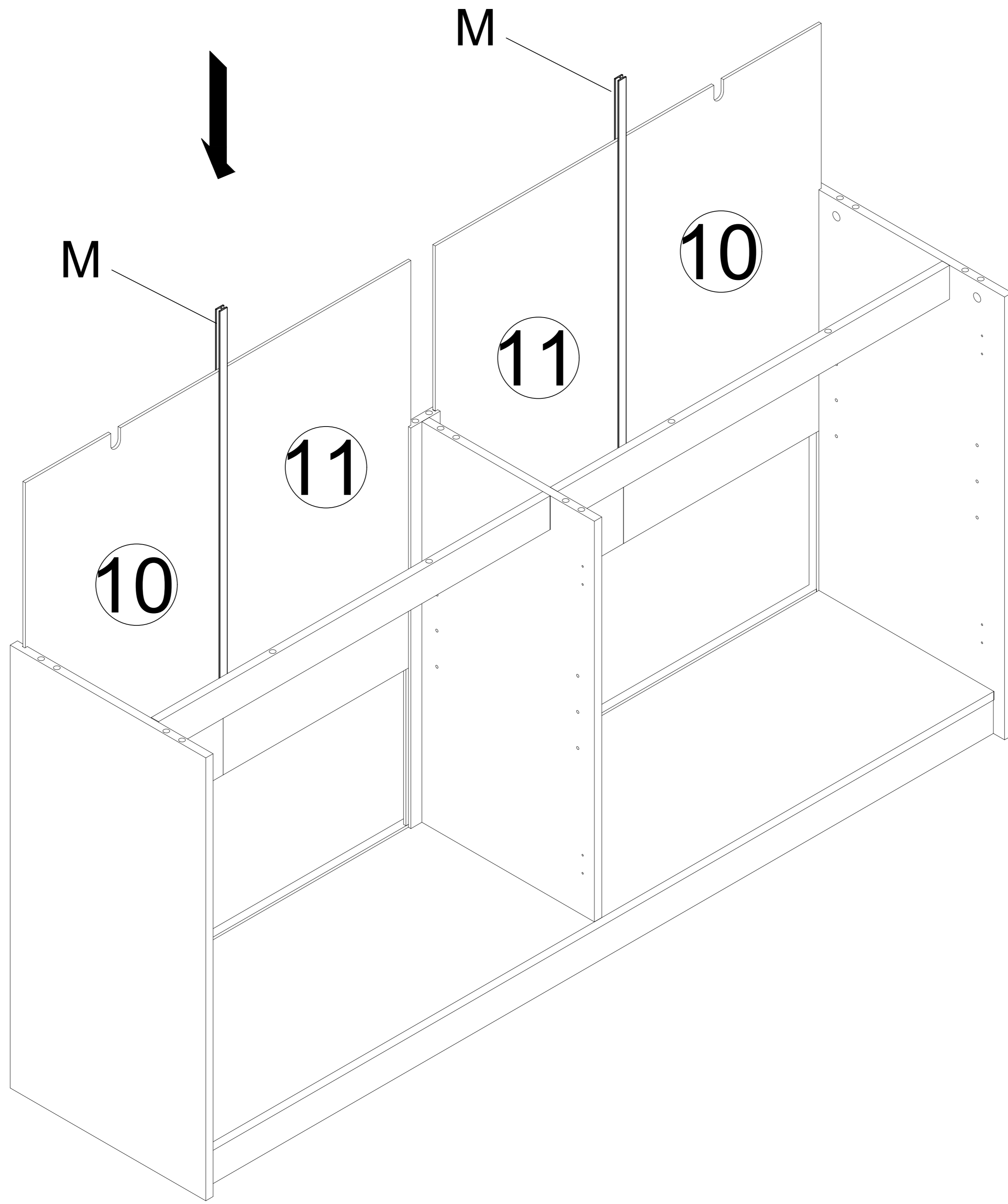
B	4PCS
Ø 15*11.5mm	

STEP 7

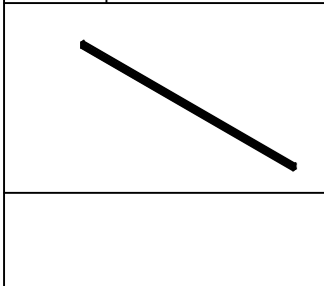


B	16PCS	C	4PCS	N	8PCS
Ø 15*11.5mm		Ø8*30mm			

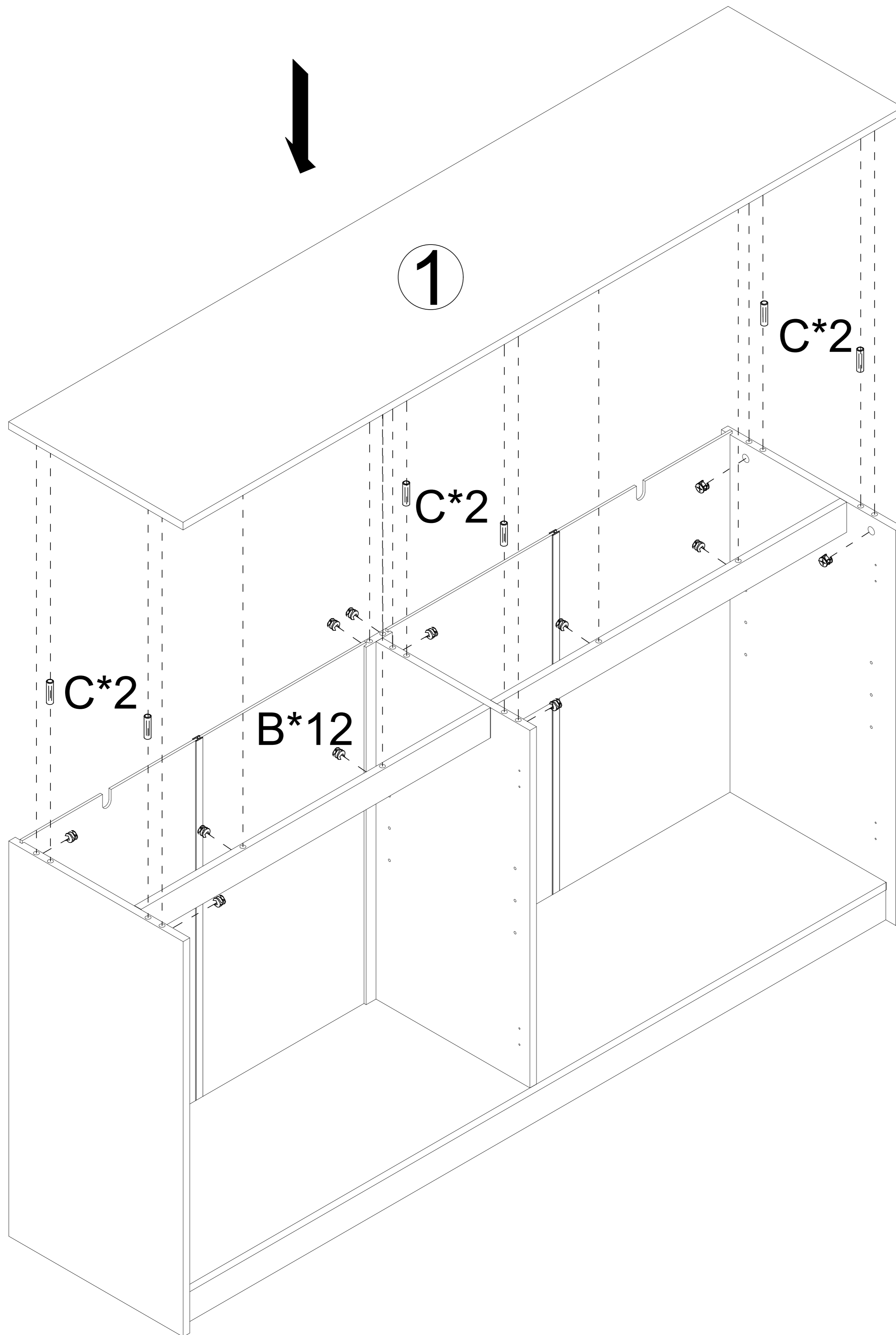
STEP 8


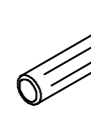


M 2PCS

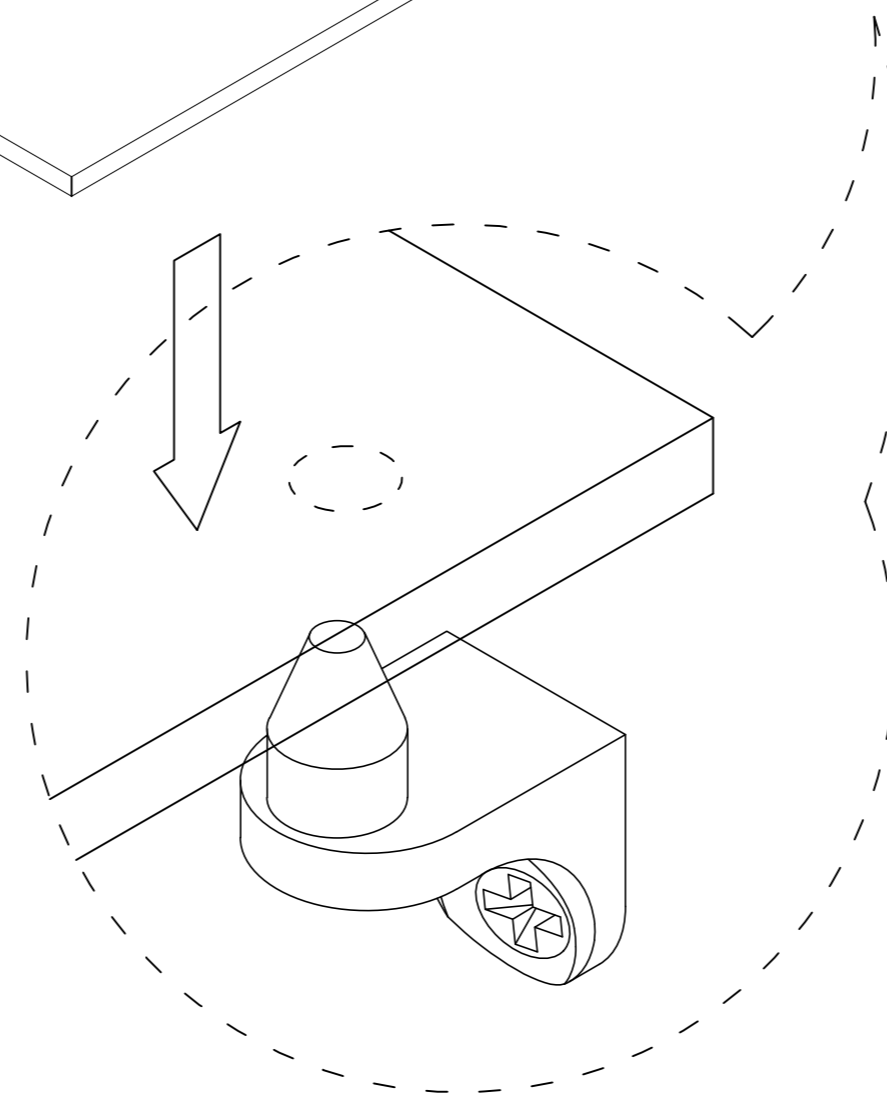
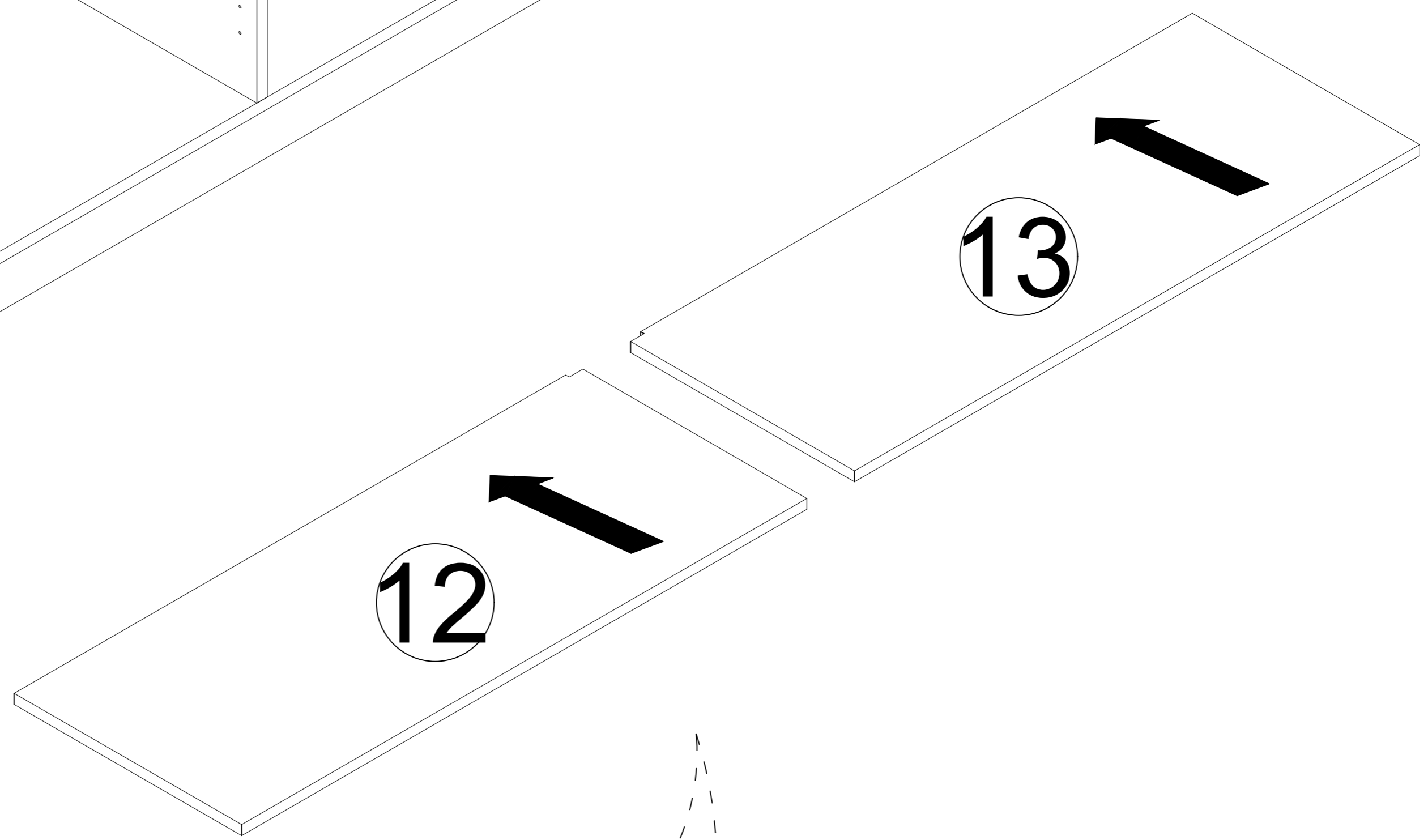
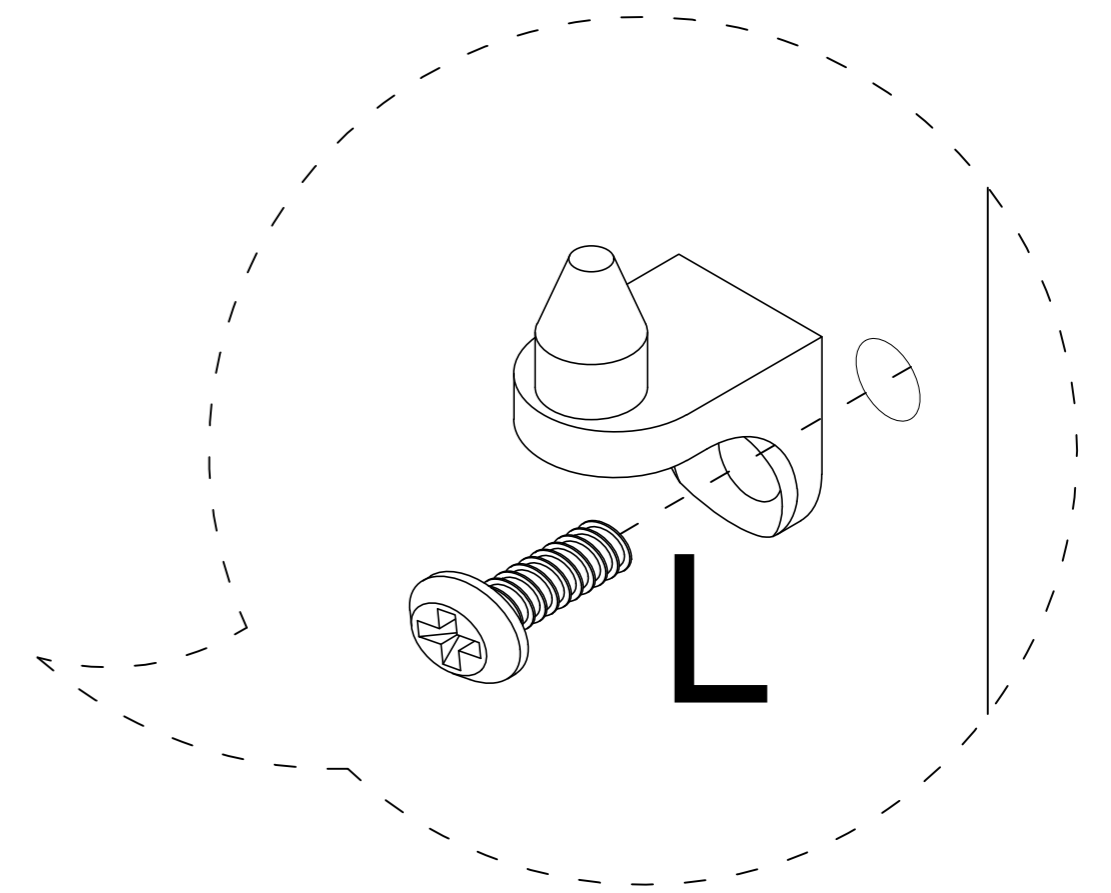
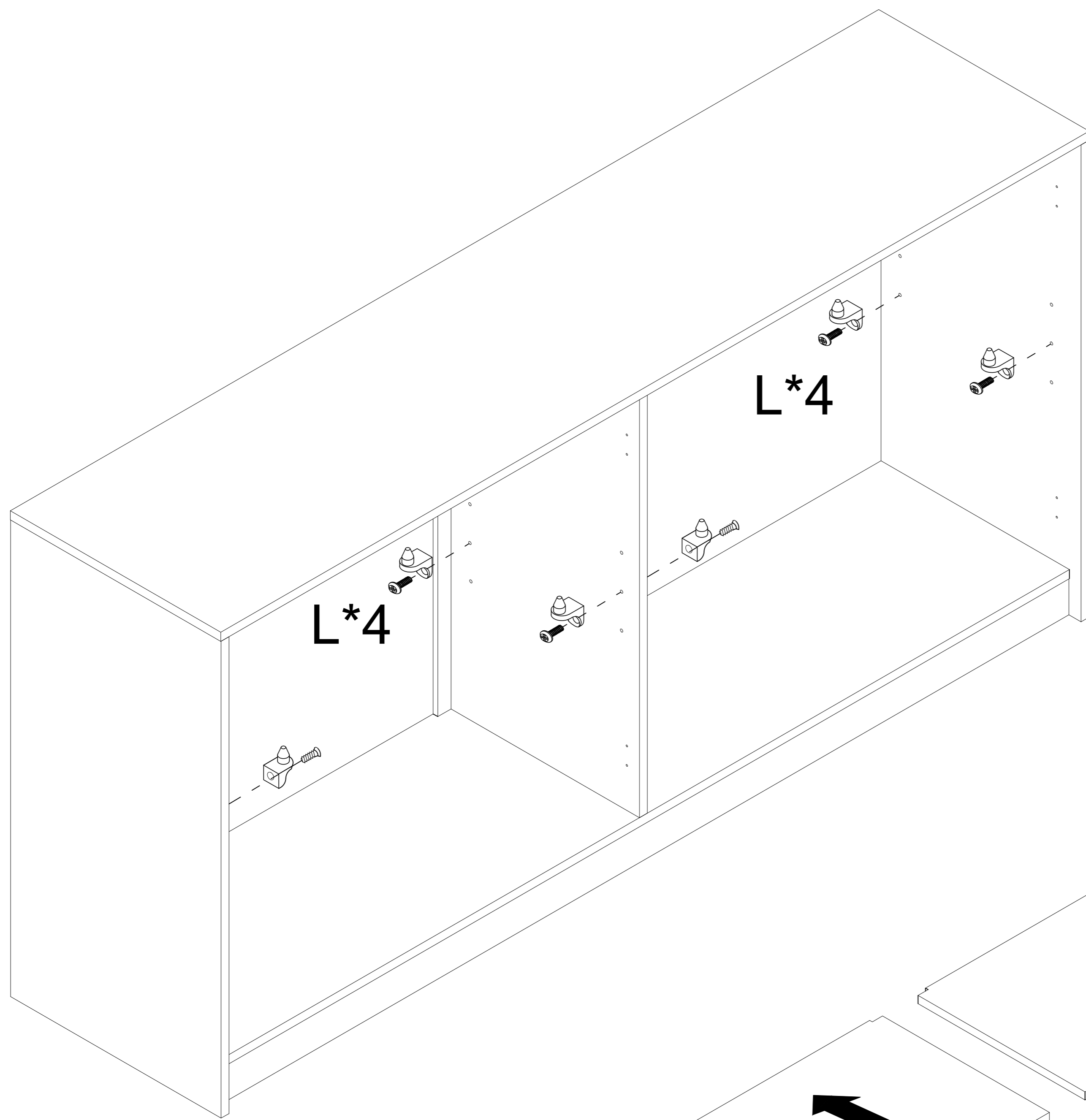


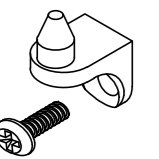
STEP 9



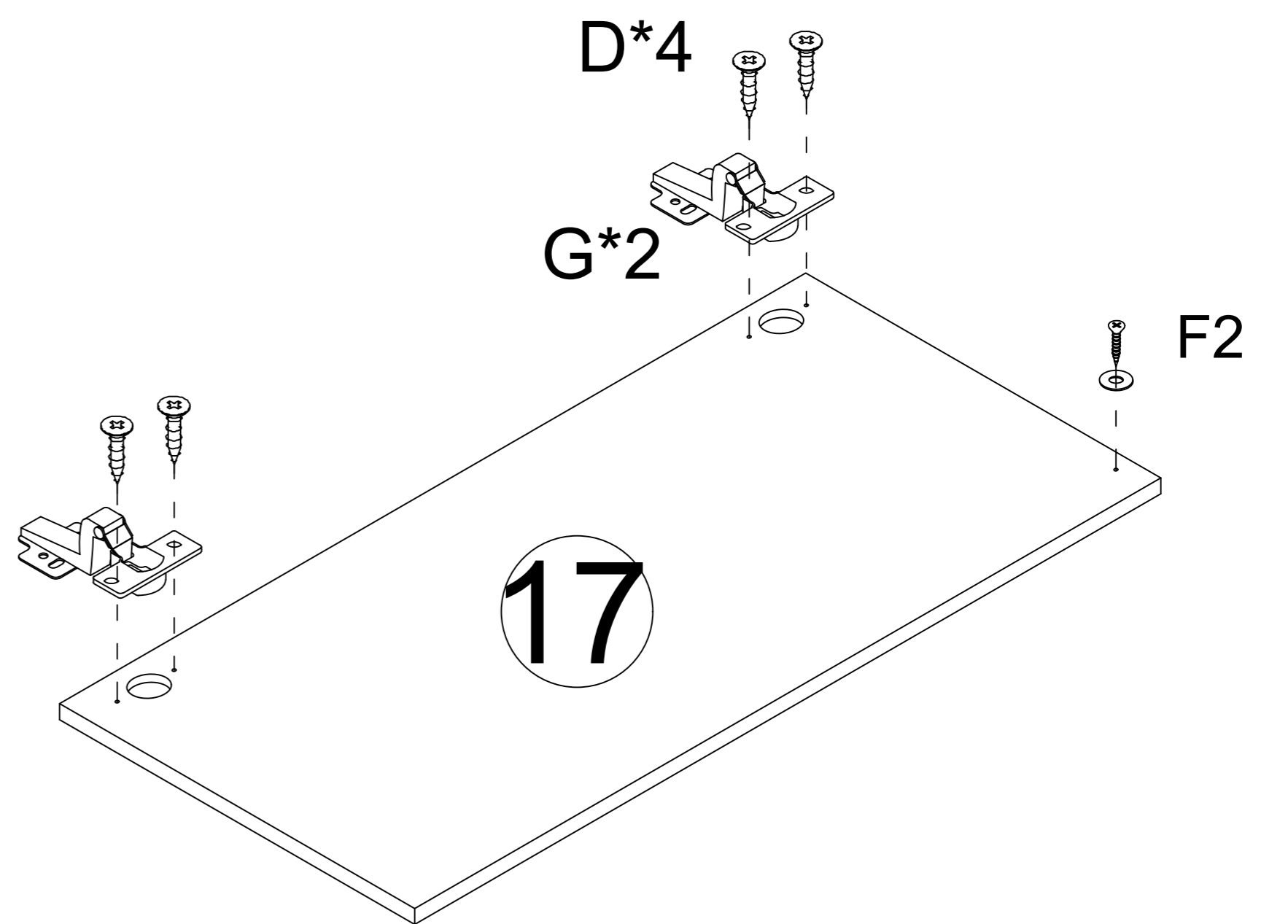
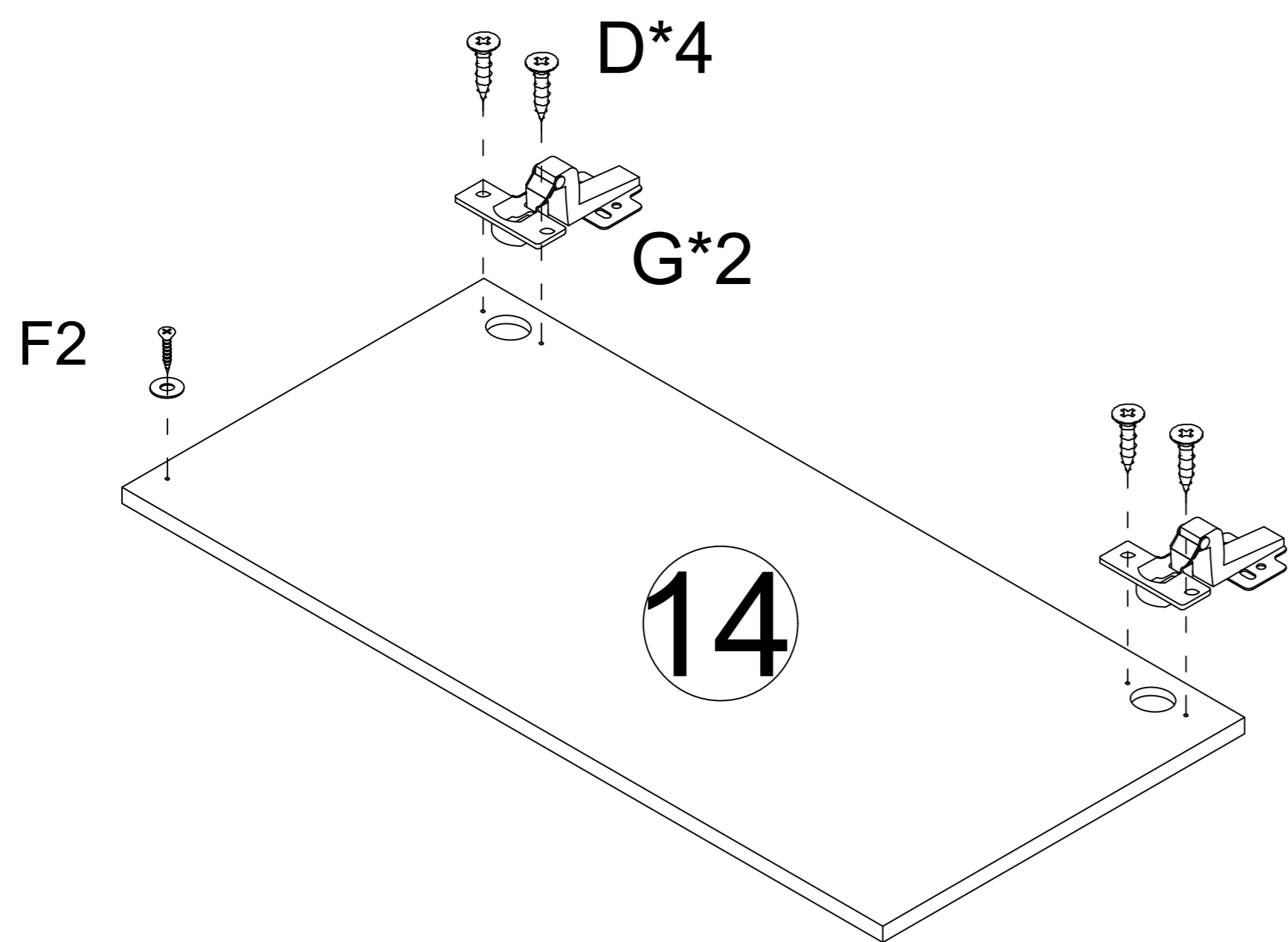
B	12PCS	C	6PCS
			
Ø 15*11.5mm		Ø8*30mm	

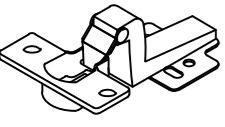


STEP 10



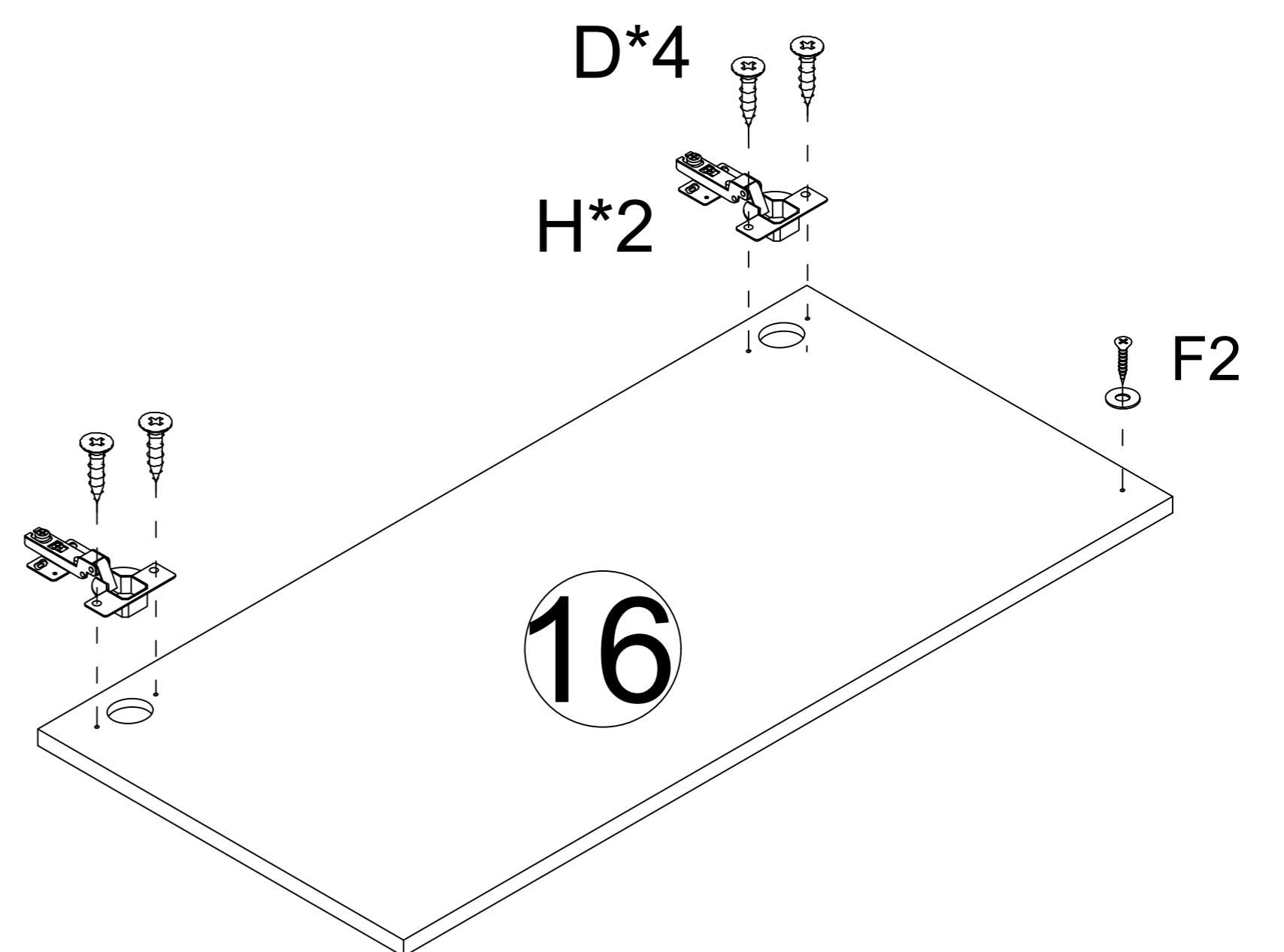
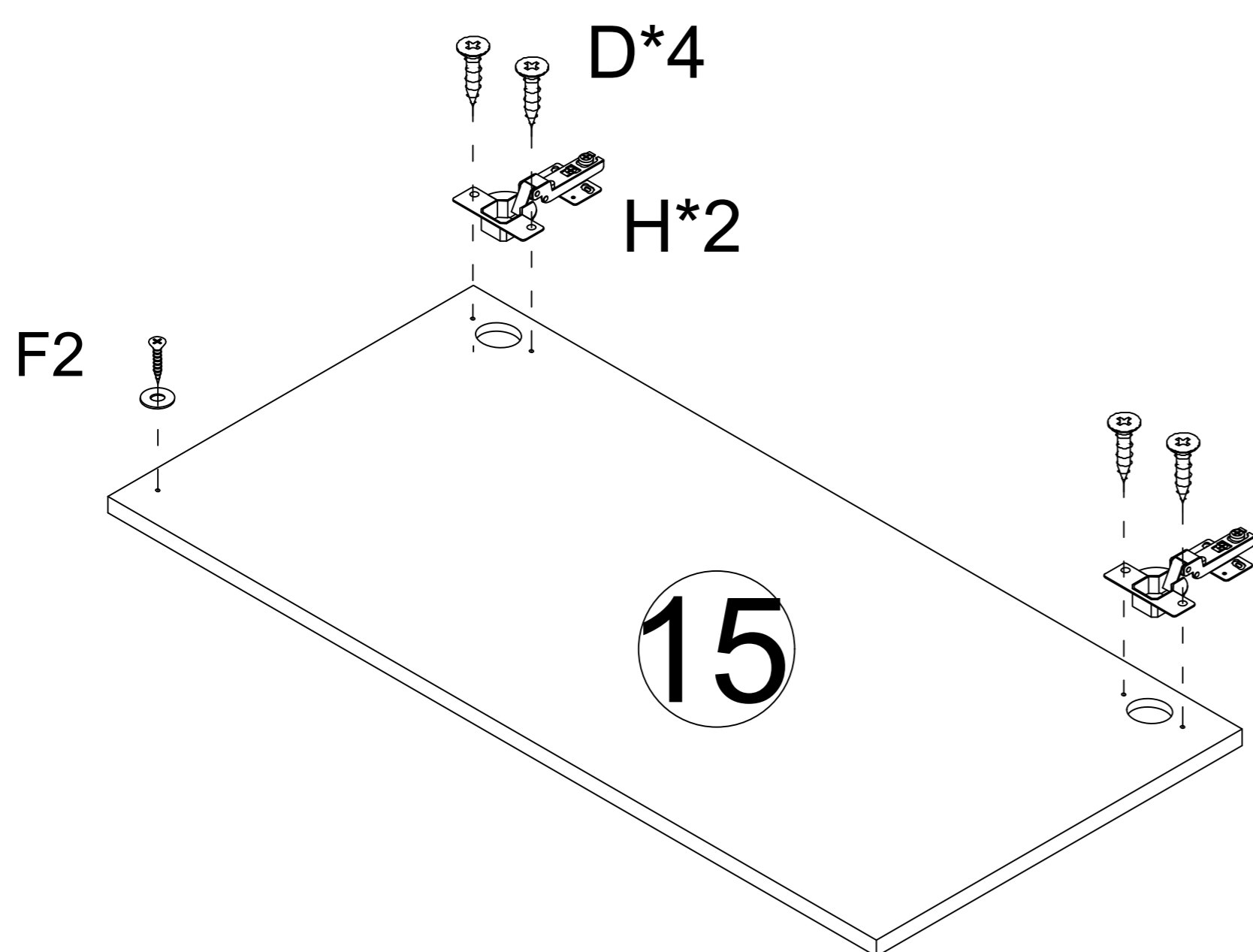
L	8PCS
	

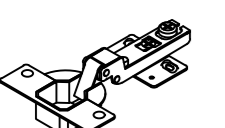


STEP 11



G 4PCS	D 8PCS	F2 2PCS
		
	M3.5*14mm	

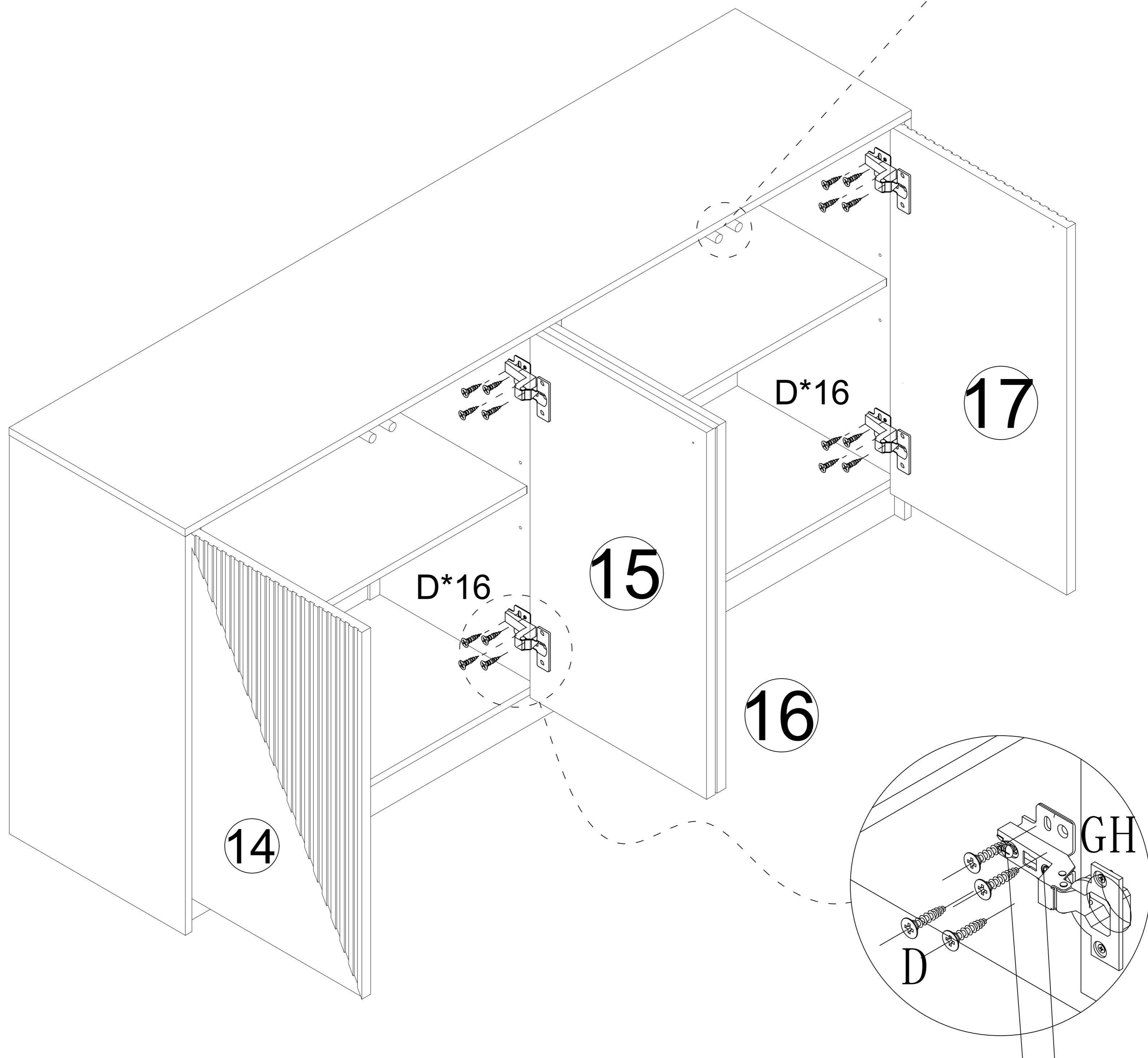
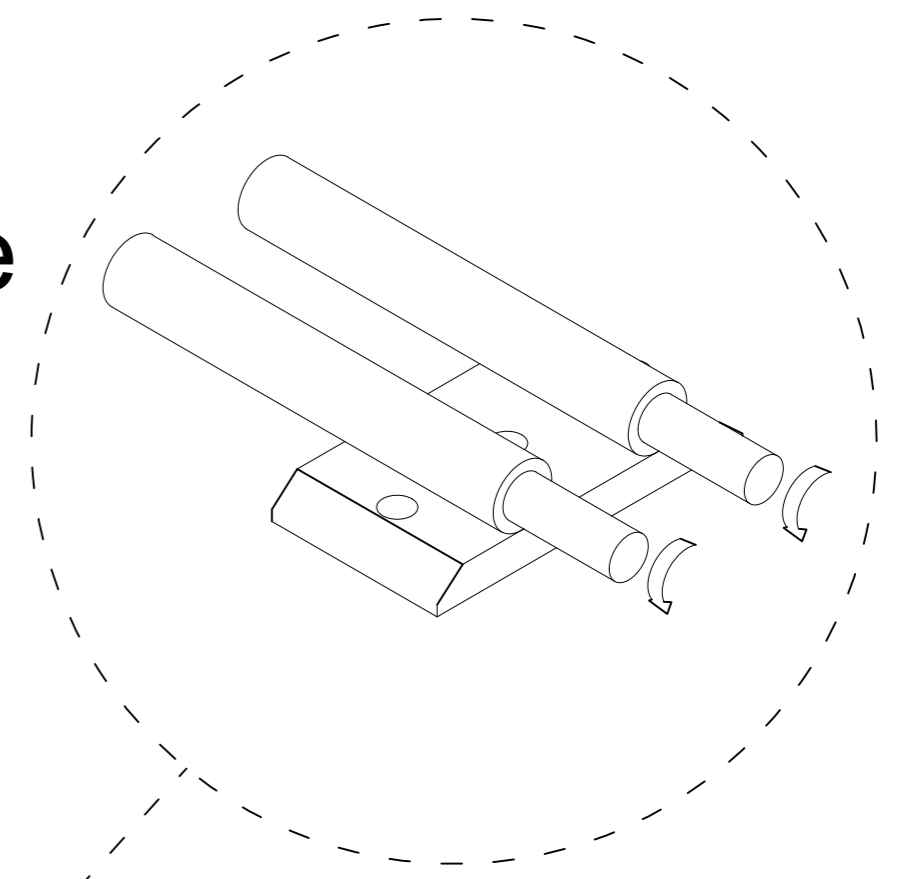
STEP 12



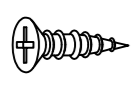
H 4PCS	D 8PCS	F2 2PCS
		
	M3.5*14mm	

STEP 13

The rotating part can adjust the length of this part and be adjusted to a suitable length for pressing the switch.



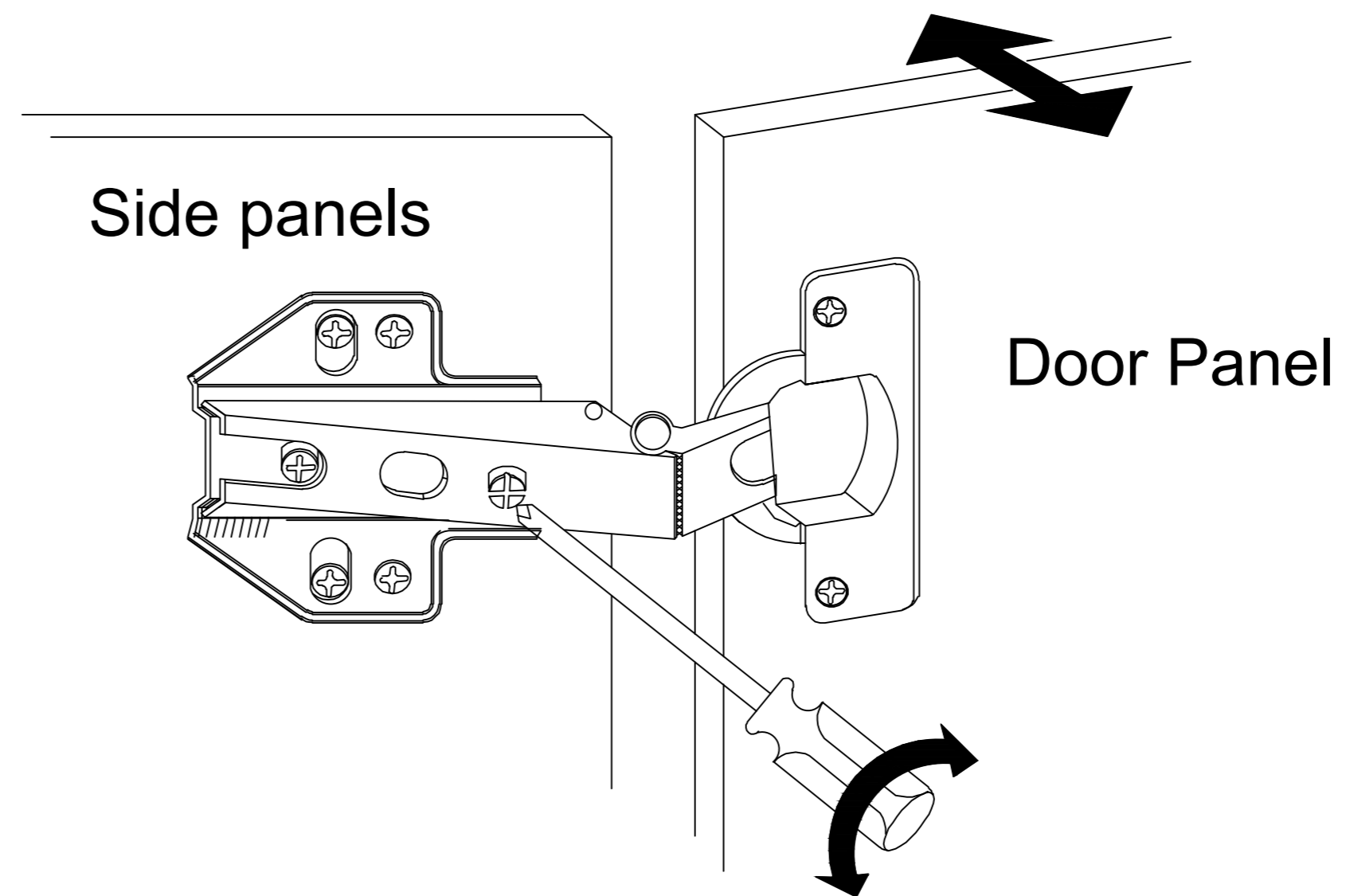
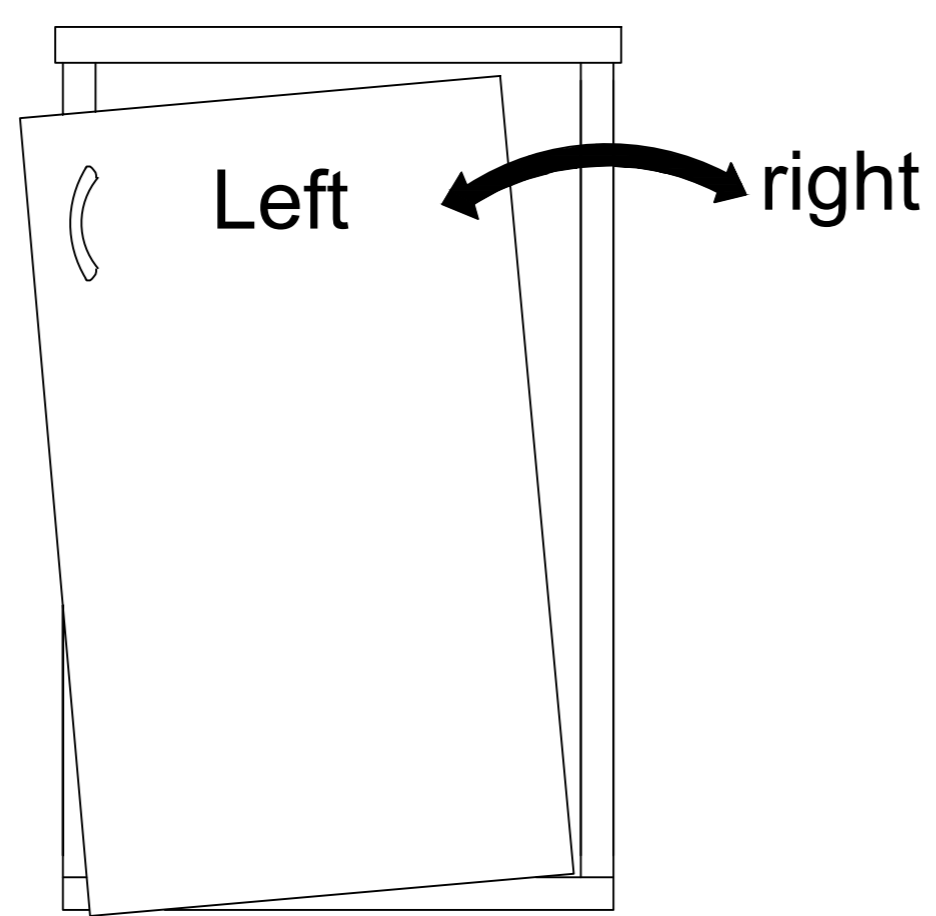
The two screws on the front and back can adjust the gap of the door panel.

D	32PCS
	
M3.5*14mm	

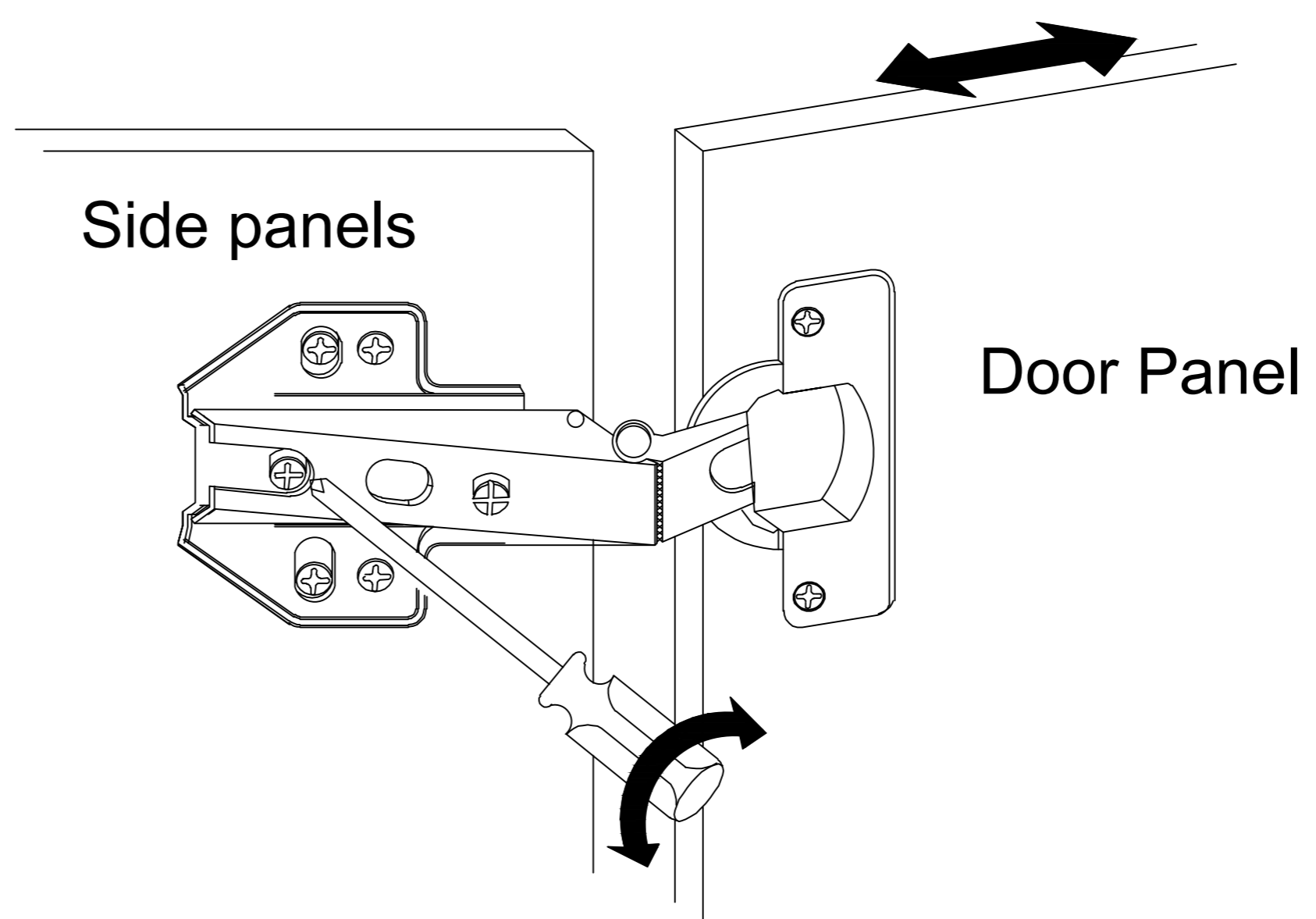
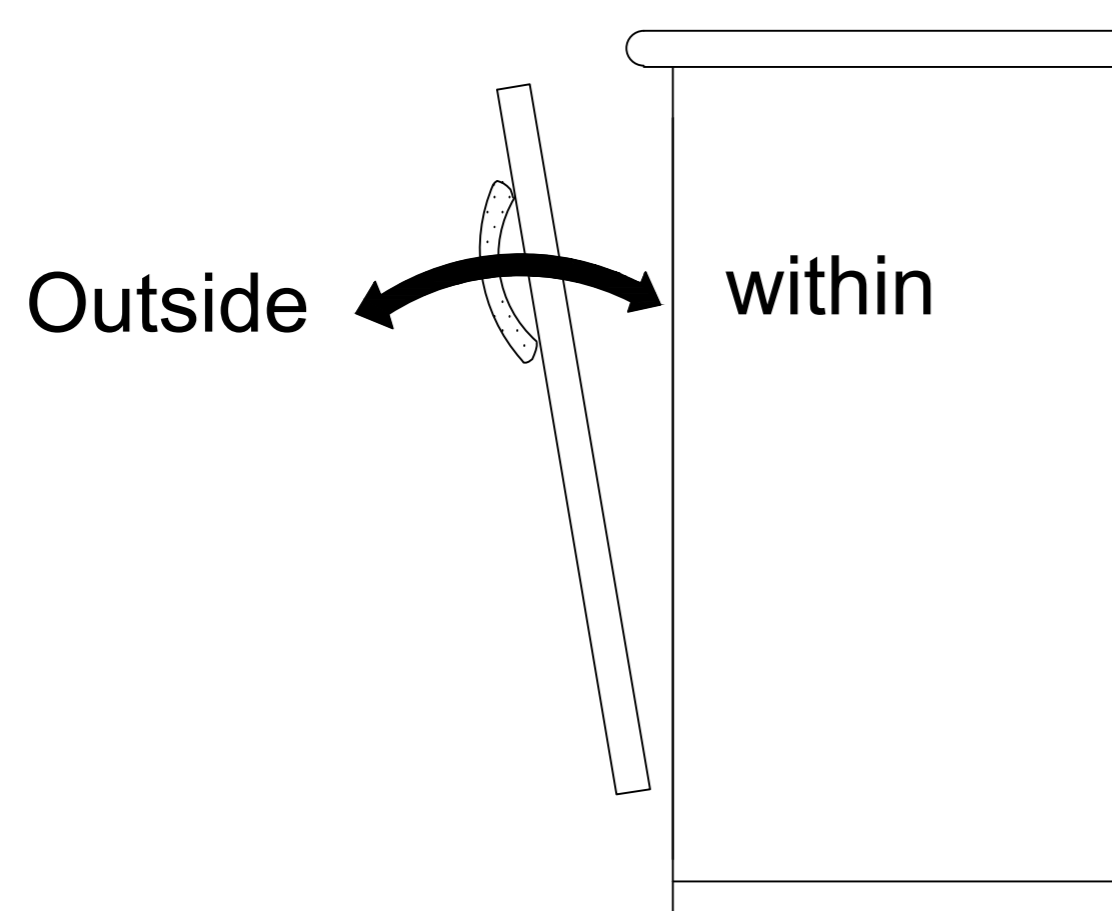
STEP 14

Door hinge adjustment method

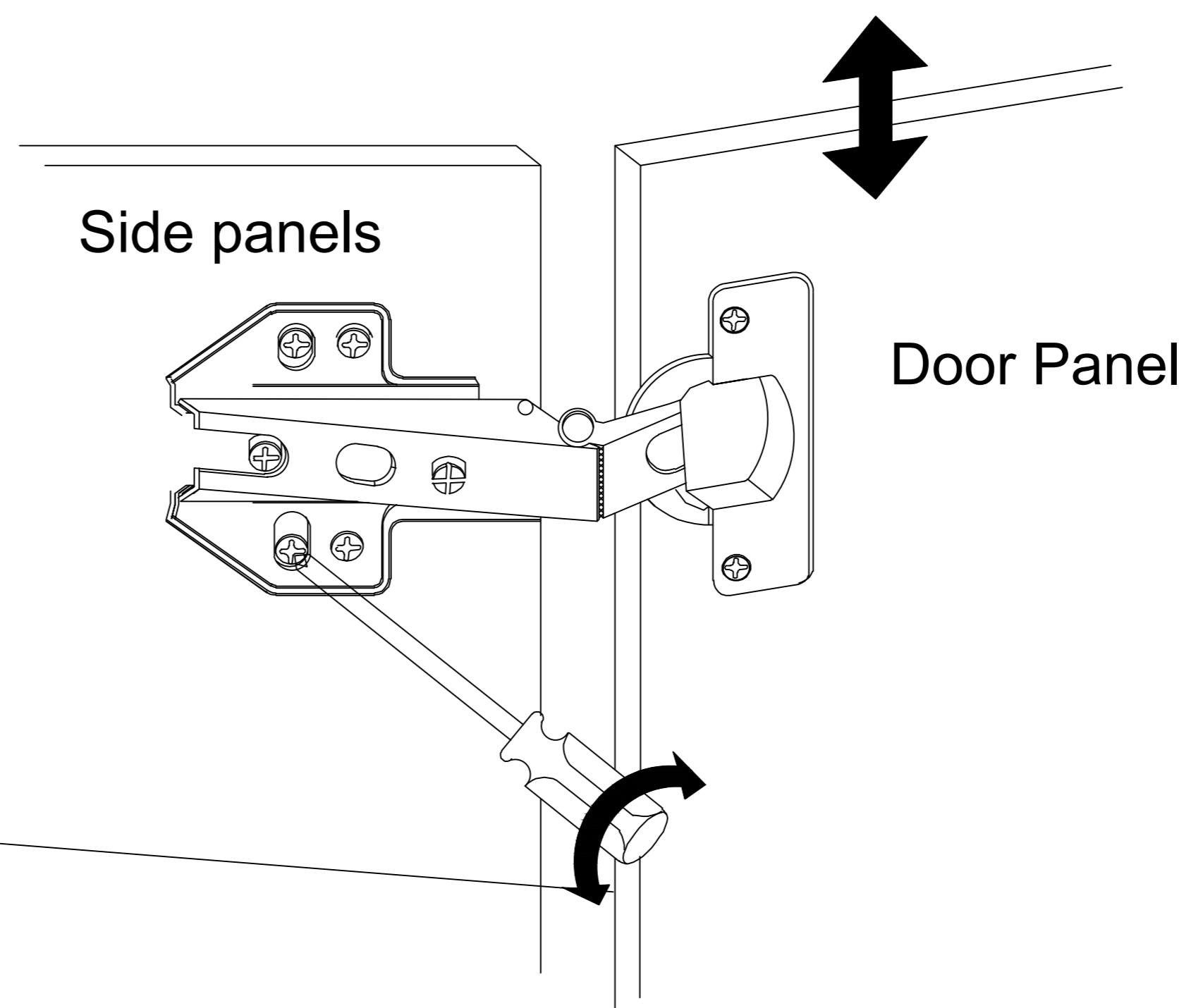
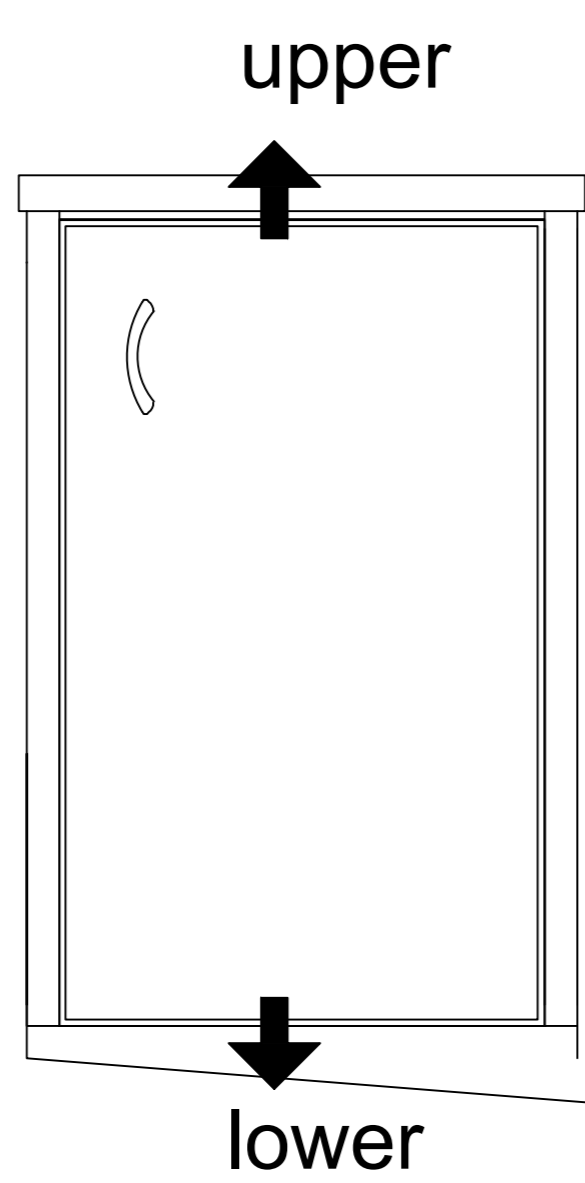
Method 1:



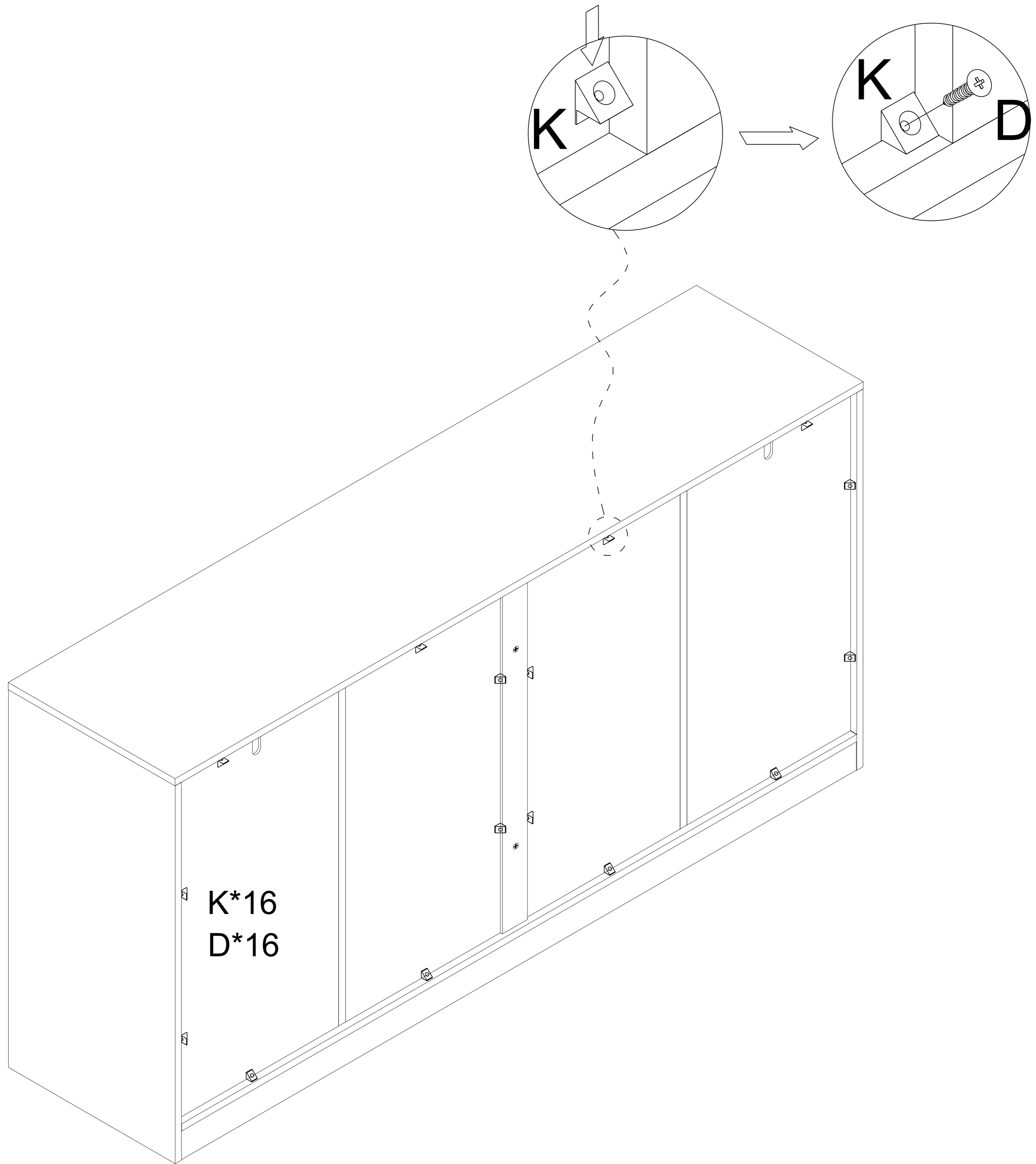
Method 2:

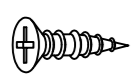


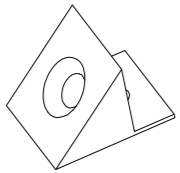
Method 3:



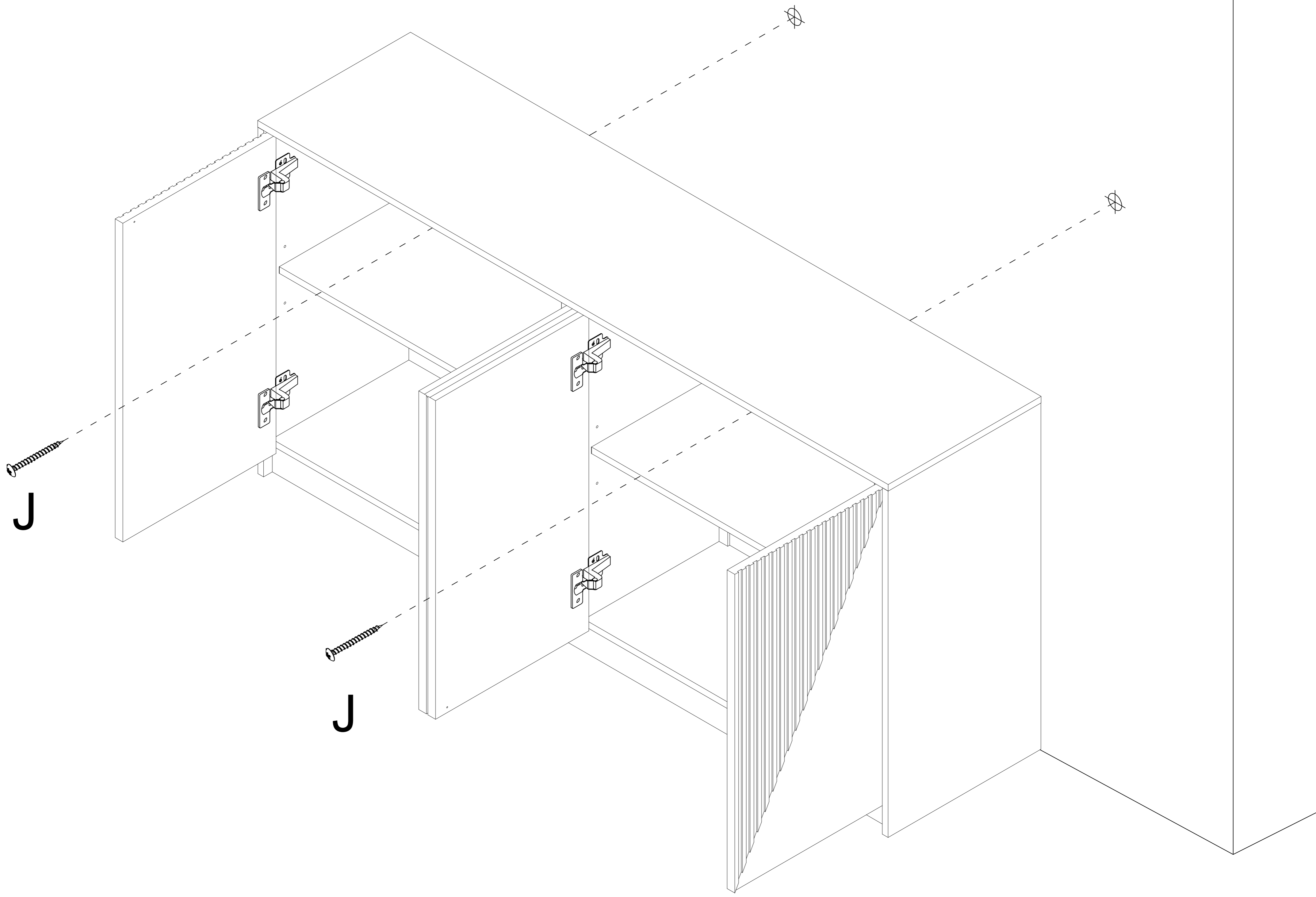
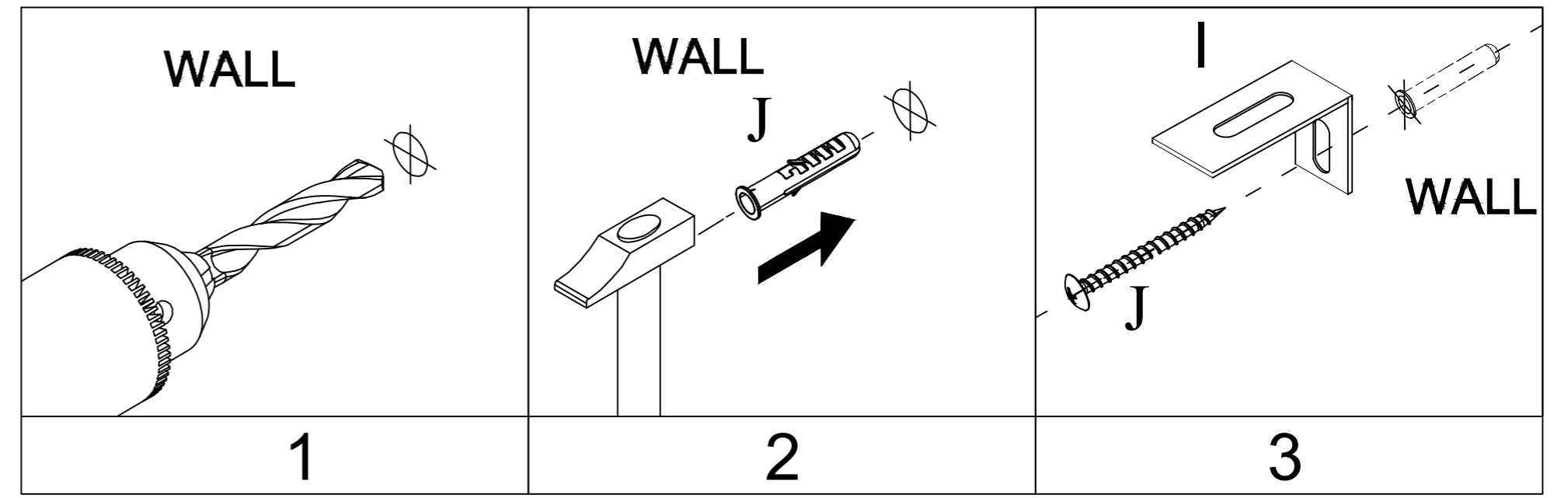
STEP 15



D	16PCS
	
M3.5*14mm	

K	16PCS
	

STEP 16



J	2PCS