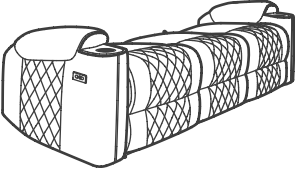


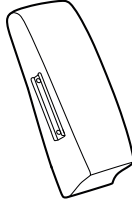
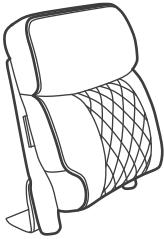
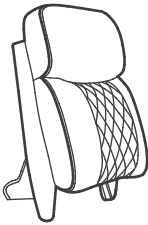
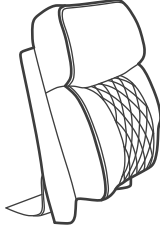


Assembly Instructions

Your sofa is packaged in one box. Carefully remove all components from the packaging and set them aside for assembly.

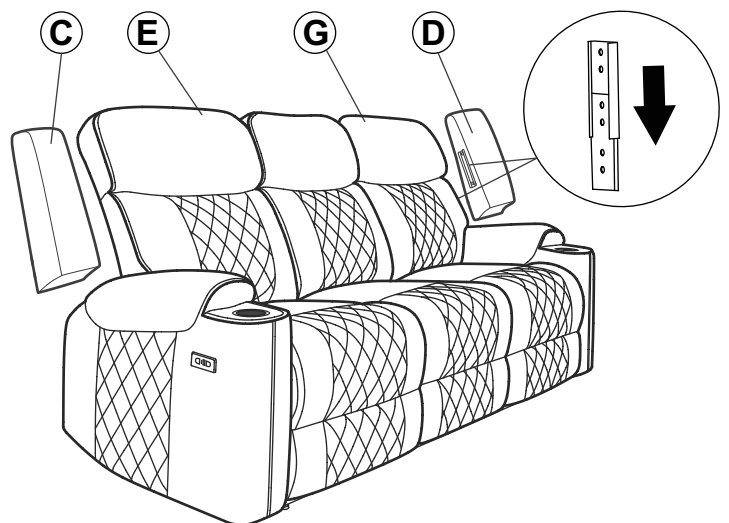
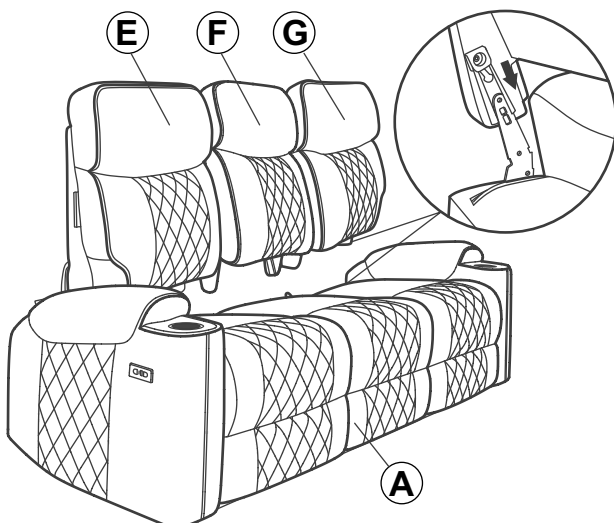
CAUTION:
DO NOT use any sharp objects to open plastic wrapped components as this may result damage to product or components

Package Contents

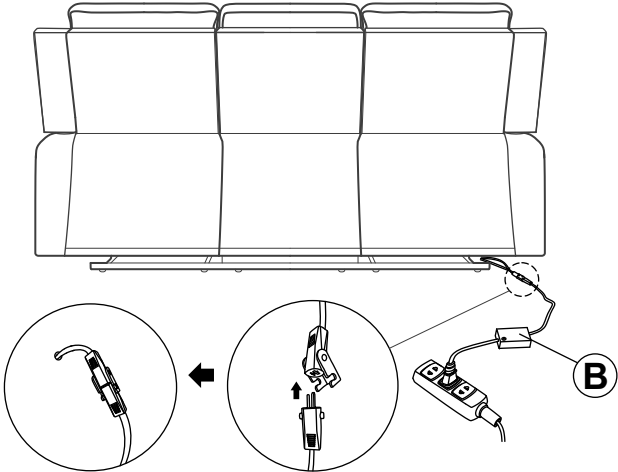
			
Part A*1 Seat Body	Part B*1 Adapter	Part C*1 Left Ear	Part D*1 Right Ear
			
Part E*1 Left Backrest	Part F*1 Middle Backrest	Part G*1 Right Backrest	

STEP 1 Attach the **Left Backrest (E)**, the **Middle Backrest (F)** and **Right Backrest (G)** to the **Seat Body (A)** by aligning the metal sliders.

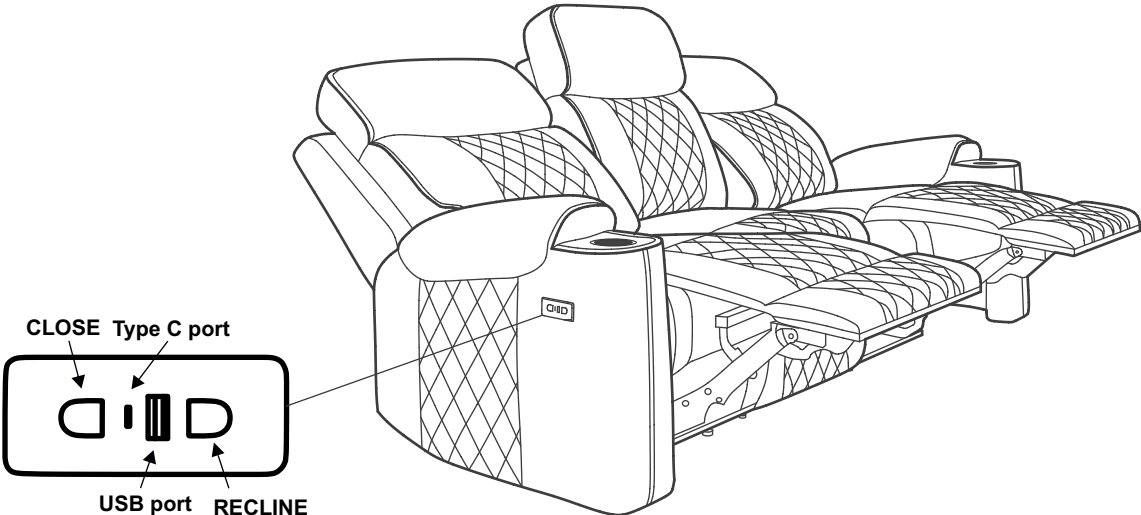
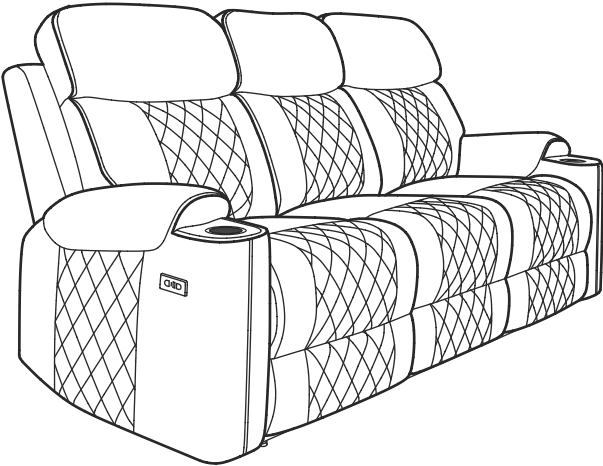
STEP 2 Attach the **Left Ear (C)** to **Left Backrest (E)** and the **Right Ear (D)** to the **Right Backrest (G)**.



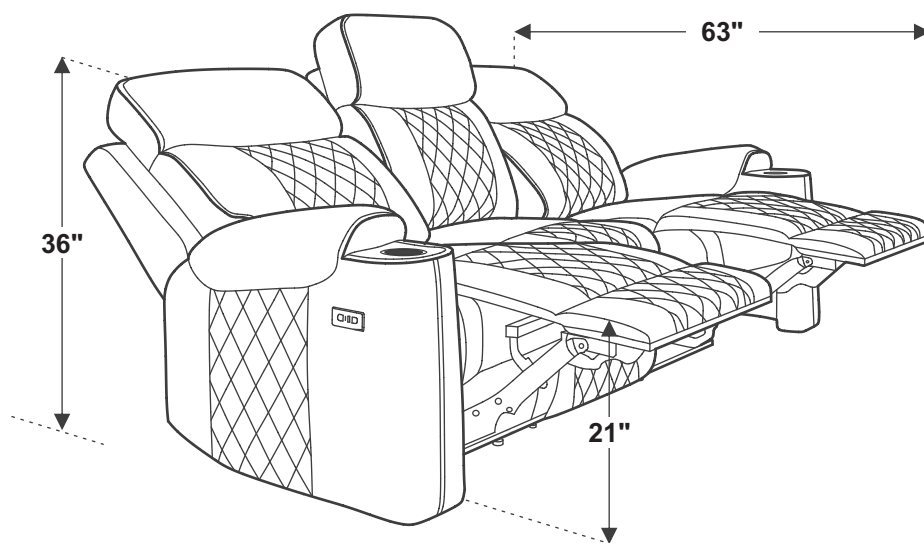
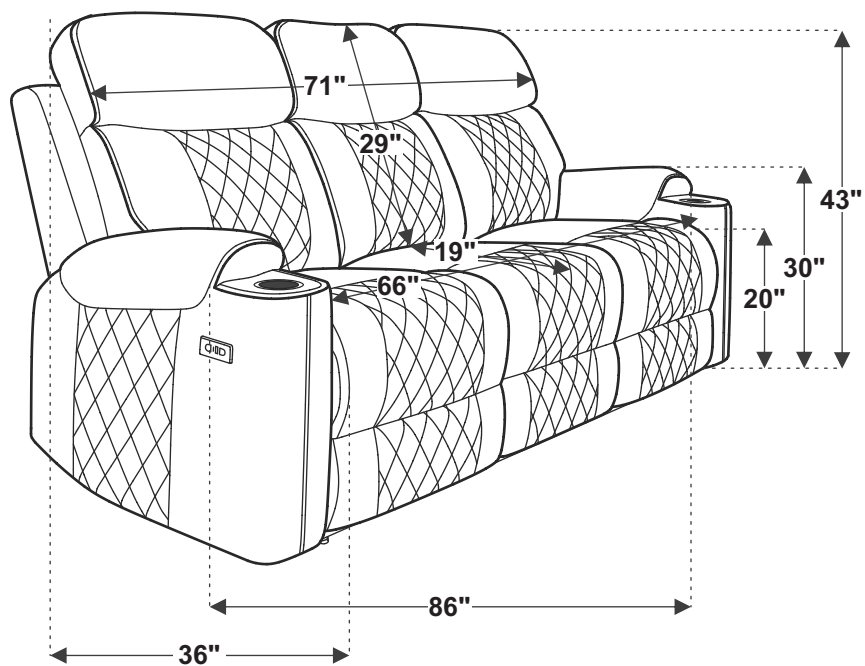
STEP 3 First, connect one end of the **Adapter (B)** cable to the connector from the bottom of the **Seat Body (A)**. Then, plug the remaining end into power outlet.



STEP 4 Assembly completed.



SIZE DIMENSIONS



Warnings

1. Please check if the components of the chair are all included and can be used normally.
2. Assemble all components according to the instruction correctly before you connect the chair to the power.
3. Please DO NOT sit on the armrests or footrest to eliminate the risk of tipping over.
4. If the chair is damaged or doesn't match the website description, please send clear pictures of the product and label of the carton to our service team for further help.
5. If the recliner doesn't work, you may try the following measures for self-checking firstly:
 - a) Check if all the cables are connected;
 - b) Check if the light of transformer is on.If the chair still doesn't work, please feed the information back to our customer service in time and we'll help you solve the matter as soon as possible.
6. If you have any questions with the product, please contact us

