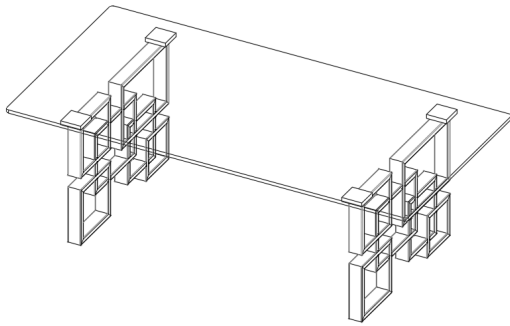


ASSEMBLY INSTRUCTIONS



+ Do Not Use Power Tools



+ Suggested Adults



NOTE:

- 1 Read instructions cover to cover.
- 2 Save all packaging until assembly is completed.

1 IMPORTANT SAFETY INFORMATION

Do not assemble the product if any of the following parts arrived damaged:

- Part # - Base
- Part # - Table Top

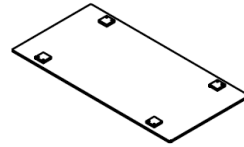
2 IMPORTANT ASSEMBLY INFORMATION

Assembly Step Use Bolt B , to connect Part 1 to Part 2.

***Warning:** Do not over tighten screws, or it could damage the Table Top.

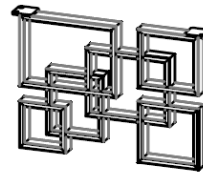
+ Parts Included

①



1PC

②



2PCS

+ Hardware Included

Allen wrench (5mm)

A



1PC

B



Bolt (M8*10)

8PCS

C

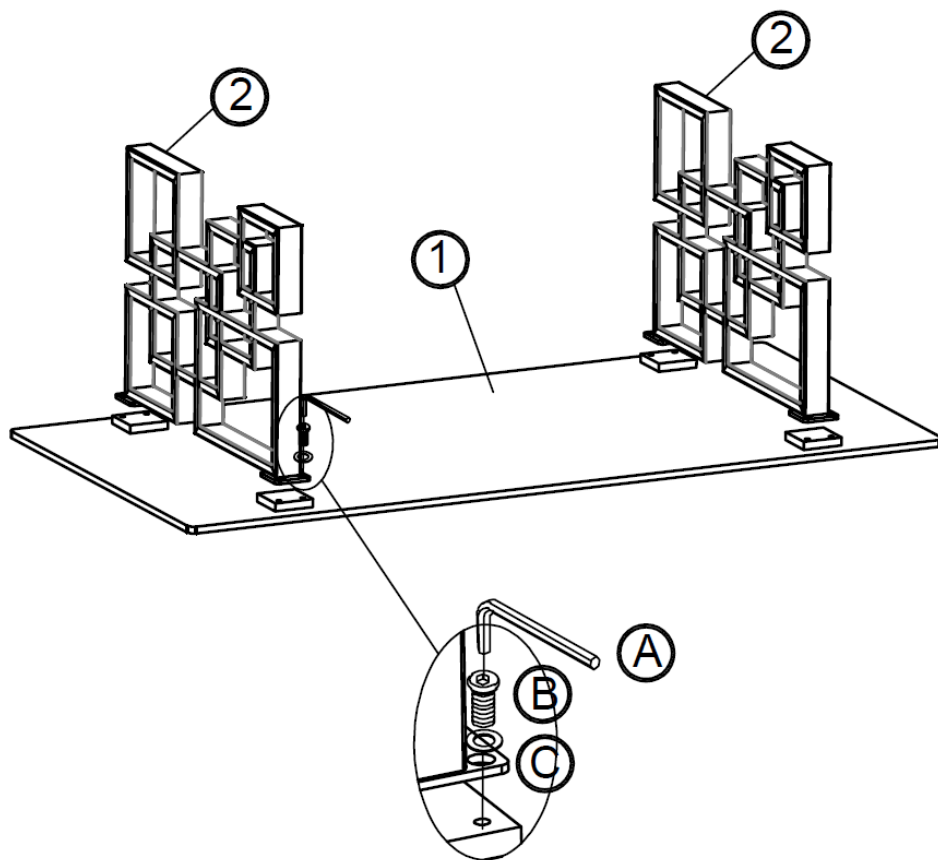


Flat Washer (φ18*φ8)

8PCS

ASSEMBLY INSTRUCTIONS

1



Note: Do not over tighten screws