

# Instruction Manual

---

## 1. SAFETY RULES

1. To reduce the risk of electric shock, insure electricity has been turned off at the circuit breaker or fuse box before beginning.
2. All wiring must be in accordance with the National Electrical Code and local electrical codes. Electrical installation should be performed by a qualified licensed electrician.
3. **WARNING:** Suitable for use with solid-state speed controls.
4. **WARNING:** To reduce the risk of personal injury, use only the two steel screws (and lock washers) provided with the outlet box for mounting to the outlet box. Most outlet boxes commonly used for the support of lighting fixtures are not acceptable for fan support and may need to be replaced, consult a qualified electrician if in doubt.
5. The outlet box and support structure must be securely mounted and capable of reliably supporting a minimum of 50 pounds. Use only CUL Listed outlet boxes marked "FOR FAN SUPPORT".
6. The fan must be mounted with a minimum of 7 feet clearance from the trailing edge of the blades to the floor.
7. Do not operate reversing switch while fan blades are in motion. Fan must be turned off and blades stopped before reversing blade direction.
8. Avoid placing objects in the path of the blades.
9. To avoid personal injury or damage to the fan and other items, be cautious when working around or cleaning the fan.
10. Do not use water or detergents when cleaning the fan or fan blades. A dry dust cloth or lightly dampened cloth will be suitable for most cleaning.
11. After marking electrical connections, spliced conductors should be turned upward and pushed carefully up into outlet box. The wires should be spread apart with the grounded conductor and the equipment-grounding conductor on one side of the outlet box.
12. Electrical diagrams are reference only. Light kits that are not packed with the fan must be CUL Listed and marked suitable for use with the model fan you are installing. Switches must be CUL General Use Switches. Refer to the Instructions packaged with the light kits and switches for proper assembly.

**WARNING**

TO REDUCE THE RISK OF FIRE, ELECTRIC SHOCK OR PERSONAL INJURY, MOUNT FAN TO OUTLET BOX MARKED "ACCEPTABLE FOR FAN SUPPORT".

**WARNING**

TO REDUCE THE RISK OF PERSONAL INJURY, DO NOT BEND THE BLADE BRACKETS (ALSO REFERRED TO AS FLANGES) DURING ASSEMBLY OR AFTER INSTALLATION. DO NOT INSERT OBJECTS IN THE PATH OF THE BLADES.

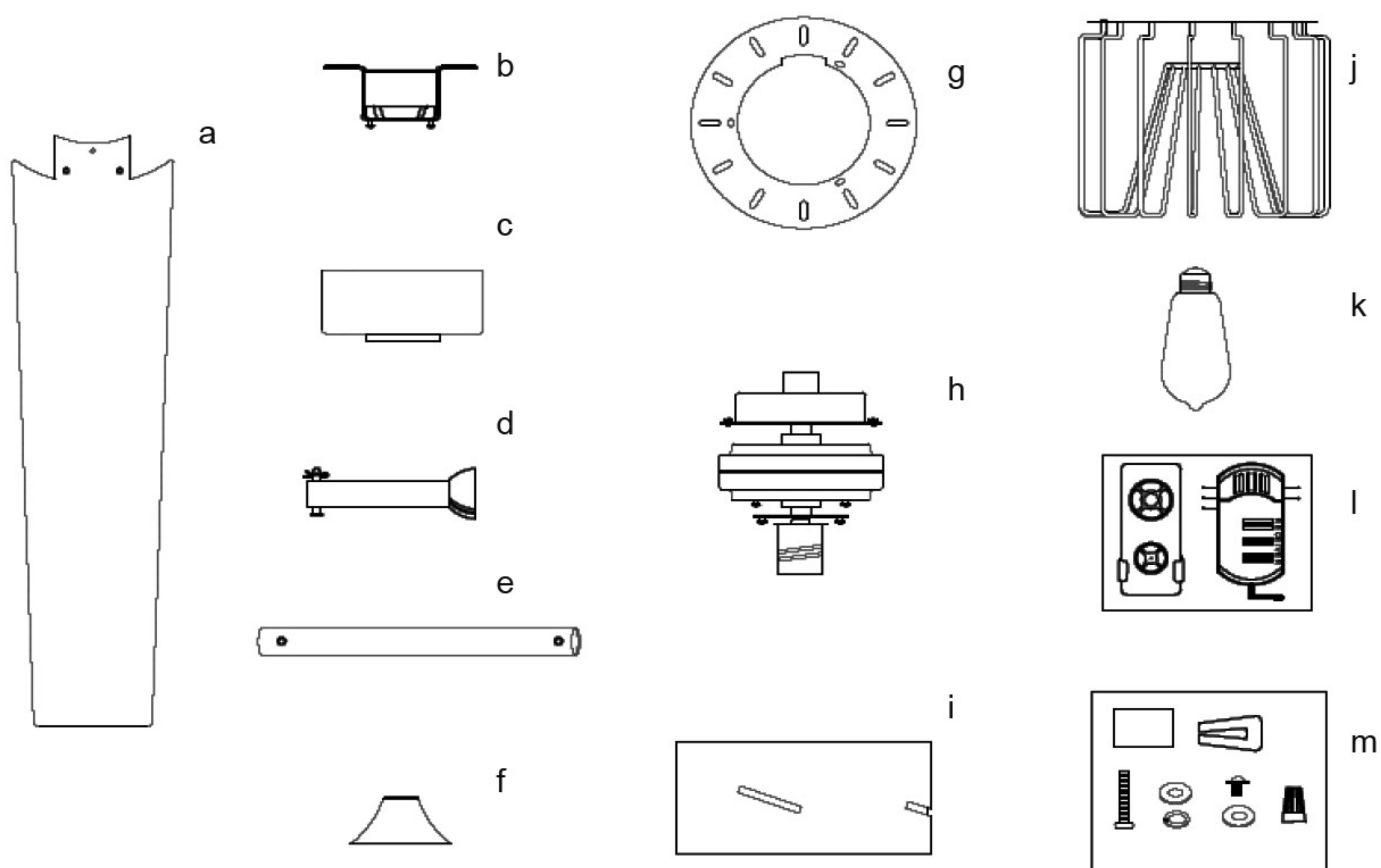
## 2. TOOLS AND MATERIALS REQUIRED

- Philips screw driver
- Blade screw driver
- 11 mm wrench
- Step ladder
- Wire cutters



## 3. PACKAGE CONTENTS

- a. Fan blades(3)
- b. Ceiling mounting bracket
- c. Canopy
- d. Ball/downrod assembly
- e. Additional downrod
- f. Coupling cover
- g. Top plate of the motor assembly
- h. Motor assembly
- i. Motor housing
- j. Light frame
- k. LED bulb(1)
- l. Remote control set
- m. Balance kit & accessories bag



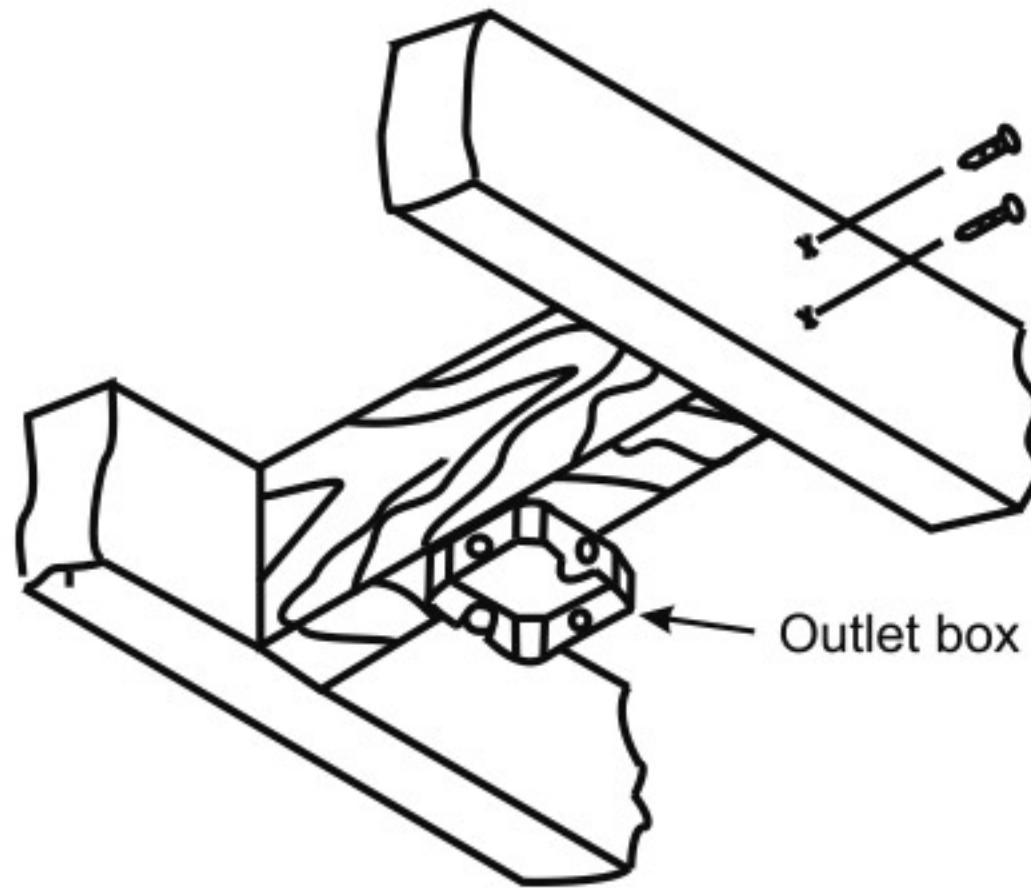


Fig. 1

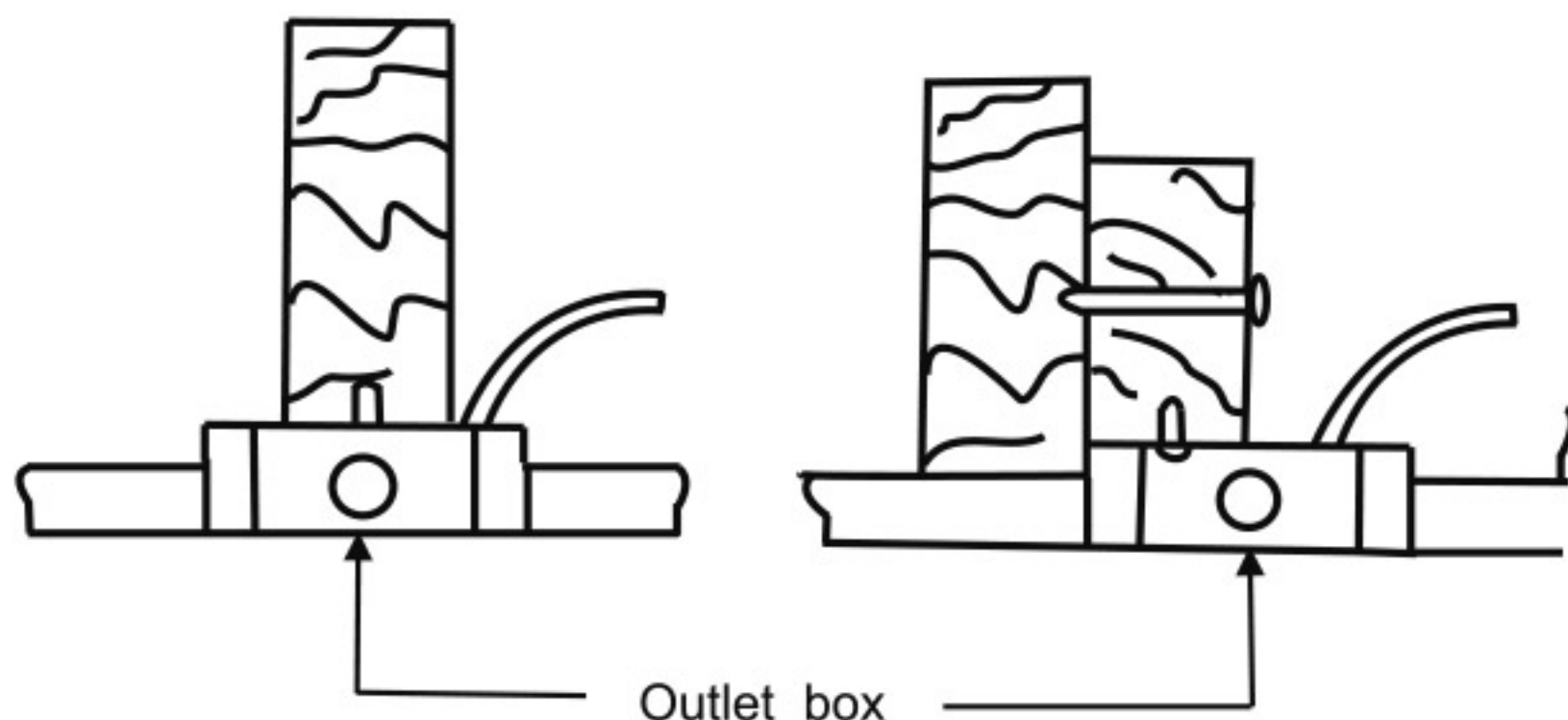


Fig. 2

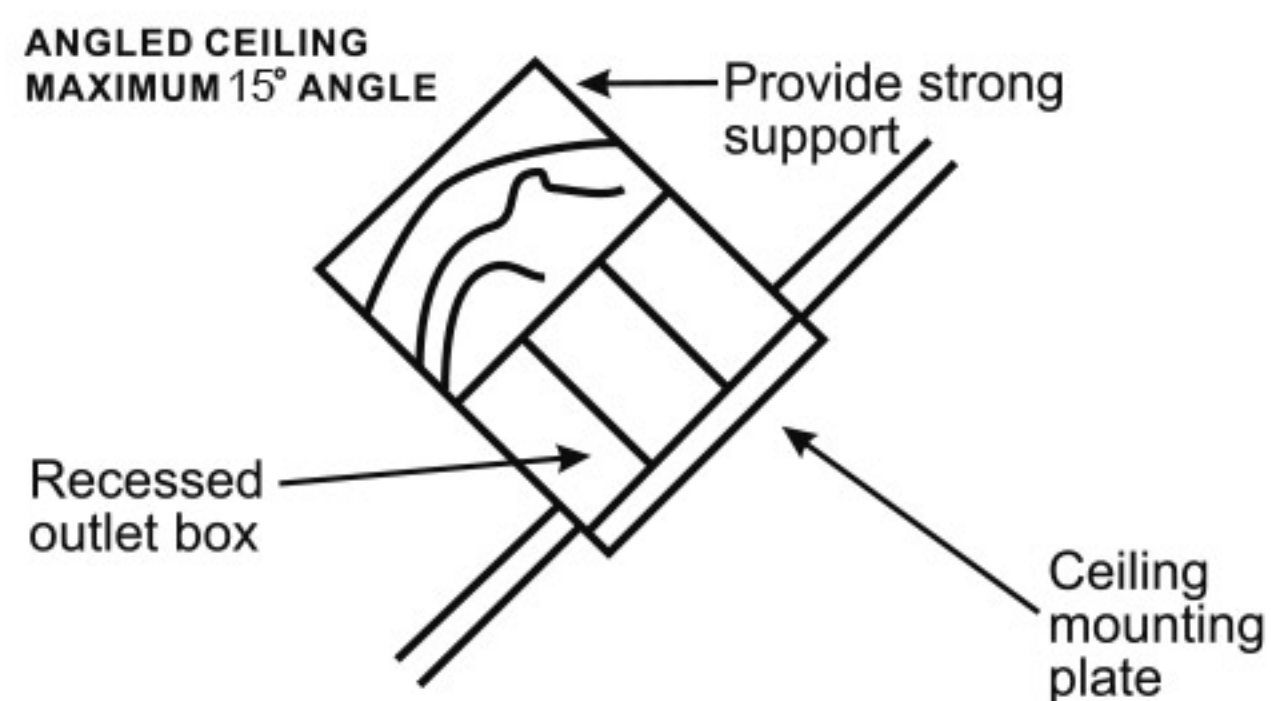


Fig. 3

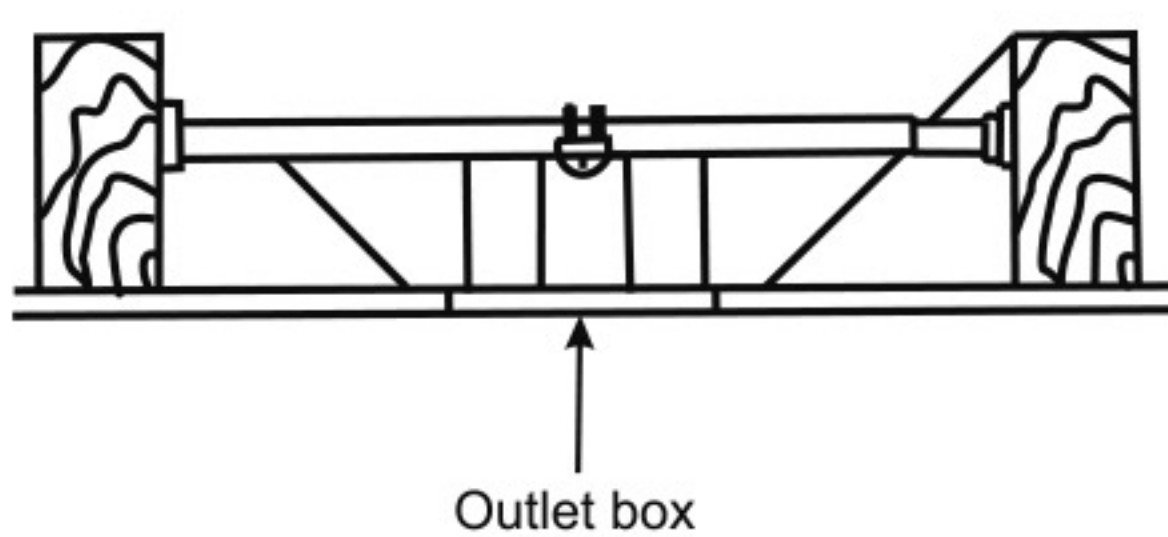


Fig. 4

#### 4. MOUNTING OPTIONS

If there isn't an existing UL (cUL for Canadian Installation) listed mounting box, then read the following instructions. Disconnect the power by removing fuses or turning off circuit breakers.

Secure the outlet box directly to the building structure. Use appropriate fasteners and building materials. The outlet box and its support must be able to fully support the moving weight of the fan (at least 50 lbs). Do not use plastic outlet boxes.

Figures 1, 2 and 3 are examples of different ways to mount the outlet box.

NOTE: If you are installing the ceiling fan on a sloped (vaulted) ceiling, you may need a longer downrod to maintain proper clearance between the tip of the blade and the ceiling. A minimum clearance of 12" is suggested for optimal operation.

NOTE: Depending on the location you have selected for installation, you may need to purchase and install a "Joist Hanger" for the support of the outlet box. Make sure the joist hanger you purchase has been designed for use with ceiling fans. (Fig. 4)

## 5. HANGING THE FAN

**REMEMBER** to turn off the power. Follow the steps below to hang your fan properly.

### STANDARD CEILING INSTALLATION

Step 1. Loosen the screws on the fan hanger and fix the fan hanger to the ceiling outlet box with wood screws. Pass the 120-volt supply wires through the center hole in the ceiling fan hanger.

Step 2. Remove the pin and clip from the downrod. Then partially loosen the two set screws in the yoke at the top of the motor assembly

Step 3. Slip orderly the canopy, canopy cover and coupling cover onto the downrod upwards; and then feed the lead wires from fan motor pass through the downrod.

Step 4. Install the downrod into yoke. Slide the downrod into the yoke at the top of the motor assembly. Align the holes. Insert the Hitch Pin through the downrod and then re-install the retaining clip; then tighten the set screws.

Step 5. Place the downrod ball into the hanger bracket socket. Rotate the entire assembly until the "Check Tab" has dropped into the "Registration Slot" and is seated firmly. **The entire motor assembly should not wobble (left or right) when seated properly.**

**WARNING: Failure to reattach the cross pin and seat the "Check Tab" can cause the fan to fall from the ceiling during operation. Take special care to make sure this pin is reattached.**

### CHANGING THE DOWNROD (OPTIONAL)

NOTE: Your fan comes with an additional downrod in case the ceiling is higher. In this case, perform the following steps for correct installation:

1. Remove the hanger ball from downrod by loosening the set screw at the top of the downrod which holds the hanger ball to the downrod.
2. Slide the hanger ball down the downrod and remove the support pin.
3. Insert the support pin in the holes at the top of the downrod and slide the hanger ball up the downrod. Make sure the support pin is properly seated in the grooves in the top of the hanger ball.
4. Tighten the set screws firmly.

**WARNING: To prevent the fan wobble and serious injury. Make sure to attach the support pin properly and tighten the set screws firmly.**

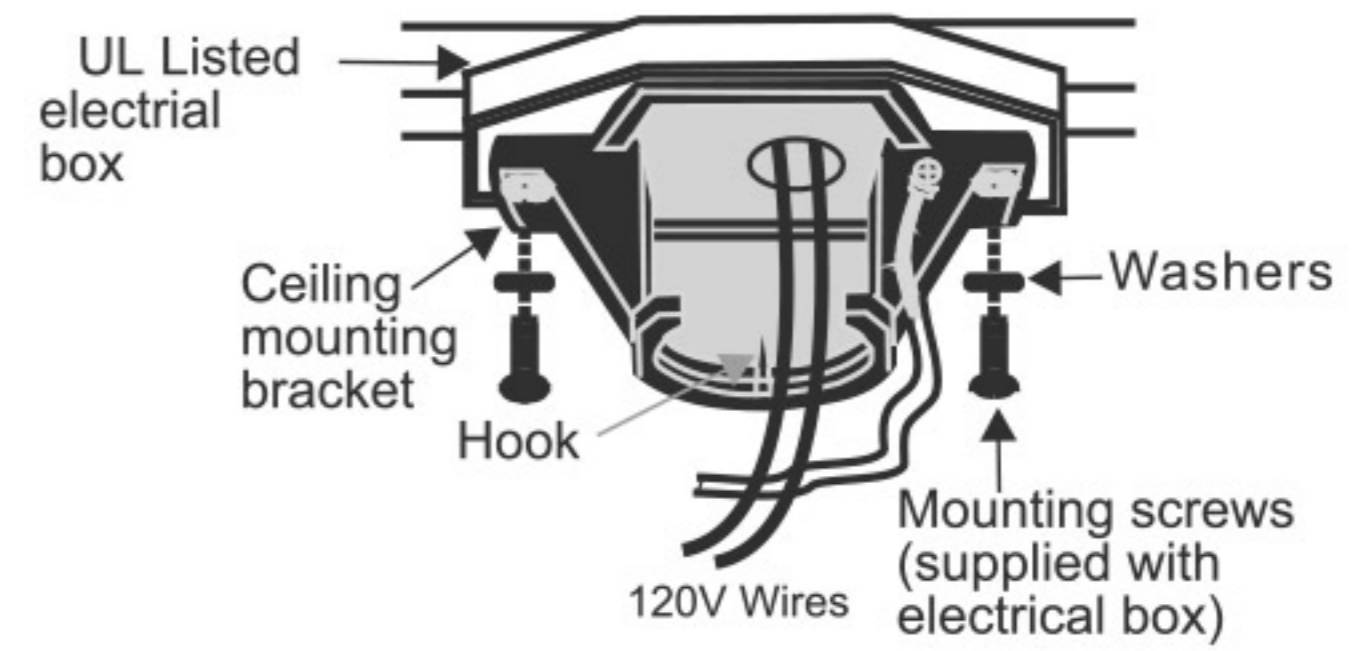
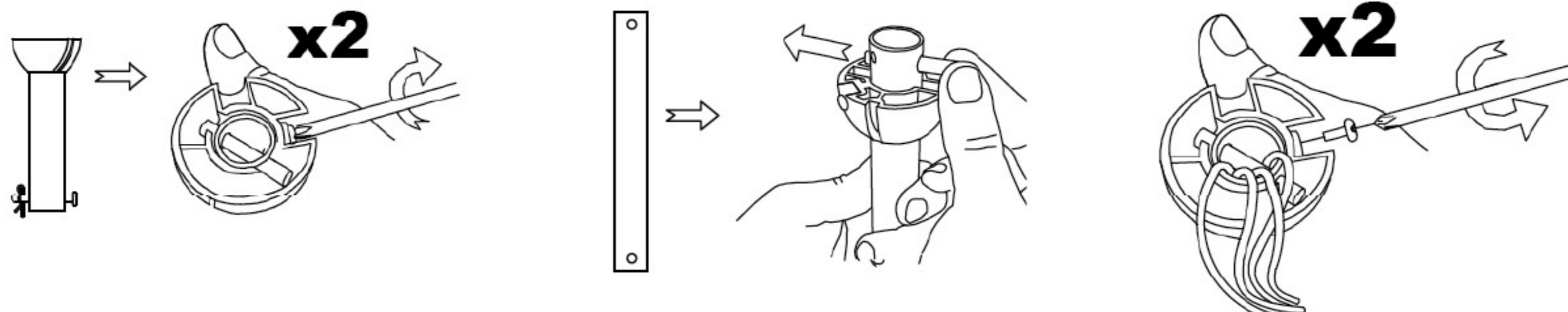
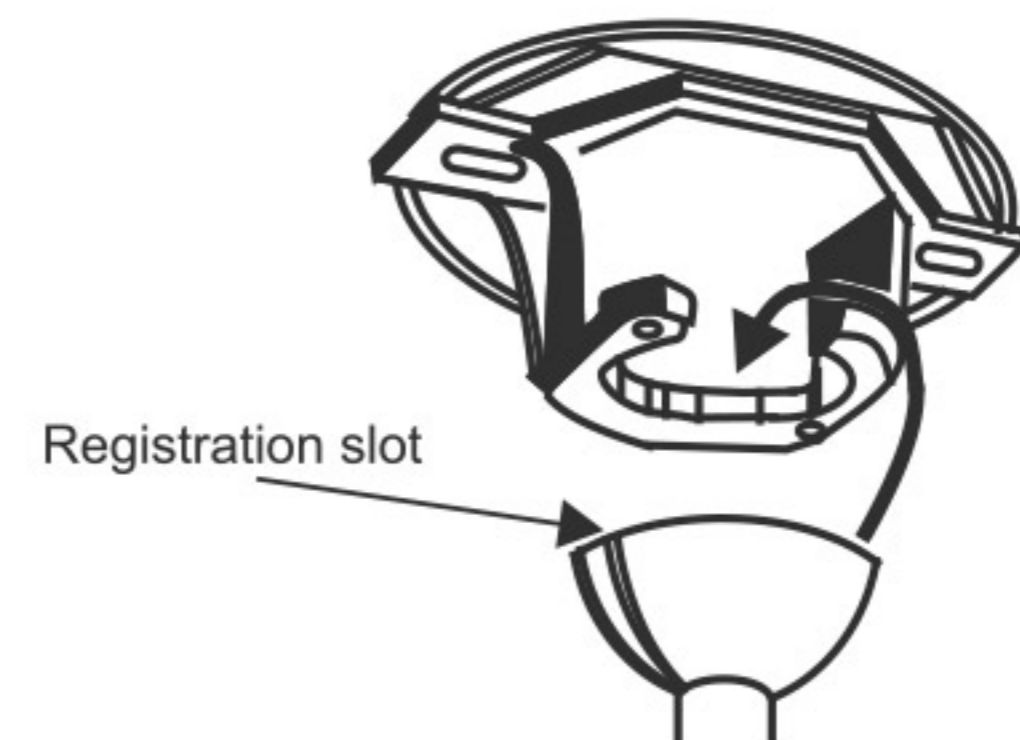
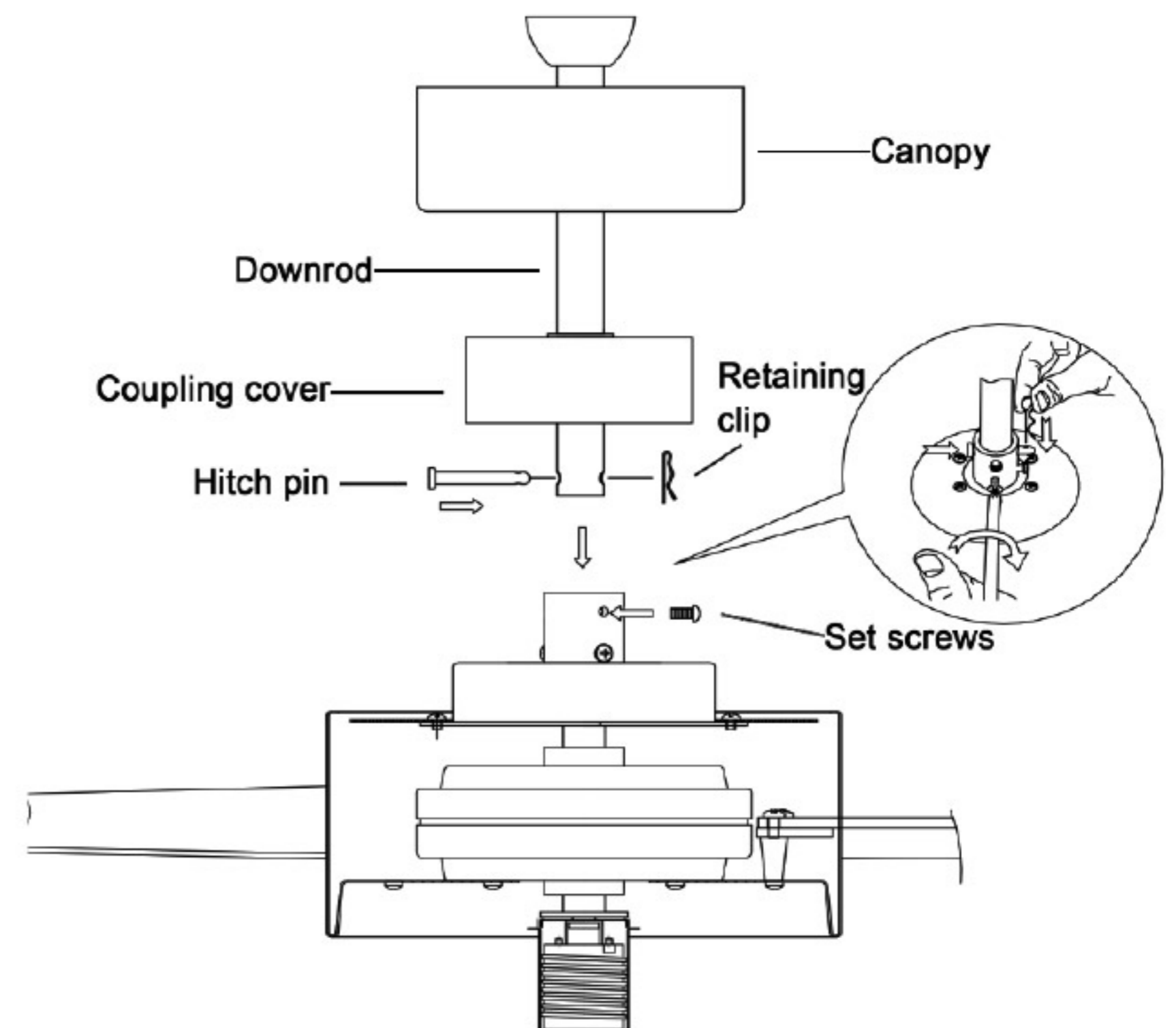


Fig 5



## 6. ELECTRIC CONNECTIONS

**WARNING:** To avoid possible electrical shock, be sure you have turned off the power at the main circuit panel. Follow the steps below to connect the fan to your household wiring. Use the wire connecting nuts provided with your fan. Secure the connectors with electrical tape. Make sure there is no loose wire strand or connection.

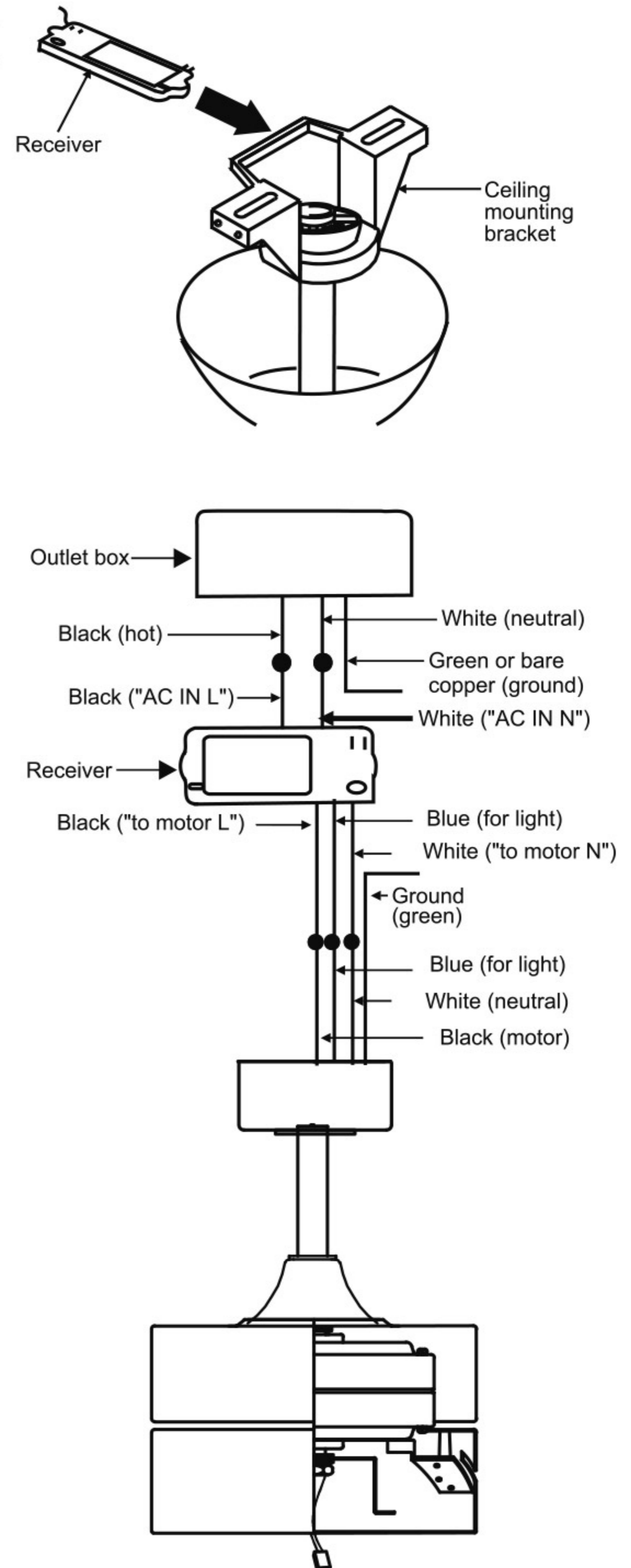
**STEP 1.** Insert the receiver into the ceiling mounting bracket with the .at side of the receiver facing the ceiling. For best performance, make sure the White Antenna, on the end of the receiver, remains extended and not tangled with any of the electrical wires.

**STEP 2.** Motor to Receiver Electrical Connections: Connect the colorful wires (3) from receiver with the colorful lead wires (3) from fan motor, follow the corresponding rules as below: black to black, blue to blue, white to white. Secure each set of wire connections with the wire nuts provided in the parts package.

**STEP 3.** Receiver to Supply Wires Electrical Connections: Connect the black wire from the ceiling outlet box to the black wire marked "AC in L" on the receiver. Connect the white (neutral) wire from the ceiling outlet box to the white wire marked "AC in N" on the receiver. Secure each set of electrical connections with the plastic wire nuts provided in the parts bag.

**STEP 4.** Connect the ground wire (green or bare copper) from the outlet box to the ground wire on the ceiling mounting bracket and the ground wire from the ceiling fan. After finishing all connections, separate the white and green wire connections to one side and the black wire connections to the other side of the outlet box.

**NOTE:** Fan must be installed at a maximum distance of 30 feet from the Hand-held Remote Transmitter for optimal signal transmission between the transmitter and the fan's receiving unit.

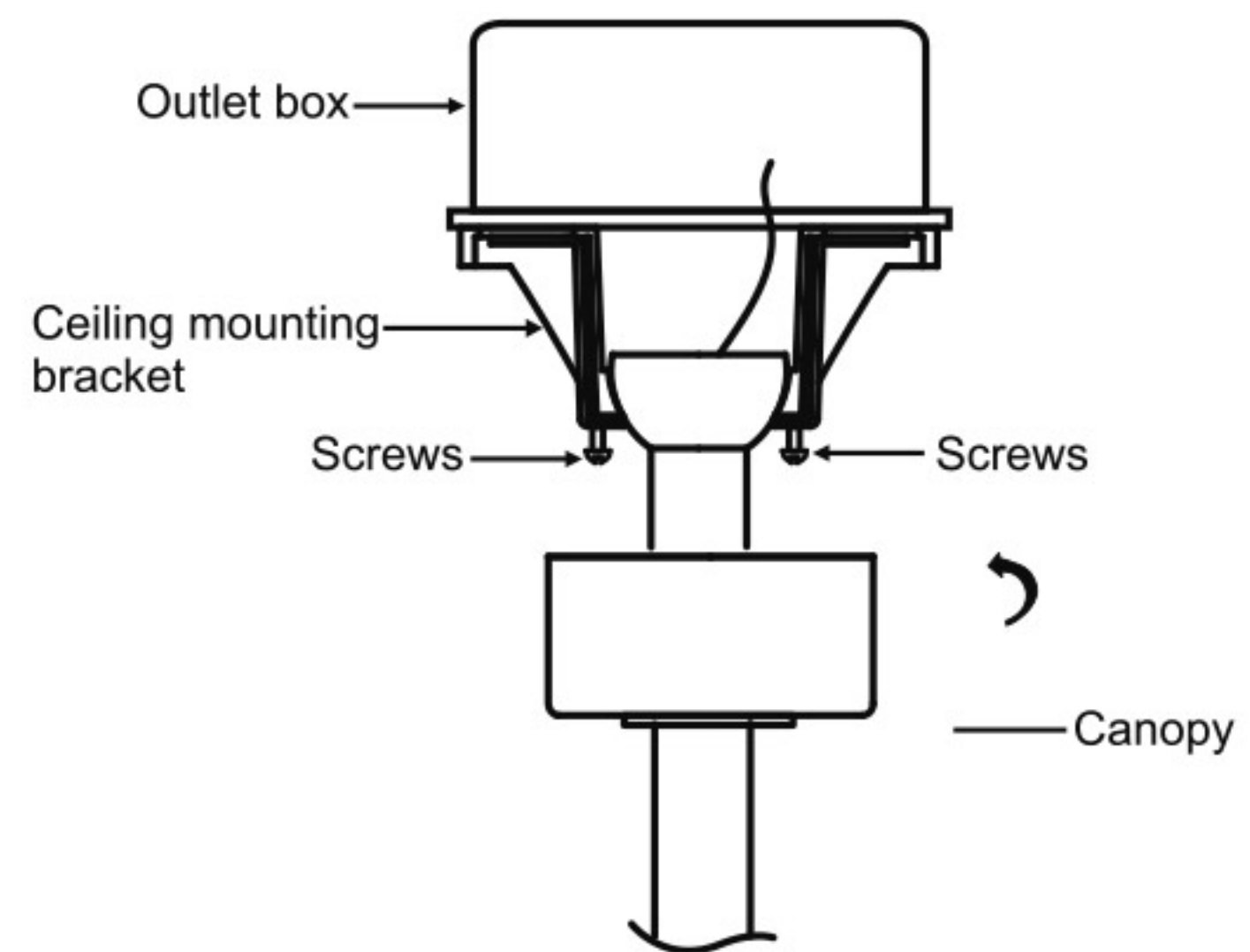


## 7. INSTALL CANOPY

Step 1. Tuck all connections neatly into ceiling outlet box.

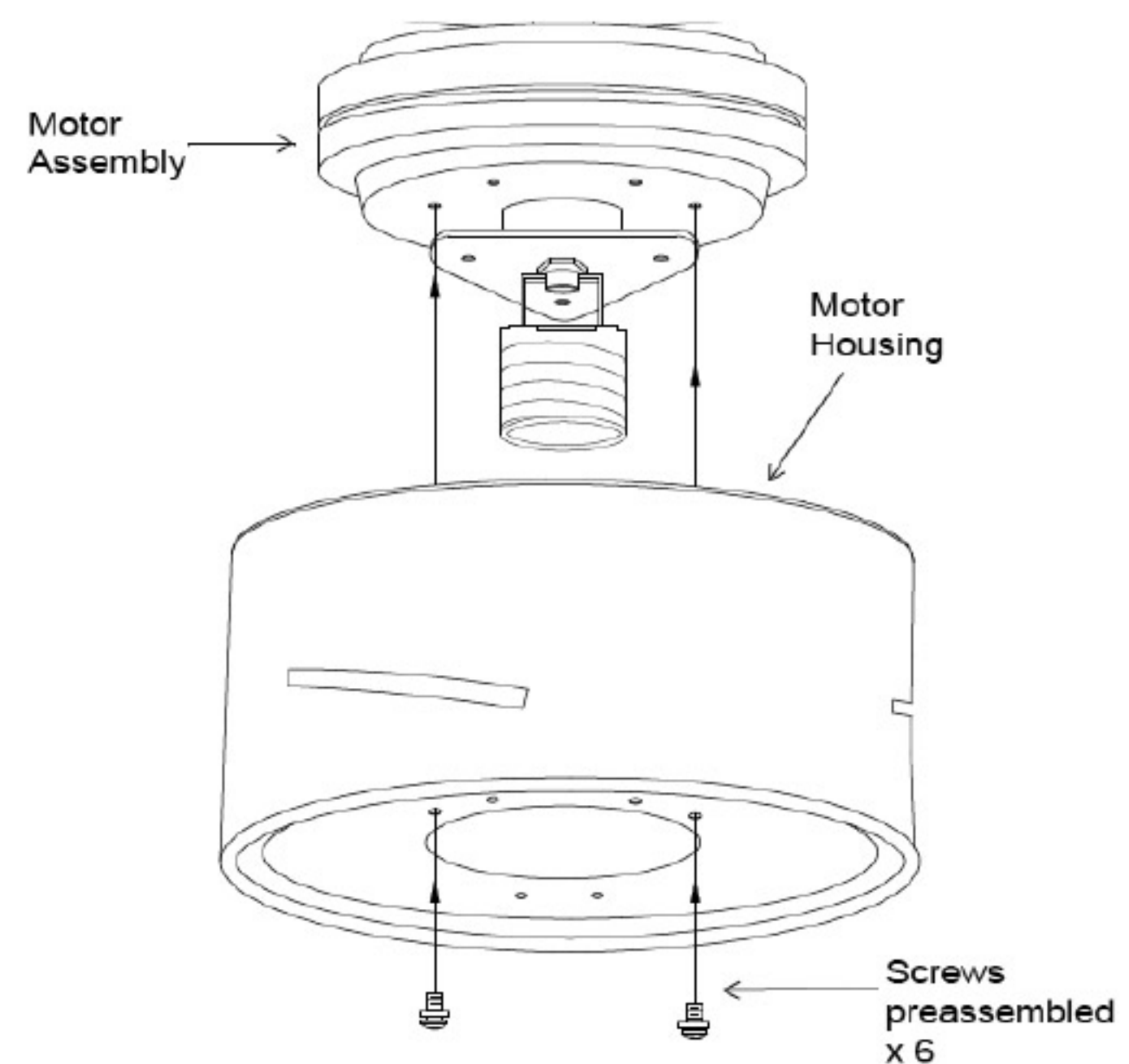
Step 2. Slide canopy up to mounting bracket and place one of key hole slots over the mounting screw on mounting bracket.

Step 3. Rotate canopy until screw head locks in place at narrow section of key hole.

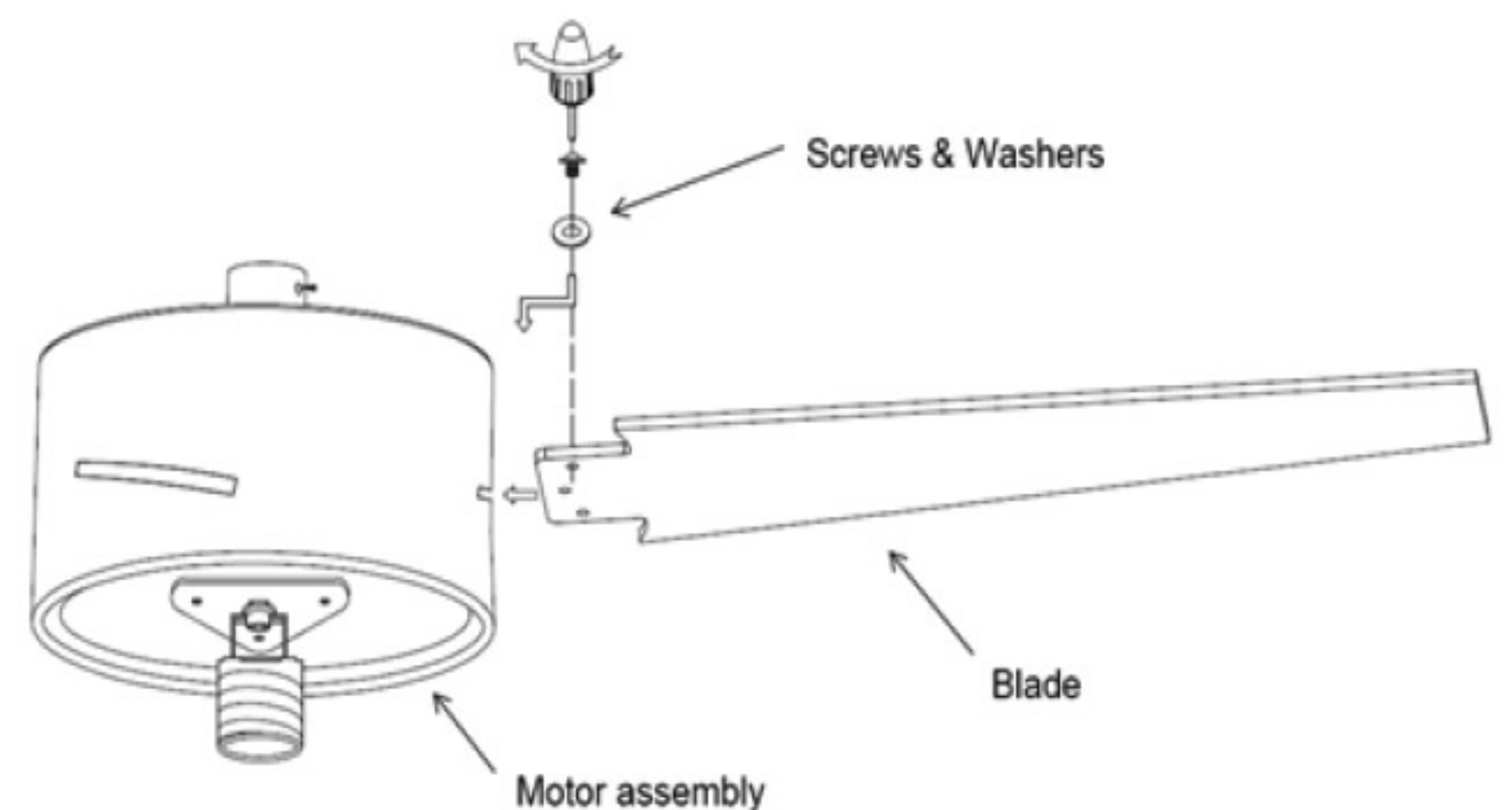


## 8. INSTALL FAN BLADES

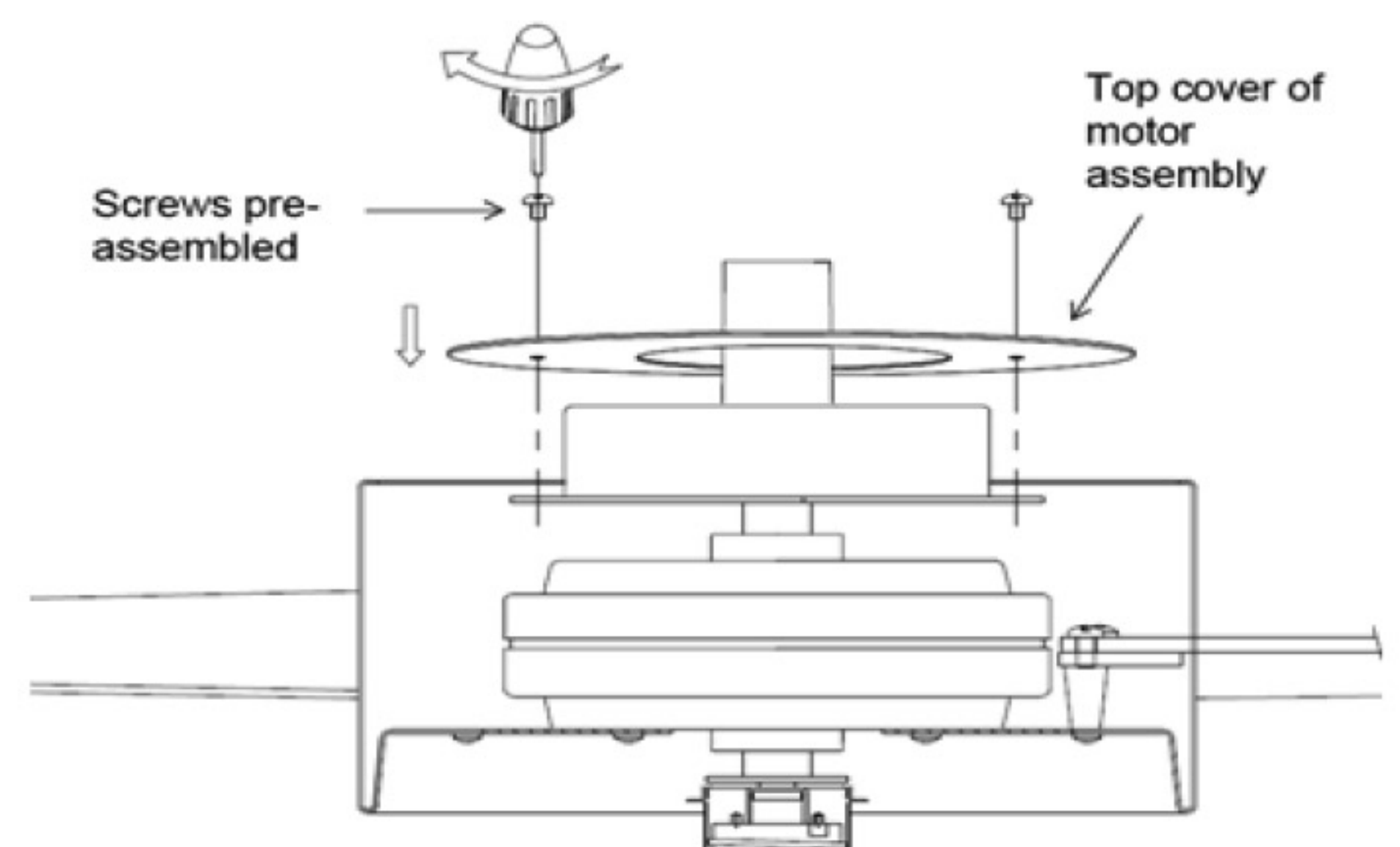
Step 1. Install the motor housing onto the motor assembly with the preassembled 6 screws on motor.



Step 2. Insert the blade through the blade slot in the motor housing. Align holes on blade and blade holder, and secure with the screws & washers provided. Repeat for all three blades.



Step 3. Attach the top plate of the motor assembly to the motor with 3 pre-assembled screws.



---

## 9. INSTALL LIGHT FRAME AND BULB

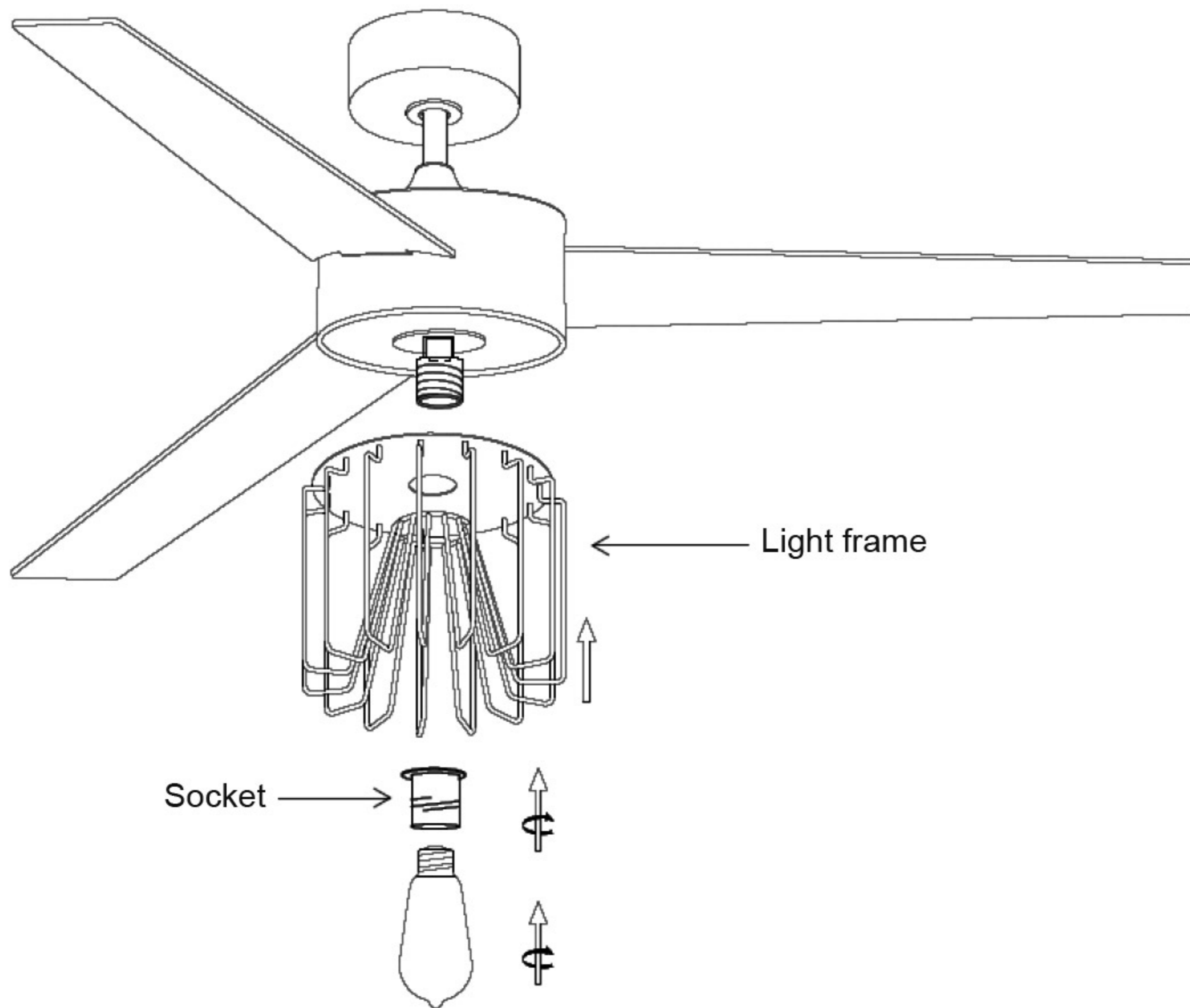
Step 1. Install the light frame to the base plate with the socket.

Step 2. Install 1 X 7 watt LED bulb (provided)

This fixture has been rated for up to one (1) E26 Socket 40-Watt maximum light bulb.

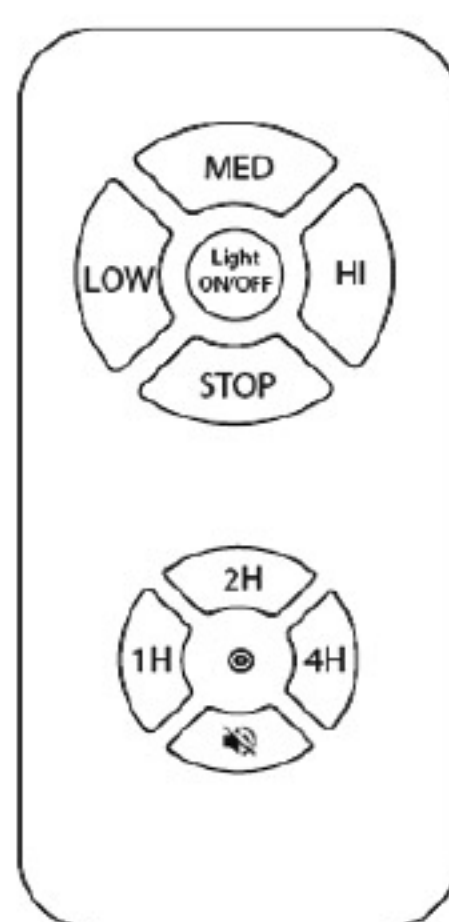
### WARNING:

- Over lamping the fan will result in the fan lights shutting down until the proper wattage of bulbs are installed. Replace bulbs with the correct wattage bulbs, turn the power on.
- Do not replace bulb until it cools down.



## 10. OPERATION FOR REMOTE

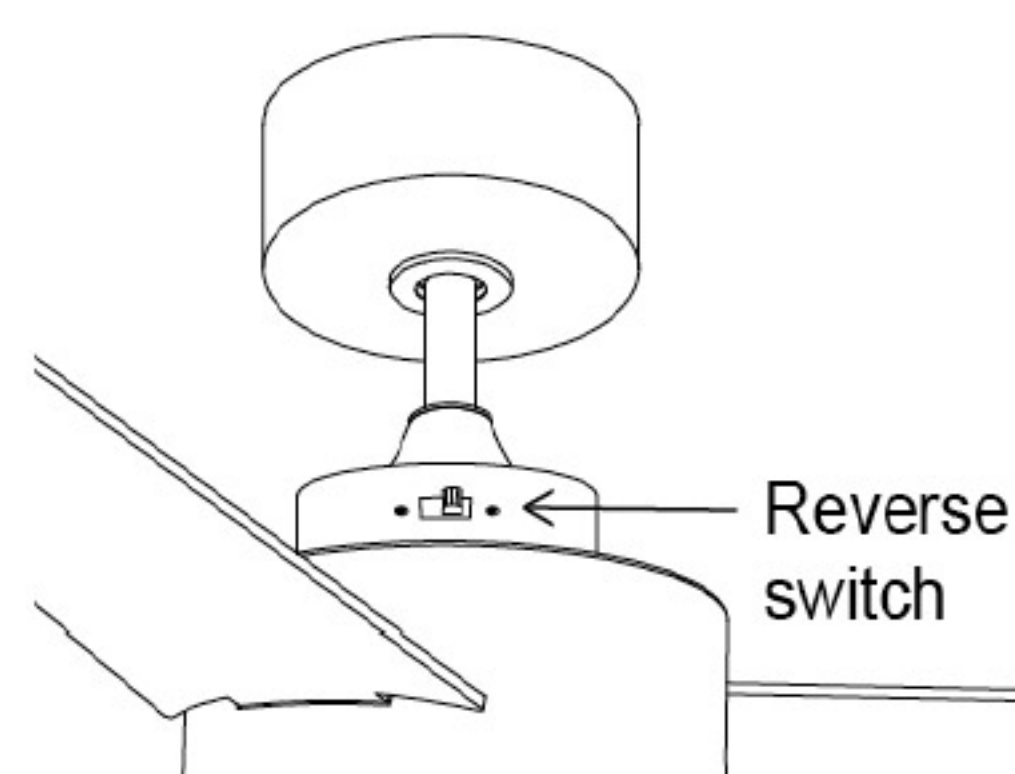
### Button function instruction



LIGHT ON/OFF	Turn on / Turn off light Change color temperature
STOP	Turn off fan
HI	High speed (Speed 3)
MED	Medium speed (Speed 2)
LOW	Low speed (Speed 1)
1H	Timer 1h
2H	Timer 2h
4H	Timer 4h
	Mute sound control
Battery for emitter: 2 x 1.5V AAA	
Install transmitter wall mount holder with two screws.	



### Reverse function



Slide the forward/reverse switch on the wiring box on motor assembly to get desired airflow direction.

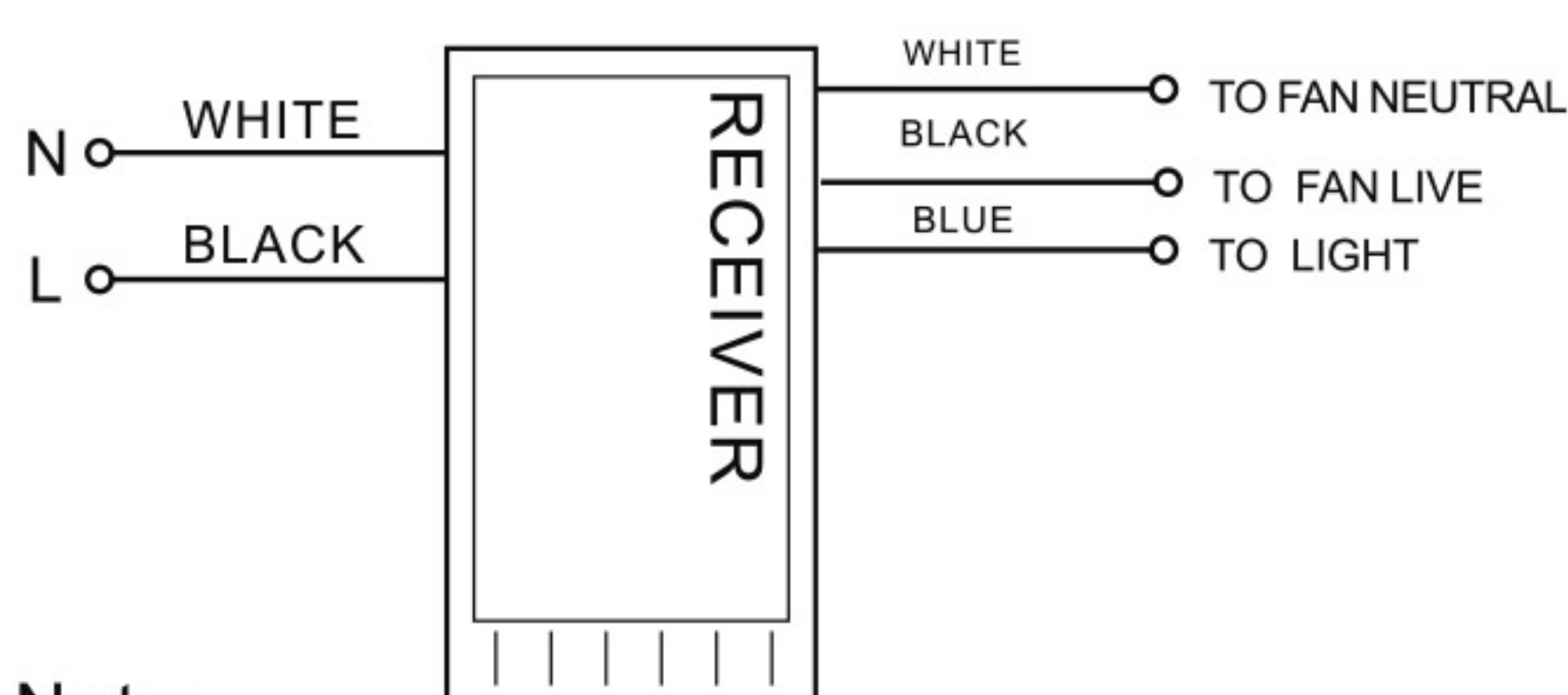
### Color temperature adjustment

This LED Light Source has three color temperatures: 3000K, 4000K, 6000K.

Pressing the LIGHT button on the remote control turns the light on at its default color temperature. To change the color temperature, use the LIGHT button to turn off the LED light panel and then press it again within 5 seconds to turn the light back on at a new color temperature.

Leave the light on for more than 5 seconds before turning it off. The current color temperature will be stored as the new default setting.

### Wiring diagram:



#### Note:

Please connect relevant components strictly following instructions on the label. Otherwise switch life will be influenced directly and the switch will fail to function.

- 1、 The fan switch must be on status, and our product can control fan.
- 2、 When the emitter can not control the receiver, please check whether battery touch is normal, the placed of anode and cathode is correct and power is enough.
- 3、 Please use product in allowable voltage, it is not normal if the voltage is too low. (Please check the label for voltage range and correlative technique parameter.)
- 4、 When the emitter can not control the receiver, please check if there are similar remote control products existing in the nearby range, and check whether their launcher buttons are pressed, because remote control products with the same properties launching electric wave at the same time, will cause mutual interference and influence the receiving effect; and that will be normal again after the remote control function is eliminated. (Exclude the remote control)
- 5、 Please take out the batteries when not use in a long time.
- 6、 Requirements for each load: bulb  $\leq$  300W; fan  $\leq$  120W.

## 11. TROUBLESHOOTIN

Problem	Solution
Fan will not start.	<ol style="list-style-type: none"> <li>1. Check circuit fuses or breakers</li> <li>2. Check all electrical connections to insure proper contact. <b>CAUTION:</b> Make sure the main power is OFF when checking any electrical connection.</li> </ol>
Fan sounds noisy.	<ol style="list-style-type: none"> <li>1. Make sure all motor housing screws are snug.</li> <li>2. Make sure the screws that attach the fan blade brackets to the motor are tight.</li> <li>3. Make sure wire nut connections are not rubbing against each other or the interior wall of the switch housing. <b>CAUTION:</b> Make sure main power is off.</li> <li>4. Allow a 24-hour "breaking-in" period. Most noise associated with a new fan disappear during this time.</li> <li>5. If using an optional light kit, make sure the screws securing the glassware are tight. Check that the light bulb is also secure.</li> <li>6. Some fan motors are sensitive to signals from solid-state variable speed controls. If you have installed this type of control, choose and install another type of control.</li> <li>7. Make sure the upper canopy is a short distance from the ceiling. It should not touch the ceiling.</li> </ol>
Fan wobble.	<ol style="list-style-type: none"> <li>1. Check that all blade and blade arm screws are secure.</li> <li>2. Most fan wobbling problems are caused when blade levels are unequal. Check this level by selecting a point on the ceiling above the tip of one of the blades. Measure this distance. Rotate the fan until the next blade is positioned for measurement. Repeat for each blade. The distance deviation should be equal within 1/8".</li> <li>3. Use the enclosed Blade Balancing Kit if the blade wobble is still noticeable.</li> <li>4. If the blade wobble is still noticeable, interchanging two adjacent (side by side) blades can redistribute the weight and possibly result in smoother operation. <b>WARNING:</b> TO REDUCE THE RISK OF PERSONAL INJURY, DO NOT BEND THE BLADE ARM WHILE INSTALLING, BALANCING THE BLADES, OR CLEANING THE FAN. DO NOT INSERT FOREIGN OBJECTS BETWEEN ROTATING FAN BLADES.</li> </ol>
Fan not control.	<p>Programming code marching mode is used between emitter and receiver, Turn "ON" the supply power within 30 seconds and press the emitter's "STOP" button for 5 seconds, after hearing a long sound "BEE", press "1H" button. It can load normally after hearing the "BEE" which means programming successfully and it can works normally. (PS: Programming mode is not accepted after turn "ON" the supply power for 30 seconds)</p>

## 12. CUSTOMER SERVICE

Thanks for your purchase. Any questions please don't hesitate to contact us; we'll resolve all your problem ASAP. Customers are always the best teachers for us to keep growing!

Should you have any questions or concerns,

please do not hesitate to contact us by emailing: [support@ledelinc.com](mailto:support@ledelinc.com)