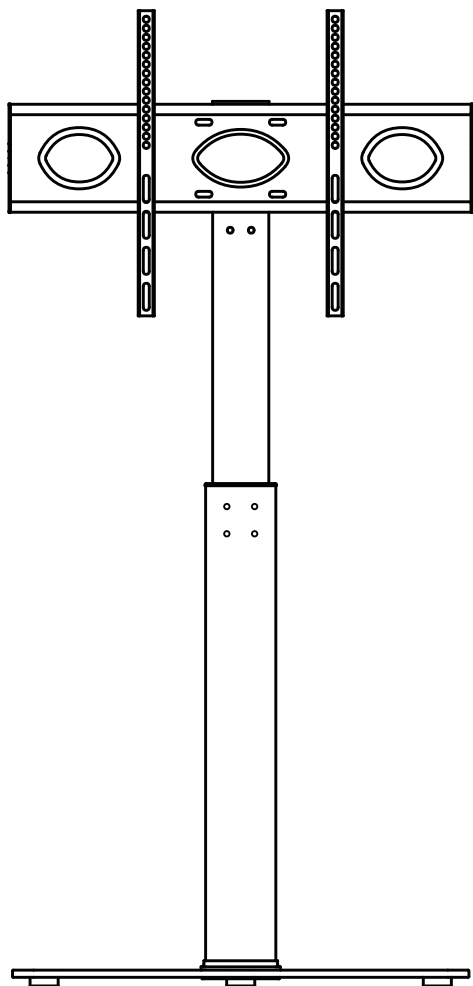


INSTALLATION NOTE MANUAL



NOTE: The difference in appearance between mount will not affect the assembly and usage.

THANK YOU FOR PURCHASING

SERVICE CARD

We strive to make sure each furniture you received is perfect, all parts and hardware in the parts list are included in your package. However, if any lack or damaged of components, please do not return the product directly to any local store, feel free to contact us, we will do our best to solve your problem and send the replacement parts to you as soon as possible from our local customer service center.

Please provide following information before you contact us.
Your detail information will help us to bring you a much faster and effective service.
Thank you for your kindly understanding and patience!

1. **Order ID.** -in your order details in online shopping platform.
Model No. - lower left corner on manual first page, or SKU no. in order details.
Series No. - lower right corner on manual first page.
2. Shopping platform you place the order or Others
3. Inform your problem and advices to us to make good solutions.

NOTICE



Please read this assembly manual carefully and make sure you have all the parts in the list before you begin to install.
Meanwhile, please keep this assembly manual for future reference.



Please move the furniture gently with 2 persons.



Please protect the furniture by placing all parts on a soft surface during assembly.



Please don't place very warm/cold objects on top of any surface, clean immediately with microfiber cleaning cloths/towels if any liquids on the surface.
Never use multi-surface furniture polish spray or cleaner.
Do not touch the surface with a hard/acute object that may cause scratch or broken.



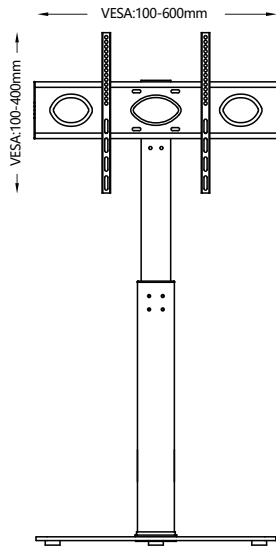
Adult supervision required. Keep little parts of furniture far away from the children.

Do not allow children to climb onto the furniture.
Improper use or incorrect assembly may cause death or serious injury.
Use extra safety straps to ensure the best tip-over protection.

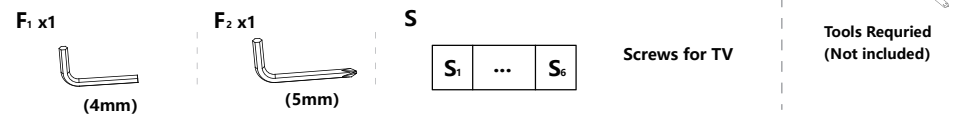
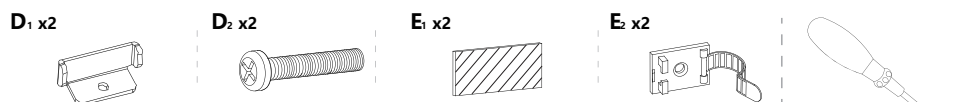
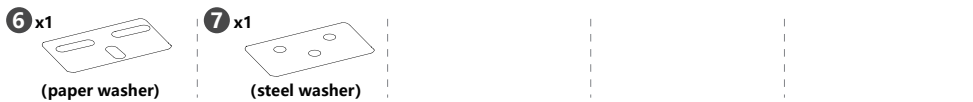
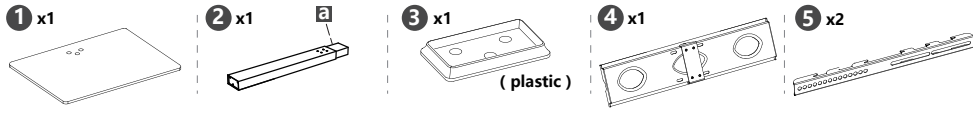
Do not use this product for any purpose or in any configuration not explicitly specified in this instruction.

We hereby disclaim any liability for injury or damage arising from incorrect assembly, incorrect mounting, or incorrect use of this product.

PRODUCT DESCRIPTION



PARTS LIST



MEASURE VESA FOR YOUR TV

1. What does the standard mean?

The standard is a standard for attaching flat screens / LCD / monitors / televisions to monitor mounts or TV mounts.

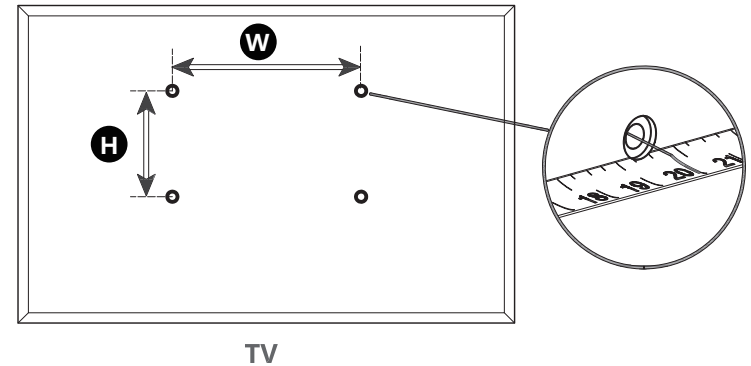
Prerequisite is that both the monitor / TV and the monitor mount have the same standard.

2. Look at the back of your TV/monitor for threaded holes.

Measure the horizontal distance **W** and vertical distance **H** of the screw holes (center to center).

W x **H** should comply with the standard of TV stand listed in below sheet.

Notice: If the TV/monitor is not compatible with , it can still be attached to the desired bracket by using Adapters(not included and should extra buy).



TV

Units: mm

W	x	H	
100	x	100	<input checked="" type="checkbox"/>
200	x	100	<input checked="" type="checkbox"/>
200	x	200	<input checked="" type="checkbox"/>
300	x	200	<input checked="" type="checkbox"/>
300	x	300	<input checked="" type="checkbox"/>
400	x	300	<input checked="" type="checkbox"/>
400	x	200	<input checked="" type="checkbox"/>
400	x	400	<input checked="" type="checkbox"/>
600	x	200	<input checked="" type="checkbox"/>
600	x	400	<input checked="" type="checkbox"/>

Units: inch




W	x	H	
4.0	x	4.0	<input checked="" type="checkbox"/>
7.9	x	4.0	<input checked="" type="checkbox"/>
7.9	x	7.9	<input checked="" type="checkbox"/>
11.8	x	7.9	<input checked="" type="checkbox"/>
11.8	x	11.8	<input checked="" type="checkbox"/>
15.7	x	11.8	<input checked="" type="checkbox"/>
15.7	x	7.9	<input checked="" type="checkbox"/>
15.7	x	15.7	<input checked="" type="checkbox"/>
23.6	x	7.9	<input checked="" type="checkbox"/>
23.6	x	15.7	<input checked="" type="checkbox"/>

VESA standard of TV STAND

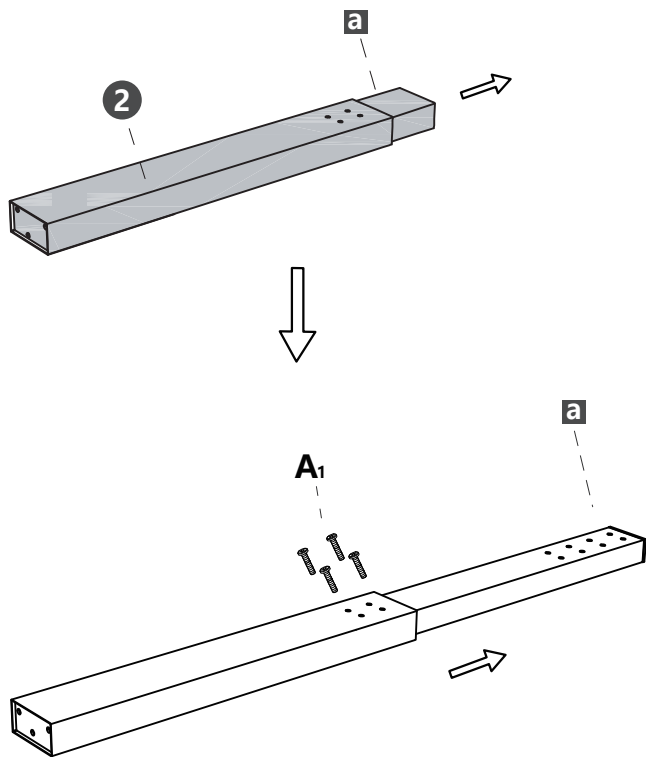


Please check the weight of your display, it should be less than 110lbs/50kgs.



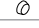





1

2		x1
A	A ₁ 	x4
F	F ₁ 	

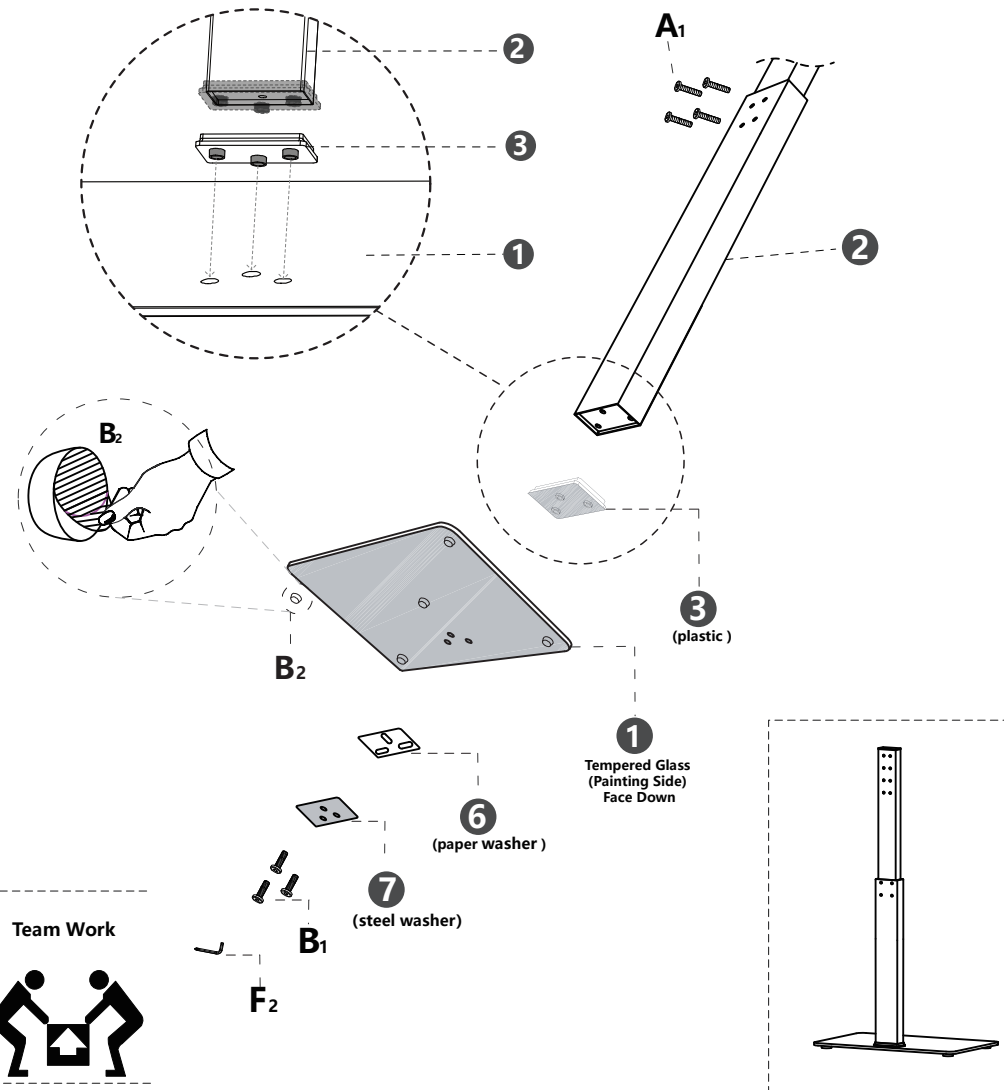
Pull out the inner metal pole **a** from part **2**.



2

B	B ₁ 	x3	1		x1
	B ₂ 	x5	6		x1
A	A ₁ 	x4	7		x1
F	F ₂ 		3		x1

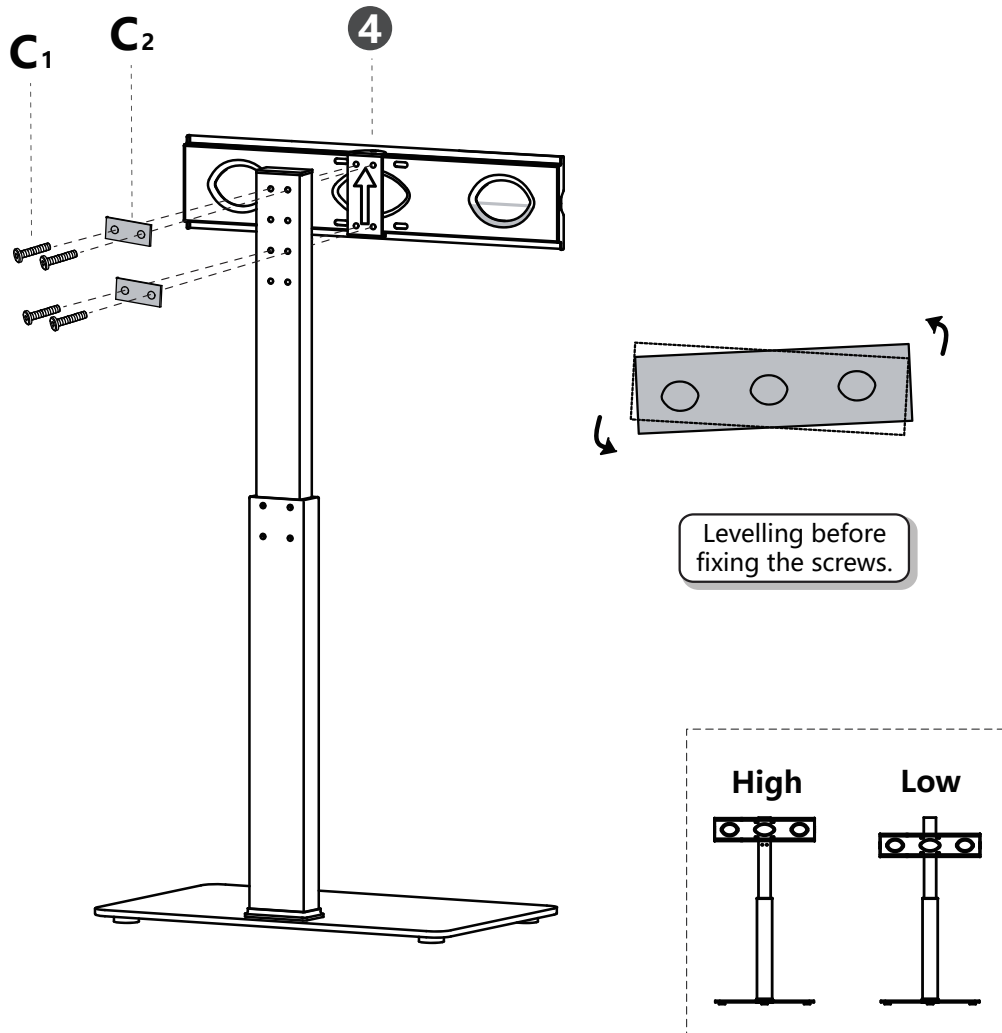
1. Please do not fully tighten before screwing into the right holes.
2. The three protrusions of part **3** are assembled towards part **1**.



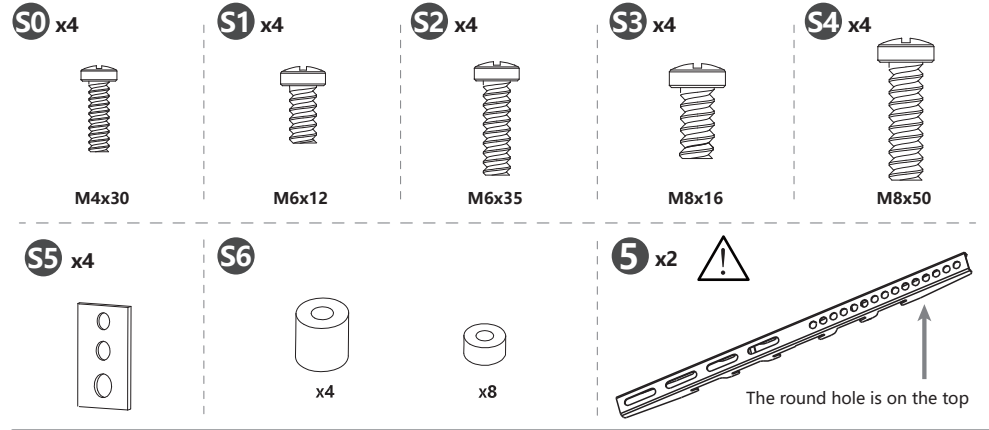
3

4		x1
C	C ₁	x4
	C ₂	x2
F	F ₁	x2

Please do not fully tighten before screwing into the right holes.

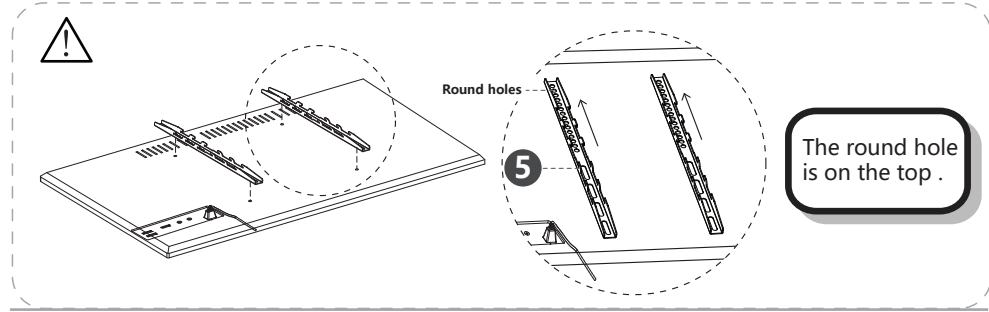
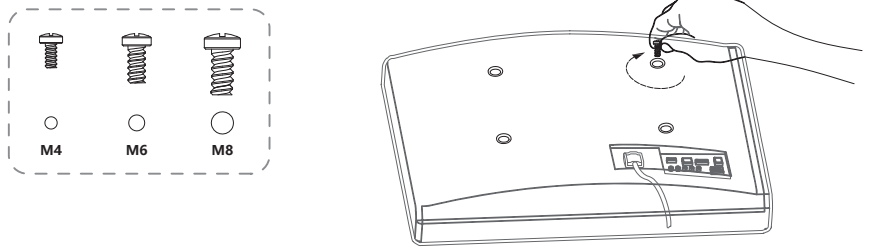


4



STEP 1 Select TV Screw Diameter

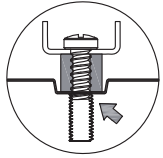
Please make sure the diameter of the screw S0-S4 are suitable for your TV.



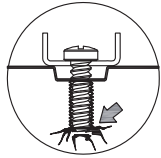
STEP 2

Select TV Screw Length

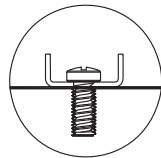
When attaching brackets to the TV, be careful not to over tighten screws and be sure that screws don't bottom out in the mounting holes. Please make sure the length of thread engagement at least 6 turns or 5/16 inch (8mm).



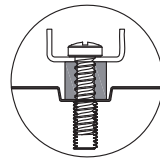
⊗ Too Short



⊗ Too long



✓ Correct

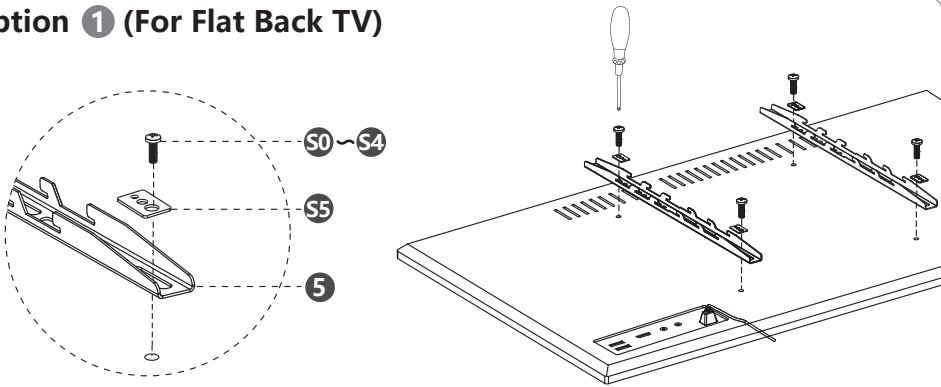


✓ Correct

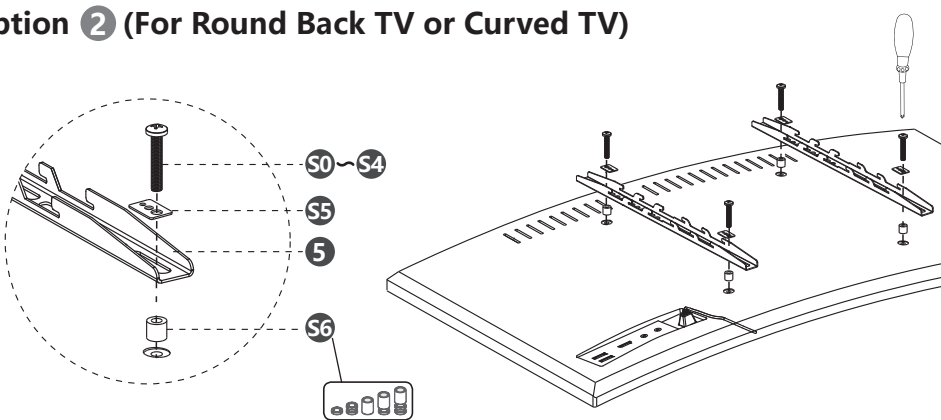
STEP 3

Select installation method according to TV

Option 1 (For Flat Back TV)

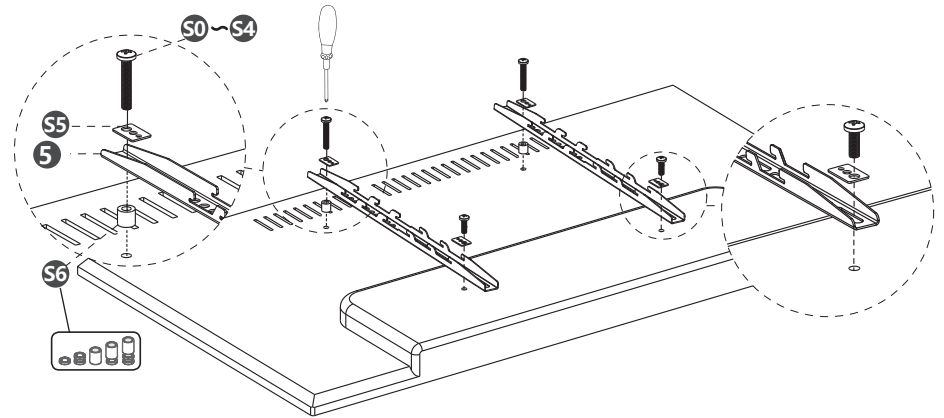


Option 2 (For Round Back TV or Curved TV)



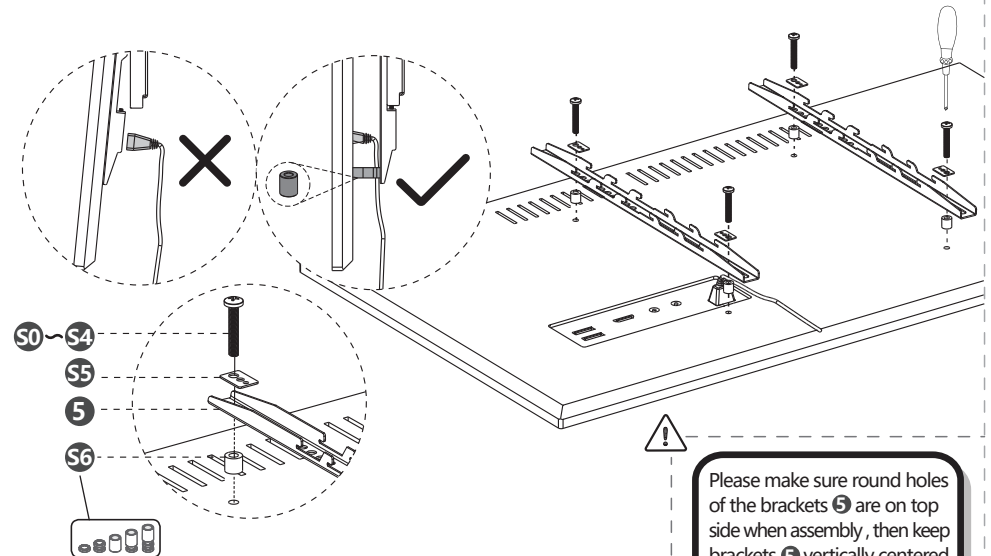
Option 3 (For TV with A "Bump")

Spacers may be necessary for 2 holes ONLY.



Option 4 (Potential Cable Blockage)

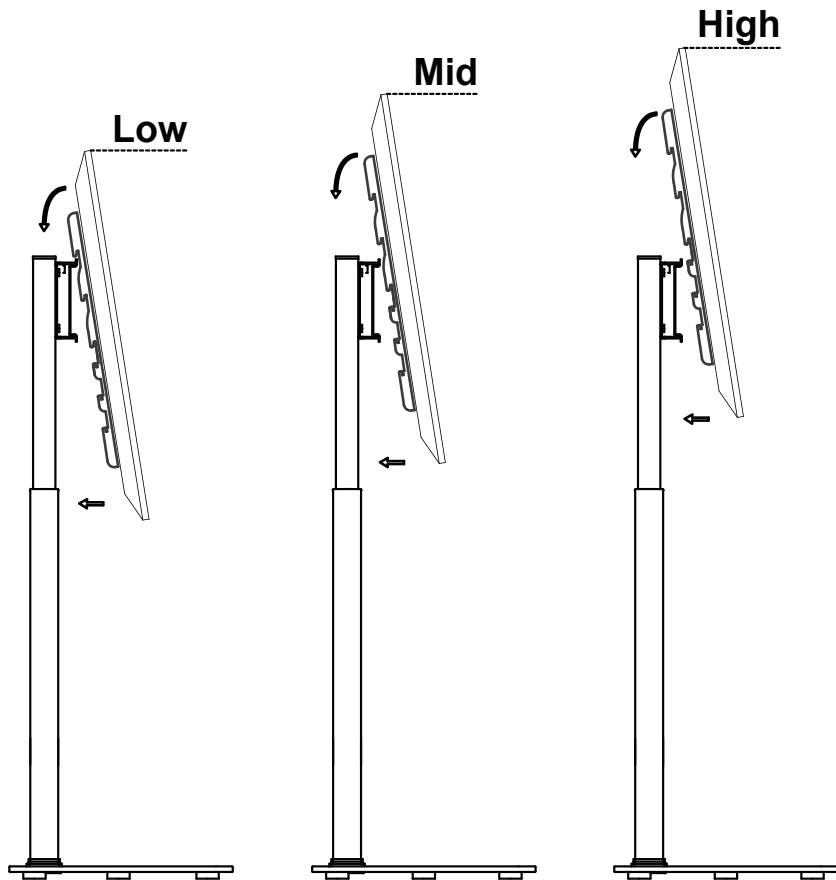
Spacers may be necessary when cables or plug/outlets are blocked by brackets.





⚠ Please make sure round holes of the brackets 5 are on top side when assembly, then keep brackets 5 vertically centered and level with each other.

5

Attach your TV to TV plate ④, select the best height by yourself.

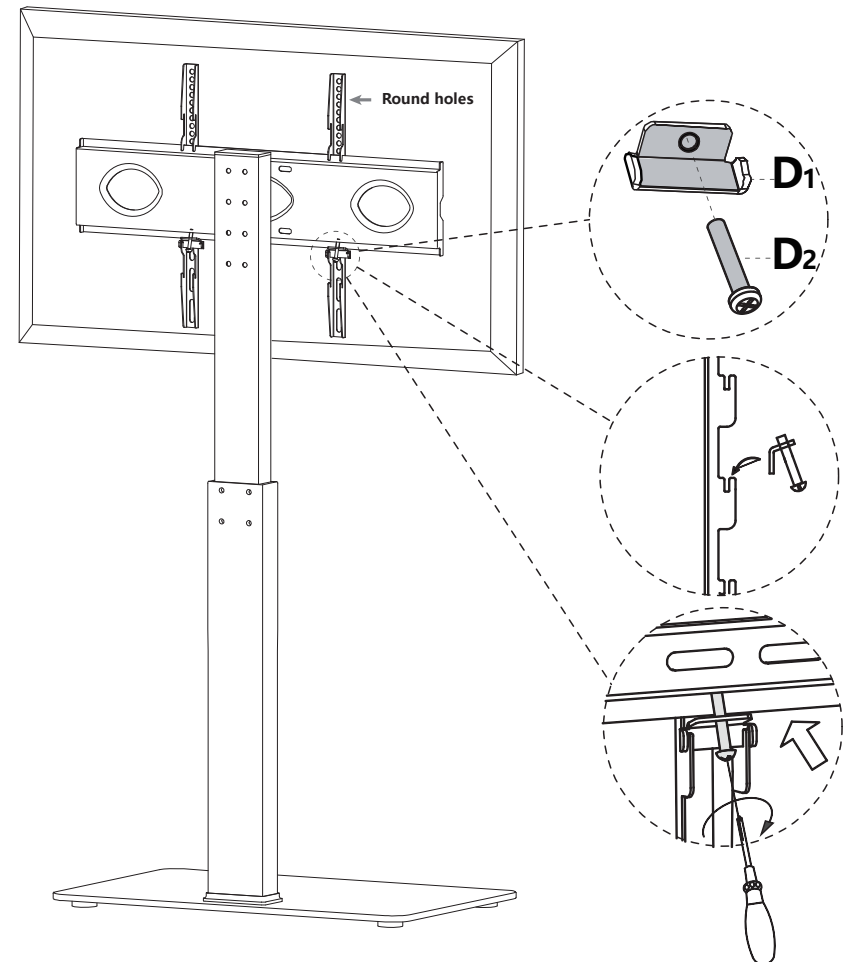


6



D	D ₁		x2
	D ₂		x2

Insert Safety lock **D₁** and **D₂** in the bottom of brackets ⑤ and tighten the screws **D₂**, Please lock your TV before using.

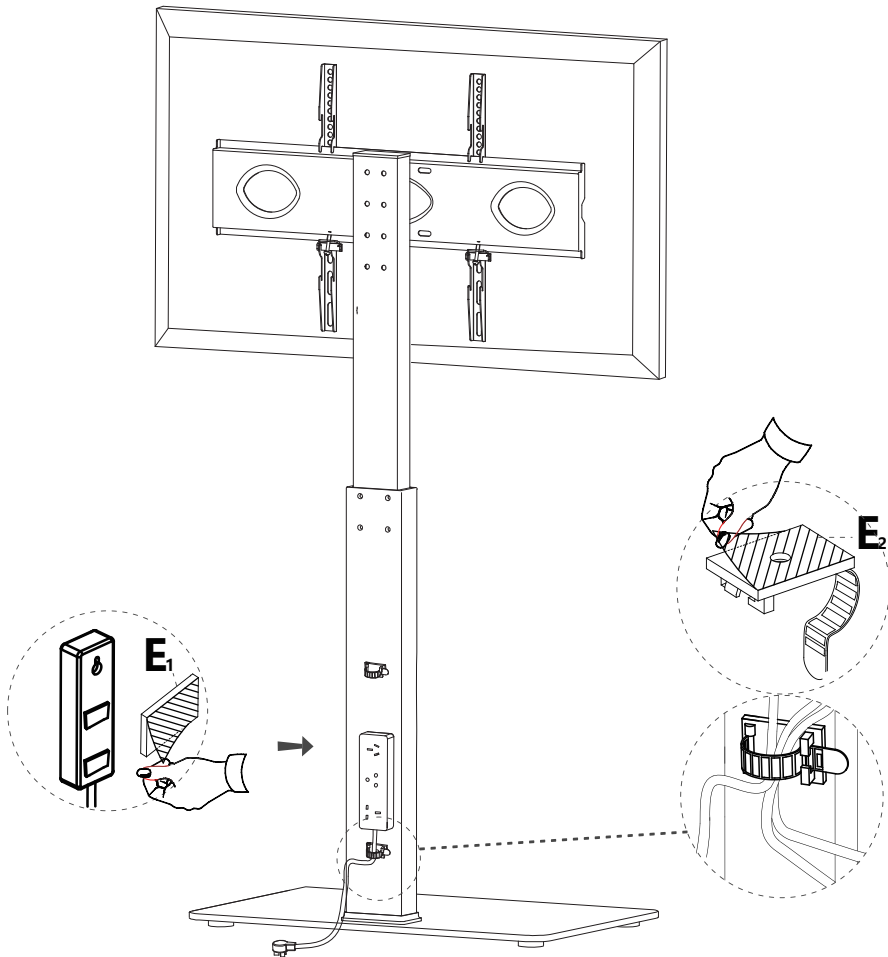
Notice: Please don't over tighten the screw **D₂**, overtighten may cause **D₁** broken.



7

E	E ₁		x2
	E ₂		x2

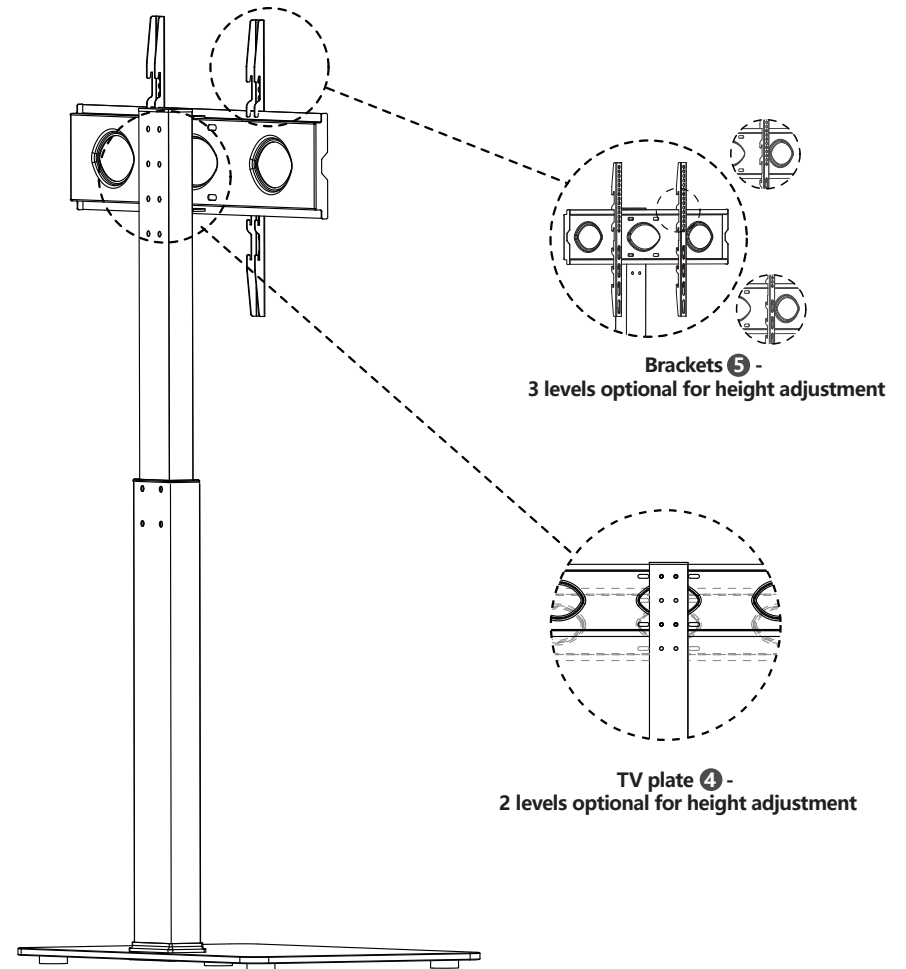
E₁ are selected to use if you need to stick the power strip to metal pole.



USERS GUIDELINE

Stand Height Adjustment - TV Plate/Brackets

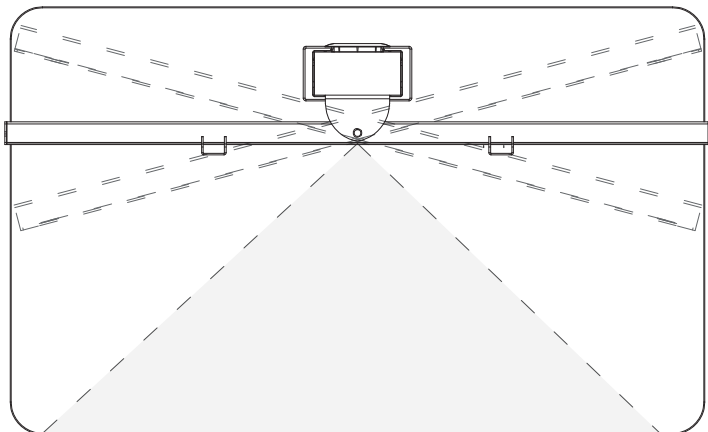
- 1、 Please take off the TV from the stand then select the proper height by yourself.
- 2、 Each level adjustment distance in TV plate / bracket is 50 mm (2 inch).
- 3、 Attach the TV to the TV plate ④ again and tighten the safety screws D₂ on the bottom of brackets to secure the TV to the stand.



View Angle Adjustment

TV plate ④ can swivel left and right 30 degrees in each side to provide you a wide-range viewing angles when watch the TV.

Notice - Swivel function is manual not automatic.
Base is not turntable.



Swivel: $\pm 30^\circ$

