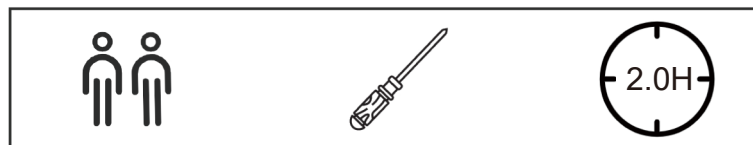
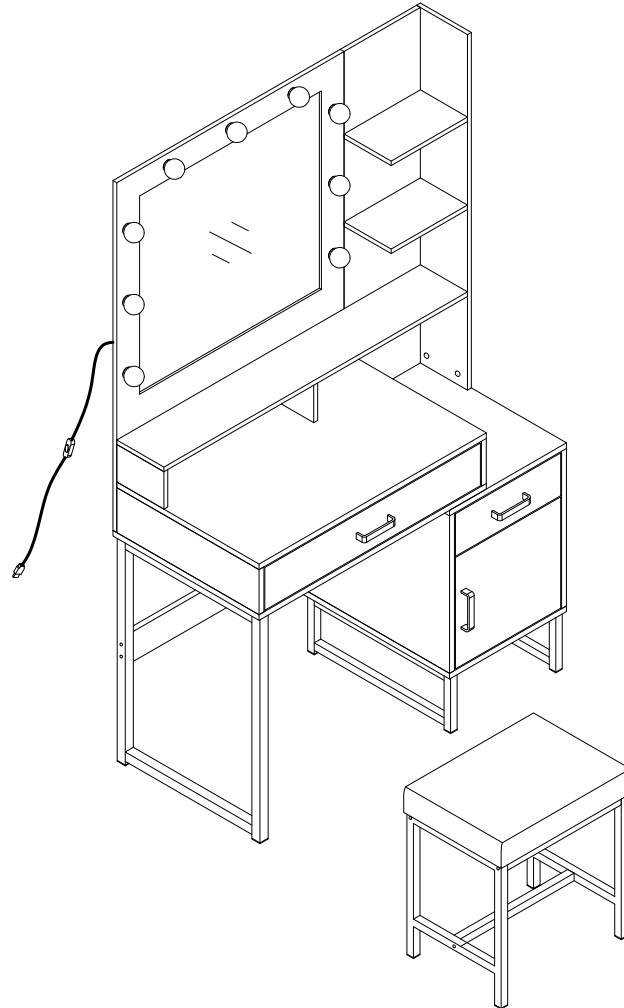


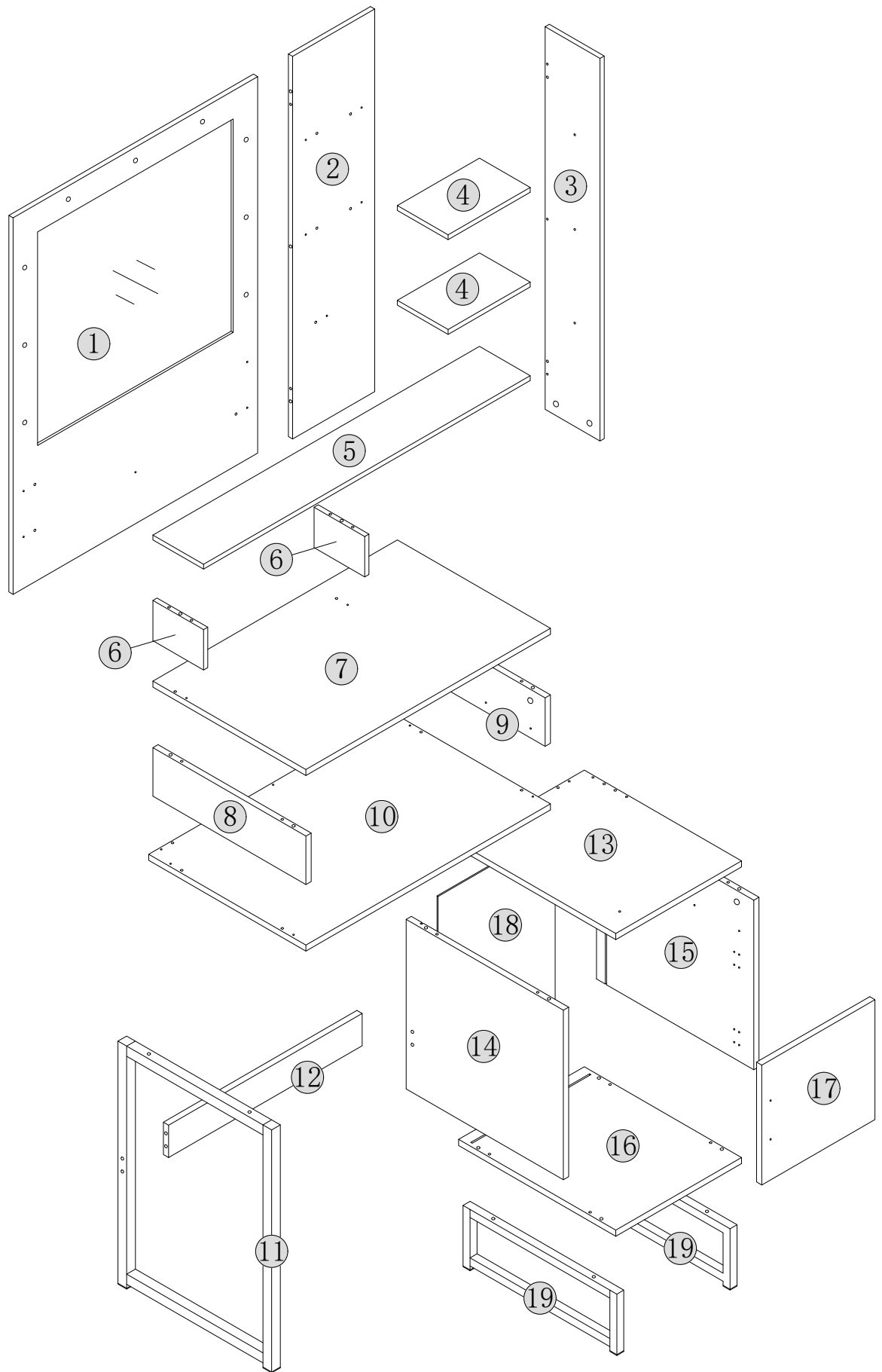
NFE002

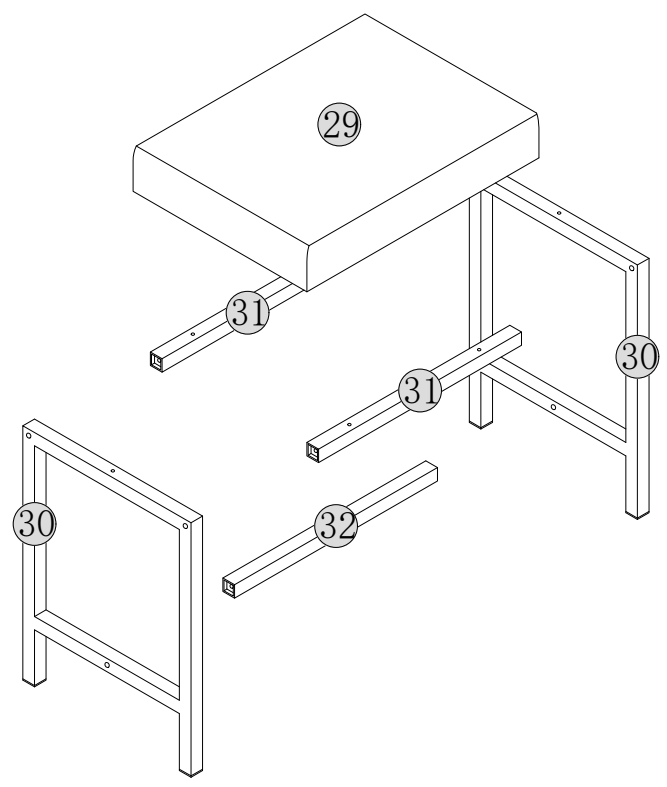
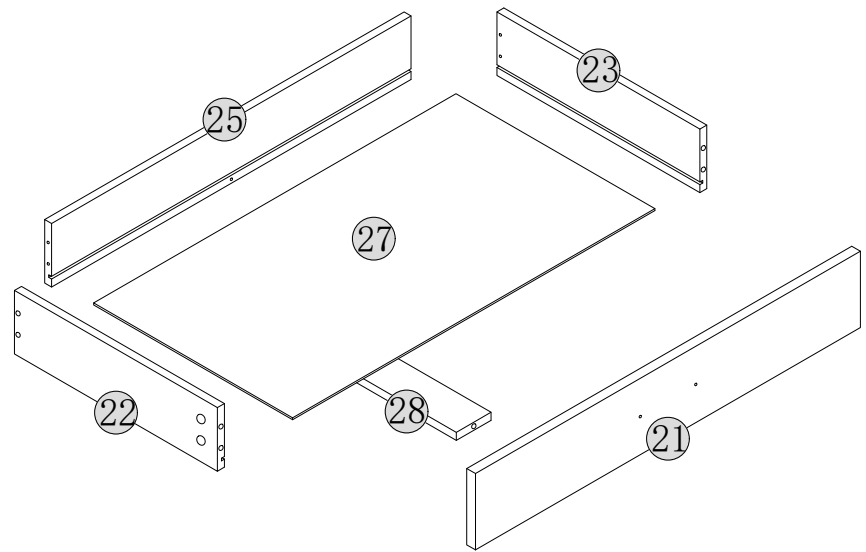
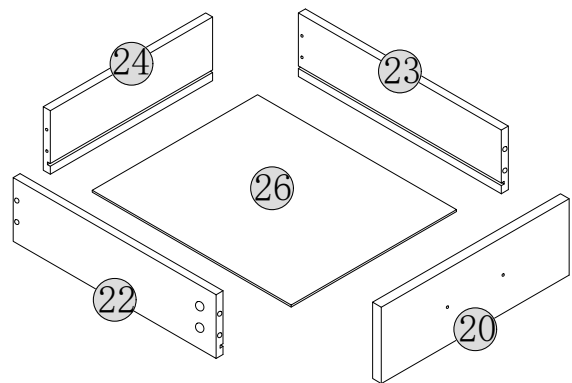


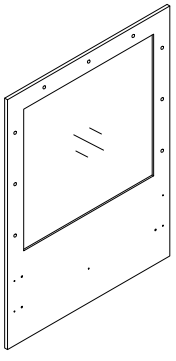


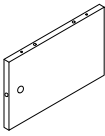
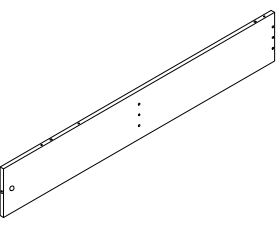
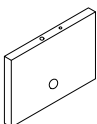
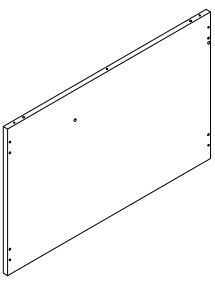
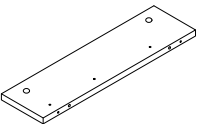
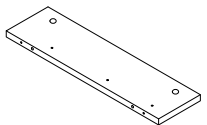
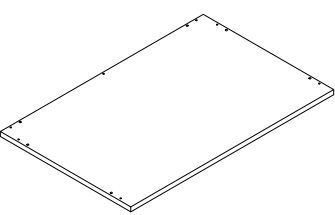
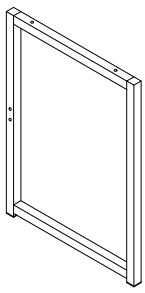
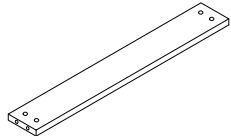
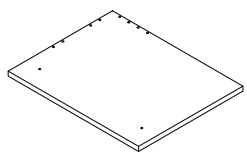
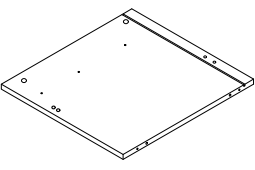
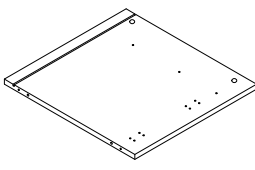
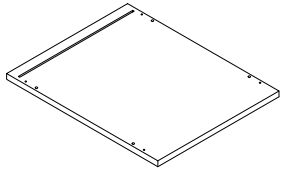
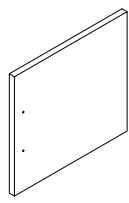
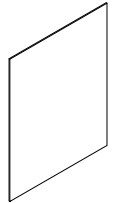
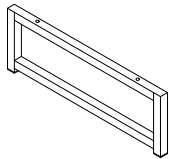
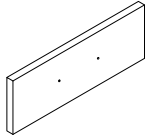
CAUTION:When tightening the screws , tighten sequentially. Do not tighten any screws fully and then towards the next one.when every part is OK, then tighten all the screws.

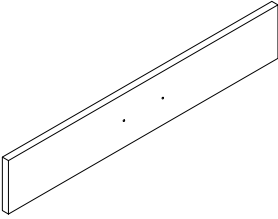
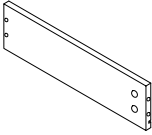
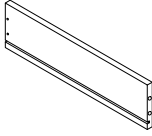
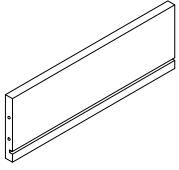
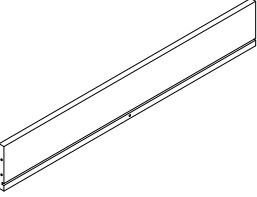
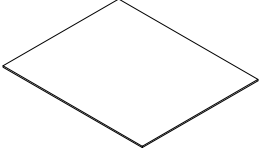
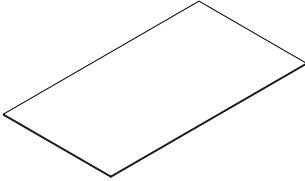
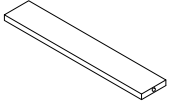
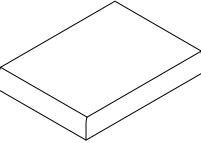
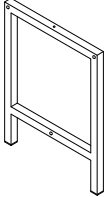
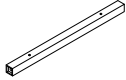
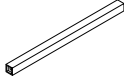


PLEASE BE CAREFUL DO NOT DAMAGE THE HOLE POSITION WHEN YOU USE POWER TOOLS !





<p>①</p>  <p>1PC</p>	<p>②</p>  <p>1PC</p>	<p>③</p>  <p>1PC</p>	<p>④</p>  <p>2PCS</p>
<p>⑤</p>  <p>1PC</p>	<p>⑥</p>  <p>2PCS</p>	<p>⑦</p>  <p>1PC</p>	<p>⑧</p>  <p>1PC</p>
<p>⑨</p>  <p>1PC</p>	<p>⑩</p>  <p>1PC</p>	<p>⑪</p>  <p>1PC</p>	<p>⑫</p>  <p>1PC</p>
<p>⑬</p>  <p>1PC</p>	<p>⑭</p>  <p>1PC</p>	<p>⑮</p>  <p>1PC</p>	<p>⑯</p>  <p>1PC</p>
<p>⑰</p>  <p>1PC</p>	<p>⑱</p>  <p>1PC</p>	<p>⑲</p>  <p>2PCS</p>	<p>⑳</p>  <p>1PC</p>

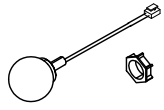
<p>②1</p>  <p>1PC</p>	<p>②2</p>  <p>2PCS</p>	<p>②3</p>  <p>2PCS</p>	<p>②4</p>  <p>1PC</p>
<p>②5</p>  <p>1PC</p>	<p>②6</p>  <p>1PC</p>	<p>②7</p>  <p>1PC</p>	<p>②8</p>  <p>1PC</p>
<p>②9</p>  <p>1PC</p>	<p>③0</p>  <p>2PCS</p>	<p>③1</p>  <p>2PCS</p>	<p>③2</p>  <p>1PC</p>



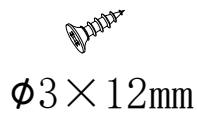
A×32 +1



B×9



C×24 +1



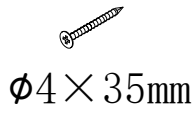
D×38 +1



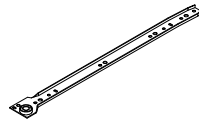
E×32 +1



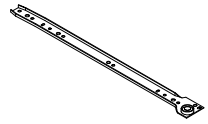
F×23 +1



G×2



H×2



I×2



J×1



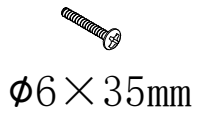
K×4



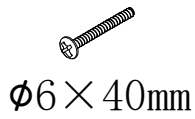
L×4



M×6



N×6



O×2



P×12+1



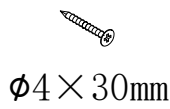
Q×3



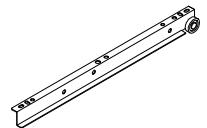
R×6



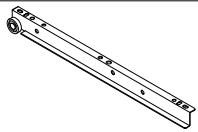
S×15 +1



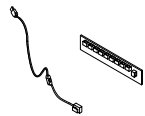
T×2



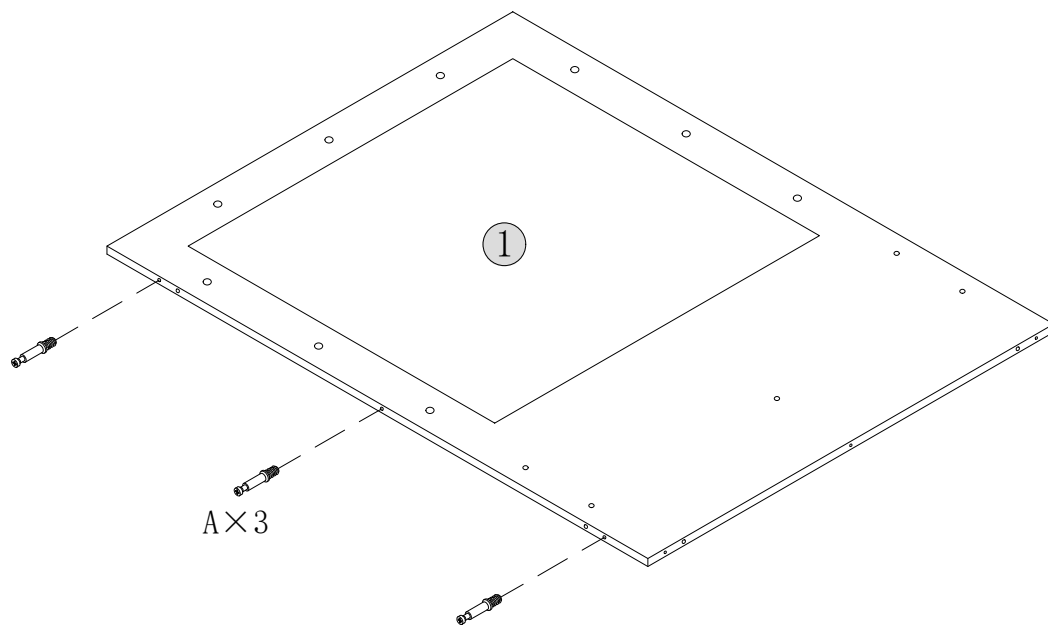
U×2



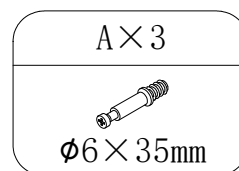
V×1



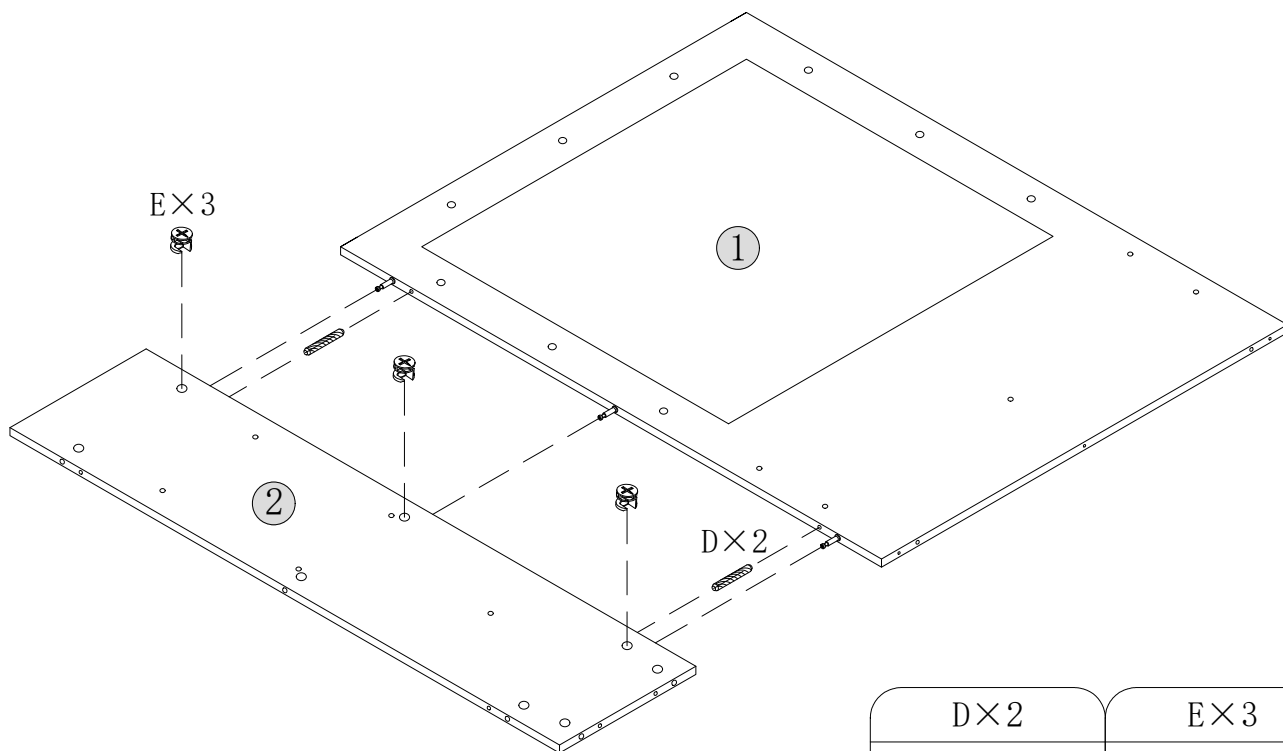
1



A x 3

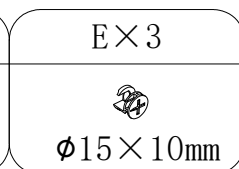
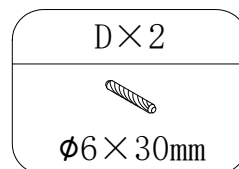


2

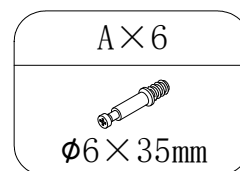
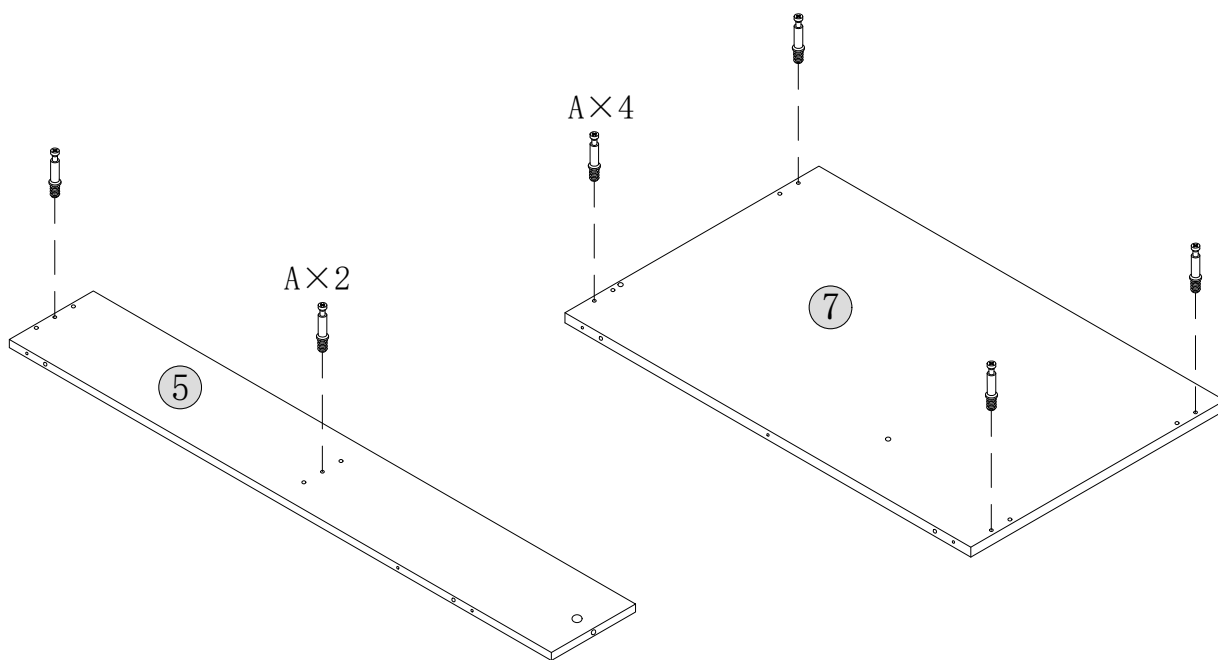


E x 3

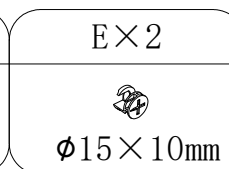
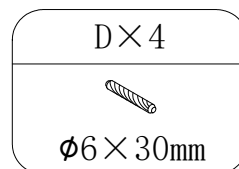
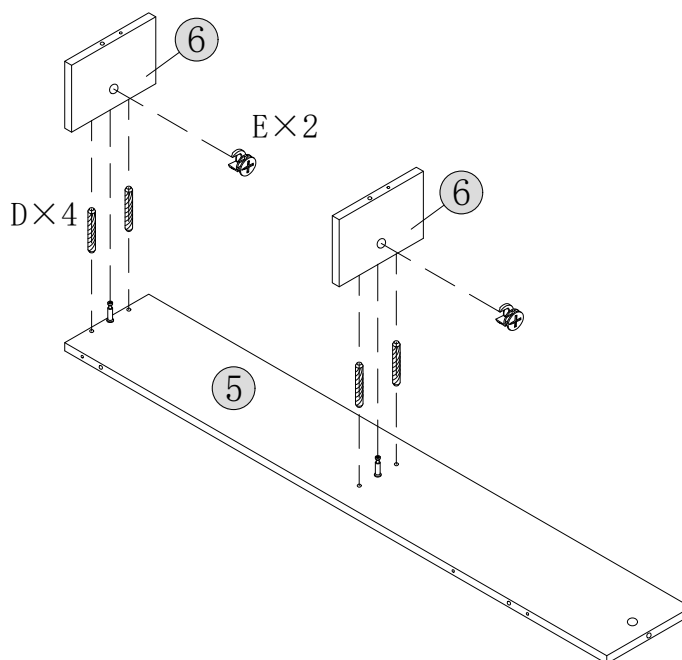
D x 2



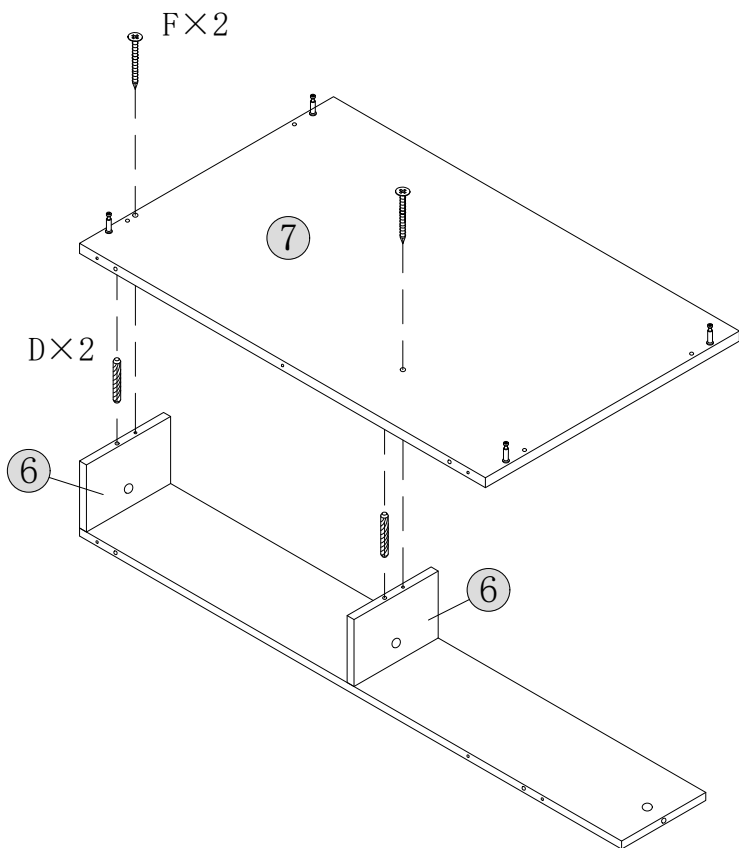
3





4

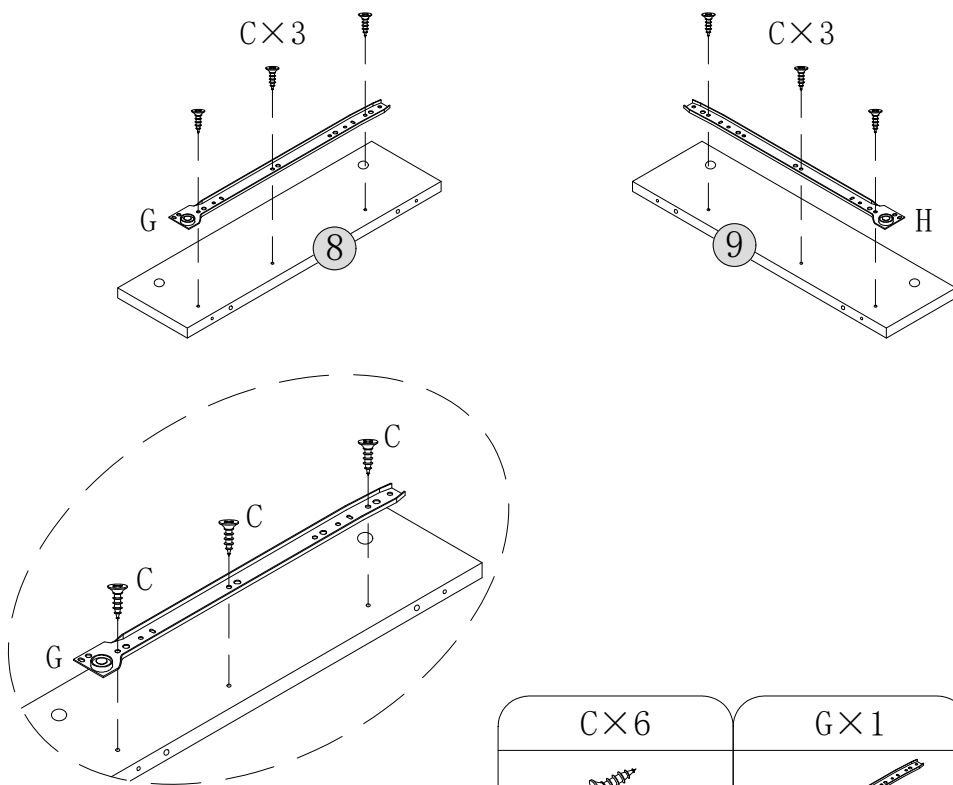



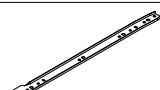
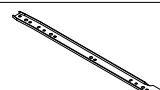
5



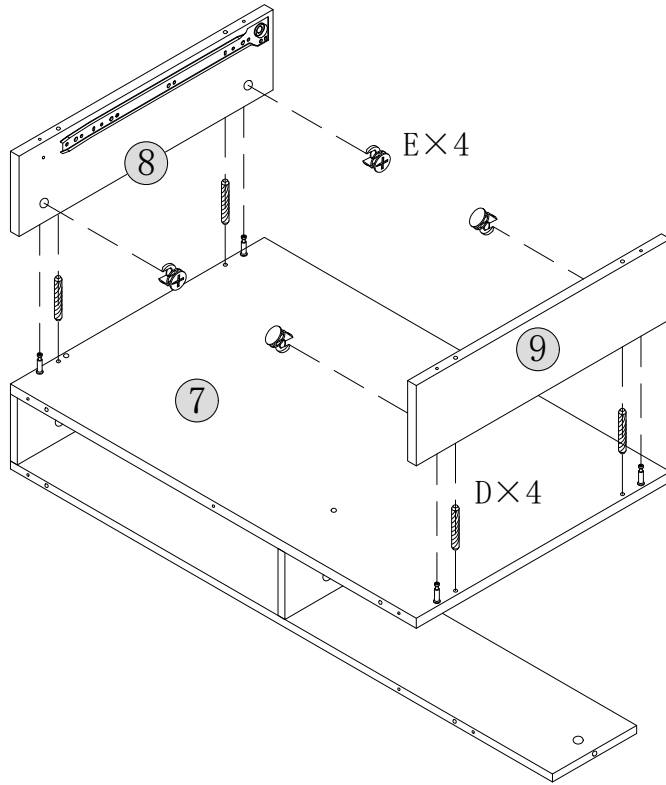
D x 2	F x 2
	
φ6 x 30mm	φ4 x 35mm

6




C x 6	G x 1	H x 1
		
φ3 x 12mm		

7




D×4



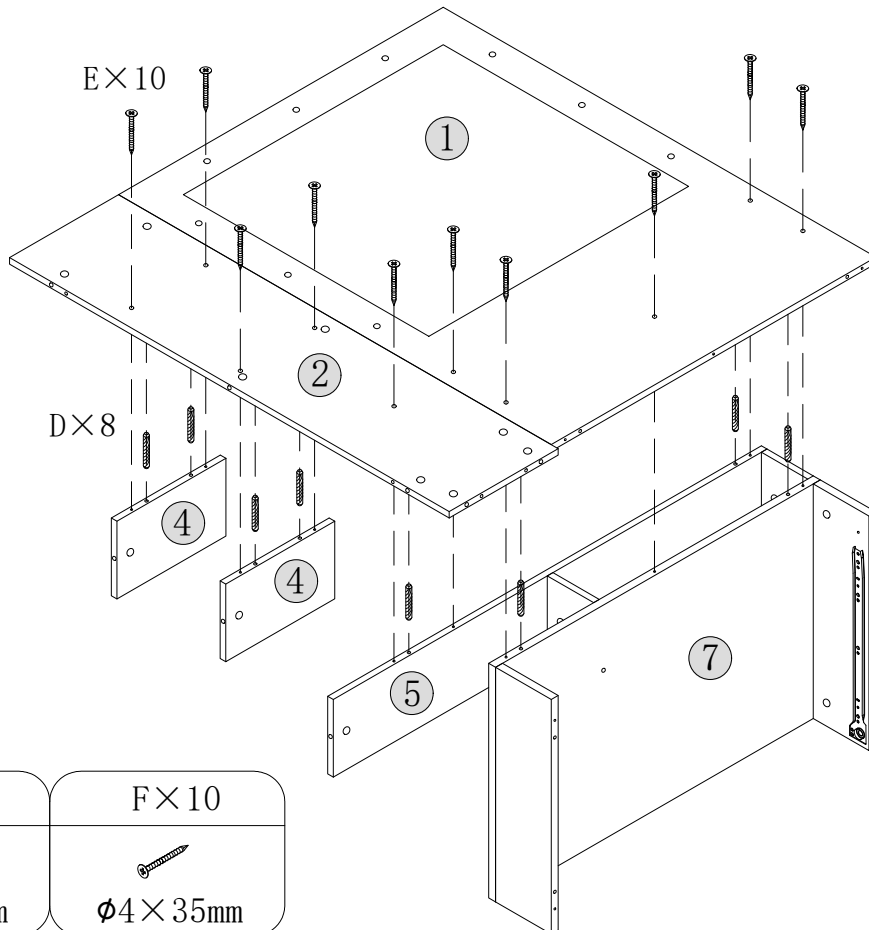
 $\phi 6 \times 30\text{mm}$

E×4



 $\phi 15 \times 10\text{mm}$


8



E×10


D×8

D×8



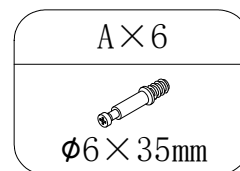
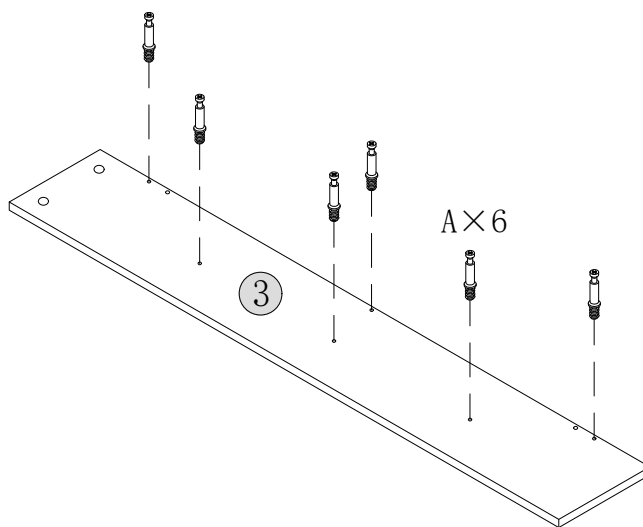
 $\phi 6 \times 30\text{mm}$

F×10

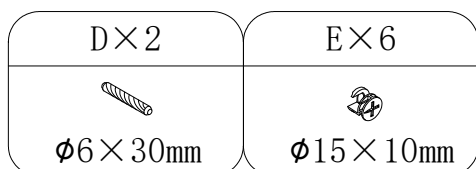
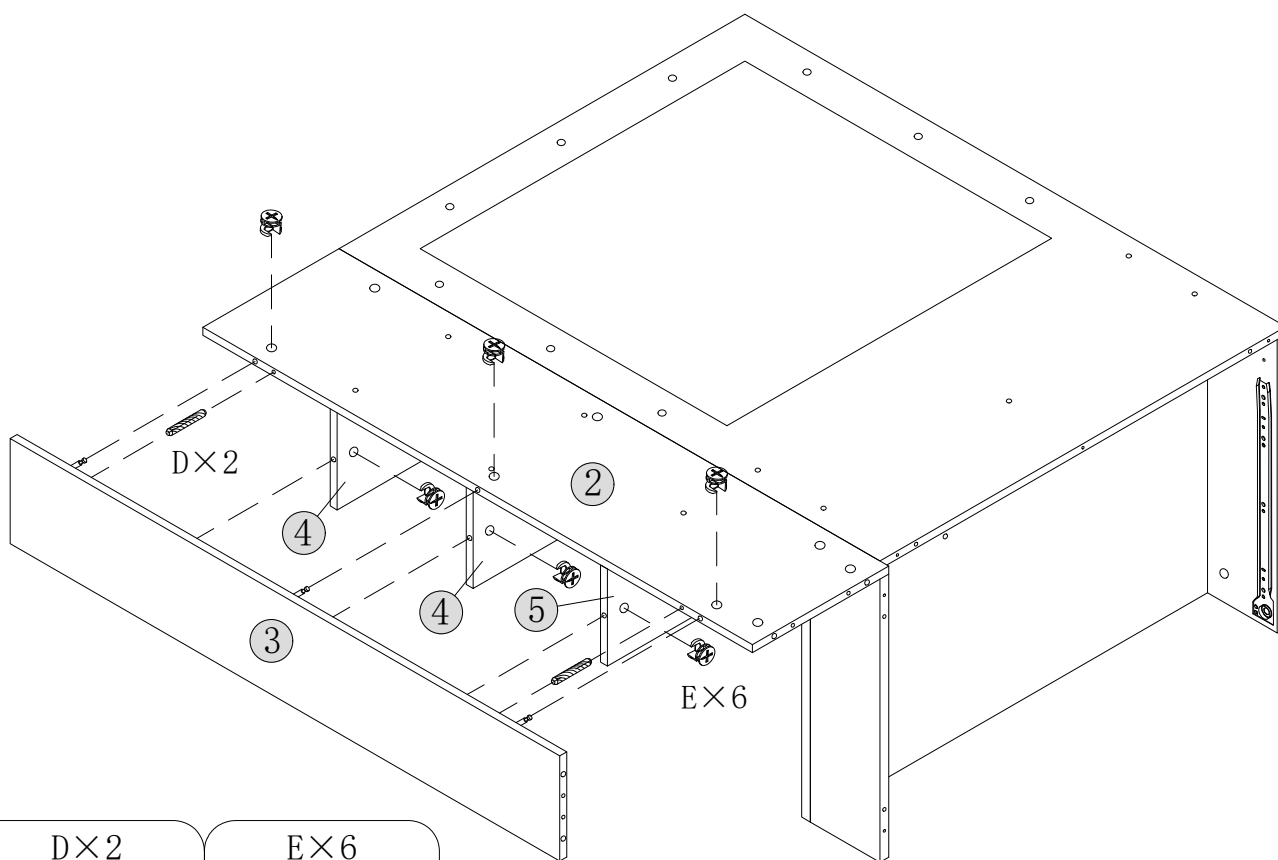


 $\phi 4 \times 35\text{mm}$

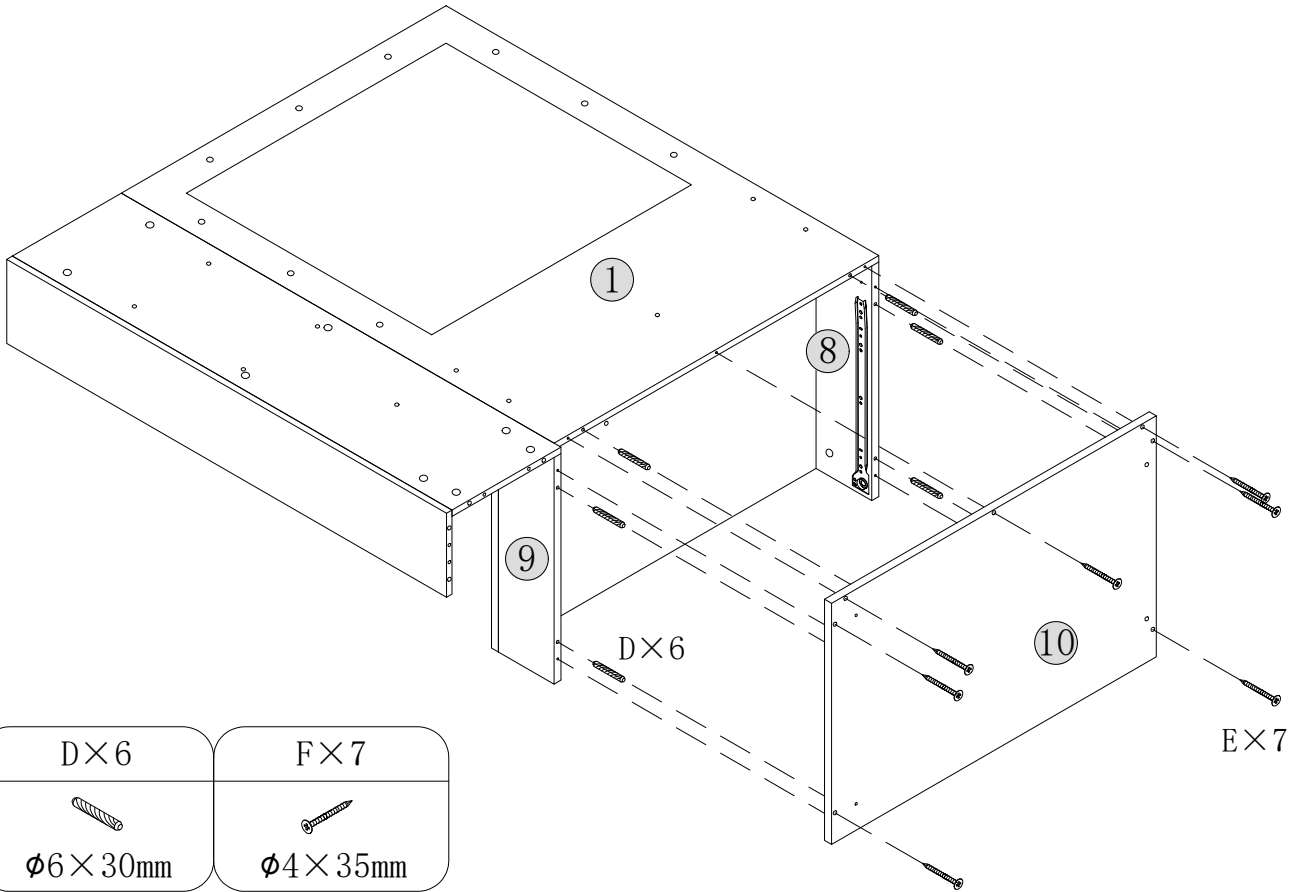
9





10

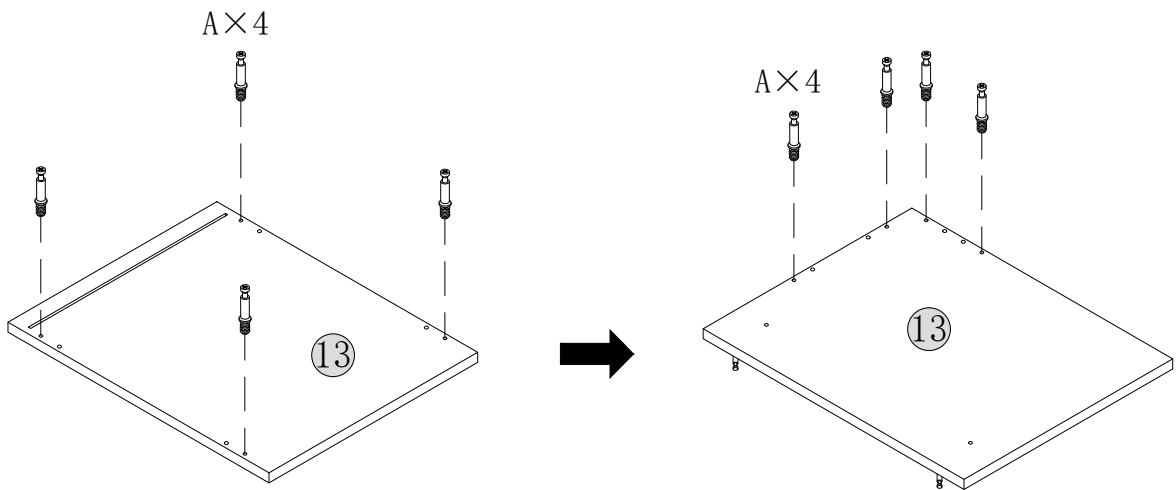


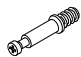
11



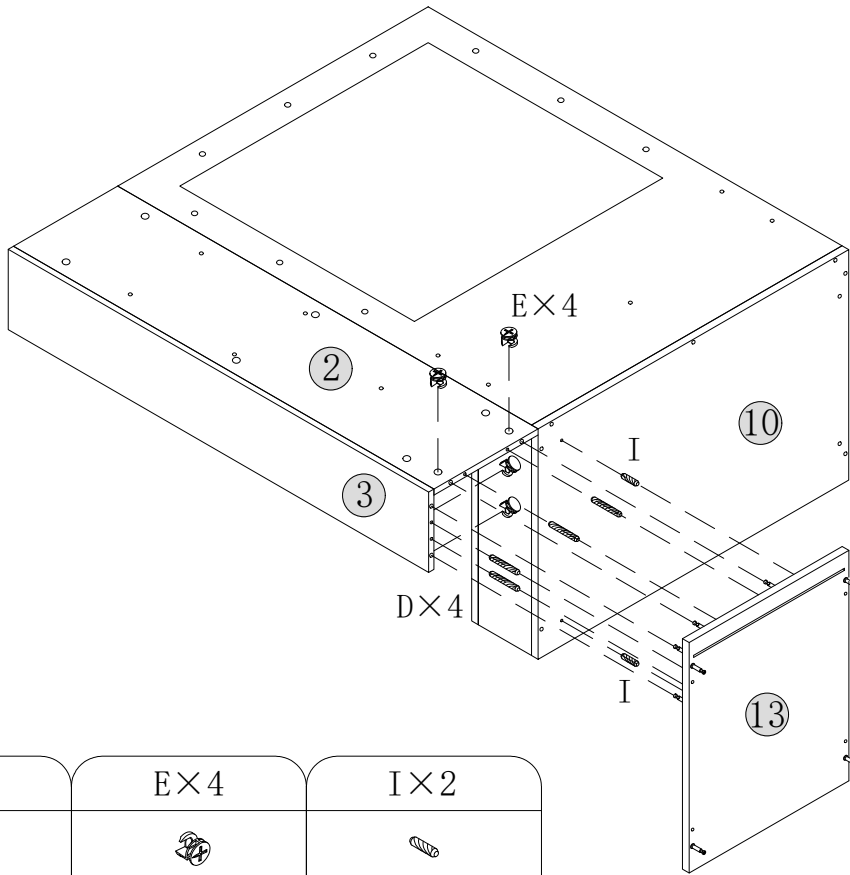
D x 6	F x 7
	
$\phi 6 \times 30\text{mm}$	$\phi 4 \times 35\text{mm}$

12



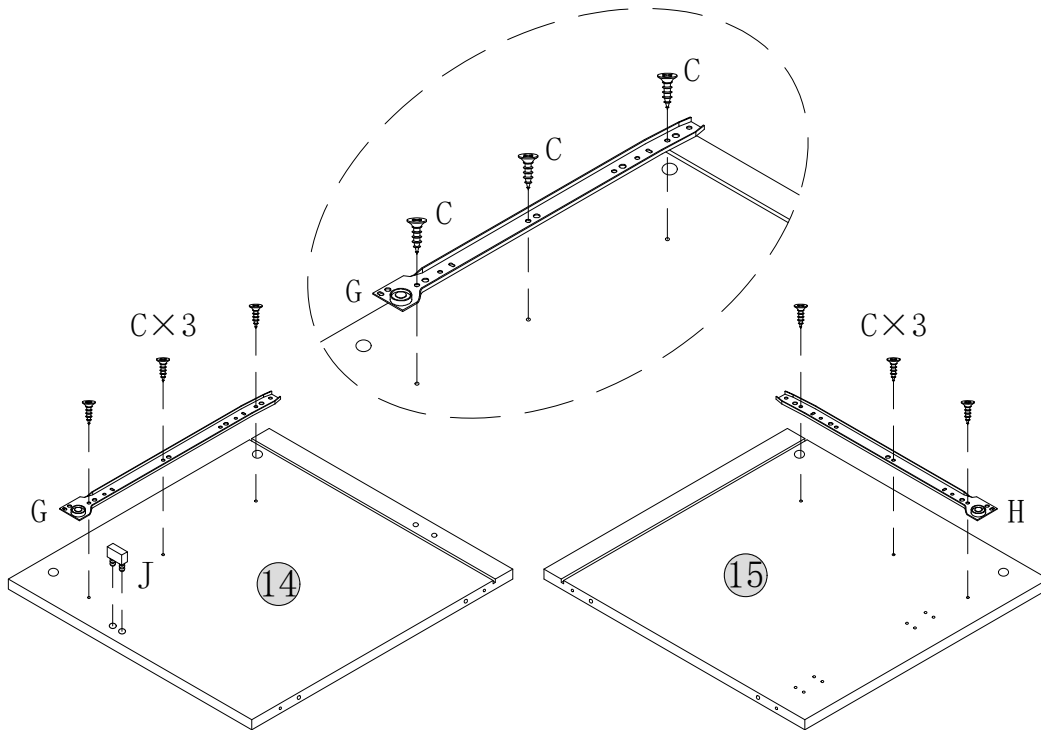
A x 8

$\phi 6 \times 35\text{mm}$

13



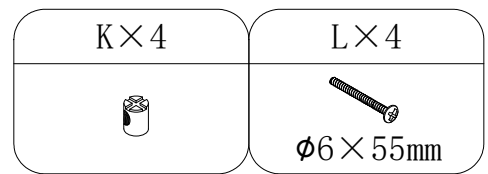
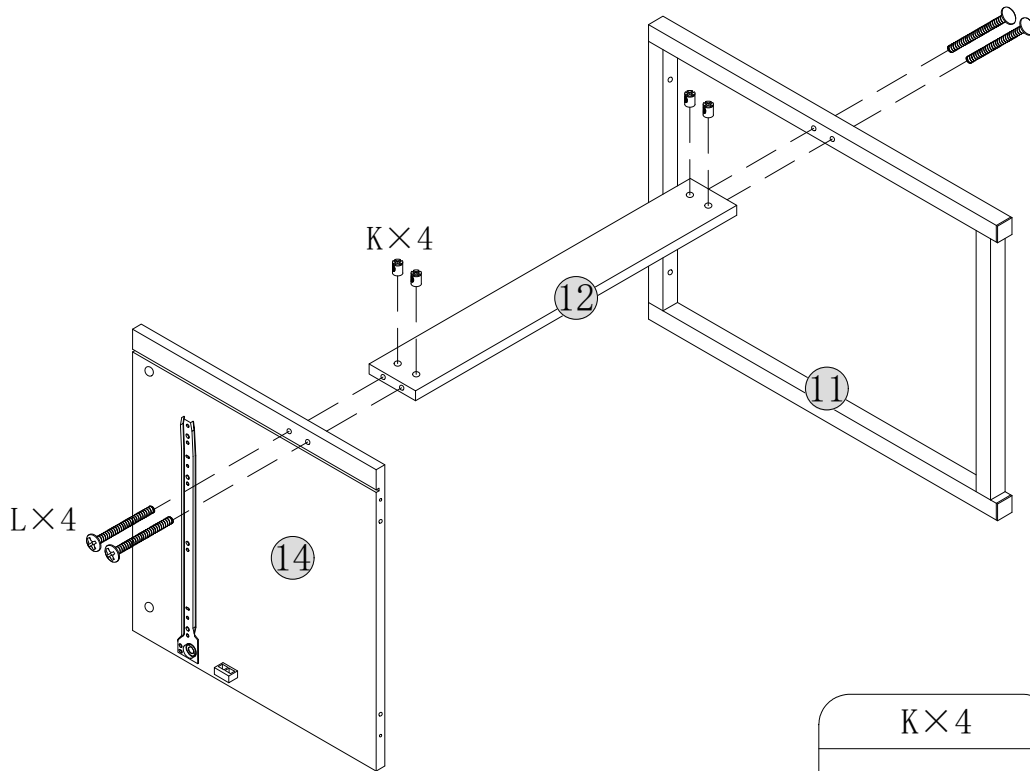
D×4	E×4	I×2
∅6×30mm	∅15×10mm	∅6×20mm

14

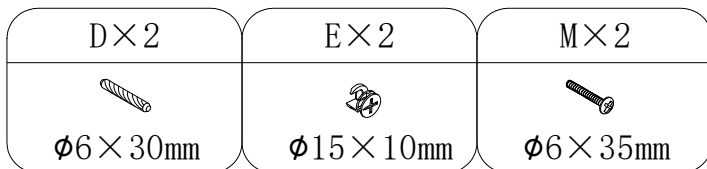
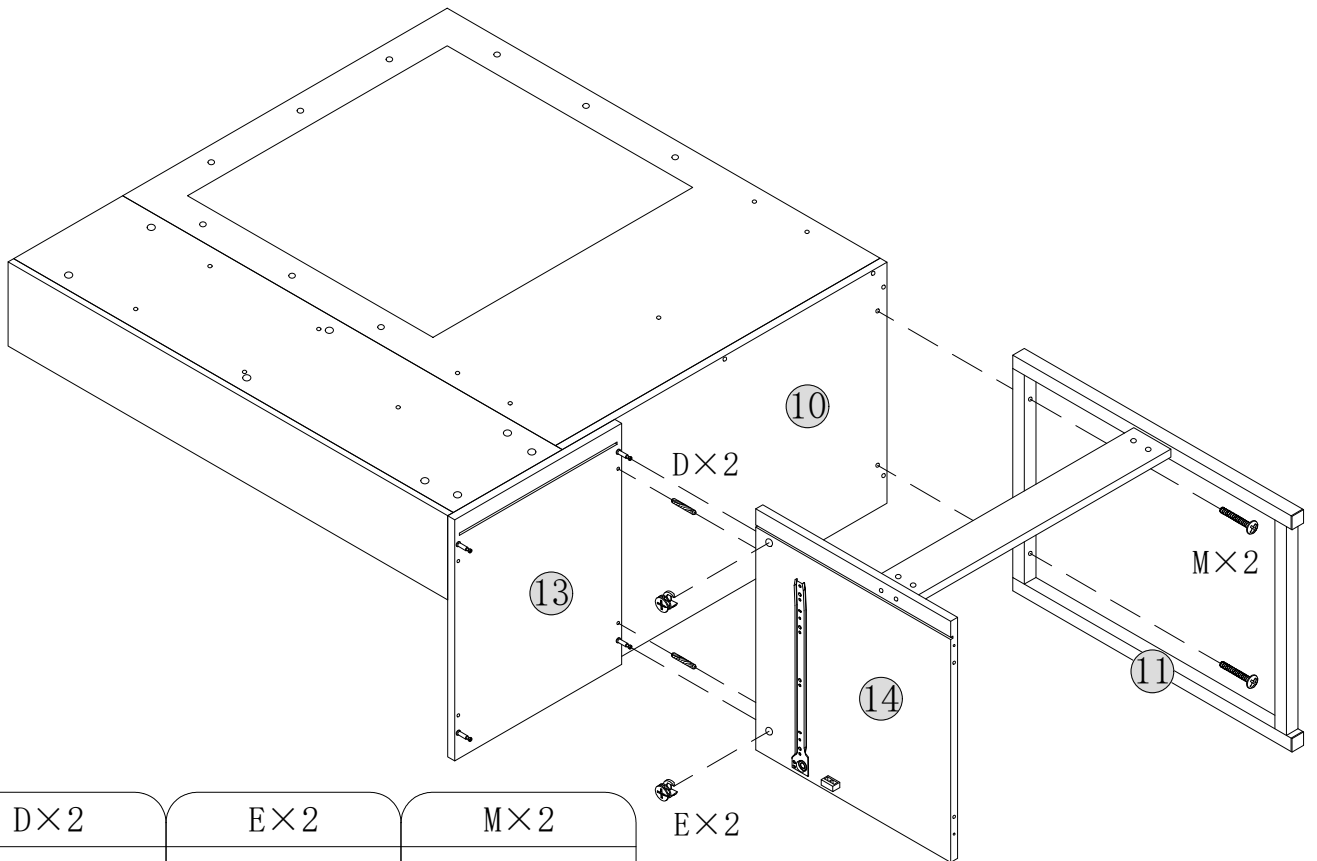


C×6	G×1	H×1	J×1
∅3×12mm			

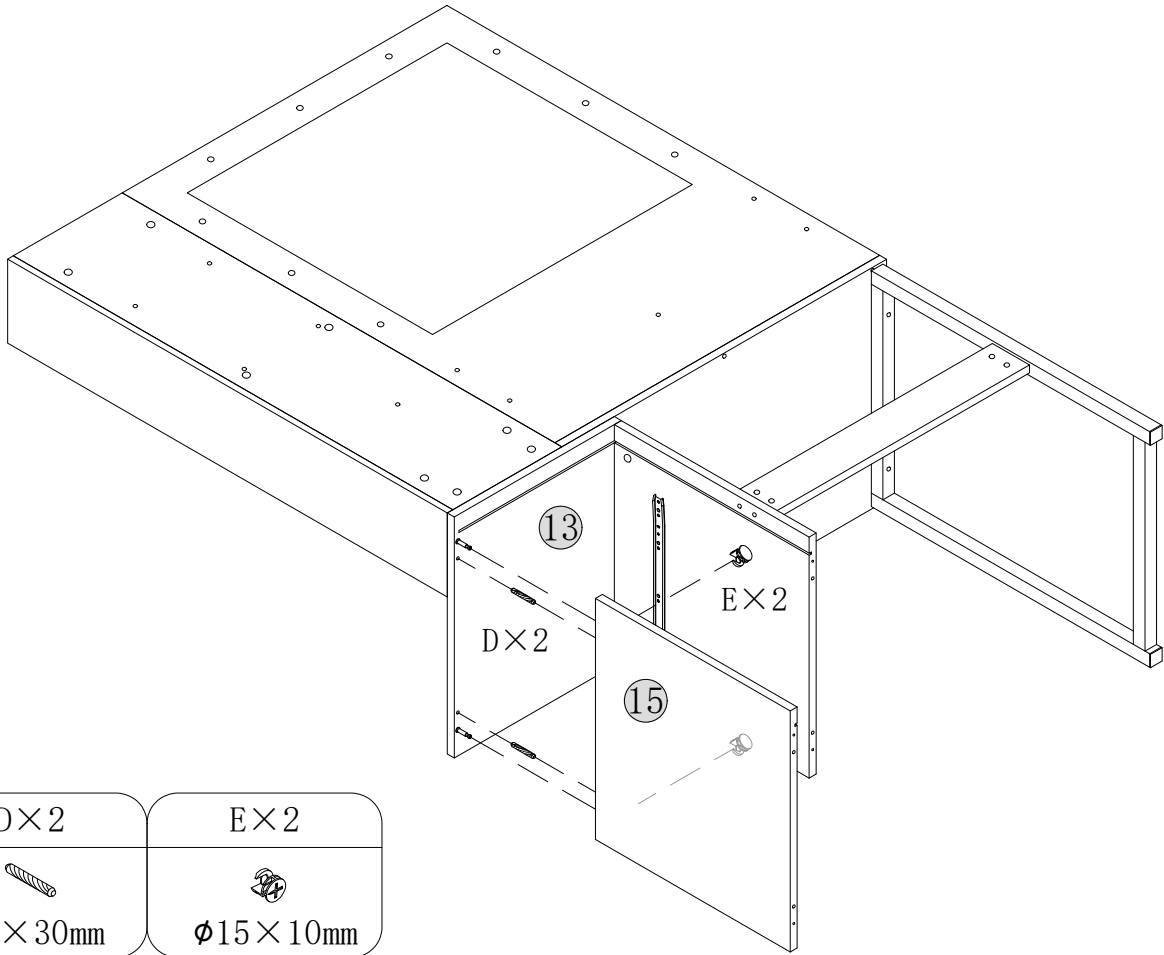
15



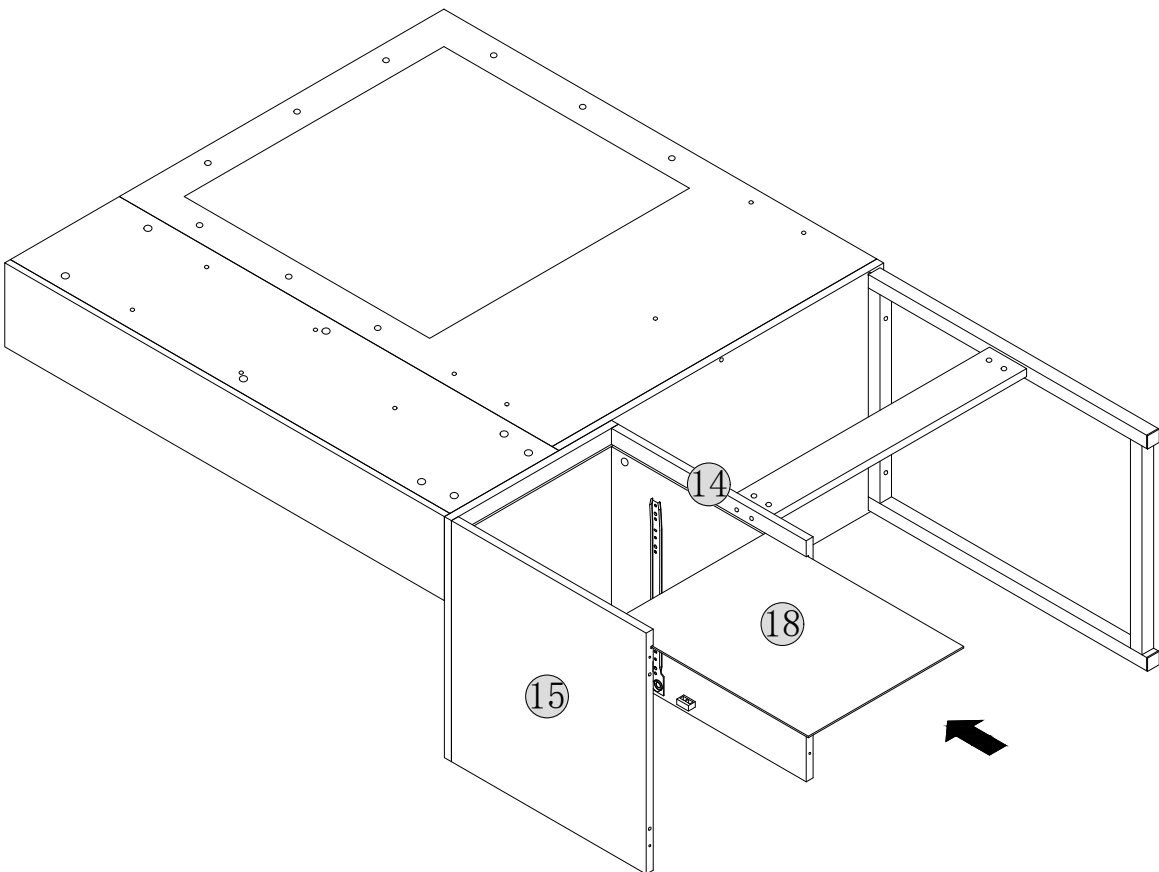
16



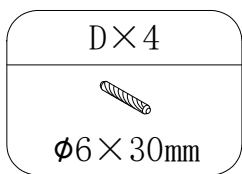
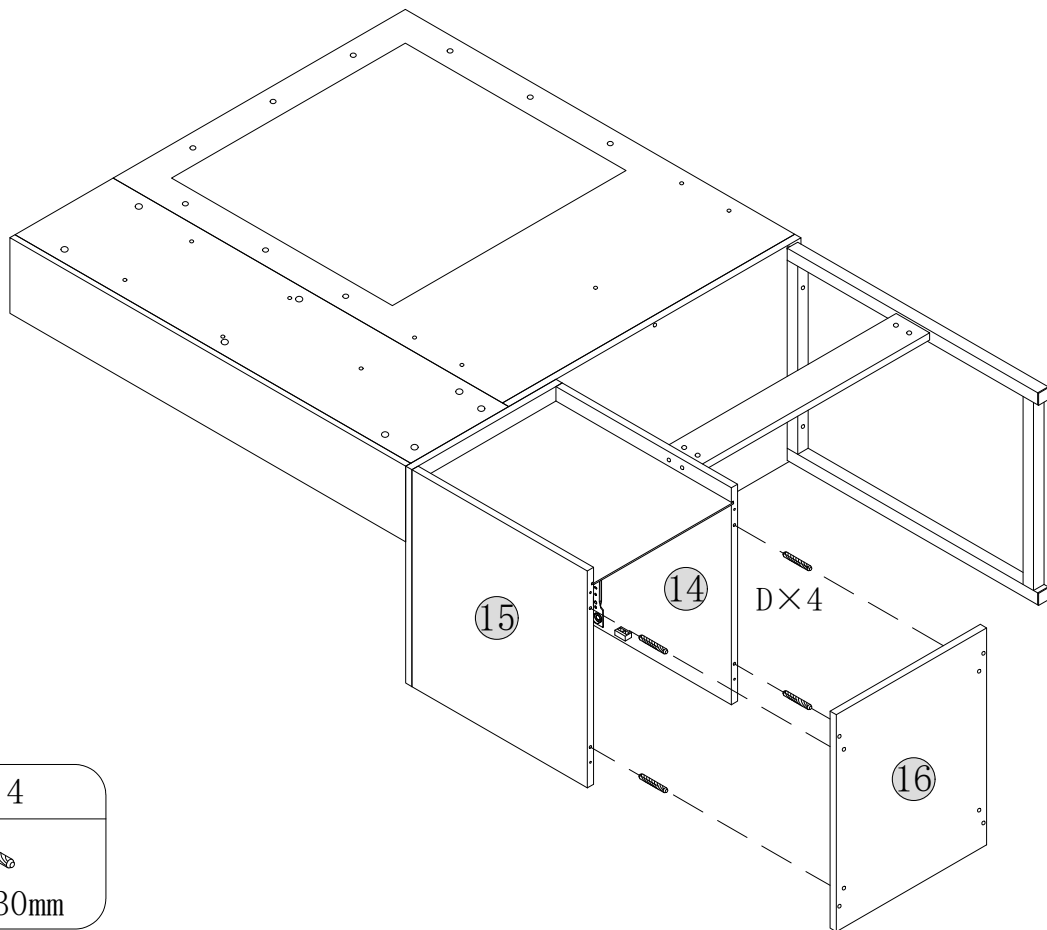
17



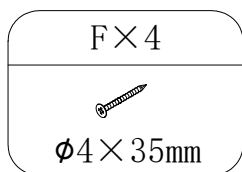
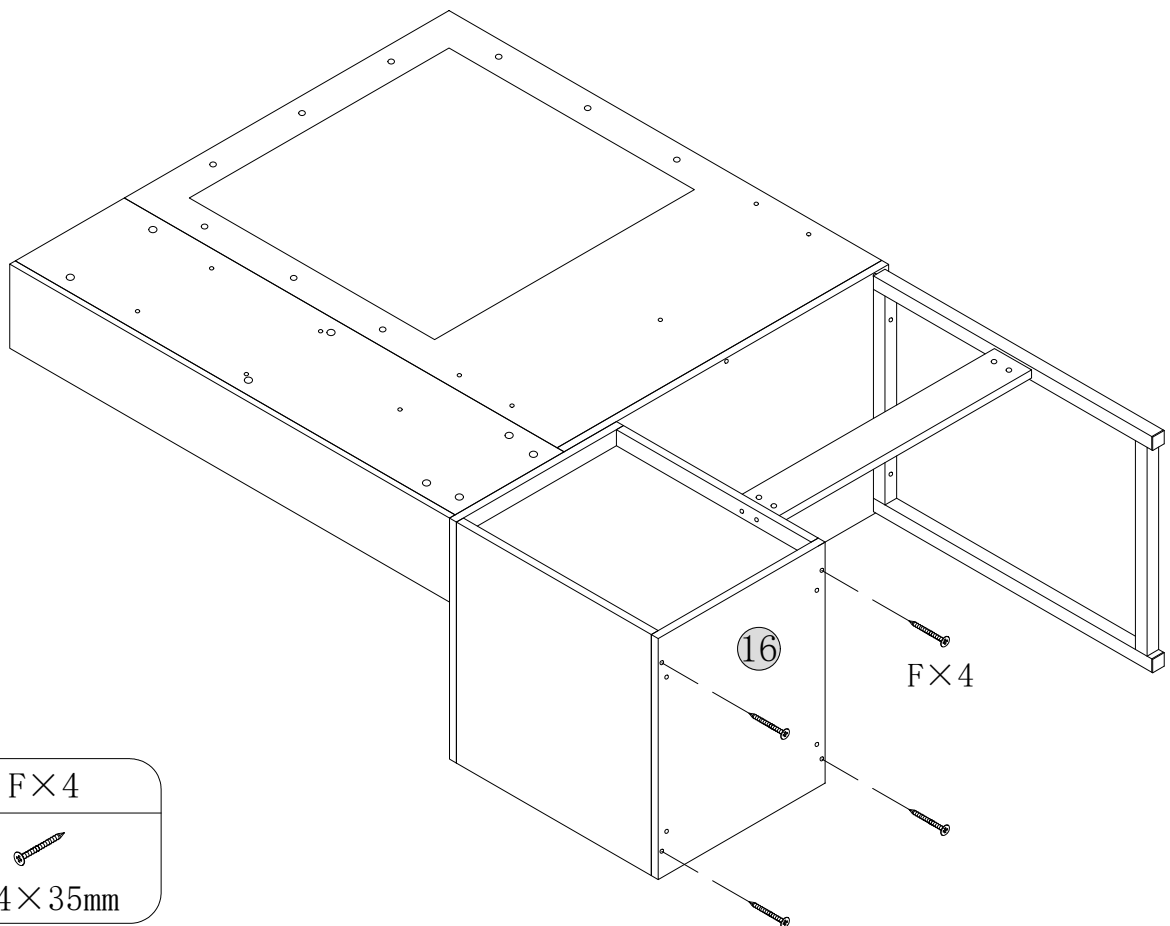
18



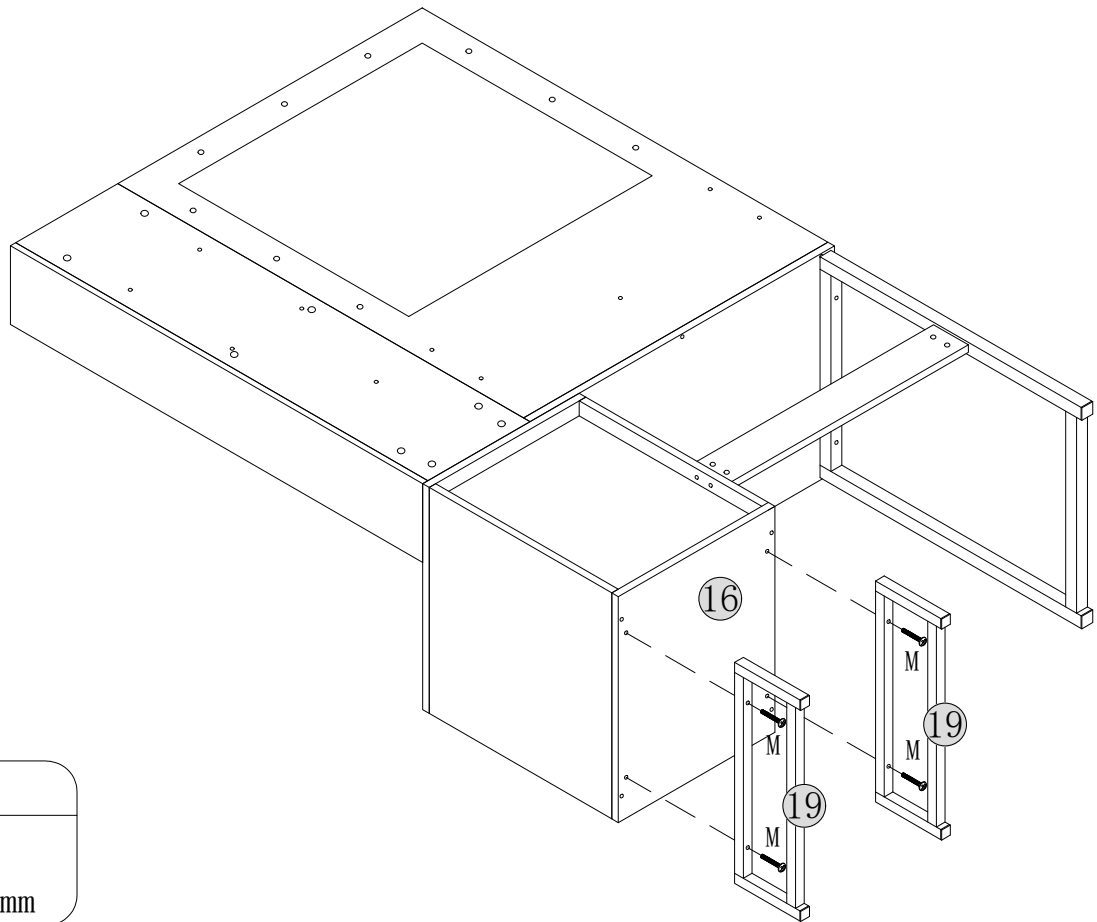
19




20

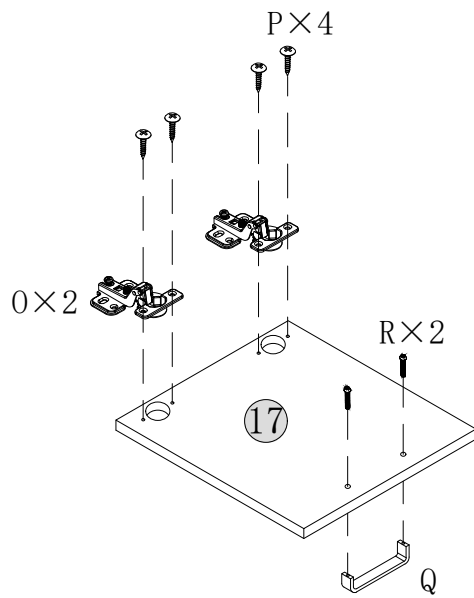




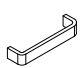

21

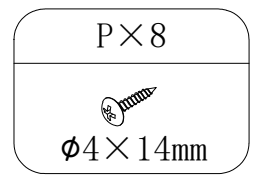
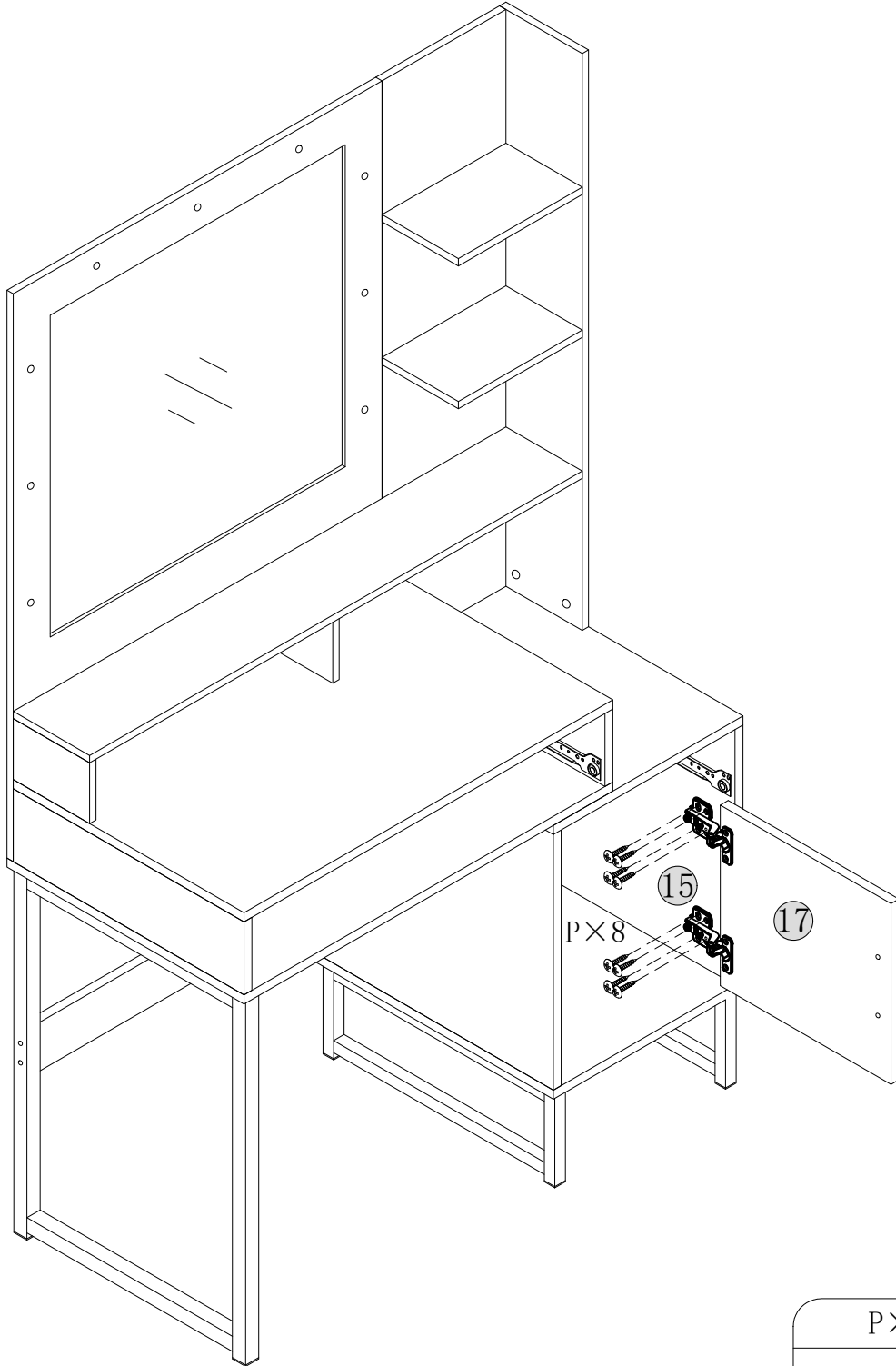
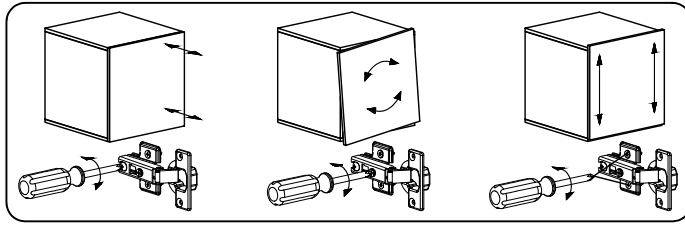


M×4

φ6×35mm

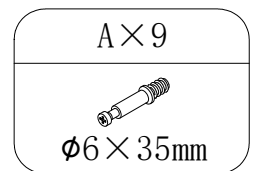
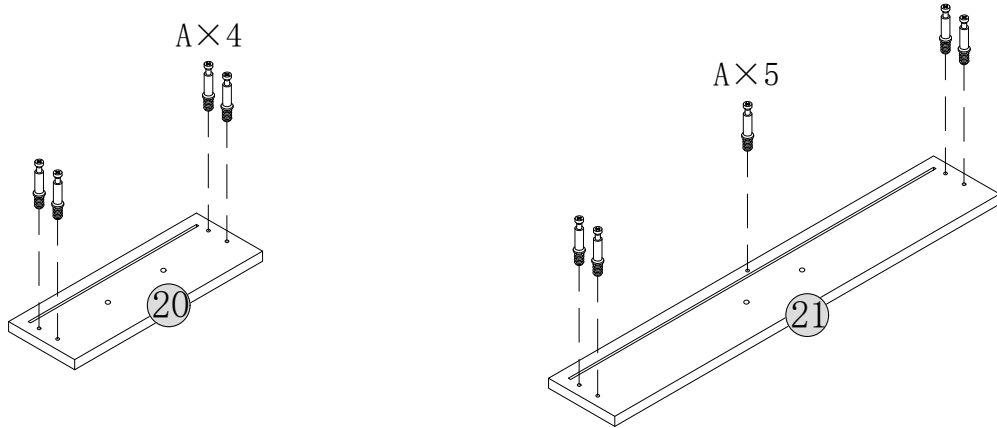
22



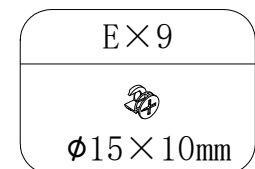
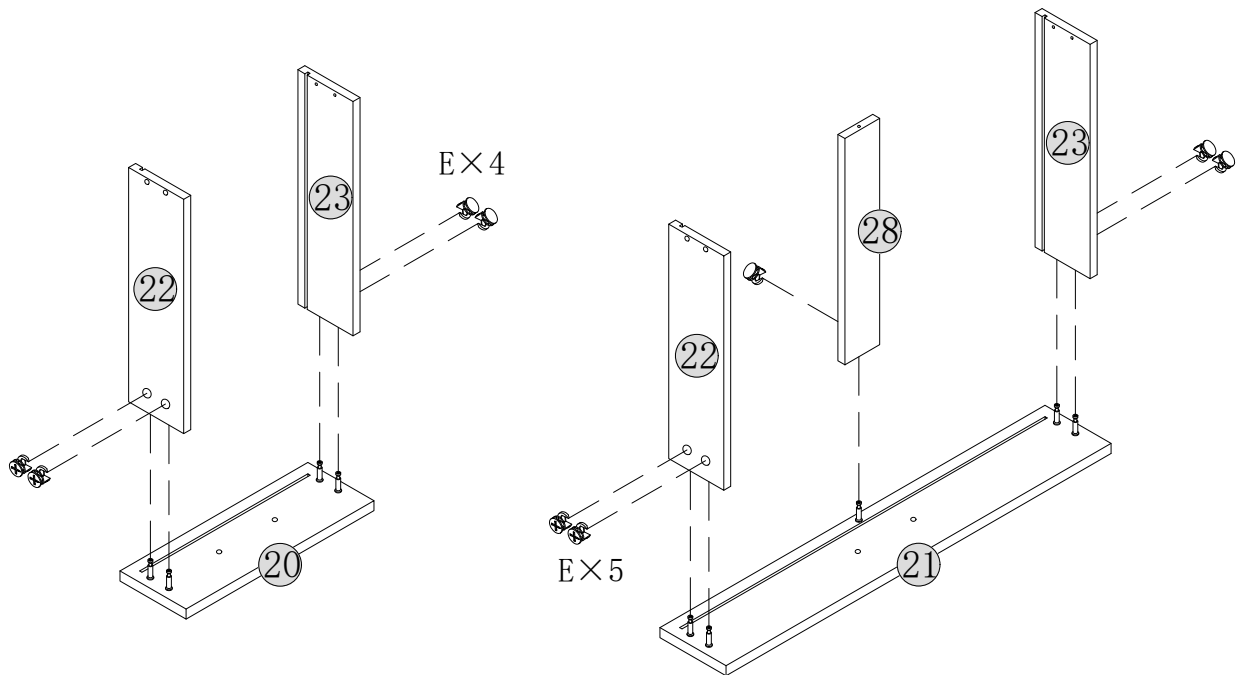
O×2	P×4	Q×1	R×2
	 φ4×14mm		 φ4×18mm



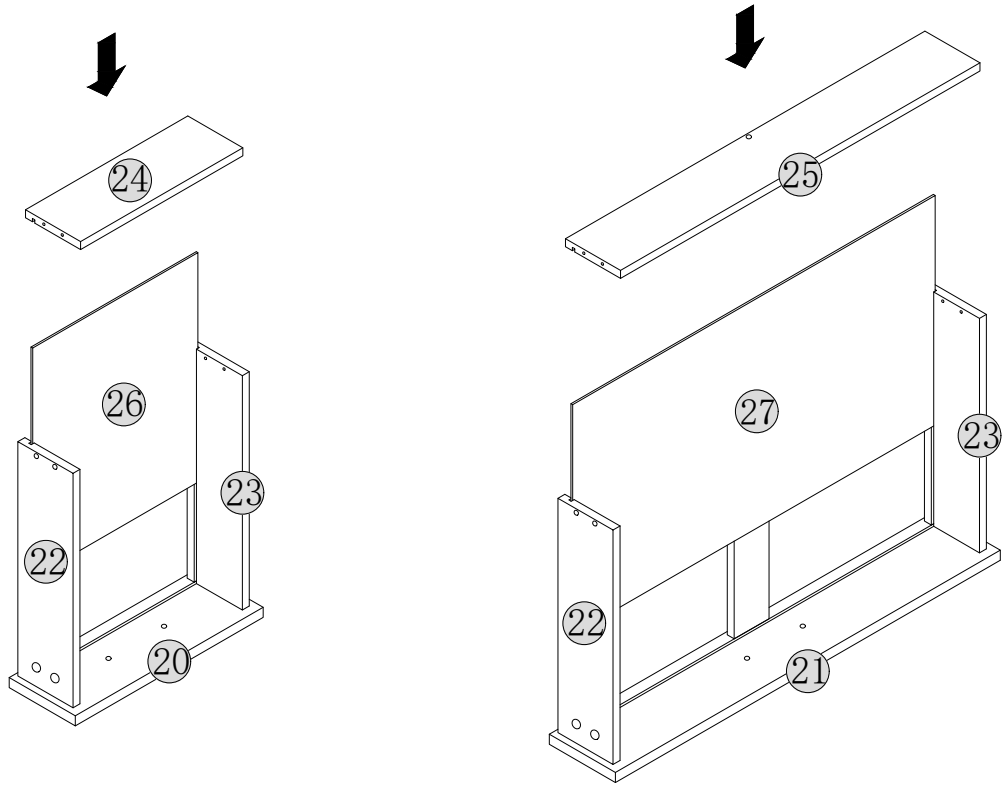
24



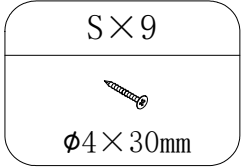
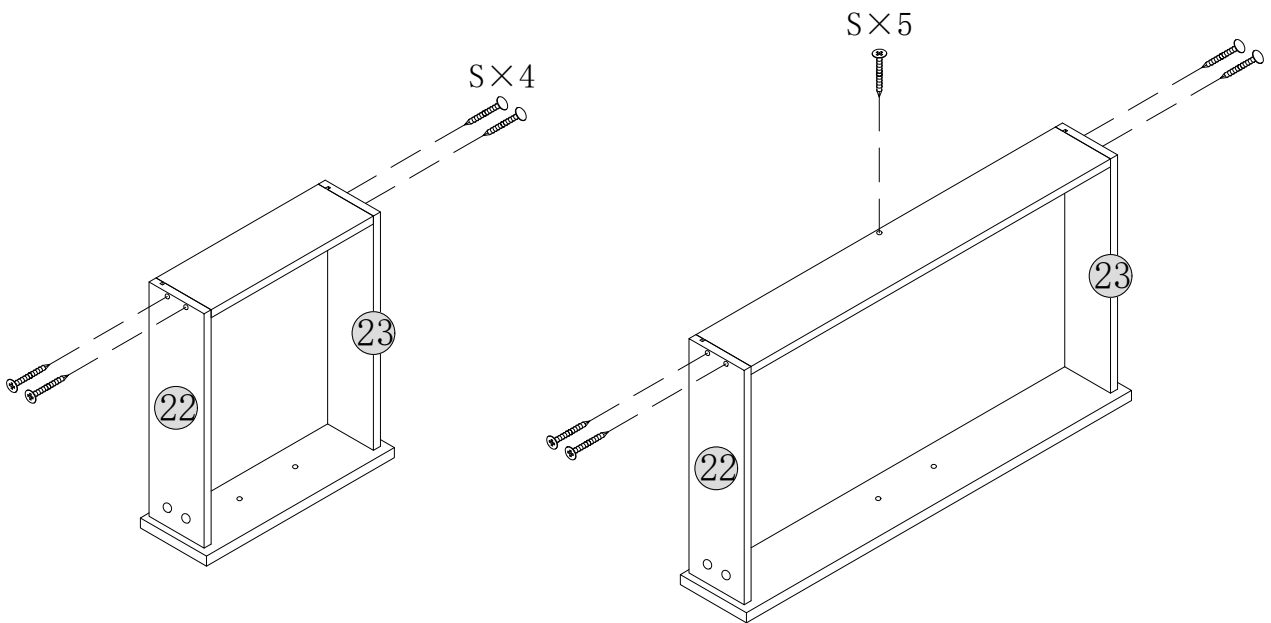
25



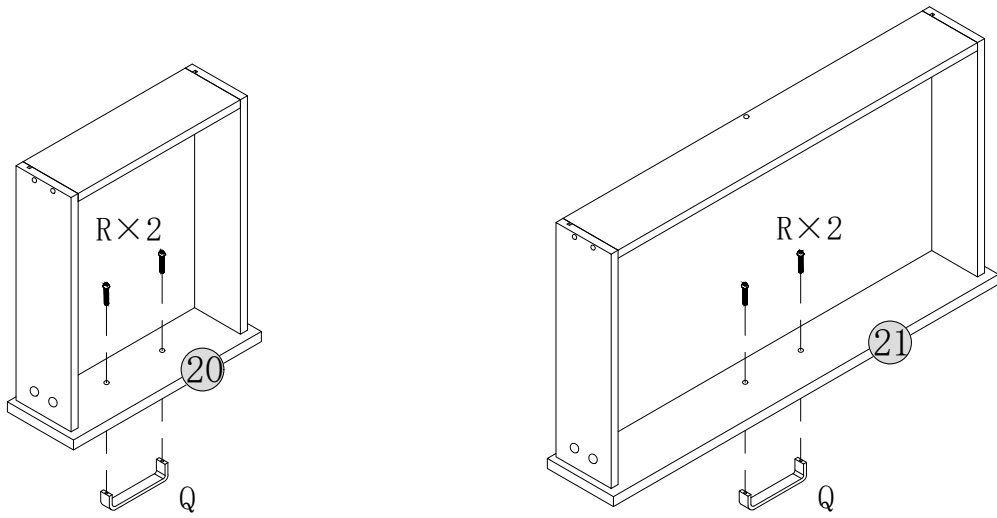
26

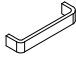



27

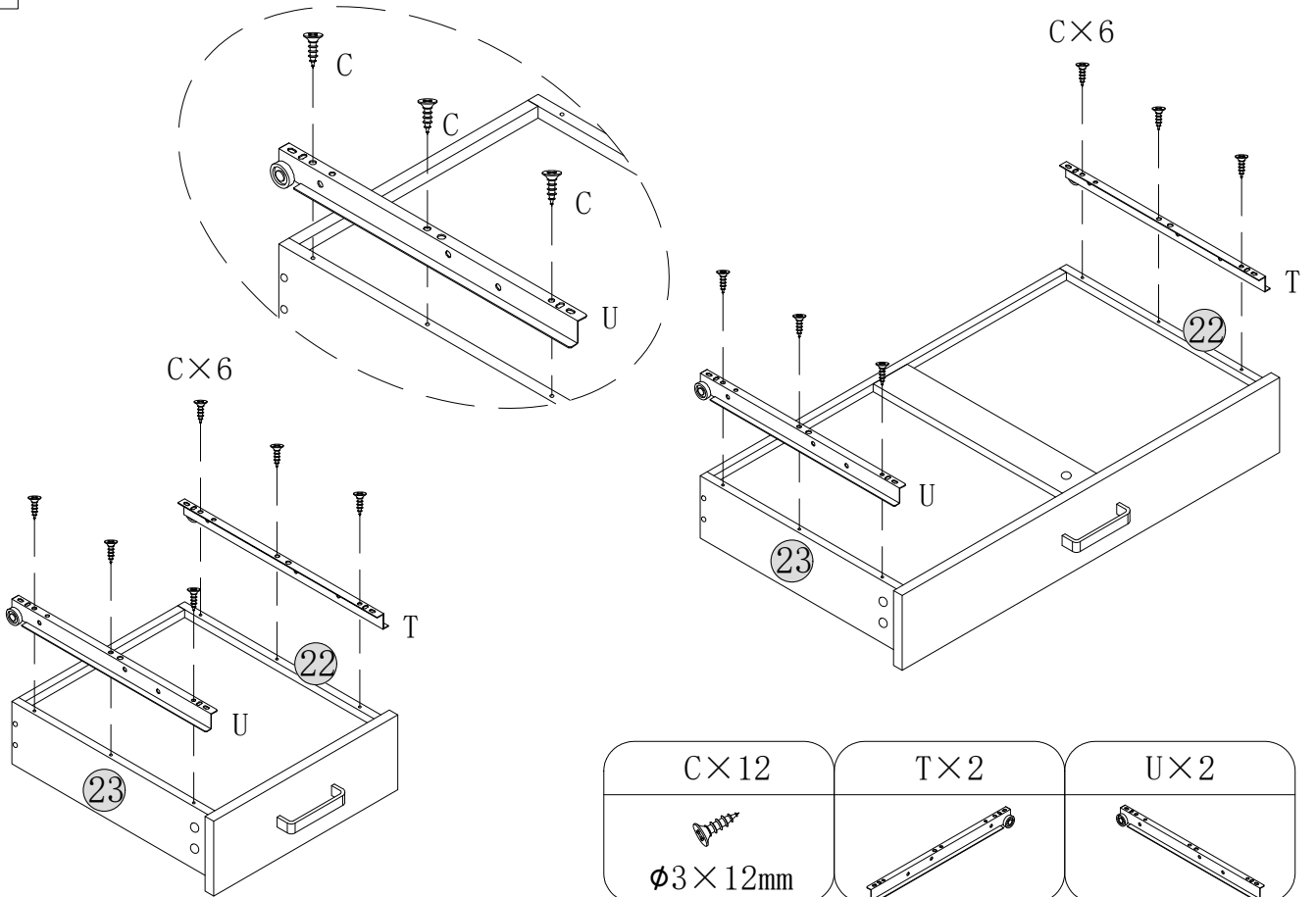



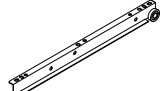
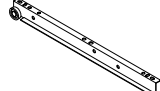
28

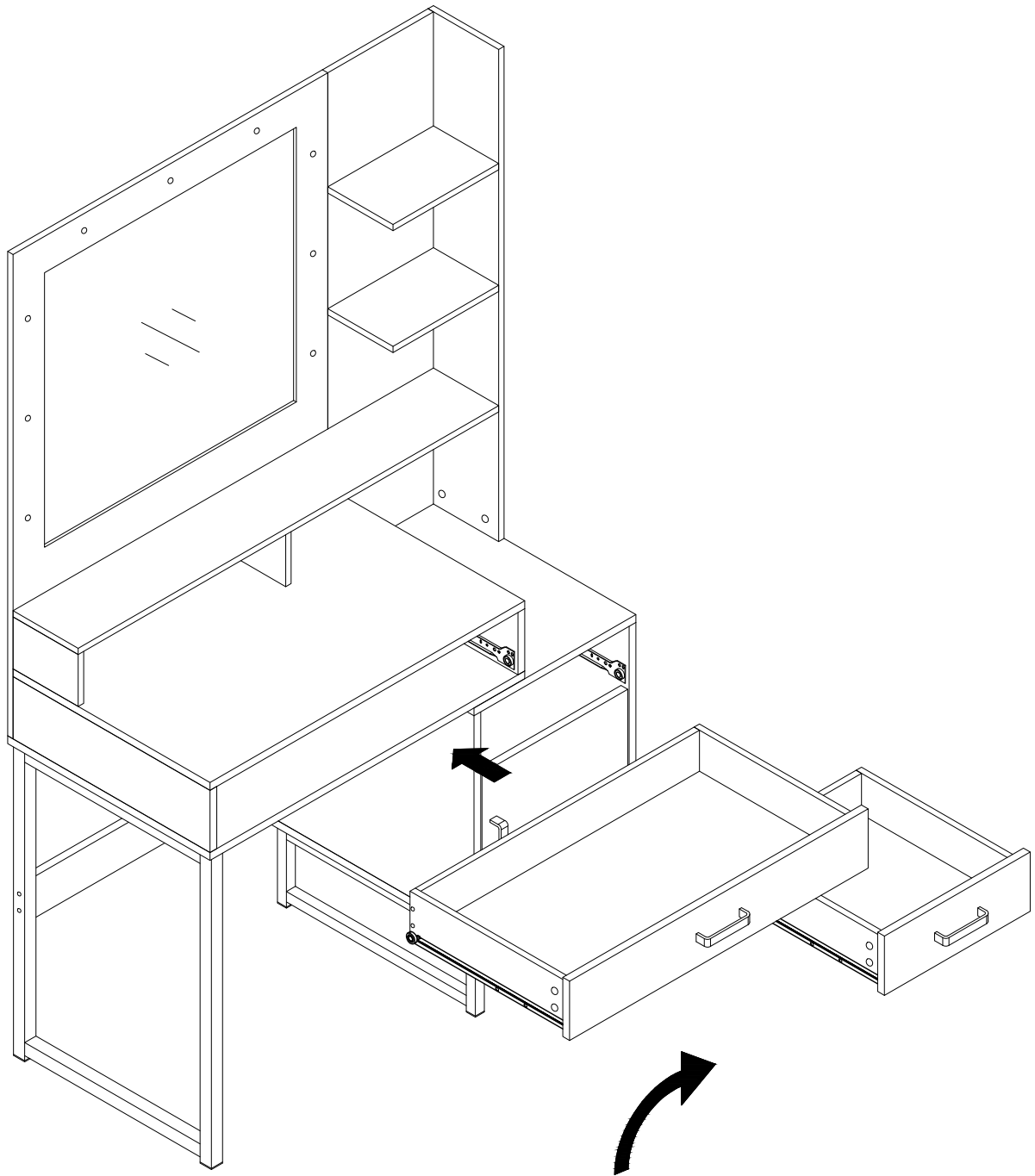


Q x 2	R x 4
	 φ4 x 18mm

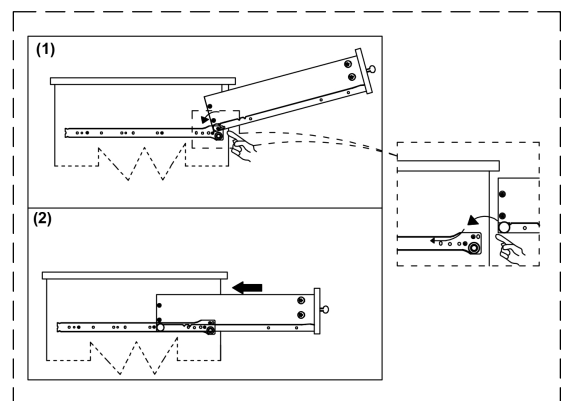
29

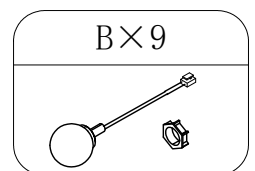
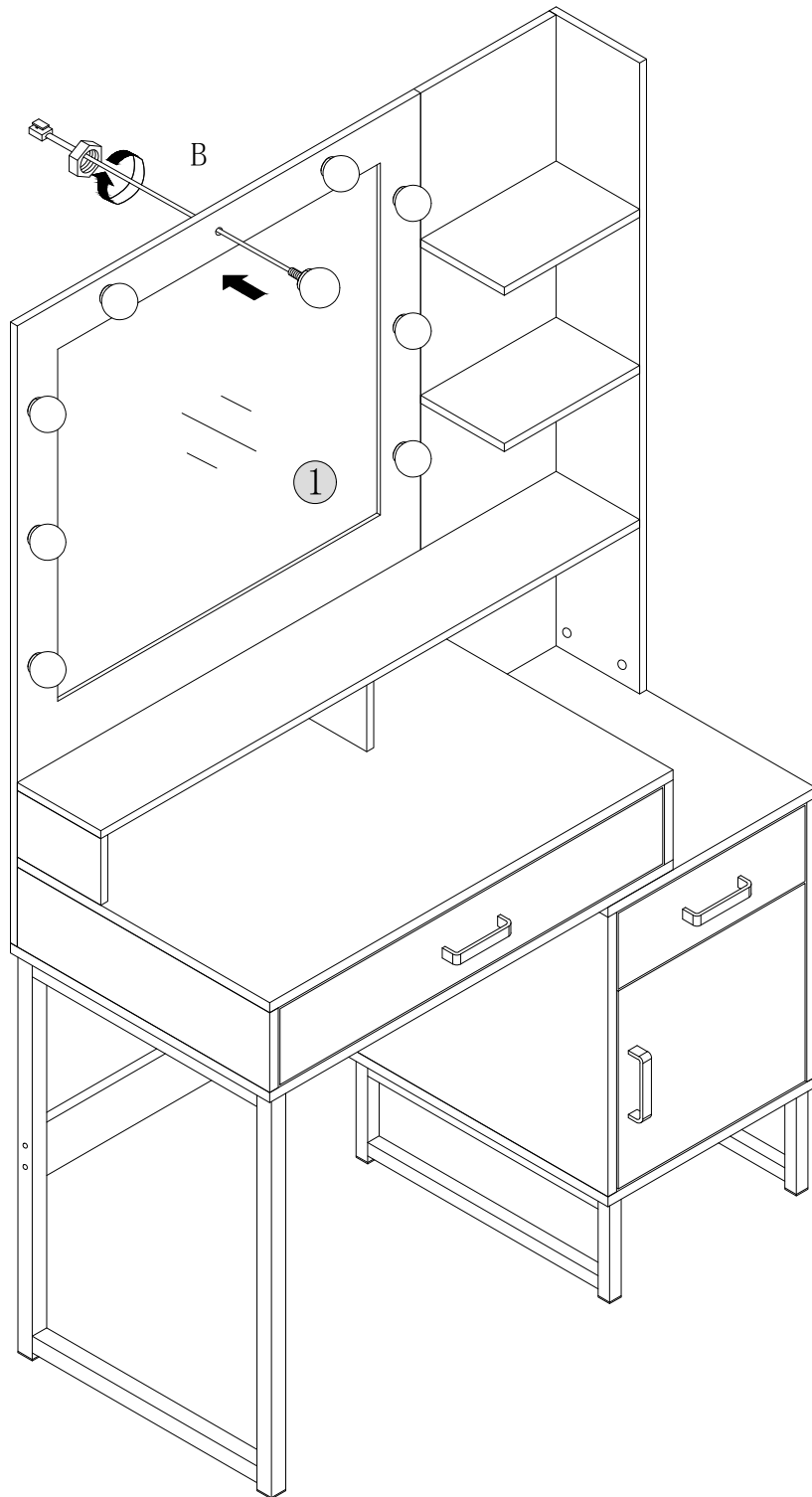


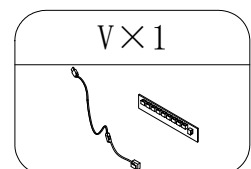
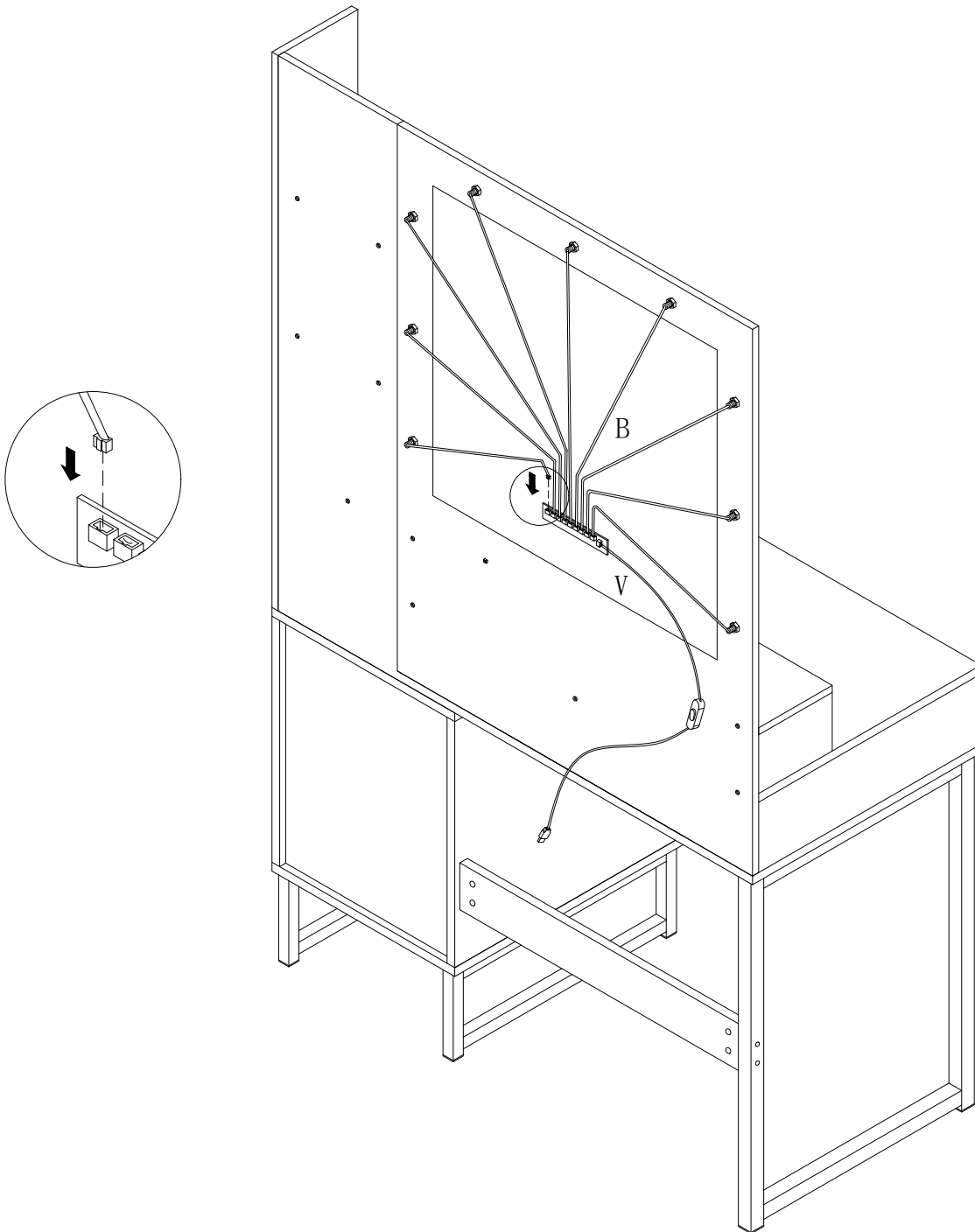
C x 12	T x 2	U x 2
 φ3 x 12mm		

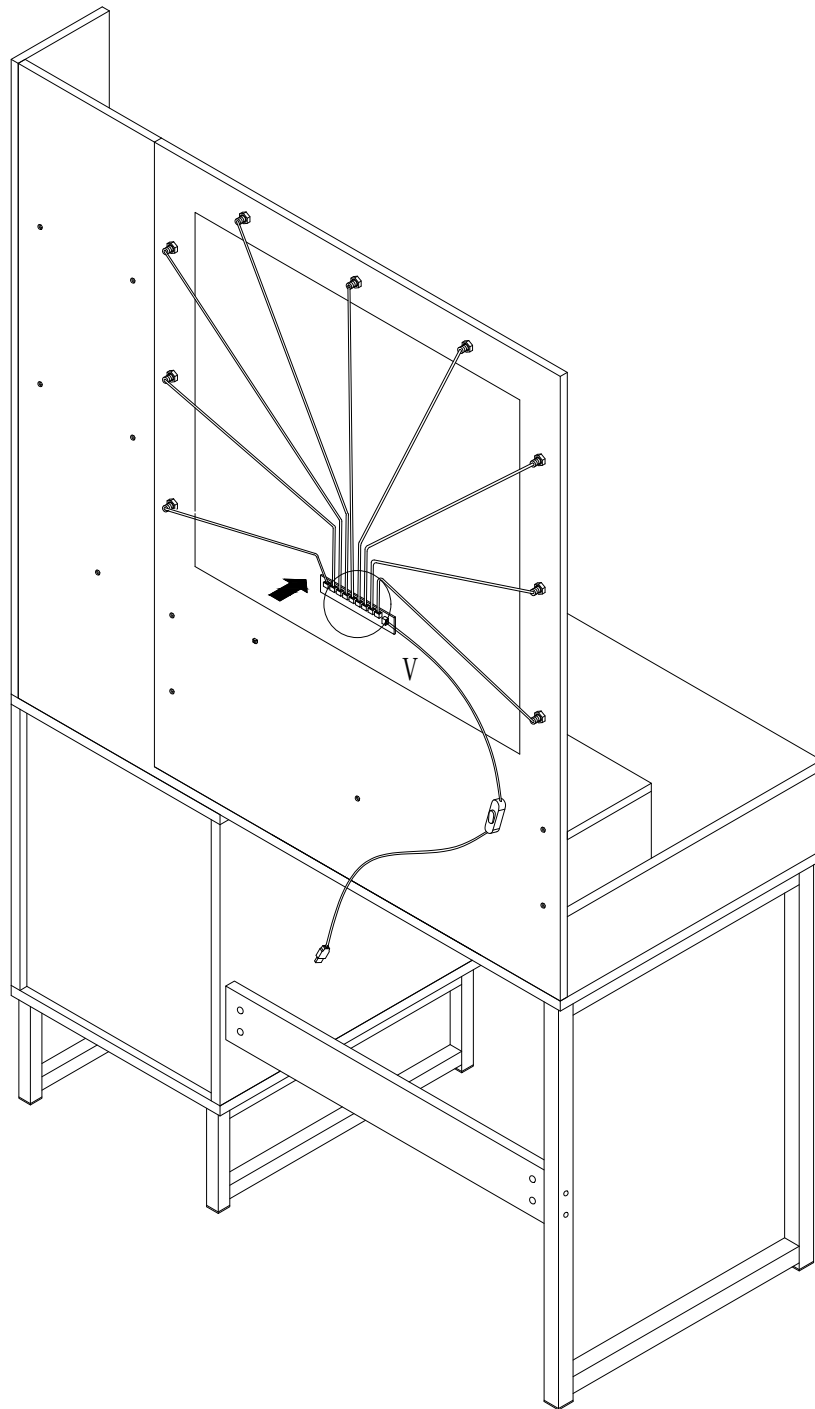
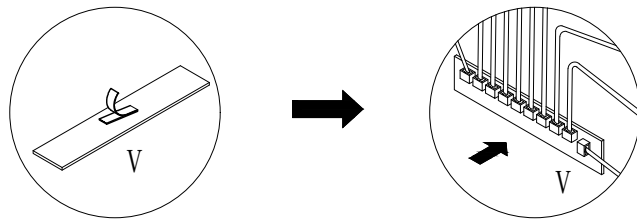


The wheels of the track have to be aligned and pushed along.

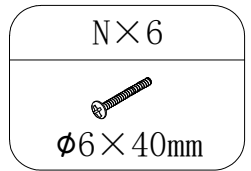
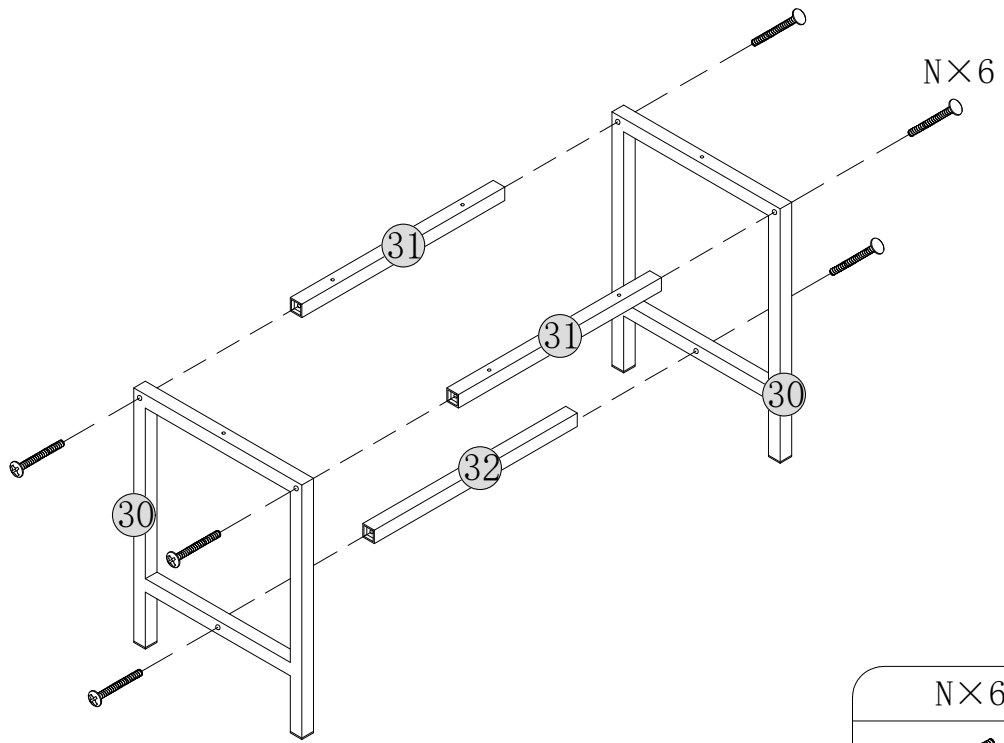








34



34

