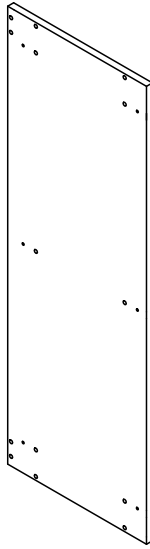
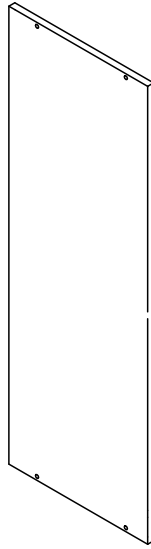


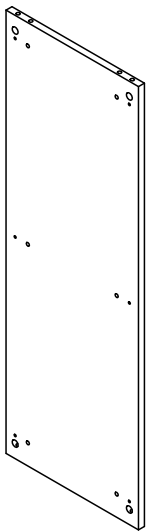
Ax1



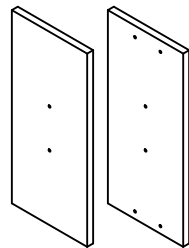
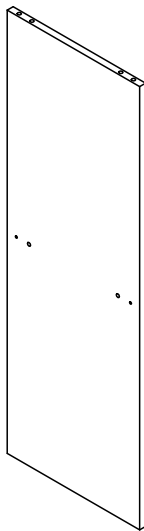
Bx1



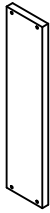
$\frac{996 \times 199.5}{39.2 \times 7.9}$   
Cx2



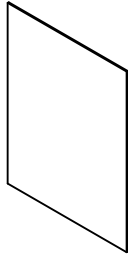
Dx1



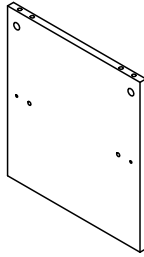
Ex2



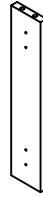
Fx2



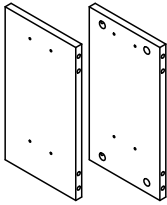
394.5x300  
15.6x11.8  
Gx2



Hx2



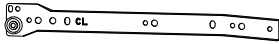
Ix2



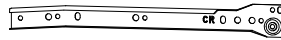
Jx4



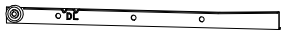
Kx4



CLx2



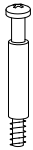
CRx2



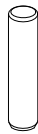
DLx2



DRx2



Lx40



Mx32



Nx40



Ox6



Px8



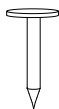
Qx2



Rx16



Sx8



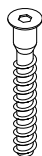
Tx76



Ux4



Vx2



Wx4



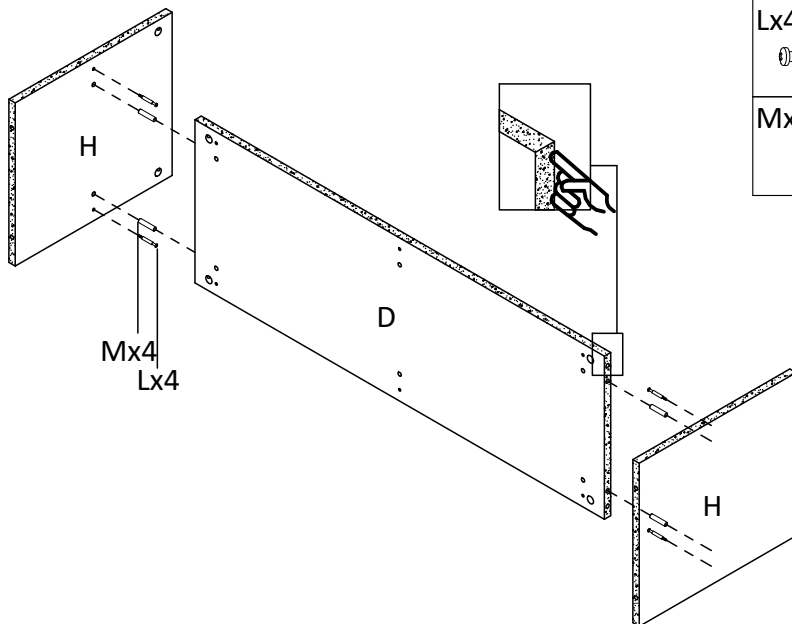
Xx1



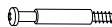
mm  
inch

x2

①

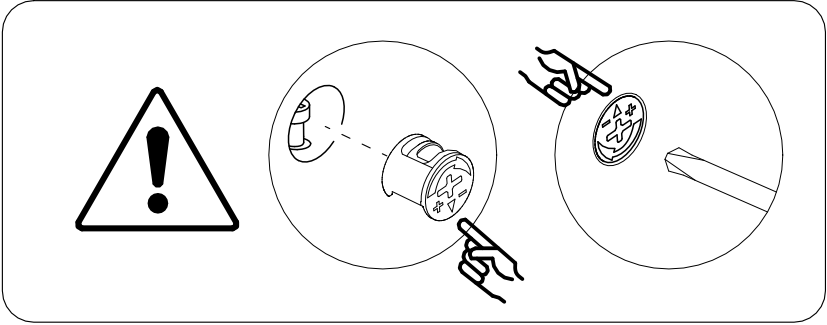


Lx4



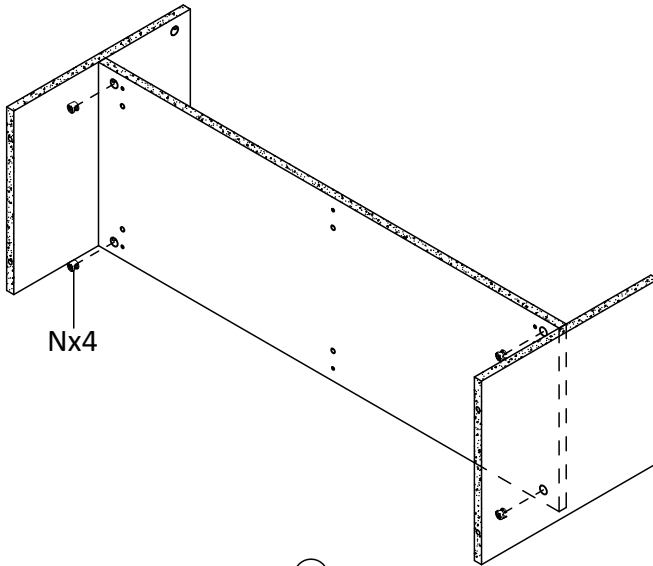
Mx4





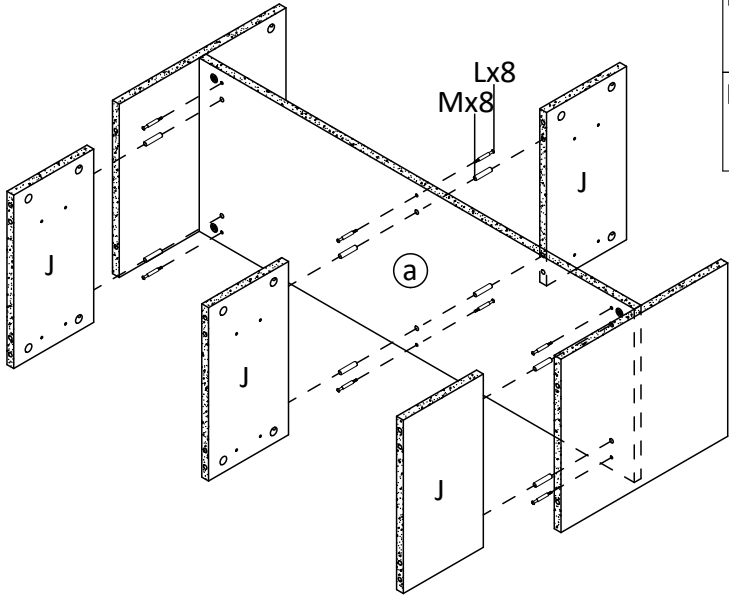
2

Nx4

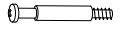


a

3



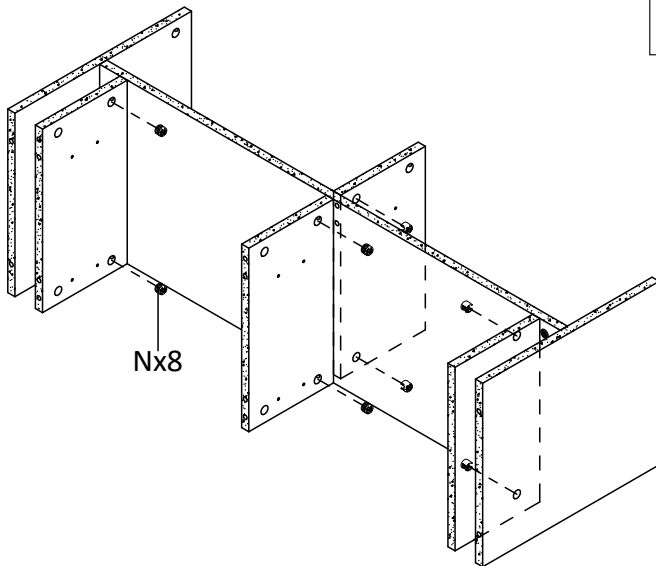
Lx8



Mx8



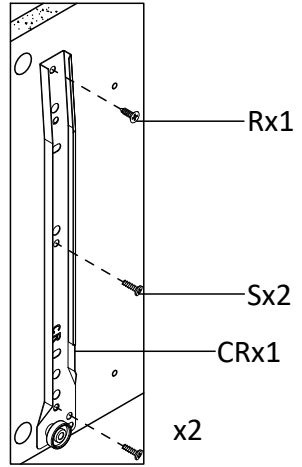
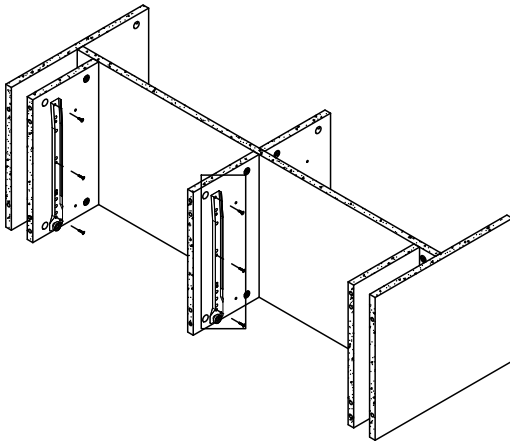
4



Nx8



5



CRx2



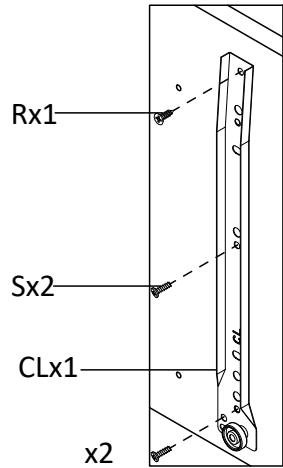
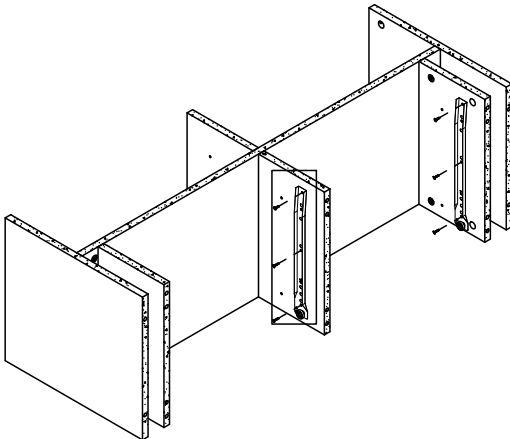
Rx2



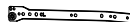
Sx4



6



CLx2



Rx2

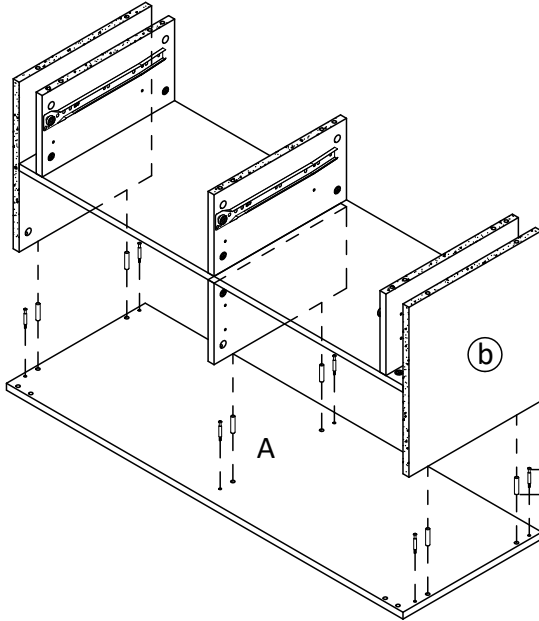


Sx4

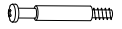


(b)

7



Lx6

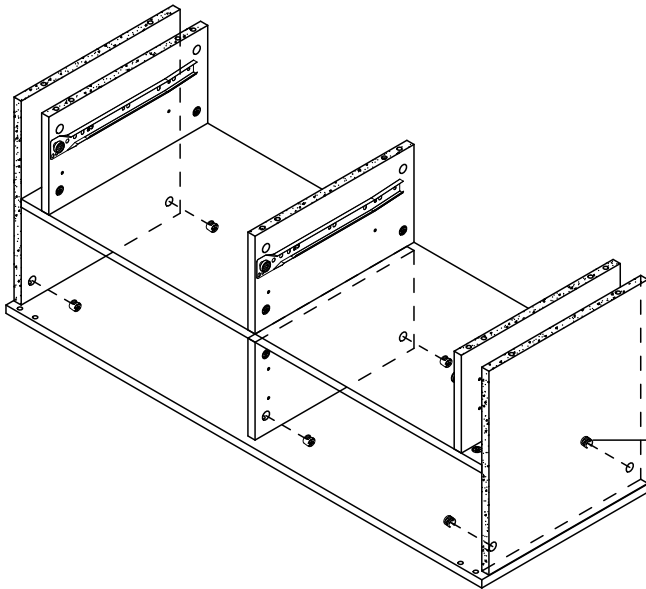


Mx6



Lx6  
Mx6

8

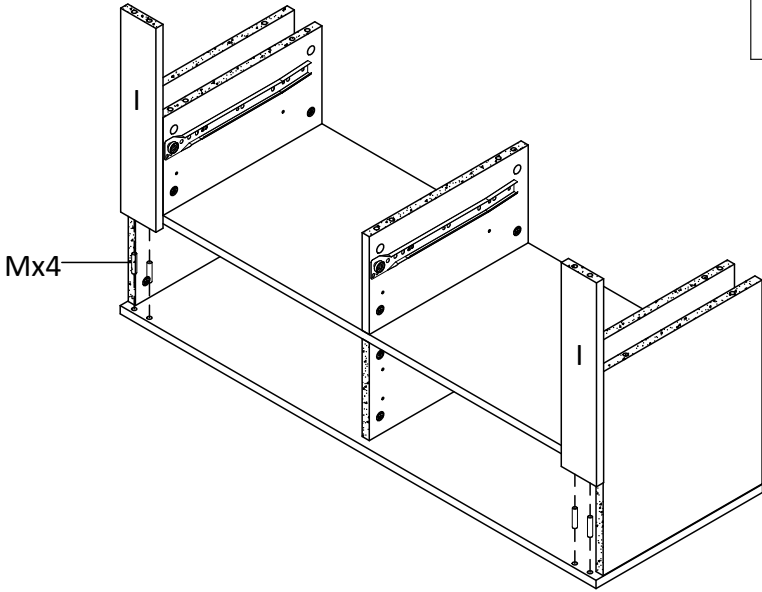


Nx6



Nx6

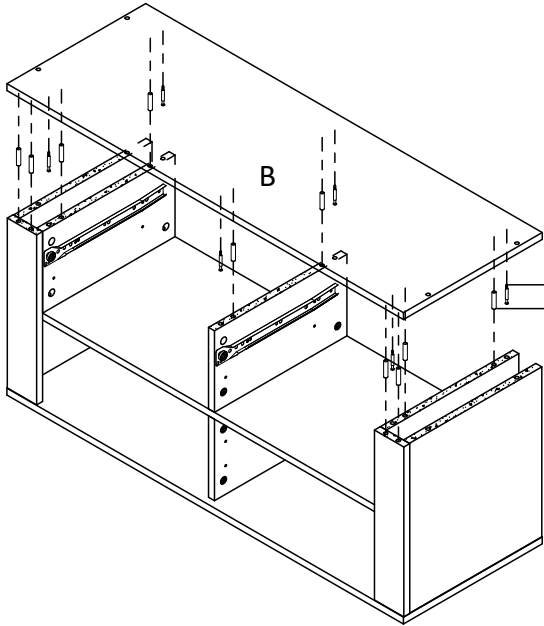
9



Mx4



10

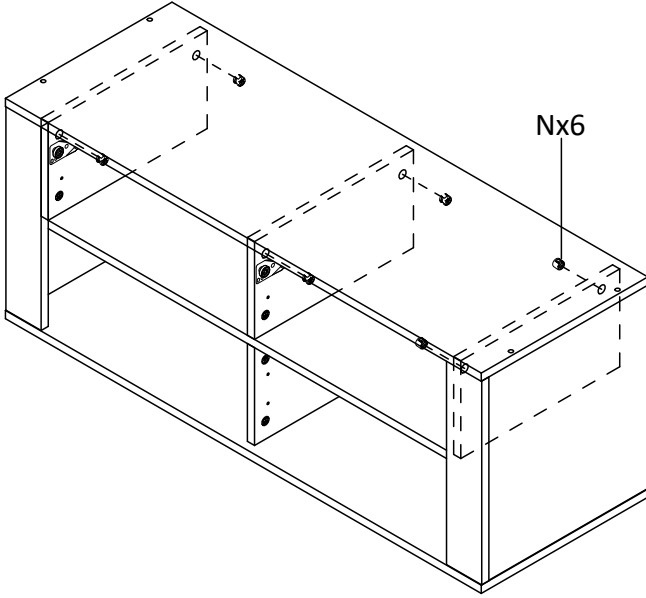


Lx6

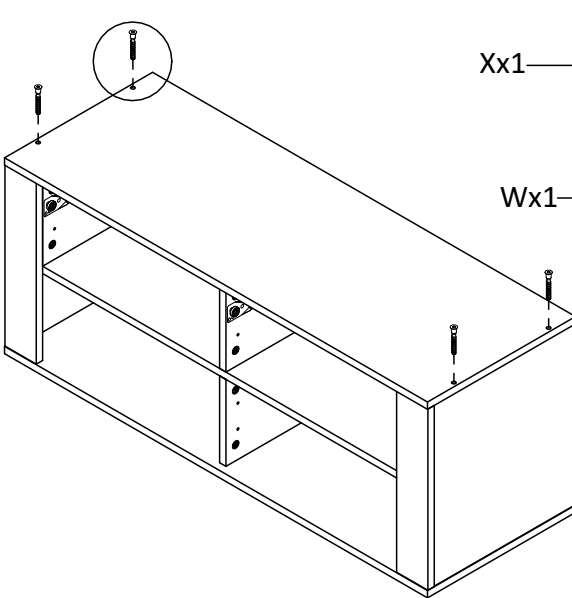


Mx10





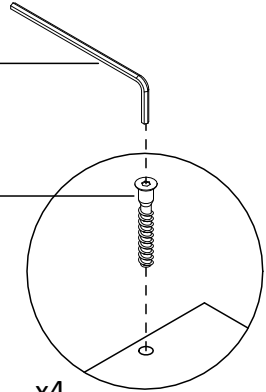
12



Xx1

Wx1

x4



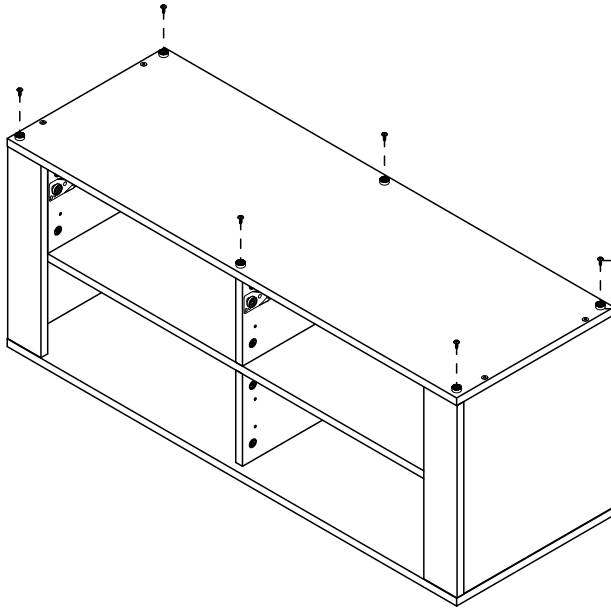
Wx4



Xx1



13



Ox6



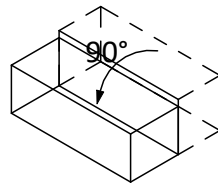
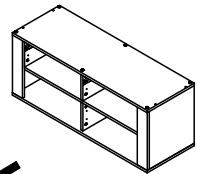
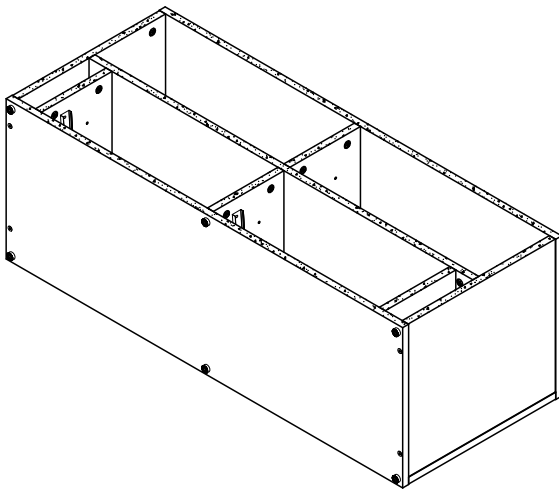
Px6



Px6

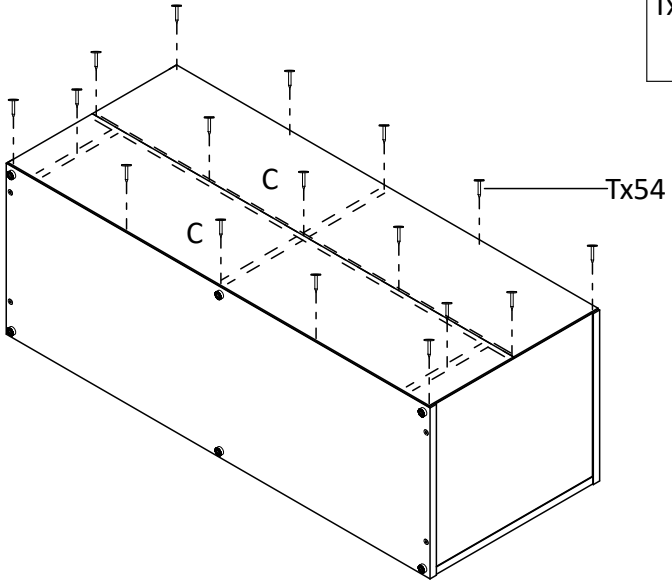
Ox6

14



x2

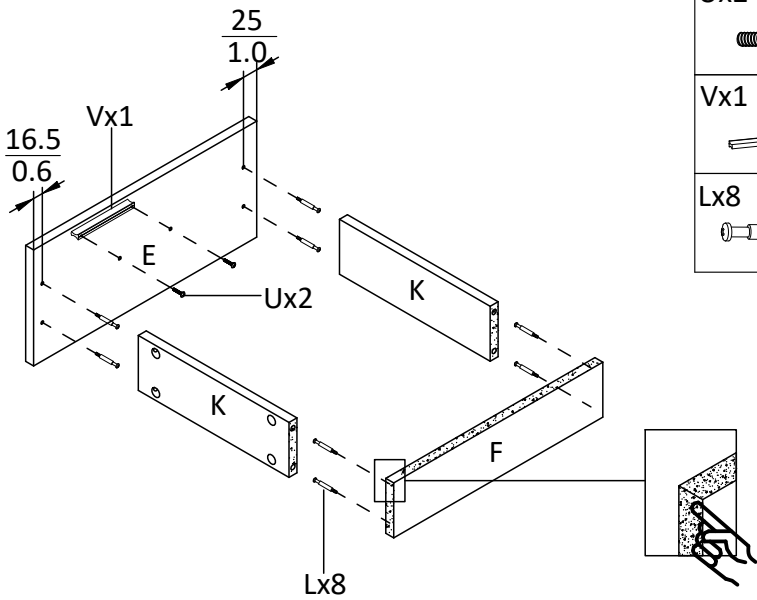
15



Tx54



16



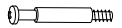
Ux2



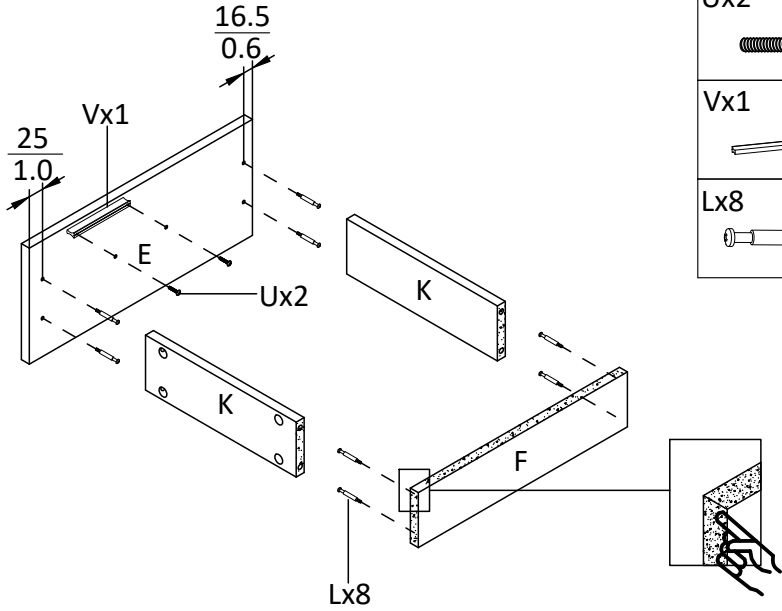
Vx1



Lx8



17



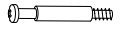
Ux2



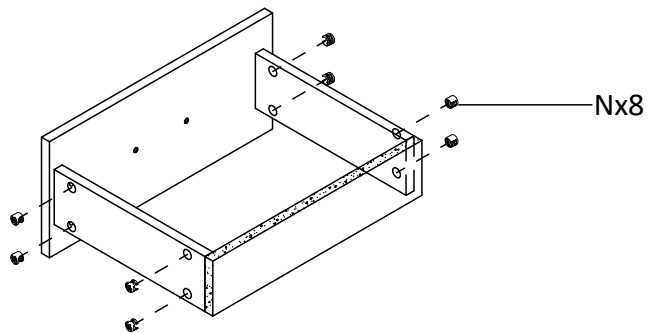
Vx1



Lx8



18 x2



Nx16

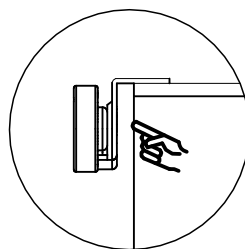
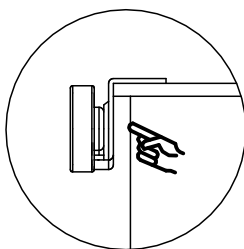
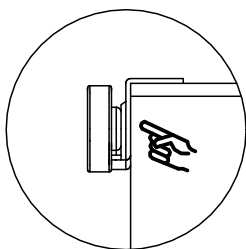
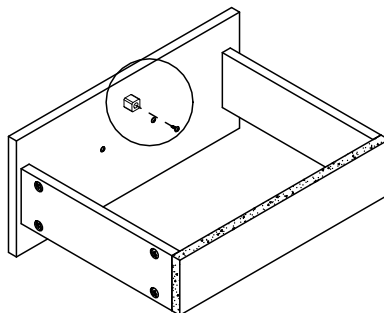
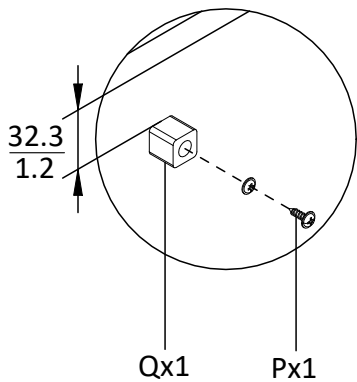


19 x2

Px2

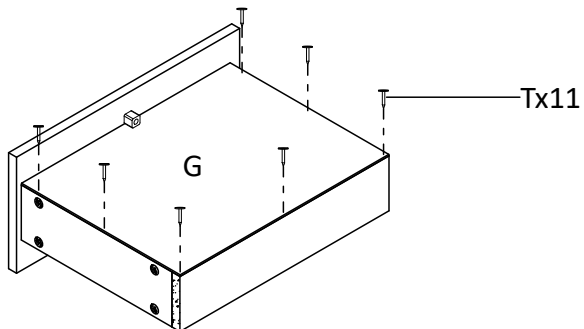


Qx2



20 x2

Tx22

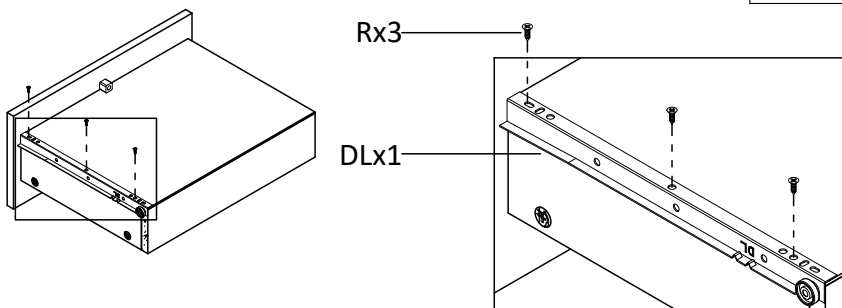


21 x2

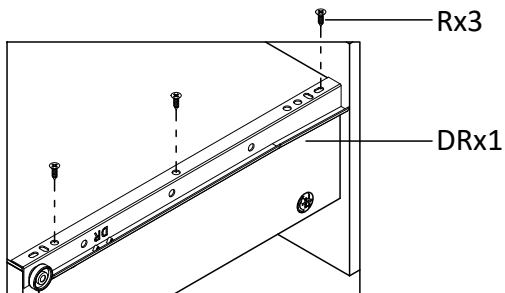
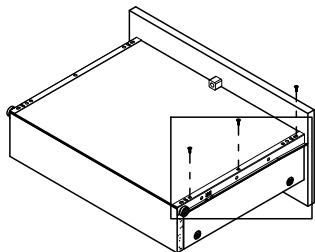
DLx2



Rx6



22 x2



DRx2



Rx6



C

23

