

RATTAN CHEST OF THREE DRAWERS

User Manual

INTRODUCTION

Thank you for purchasing our products. Committed to providing customers with the best quality products and service has always been our life-long goal. Before using the product, please read this instruction manual carefully to ensure correct use. Keep the instruction manual in a place where the user can find it at any time.

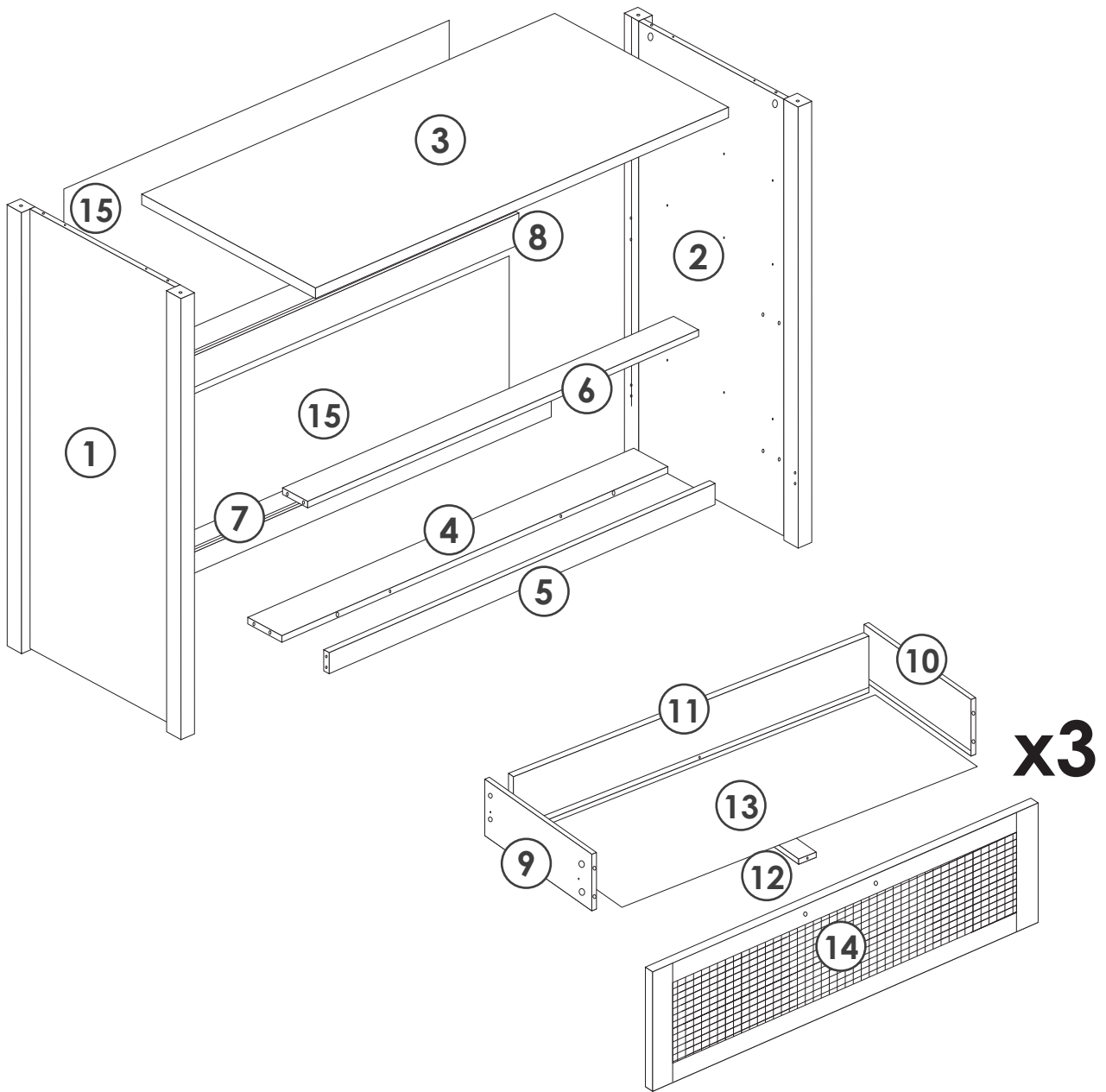
PRECAUTIONS

1. There are many components and accessories in the package. Each component and accessory is labeled with a letter or a number, check carefully before using any of them. Keep them away from children to prevent accidents.
2. Please install the product on a clean and soft underlay (such as carpet or cardboard) to avoid scratching or damaging the surface of the product.
3. The main components of the product is relatively heavy. Please pay attention to safety during installation.
4. The product is not stable during installation. Please do not move it randomly before it is completely installed.
5. If you have any questions during installation, please contact the customer service in time.

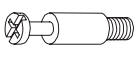


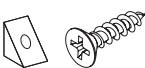

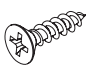
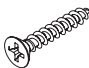

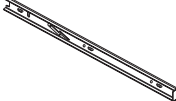





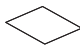
***PLEASE BE SURE TO FOLLOW THE INSTALLATION STEPS IN THE MANUAL TO AVOID UNNECESSARY LOSSES CAUSED BY IMPROPER INSTALLATION.**

***IF YOU NEED FUTHER ASSIATANCE,PLEASE CONTACT THE CUSTOMER SERVICE ONLINE.**

PARTS LIST

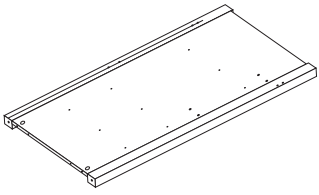
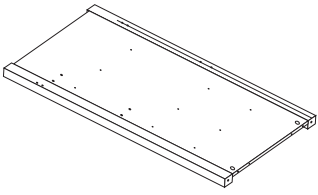
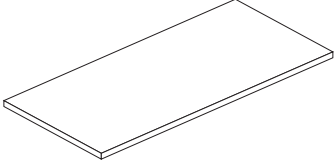
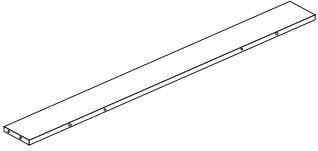
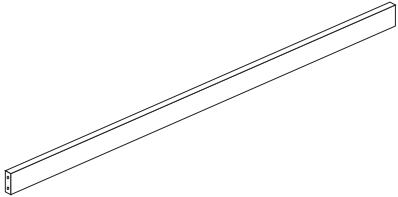
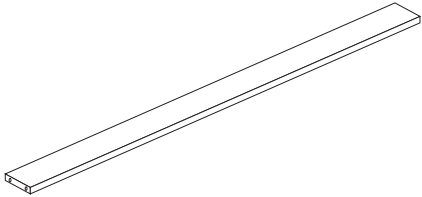
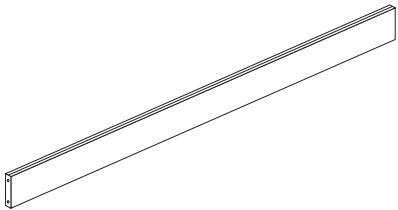
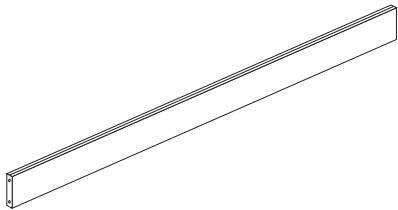
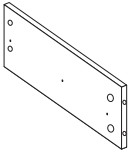
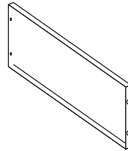
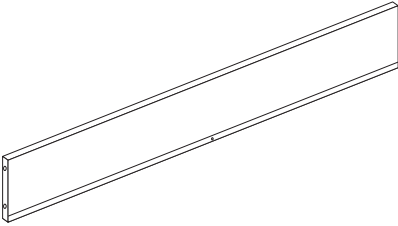
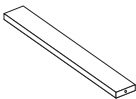
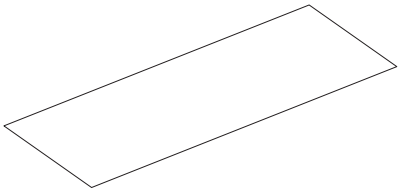
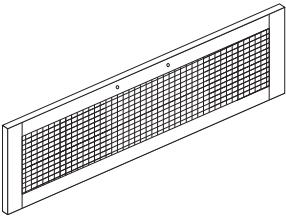
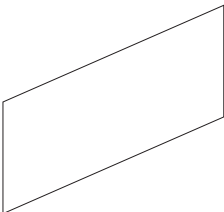


HARDWARES LIST

A 6x35mm  x39	B 15x10mm  x39	C 6x30mm  x12	D 3x14mm  x8	E 105x16x9mm  x3
F 3x12mm  x36	G 4x30mm  x15	H 290mm  x6	I 290mm  x6	J  x4
K  x2	L 4x35mm  x2	M 4x12mm  x2	N 4x18mm  x6	O 30x30x2mm  x4

Unit: (mm)

PARTS LIST

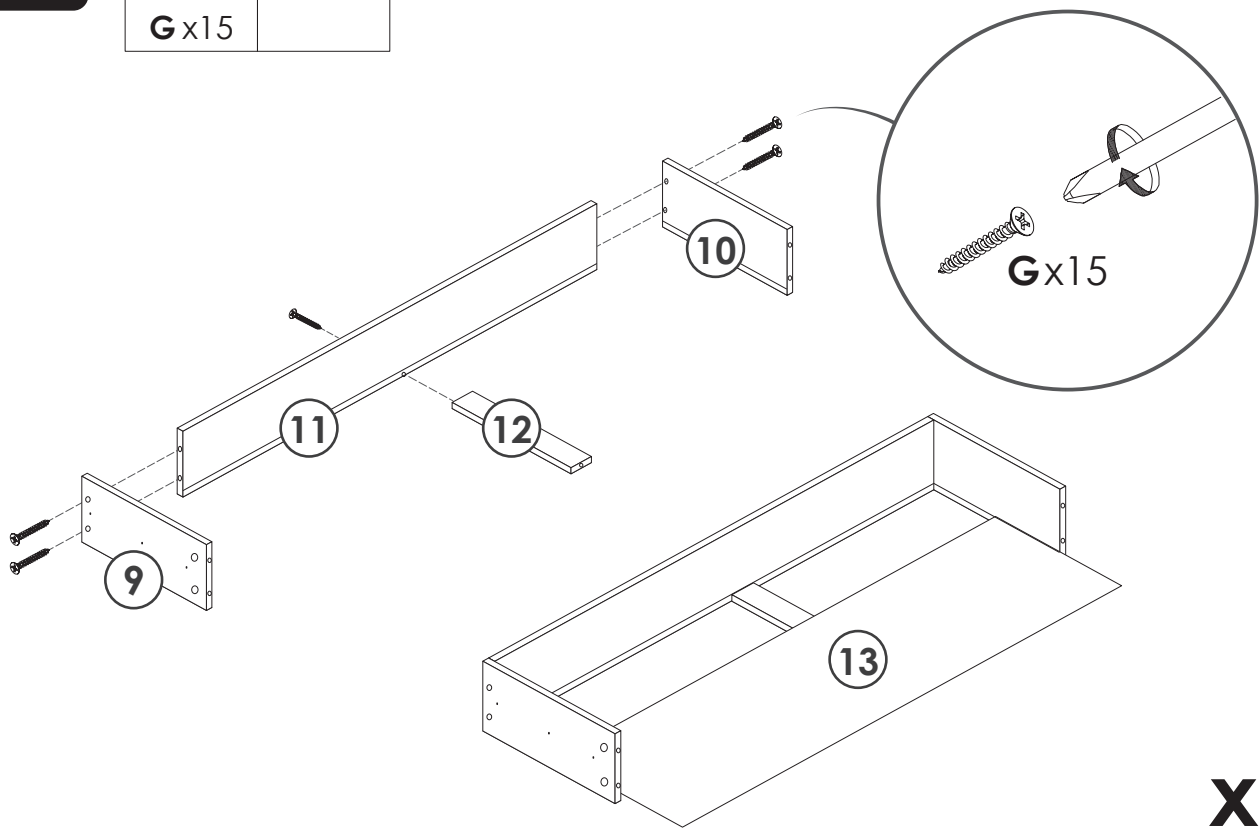
1  x1	2  x1
3  x1	4  x1
5  x1	6  x1
7  x1	8  x1
9  x3	10  x3
11  x3	12  x3
13  x3	14  x3
15  x2	

INSTALLATION STEPS

1

YOU WILL NEED

G x15

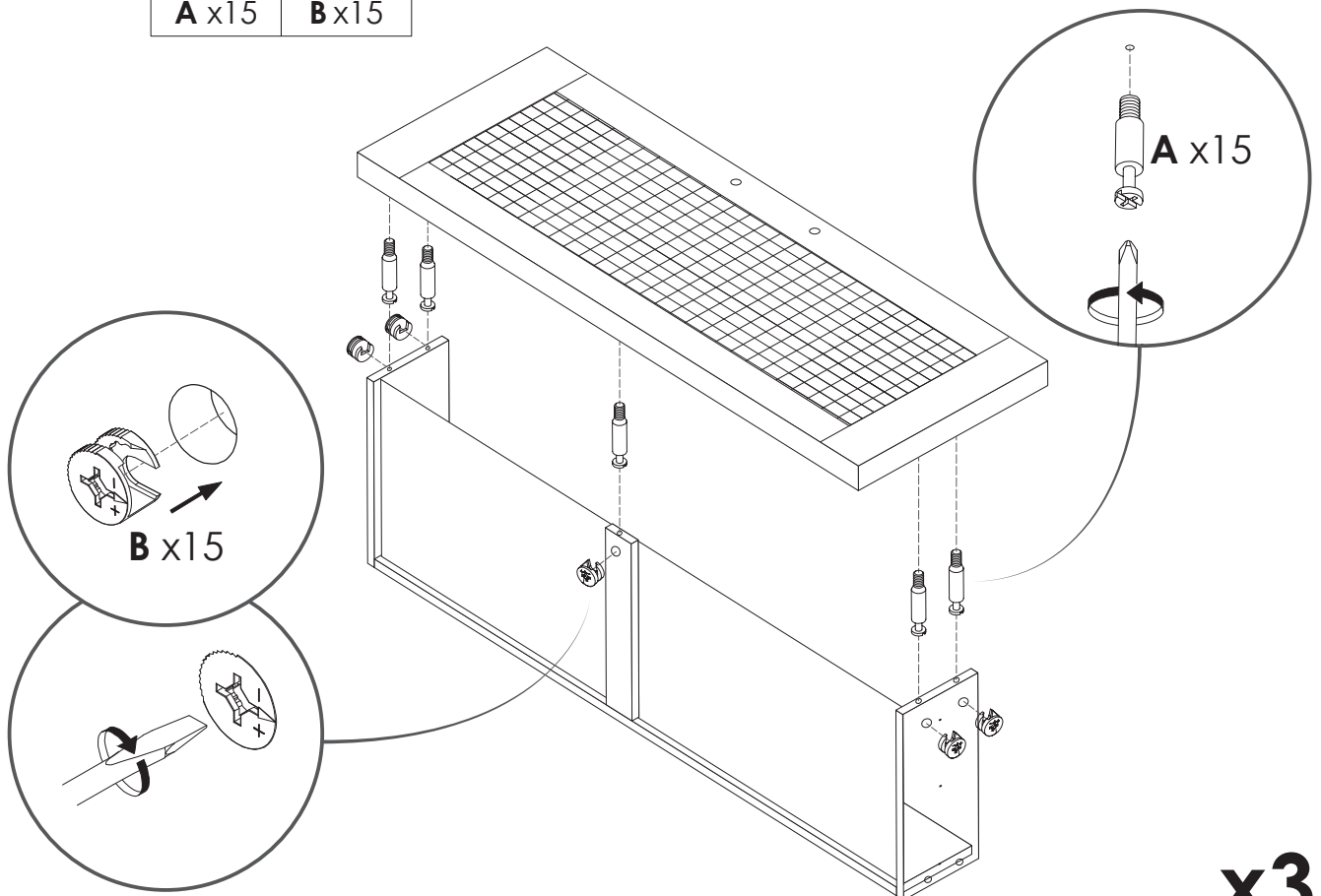


2

YOU WILL NEED

A x15

B x15



3

YOU WILL NEED

I x6

F x18

E x3

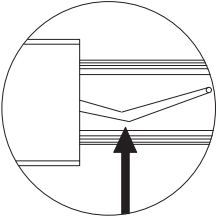
N x6



H

I

2:



3:



H

I

BACK

FRONT

BACK

I

FRONT

Nx6

BACK

FRONT

x3

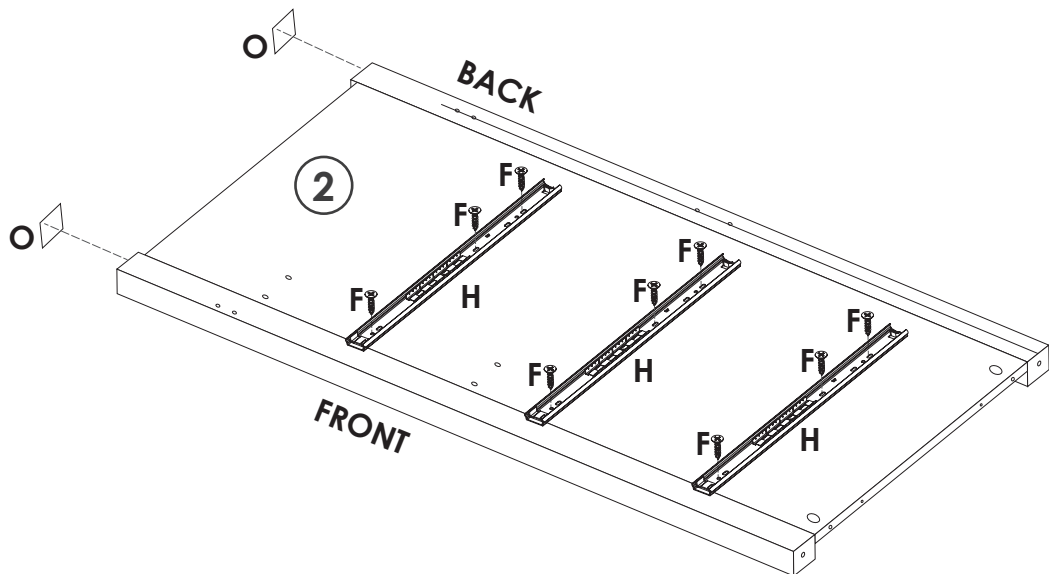
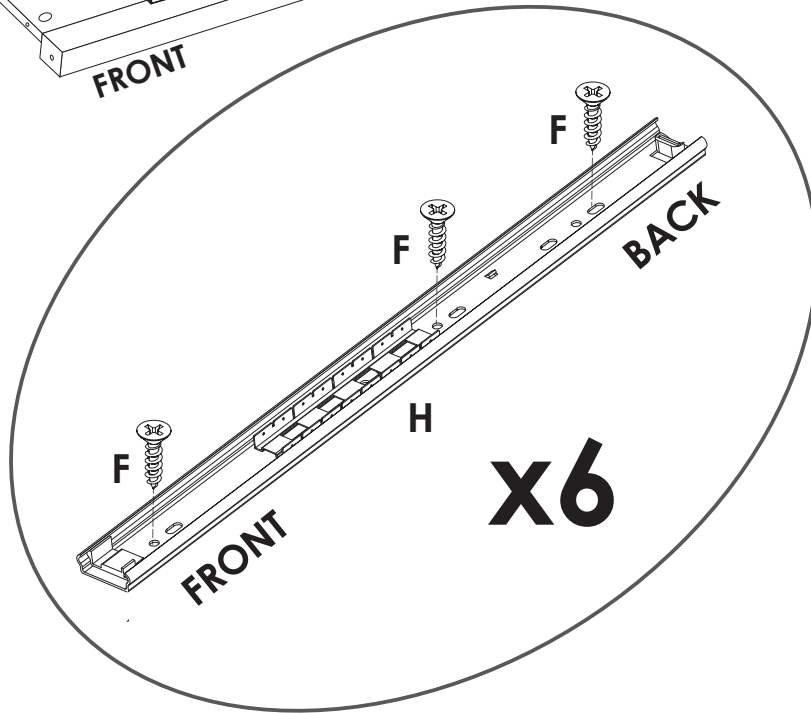
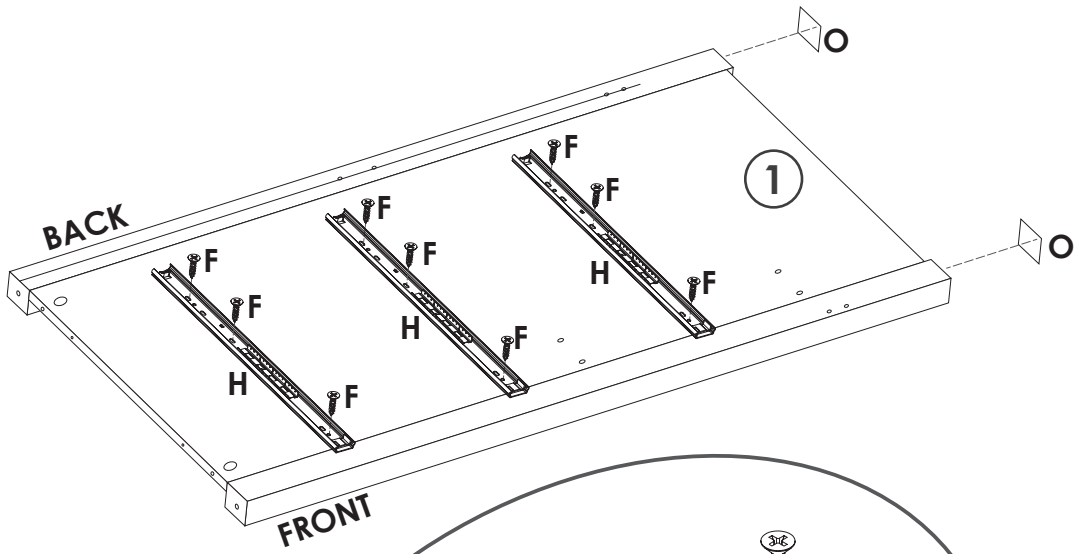
4

YOU WILL NEED

H x6

F x18

O x4



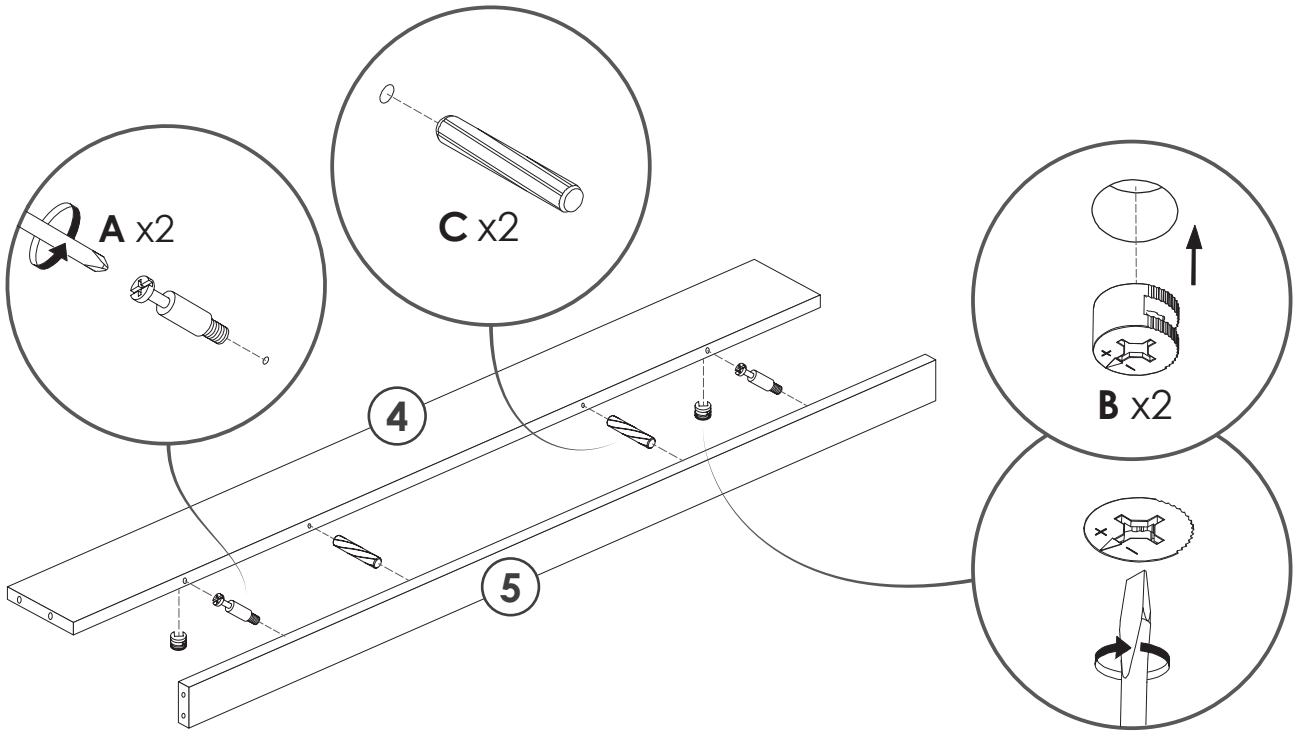
5

YOU WILL NEED

A x2

B x2

C x2



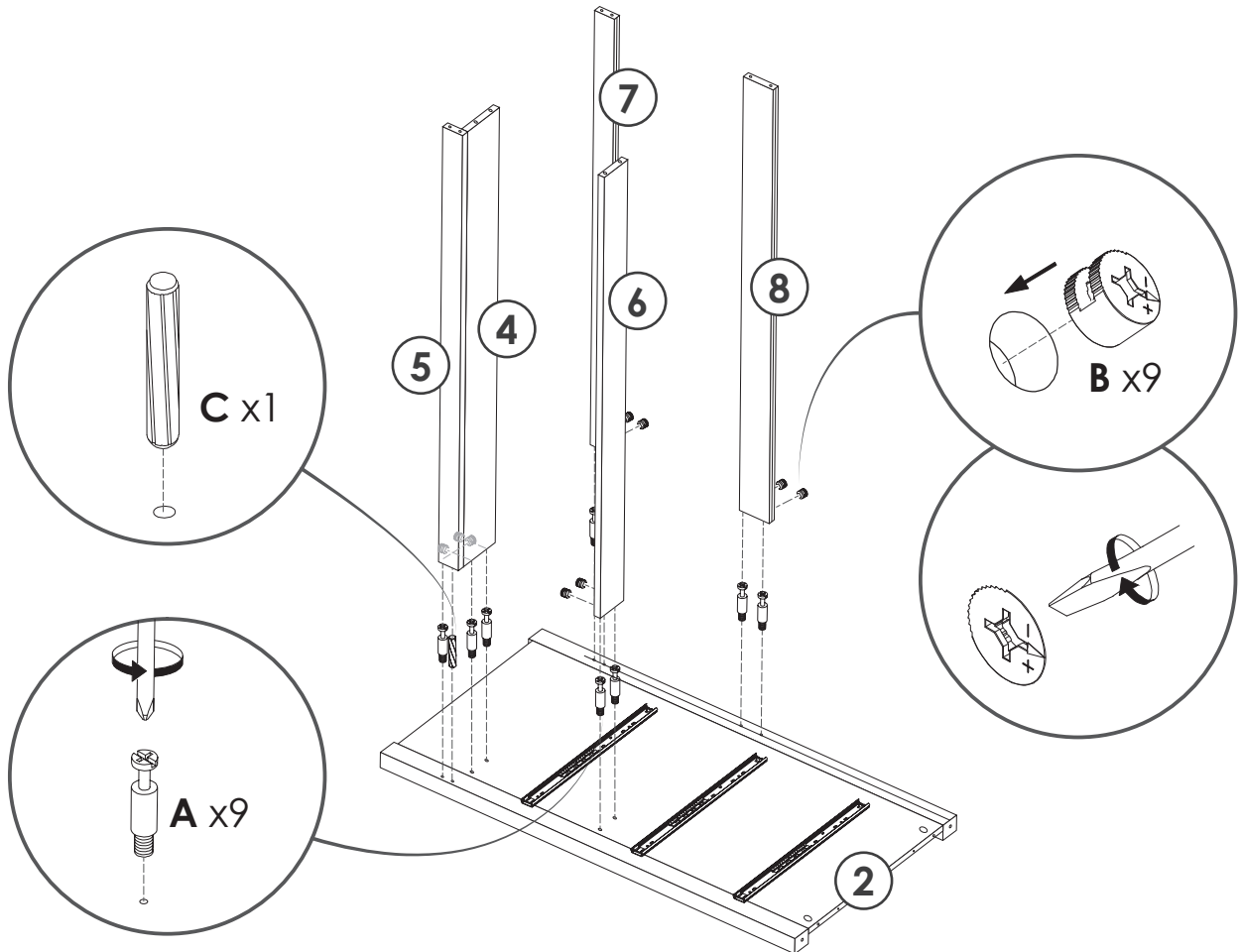
6

YOU WILL NEED

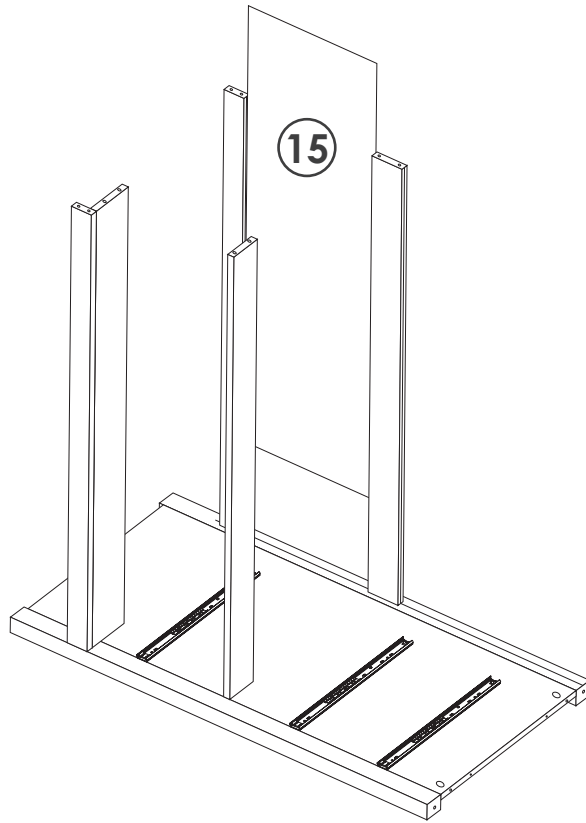
A x9

B x9

C x1



7



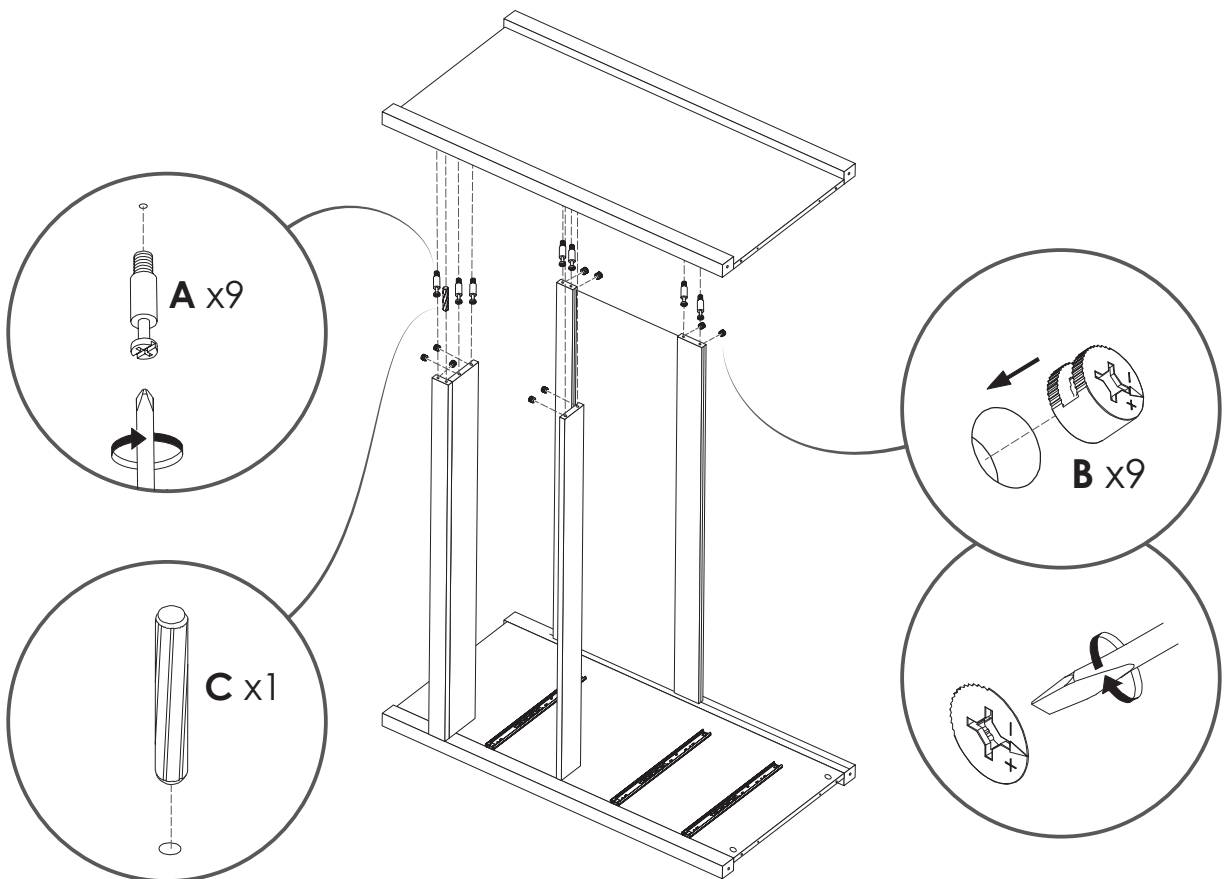
8

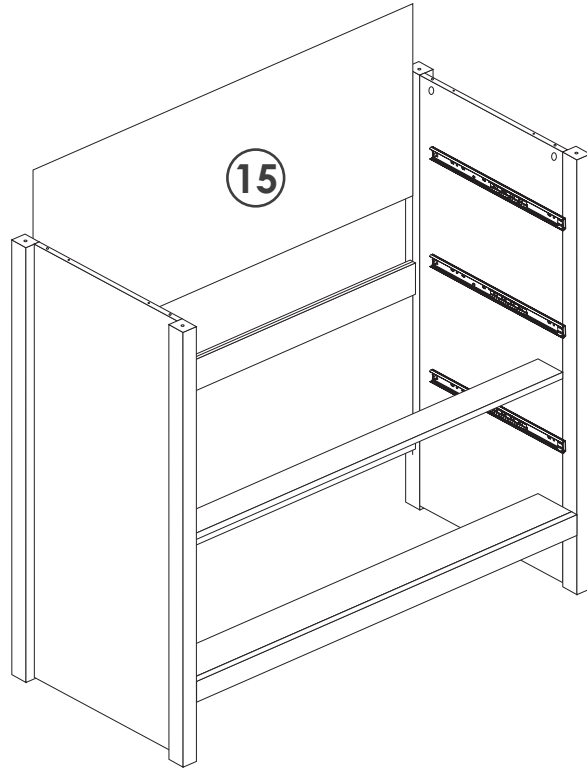
YOU WILL NEED

A x9

B x9

C x1



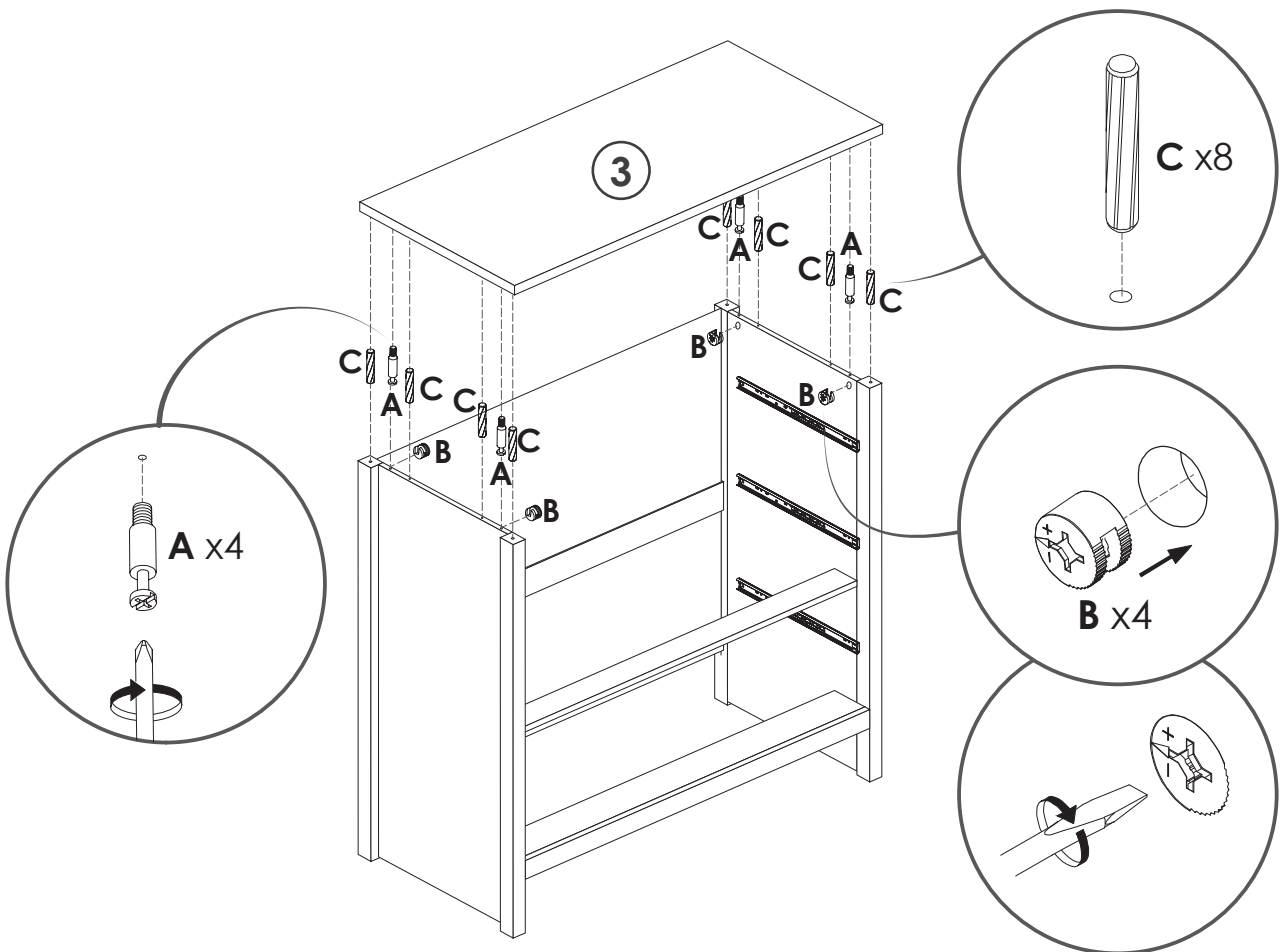


YOU WILL NEED

A x4

B x4

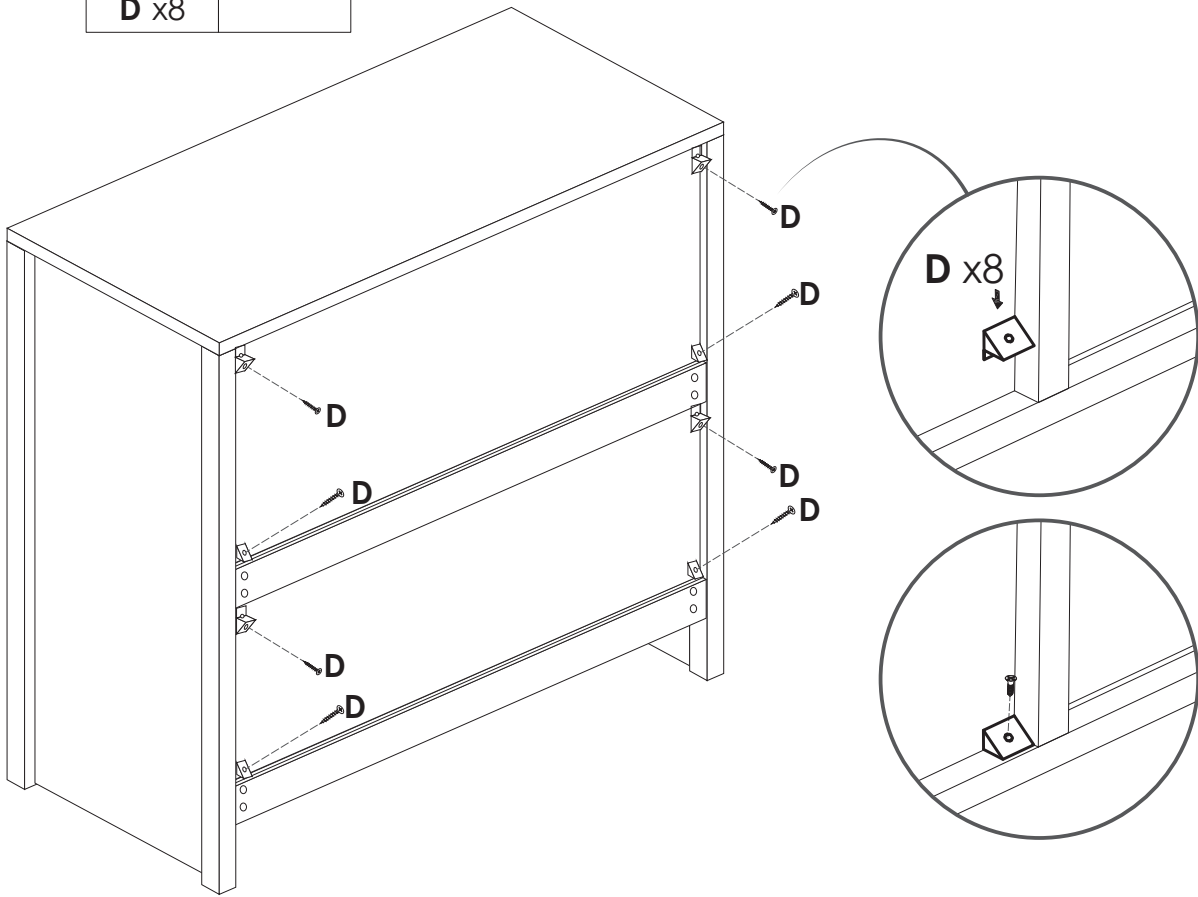
C x8



11

YOU WILL NEED

D x8



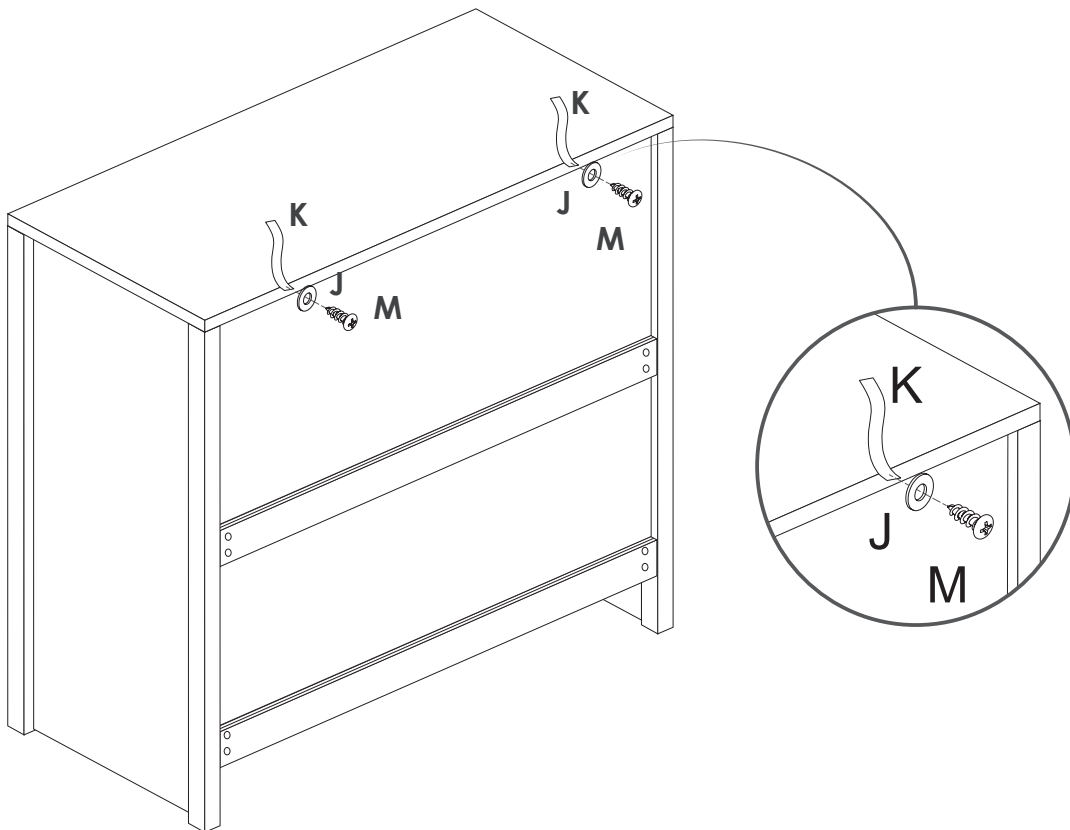
12

YOU WILL NEED

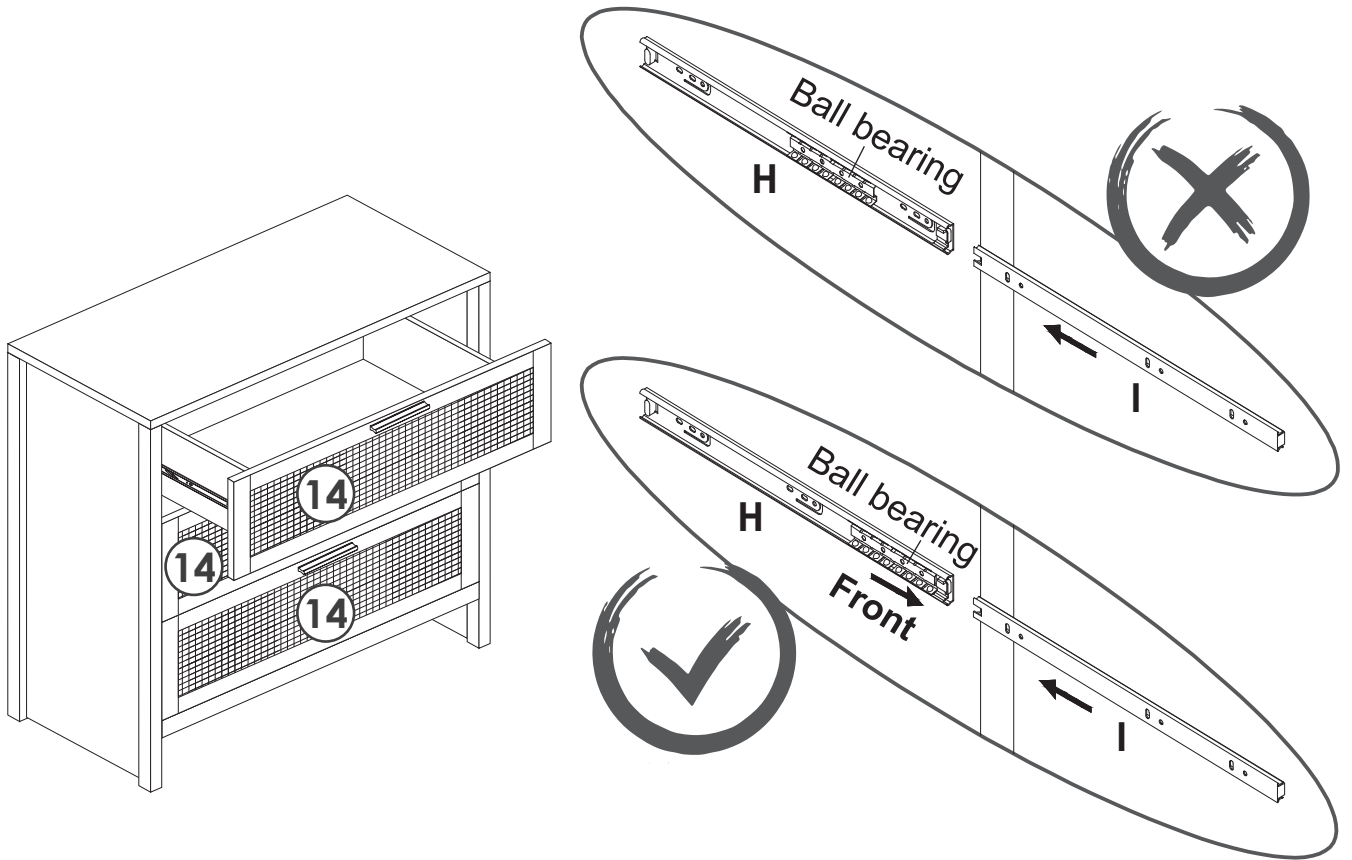
J x2

K x2

M x2



13



14

YOU WILL NEED

Jx2

Lx2

