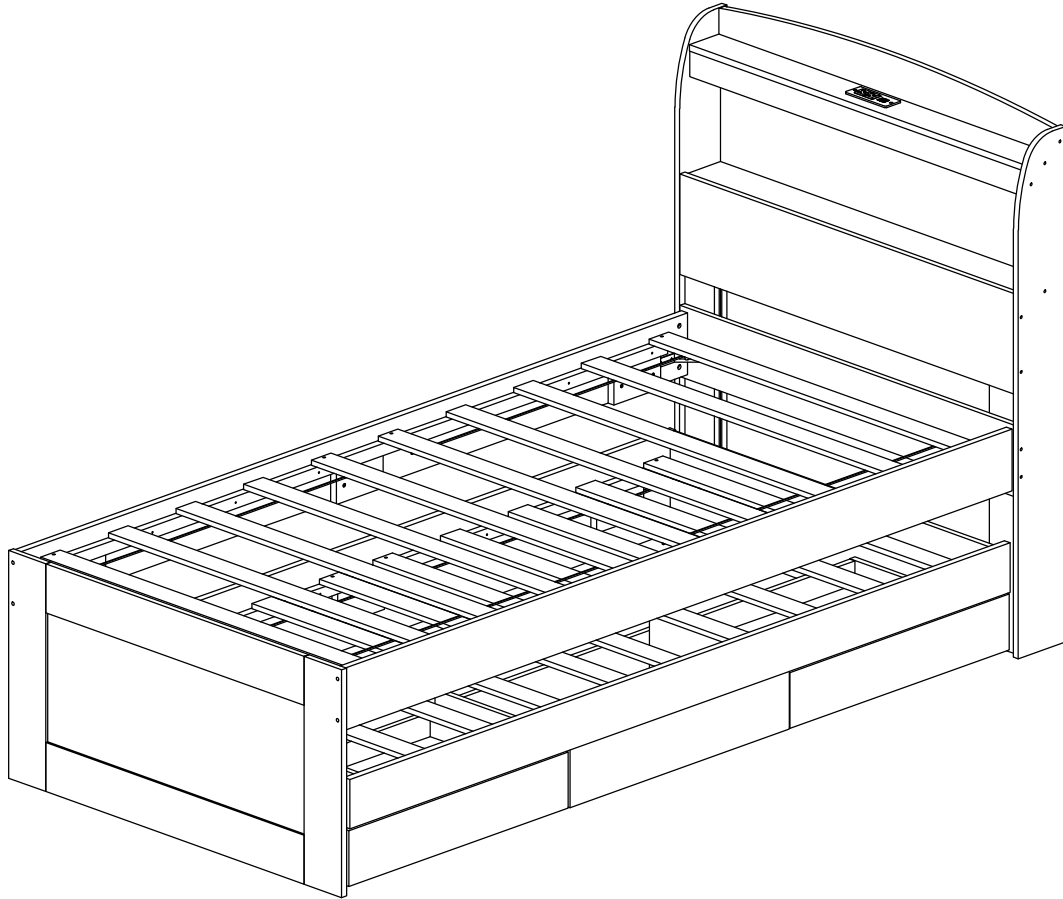


# ASSEMBLY INSTRUCTIONS



## **IMPORTANT NOTE**

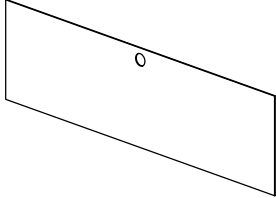
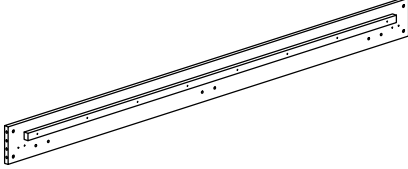
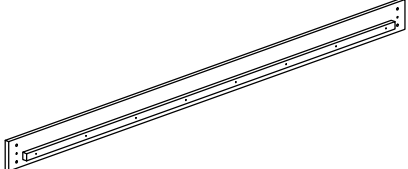
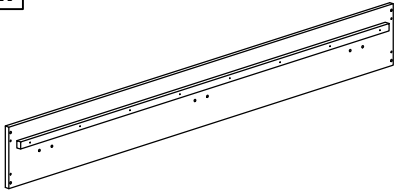
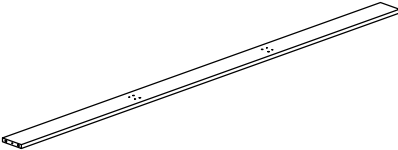
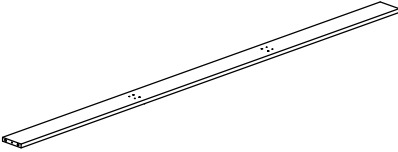
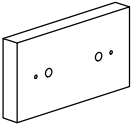
**\*\* PLACE ALL PARTS ON A CLEAN AND SMOOTH SURFACE SUCH AS A RUG OR CARPET TO AVOID THE PARTS FROM BEING SCRATCHED**

**\*\* BEFORE YOU BEGIN , KINDY FOLLOW THE ASSEMBLY INSTRUCTIONS STEP BY STEP**

**\*\* DO NOT TIGHTEN ALL SCREWS AND BOLTS UNTIL THE BED IS FULLY SET-UP**

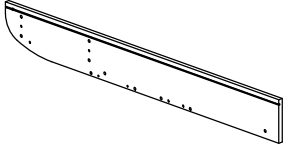
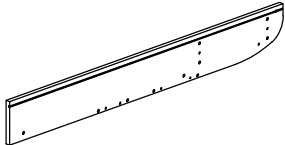
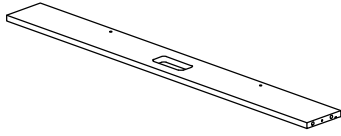
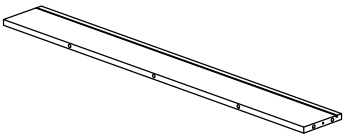
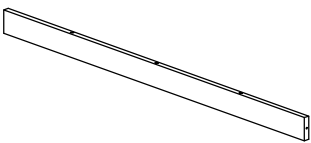
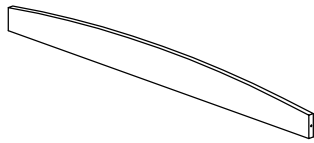
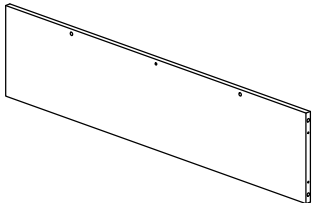
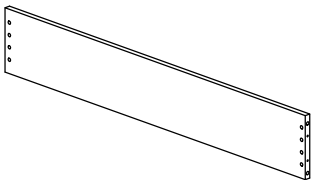
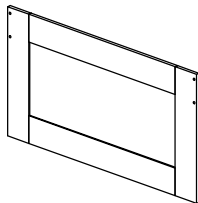
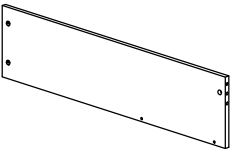
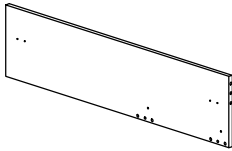
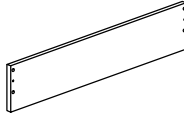
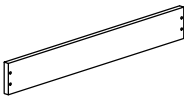
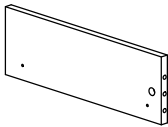
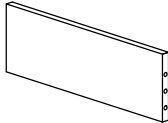
# ASSEMBLY INSTRUCTIONS

## PART LIST BOX 1

<b>I</b>  Back Panel (Headboard) (1 pc)	<b>K</b>  Side Frame Panel (2 pcs)	<b>L</b>  Front Top Frame (Pull Bed) (1 pc)
<b>M</b>  Back Frame (Pull Bed) (1 pc)	<b>T</b>  Bottom Crossbar-1 (Pull Bed) (1 pc)	<b>U</b>  Bottom Crossbar-2 (Pull Bed) (1 pc)
<b>Z</b>  Support Stand (9 pcs)		

# ASSEMBLY INSTRUCTIONS

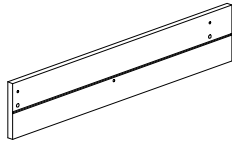
## PART LIST BOX 2

<p><b>A</b></p>  <p>Side Panel-L (Headboard) (1 pc)</p>	<p><b>B</b></p>  <p>Side Panel-R (Headboard) (1 pc)</p>	<p><b>C</b></p>  <p>Top Panel (Headboard) (1 pc)</p>
<p><b>D</b></p>  <p>Partition Panel (Headboard) (1 pc)</p>	<p><b>E</b></p>  <p>Top Panel Crossbar (Headboard) (1 pc)</p>	<p><b>F</b></p>  <p>Top Panel Back Crossbar (Headboard) (1 pc)</p>
<p><b>G</b></p>  <p>Front Panel (Upper) (Headboard) (1 pc)</p>	<p><b>H</b></p>  <p>Front Panel (Middle) (Headboard) (1 pc)</p>	<p><b>J</b></p>  <p>Footboard (1 pc)</p>
<p><b>N</b></p>  <p>Side Panel-L (Pull Bed) (1 pc)</p>	<p><b>O</b></p>  <p>Side Panel-R (Pull Bed) (1 pc)</p>	<p><b>P</b></p>  <p>Front Bottom Frame (Pull Bed) (1 pc)</p>
<p><b>Q</b></p>  <p>Stand Panel-C (Pull Bed) (1 pc)</p>	<p><b>R</b></p>  <p>Stand Panel-L (Pull Bed) (1 pc)</p>	<p><b>S</b></p>  <p>Stand Panel-R (Pull Bed) (1 pc)</p>

# ASSEMBLY INSTRUCTIONS

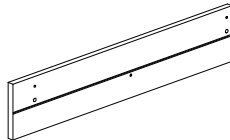
## PART LIST BOX 2

**V**



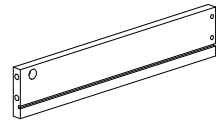
Drawer Front Panel-L (1 pc)

**W**



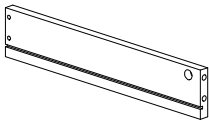
Drawer Front Panel-R (1 pc)

**X**



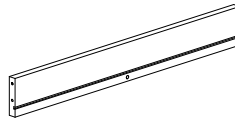
Drawer Side Panel-L (2 pcs)

**Y**



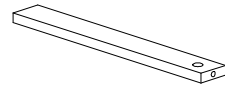
Drawer Side Panel-R (2 pcs)

**Z1**



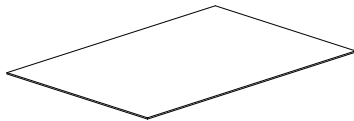
Drawer Back Panel (2 pcs)

**Z2**



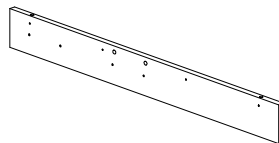
Drawer Bottom Crosbar (2 pcs)

**Z3**



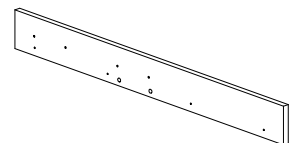
Drawer Bottom Panel (2 pcs)

**Z4**



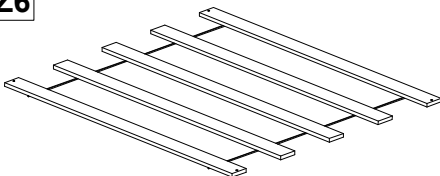
Back Crossbar-L (Headboard) (1 pc)

**Z5**



Back Crossbar-R (Headboard) (1 pc)

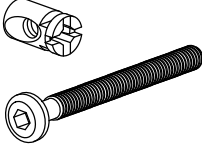
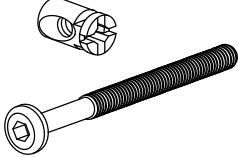
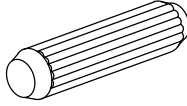
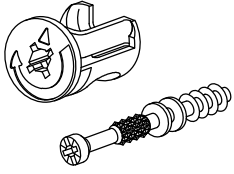


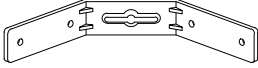

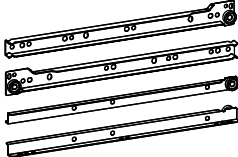
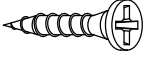

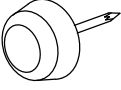
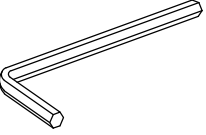

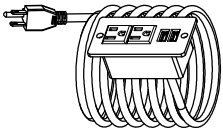

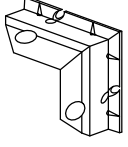
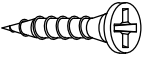

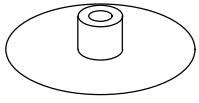
**Z6**



Slat - 976\*60\*12mm / pc (5 pcs / Set)  
(4 Sets)

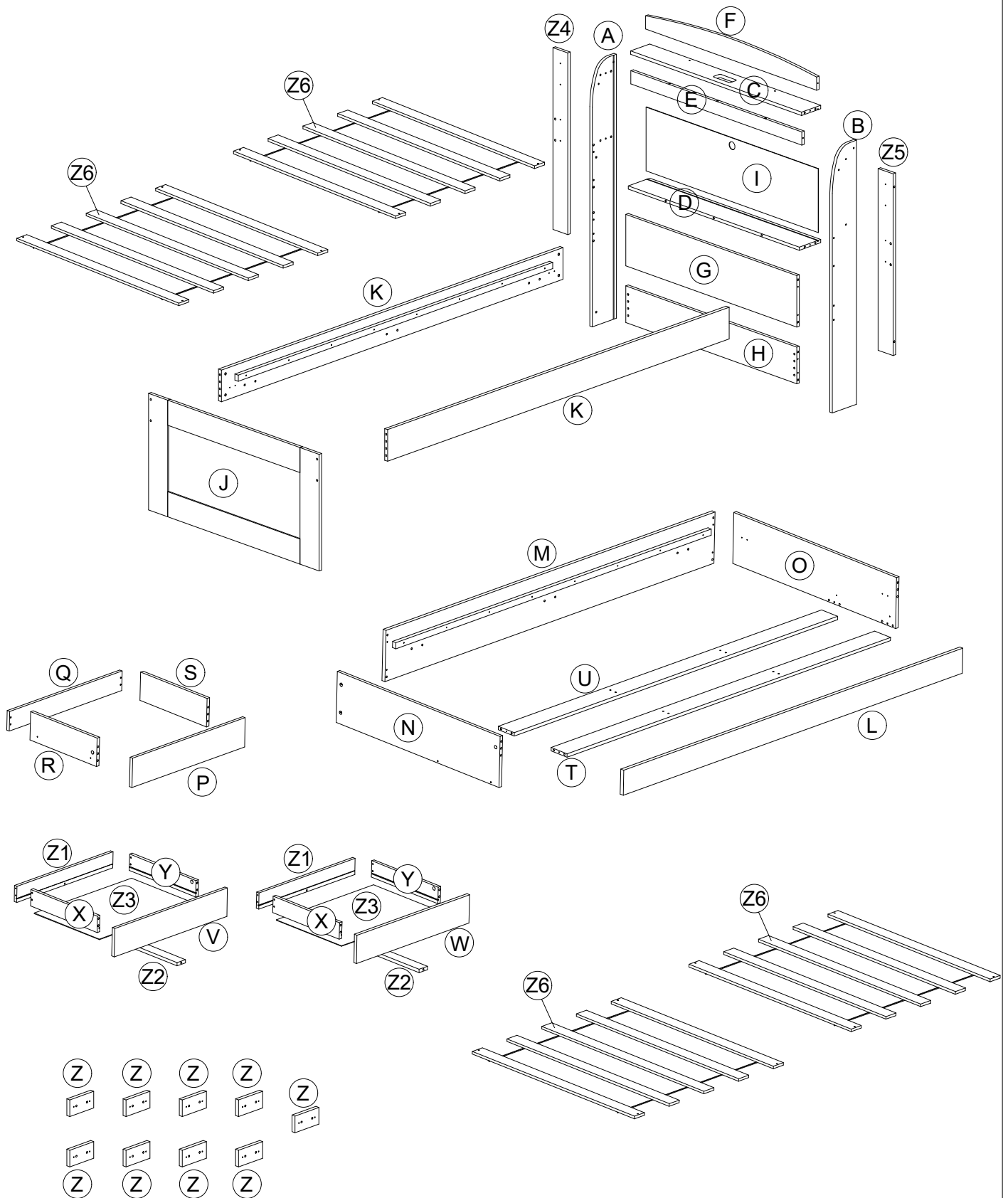
# ASSEMBLY INSTRUCTIONS

## HARDWARE LIST IN BOX 2

<p><b>1</b></p>  <p><b>JCBC - Blot M6x50mm (4 sets)</b></p>	<p><b>2</b></p>  <p><b>JCBC - Blot M6x70mm (4 sets)</b></p>	<p><b>3</b></p>  <p><b>8x25mm Wood Dowel (74 pcs)</b></p>	<p><b>4</b></p>  <p><b>15MM Myfix Minifix (18 sets)</b></p>
<p><b>5</b></p>  <p><b>M5x40mm Screw (42 pcs)</b></p>	<p><b>6</b></p>  <p><b>M4x30mm Screw (42 pcs)</b></p>	<p><b>7</b></p>  <p><b>Corner Bracket (8 pcs)</b></p>	<p><b>8</b></p>  <p><b>Caster Nylon White 38mm (8 pcs)</b></p>
<p><b>9</b></p>  <p><b>Drawer Slide 16" (400mm) (2 sets)</b></p>	<p><b>10</b></p>  <p><b>M3.5x16mm Screw (72 pcs)</b></p>	<p><b>11</b></p>  <p><b>M5x8mm Screw (Euro Screw) (8 pcs)</b></p>	<p><b>12</b></p>  <p><b>Nail Leg (8 pcs)</b></p>
<p><b>13</b></p>  <p><b>L-Key (1 pc)</b></p>	<p><b>14</b></p>  <p><b>Screw Cap (16 pcs)</b></p>	<p><b>15</b></p>  <p><b>Power Plug 2 plug + 2 USB (1 set)</b></p>	<p><b>16</b></p>  <p><b>Led With Switch 1 Meter With White Lighting (1 set)</b></p>
<p><b>17</b></p>  <p><b>Z Bracket (4 pcs)</b></p>	<p><b>18</b></p>  <p><b>M3x16mm Screw (10 pcs)</b></p>	<p><b>19</b></p>  <p><b>L - Bracket (8 pcs)</b></p>	<p><b>20</b></p>  <p><b>15MM Minifix Cap (4 pcs)</b></p>

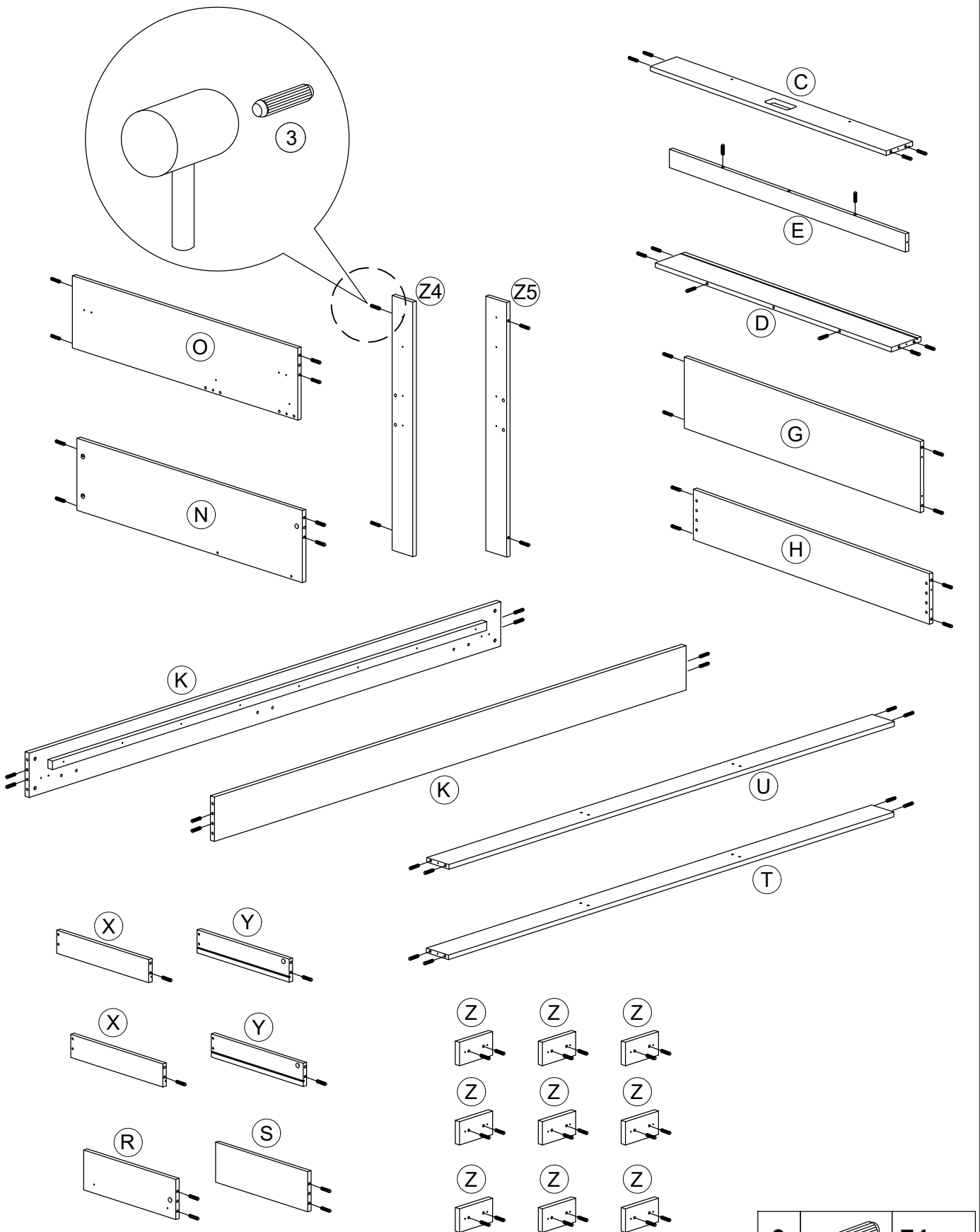
# ASSEMBLY INSTRUCTIONS

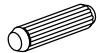
## EXPLODED VIEW



# ASSEMBLY INSTRUCTIONS

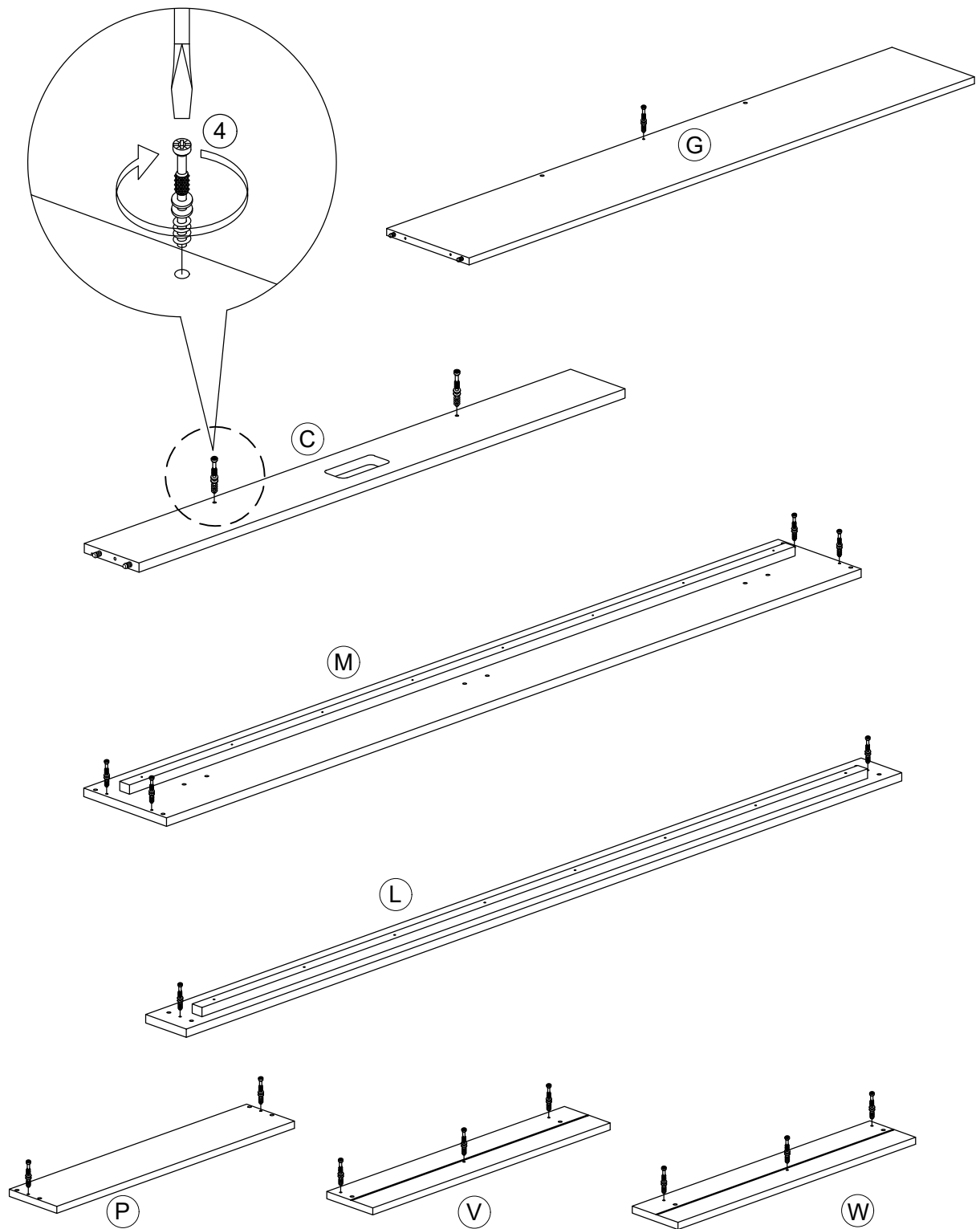
## STEP 1




3		74pcs
---	---------------------------------------------------------------------------------------	-------

# ASSEMBLY INSTRUCTIONS

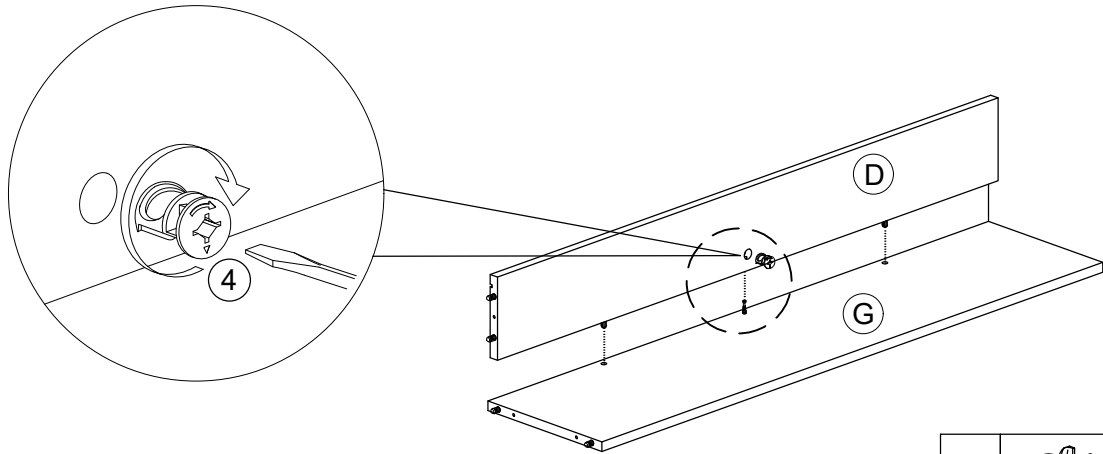
## STEP 2




4		17pcs
---	---------------------------------------------------------------------------------------	-------

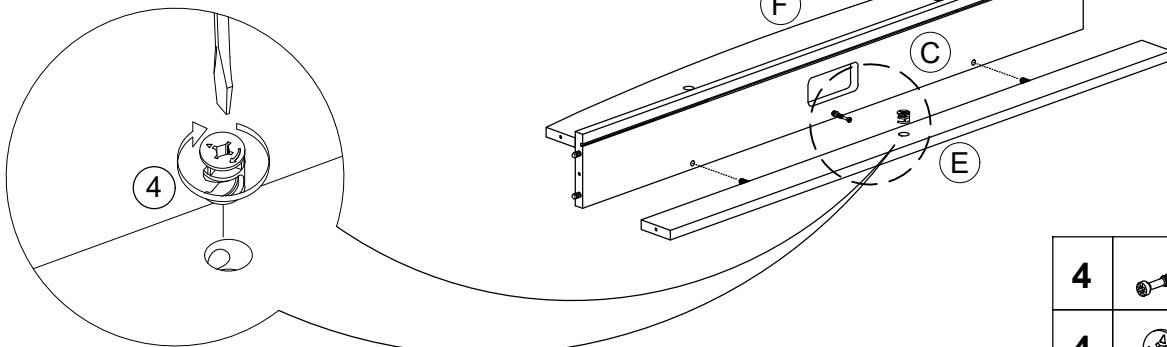
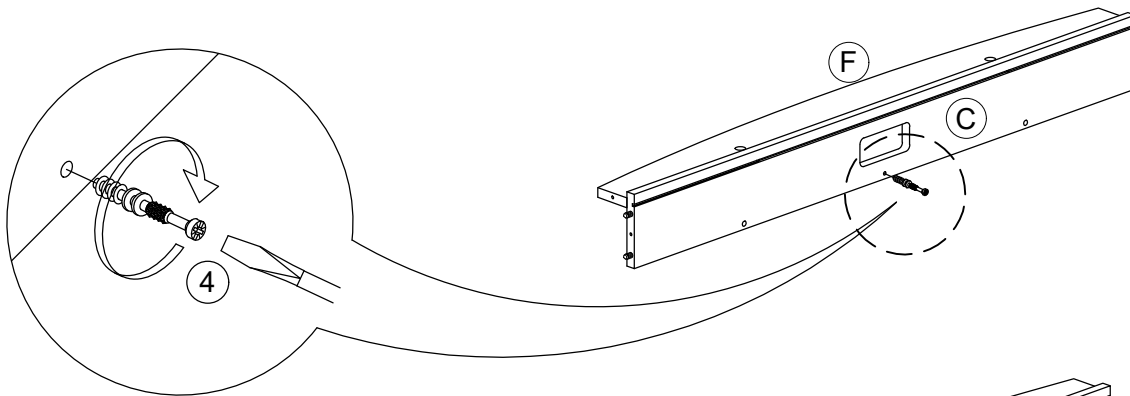
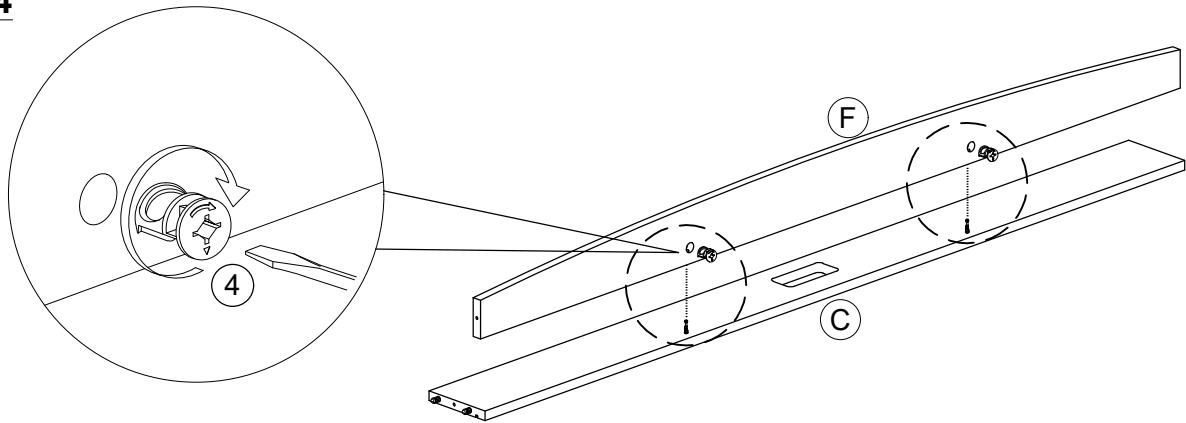
# ASSEMBLY INSTRUCTIONS



## STEP 3



4		1pc
---	-------------------------------------------------------------------------------------	-----

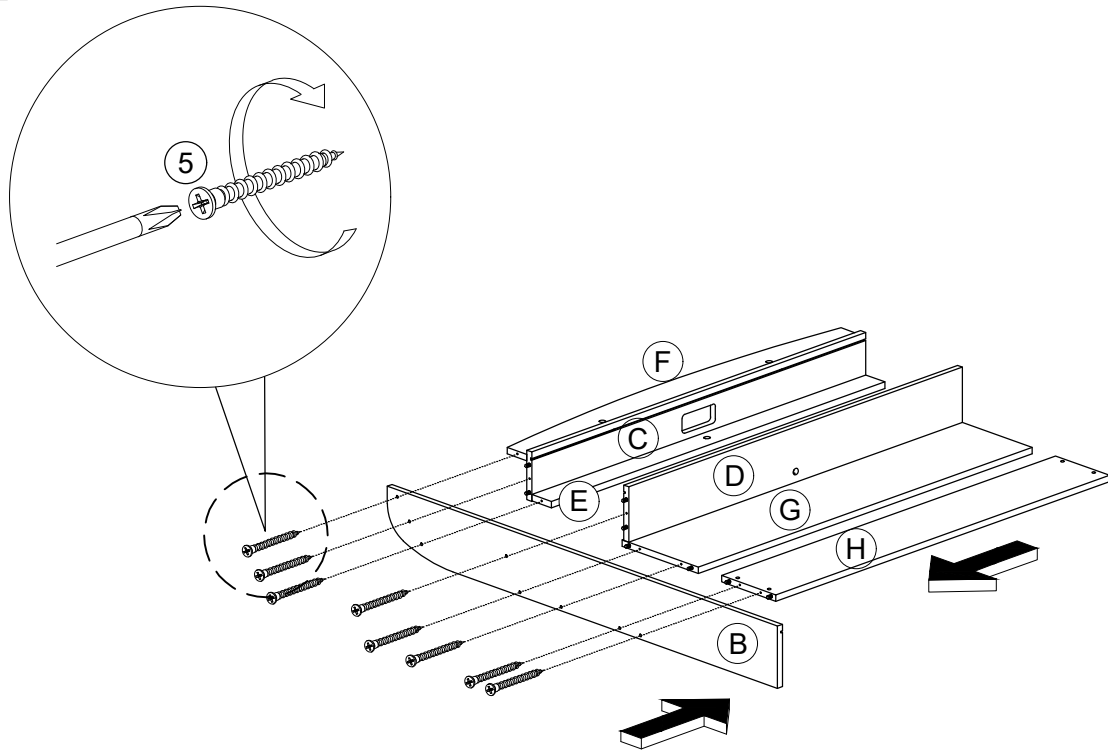
## STEP 4



4		1pc
4		3pcs

# ASSEMBLY INSTRUCTIONS

## STEP 5

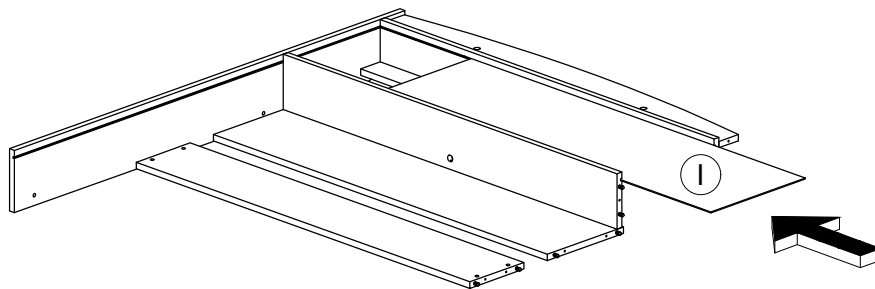


5



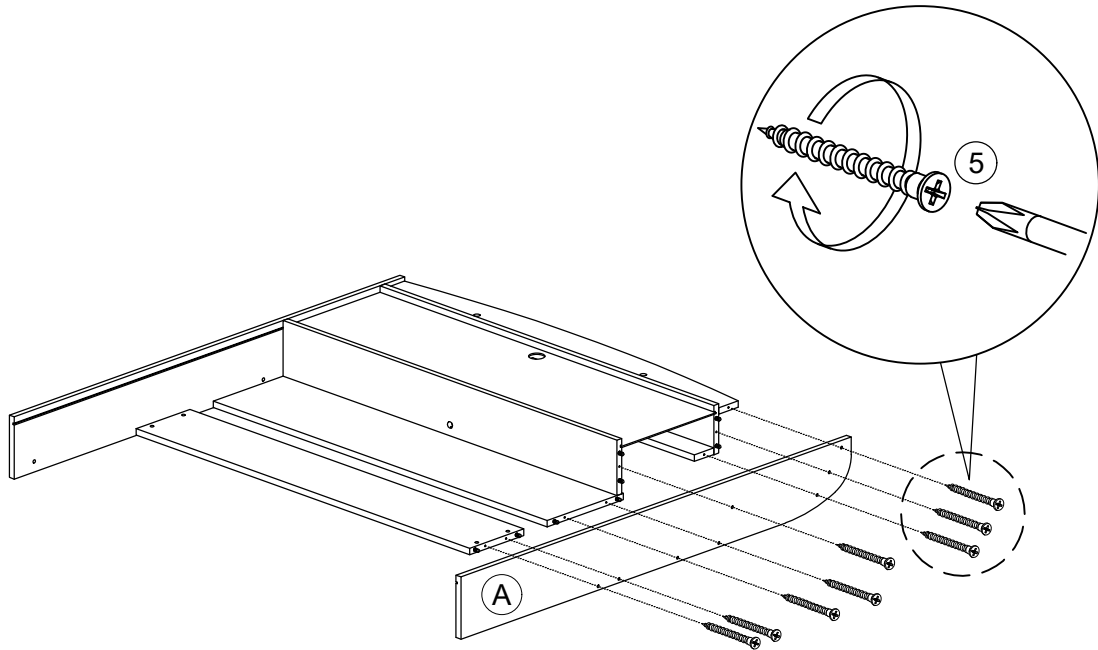
8pcs


## STEP 6



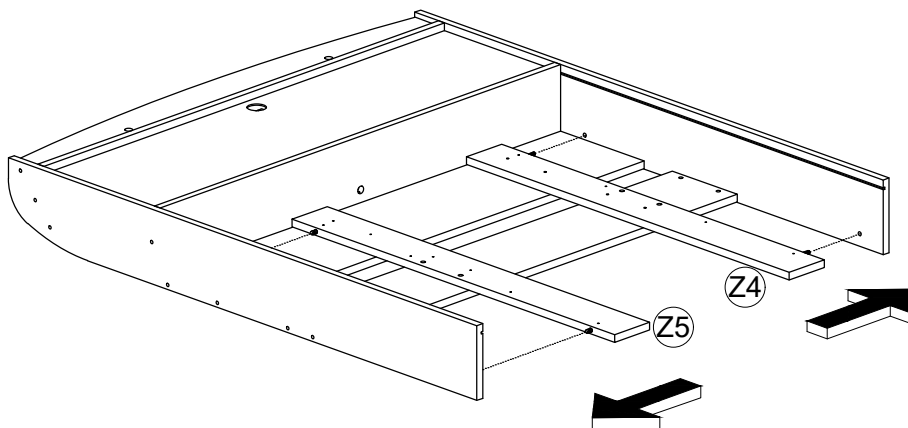
# ASSEMBLY INSTRUCTIONS

## STEP 7



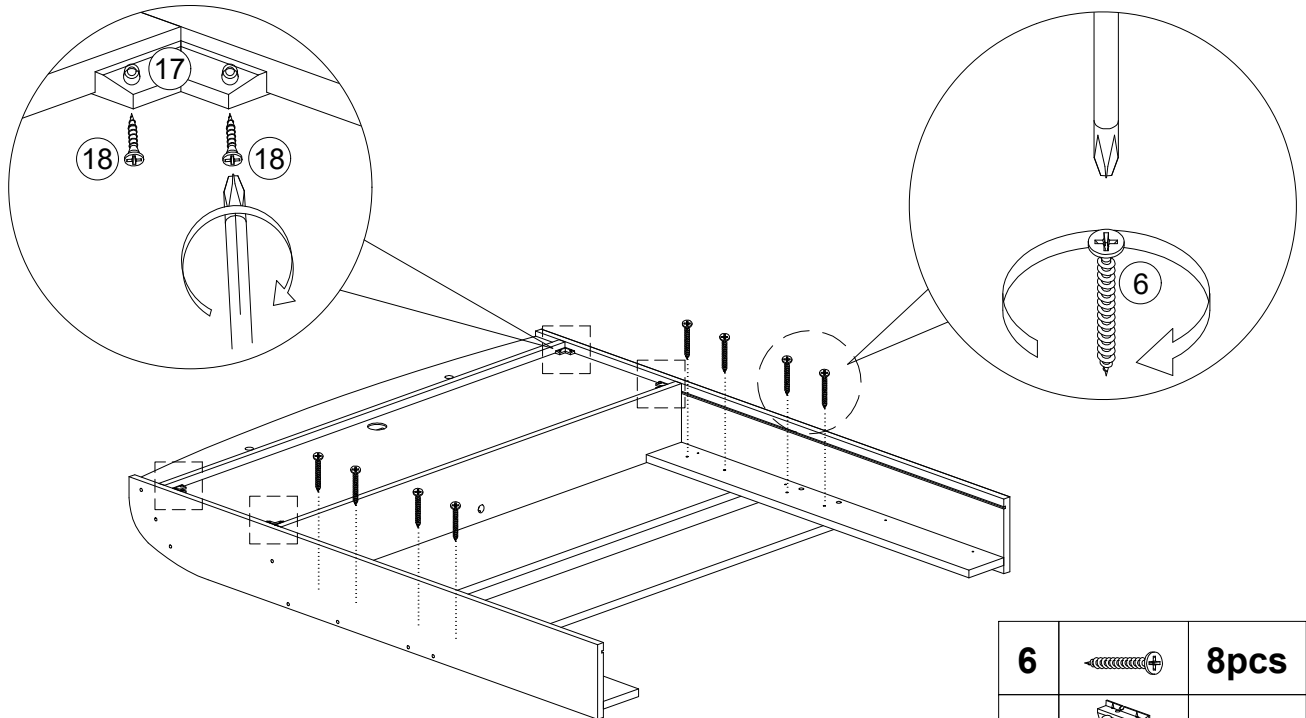
5		8pcs
---	---------------------------------------------------------------------------------------	------


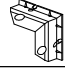
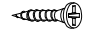
## STEP 8



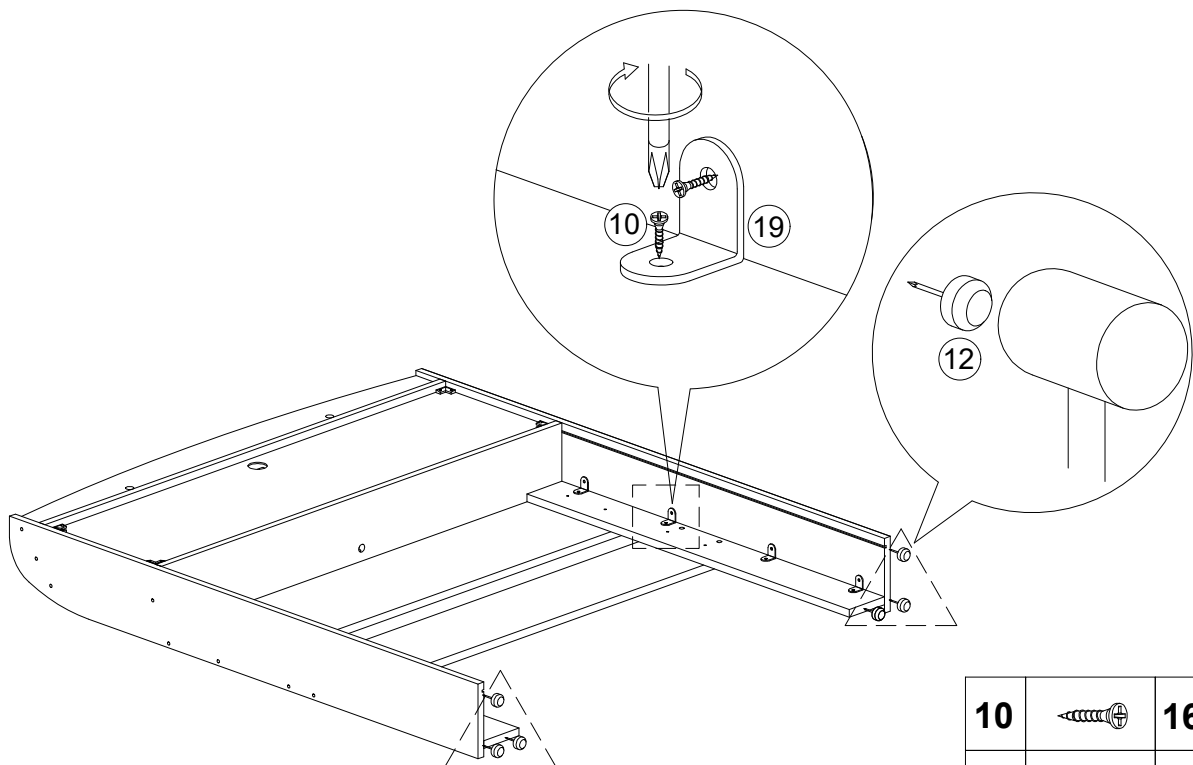
# ASSEMBLY INSTRUCTIONS

## STEP 9



6		8pcs
17		4pcs
18		8pcs

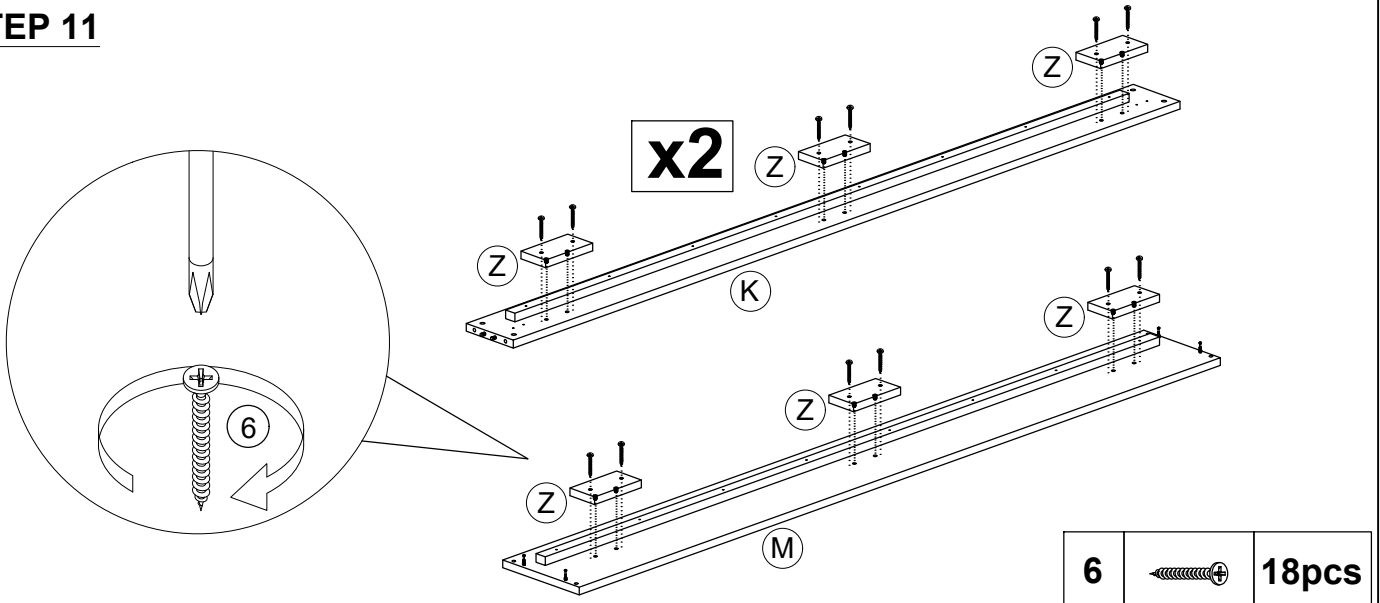
## STEP 10



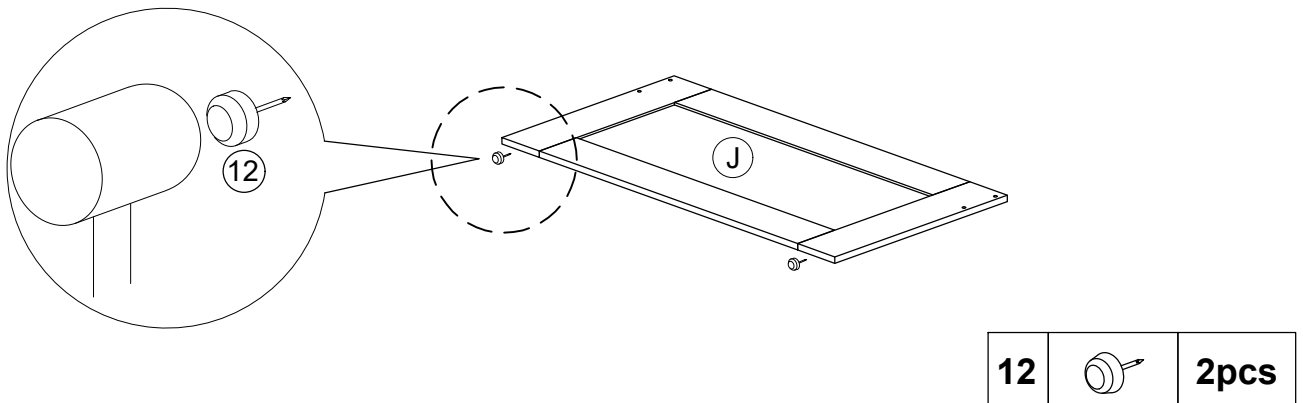
10		16pcs
12		6pcs
19		8pcs

# ASSEMBLY INSTRUCTIONS

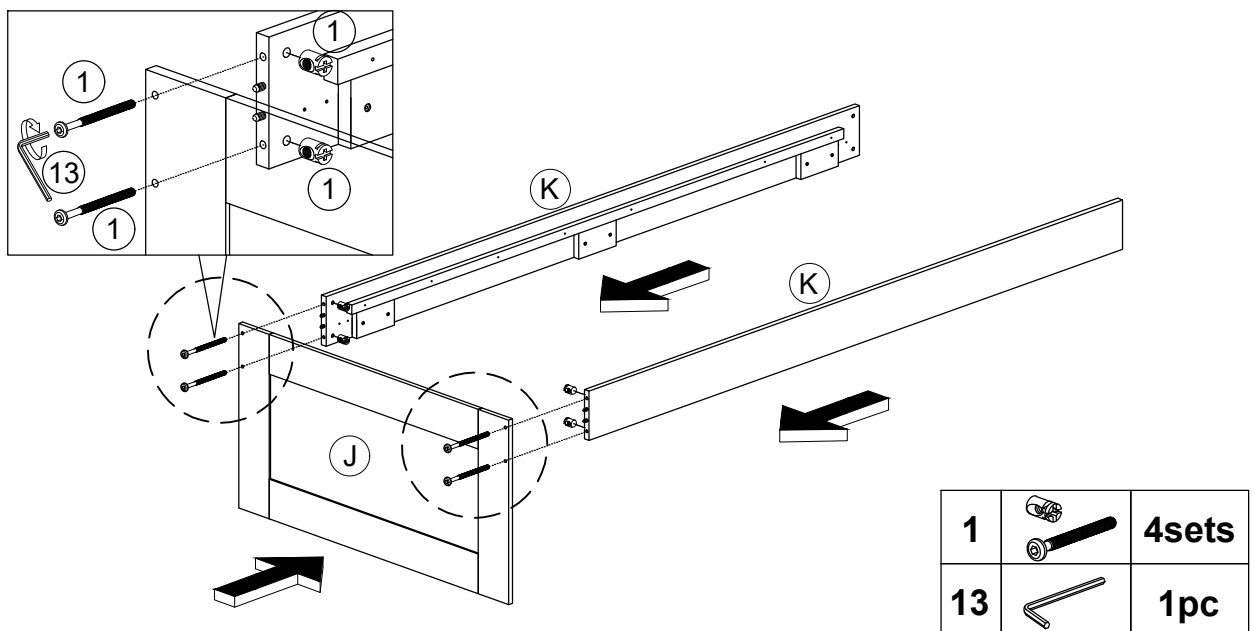
## STEP 11



## STEP 12

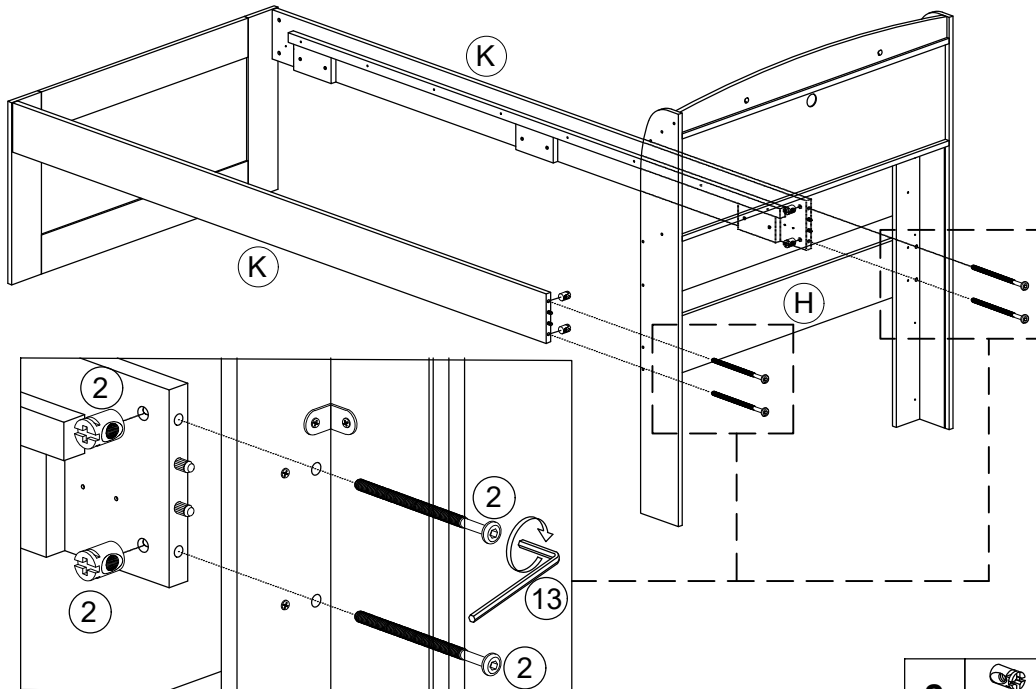




## STEP 13



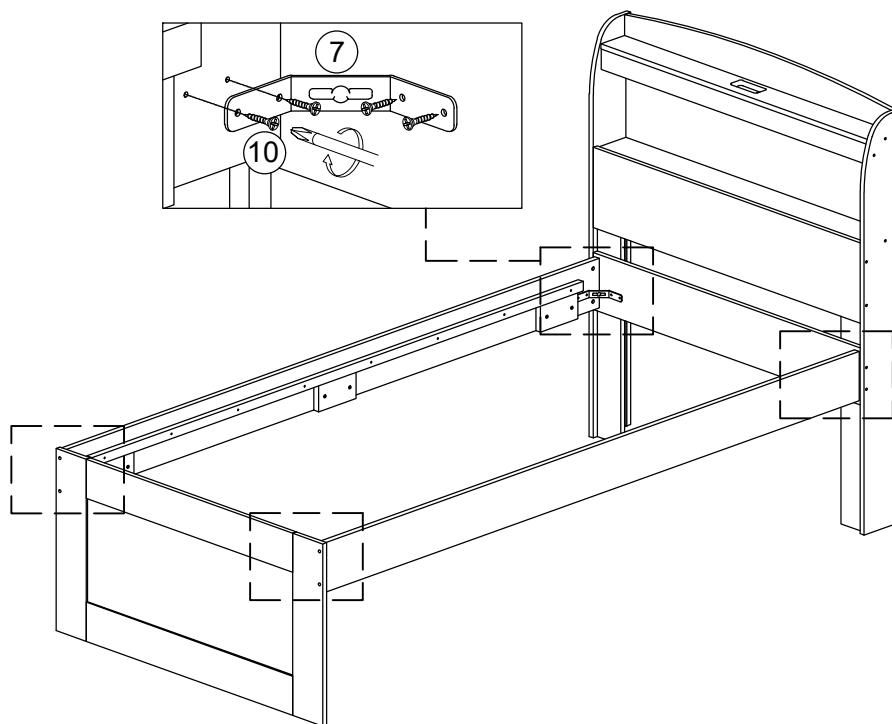
# ASSEMBLY INSTRUCTIONS



## STEP 14



2		4sets
13		1pc

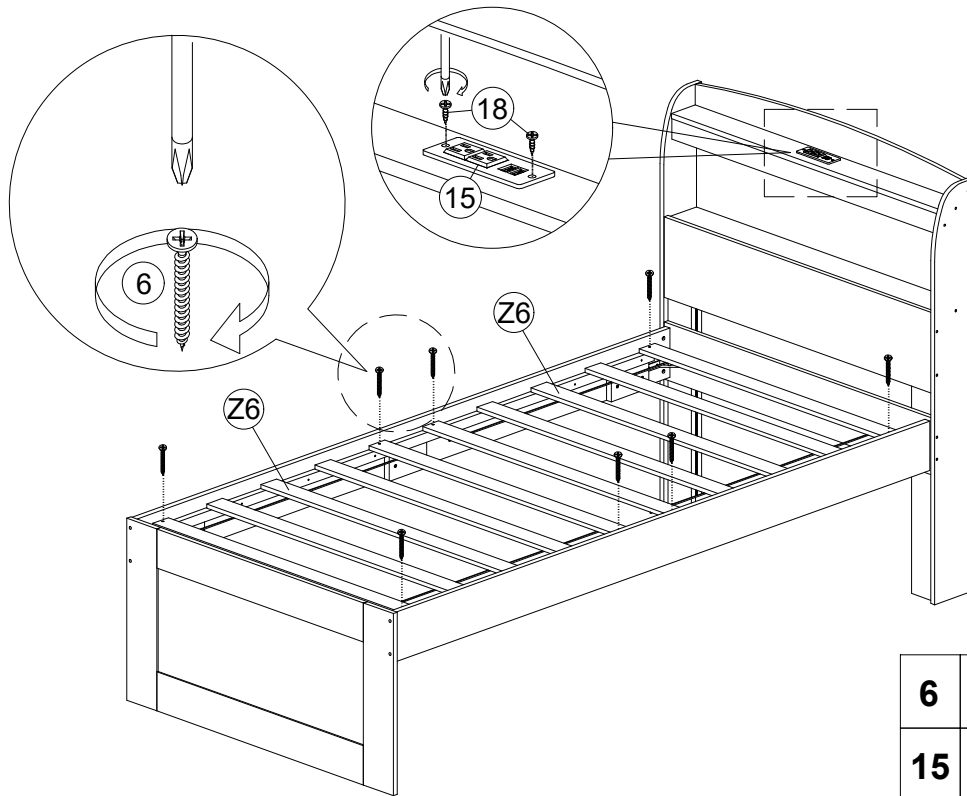
## STEP 15






7		4pcs
10		16pcs

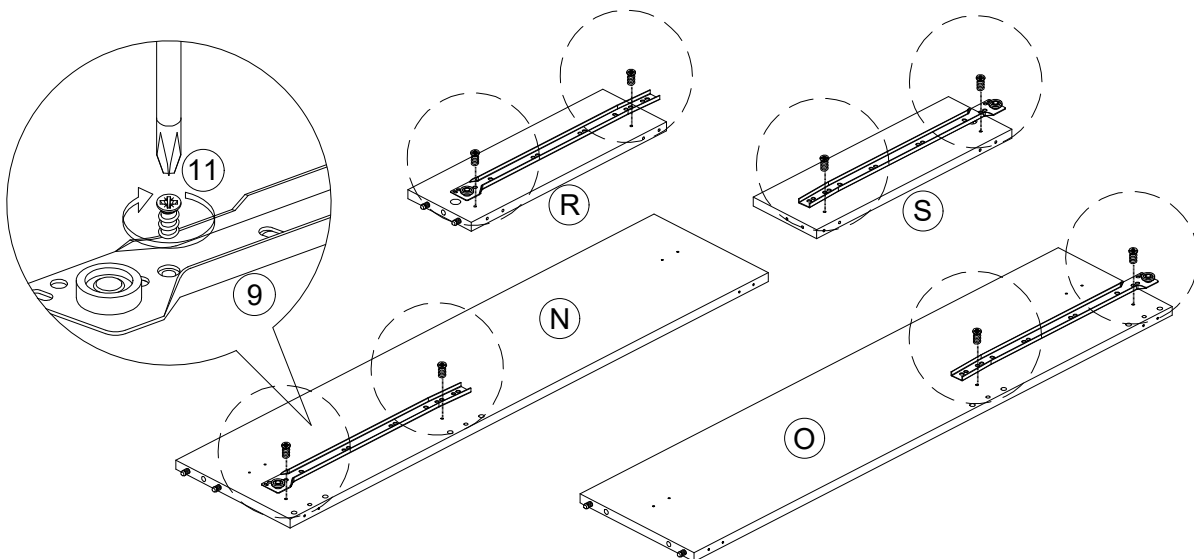
# ASSEMBLY INSTRUCTIONS



## STEP 16



6		8pcs
15		1set
18		2pcs

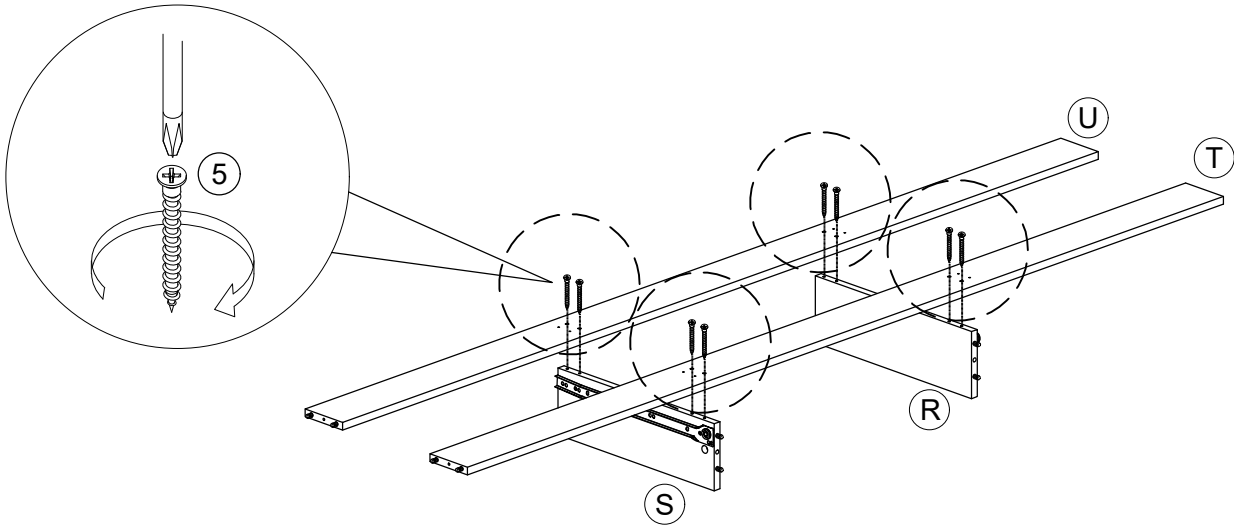
## STEP 17




9		2sets
11		8pcs

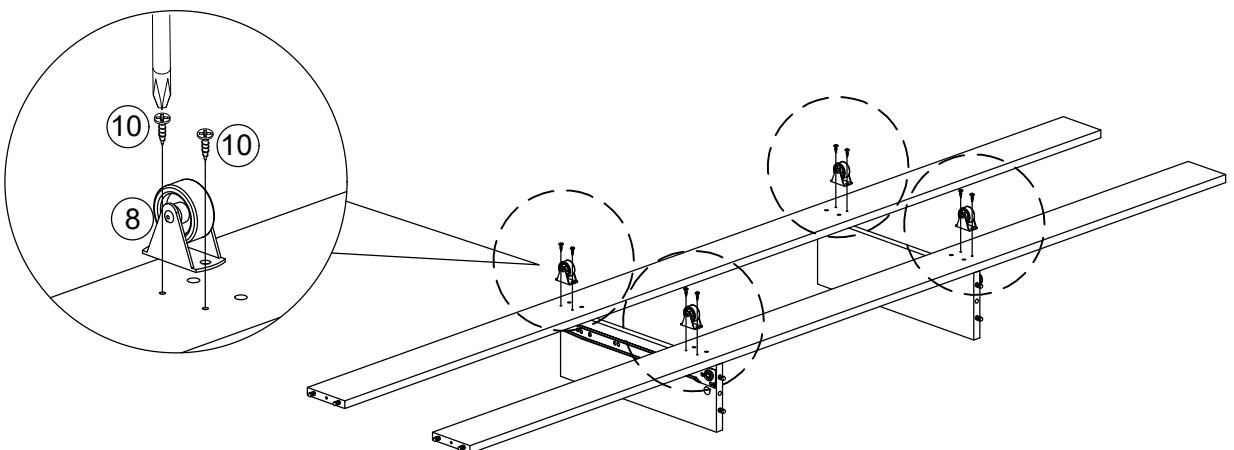
# ASSEMBLY INSTRUCTIONS


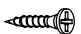
## STEP 18



5		8pcs
---	---------------------------------------------------------------------------------------	------

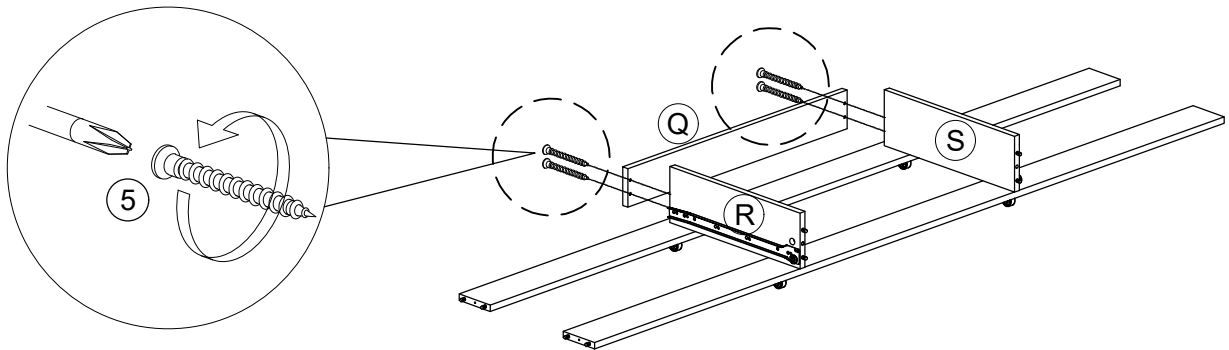
## STEP 19




8		4pcs
10		8pcs

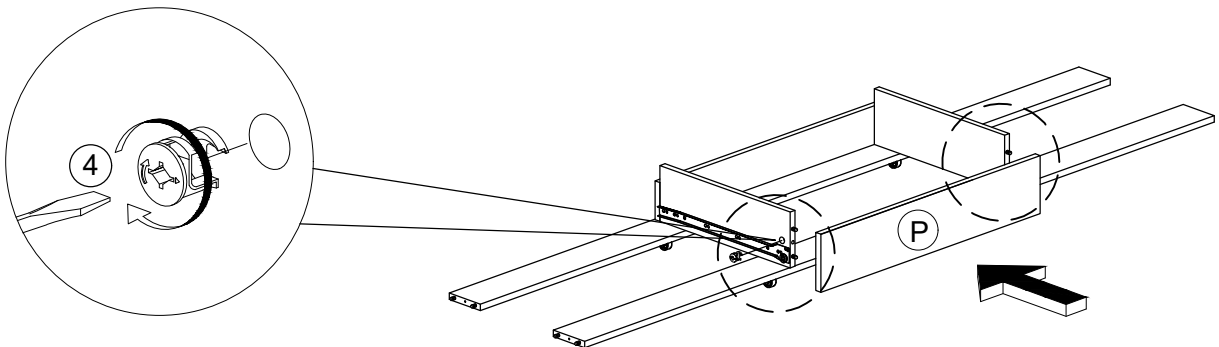
# ASSEMBLY INSTRUCTIONS


## STEP 20



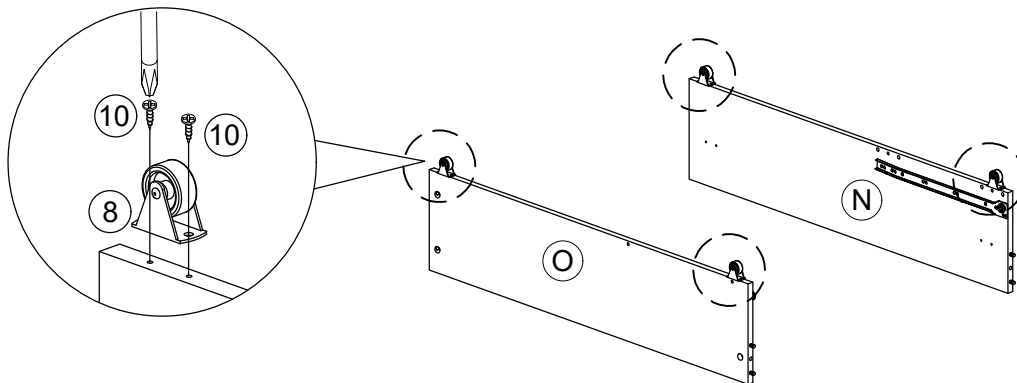
5		4pcs
---	-------------------------------------------------------------------------------------	------



## STEP 21



4		2pcs
---	---------------------------------------------------------------------------------------	------

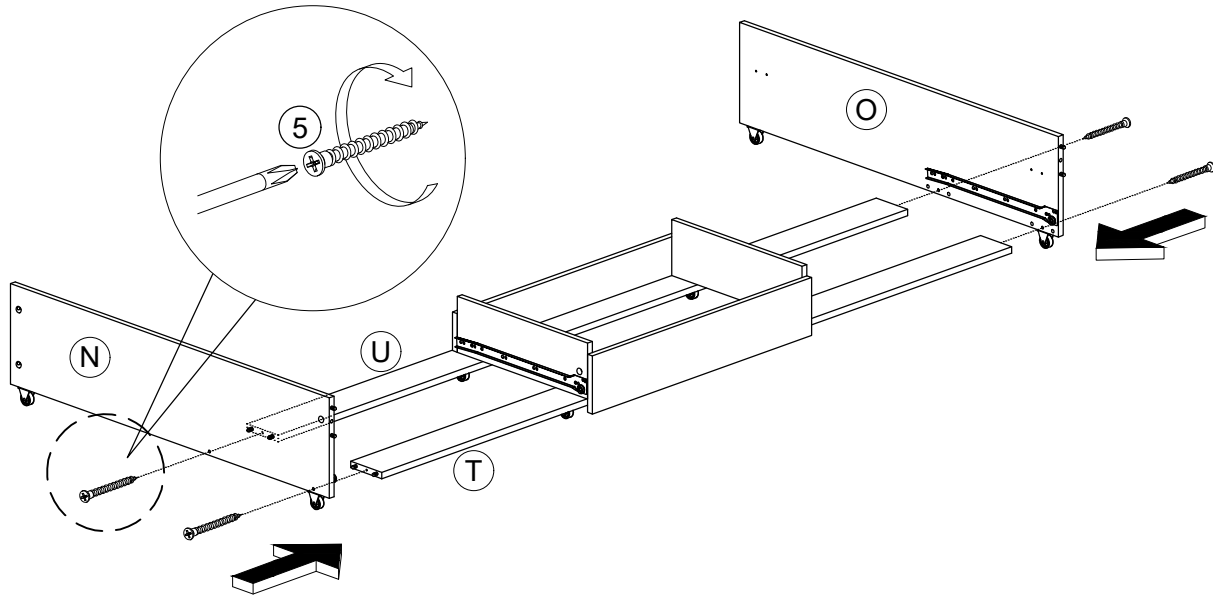
## STEP 22




8		4pcs
10		8pcs

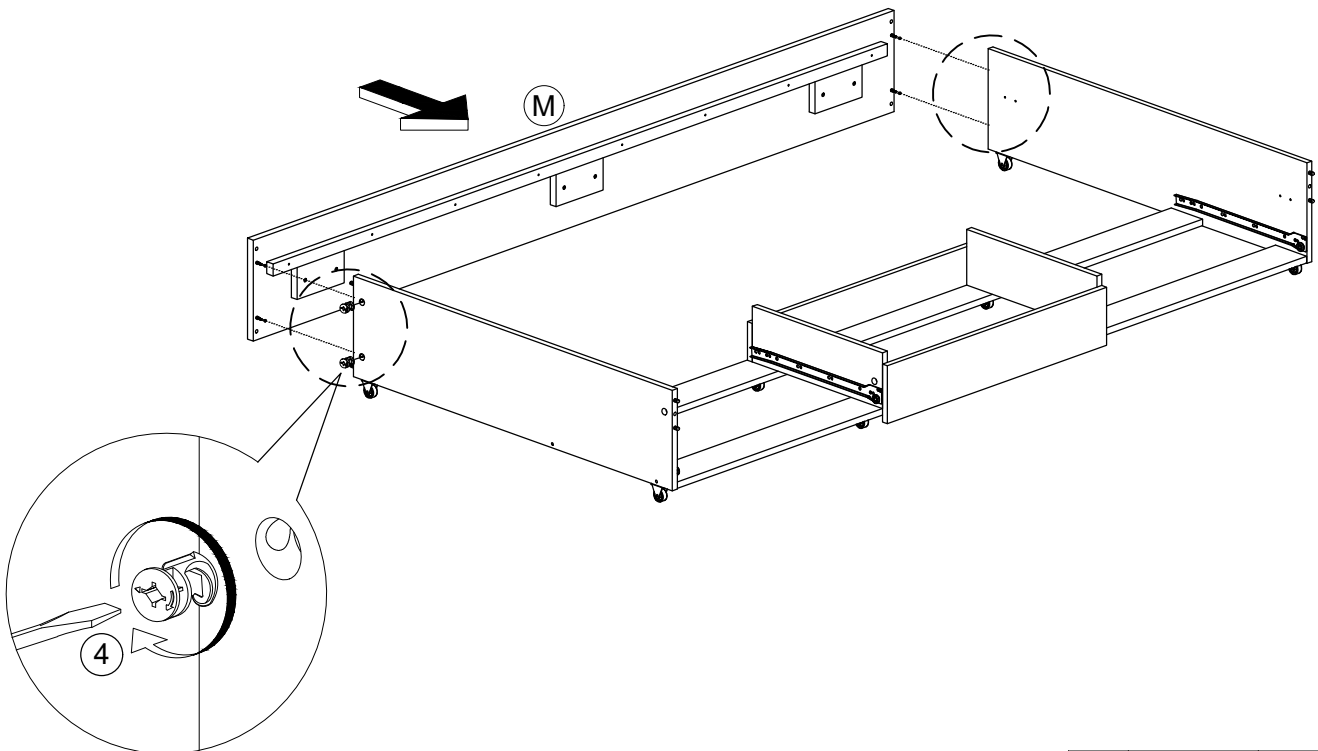
# ASSEMBLY INSTRUCTIONS

## STEP 23



5		4pcs
---	---------------------------------------------------------------------------------------	------

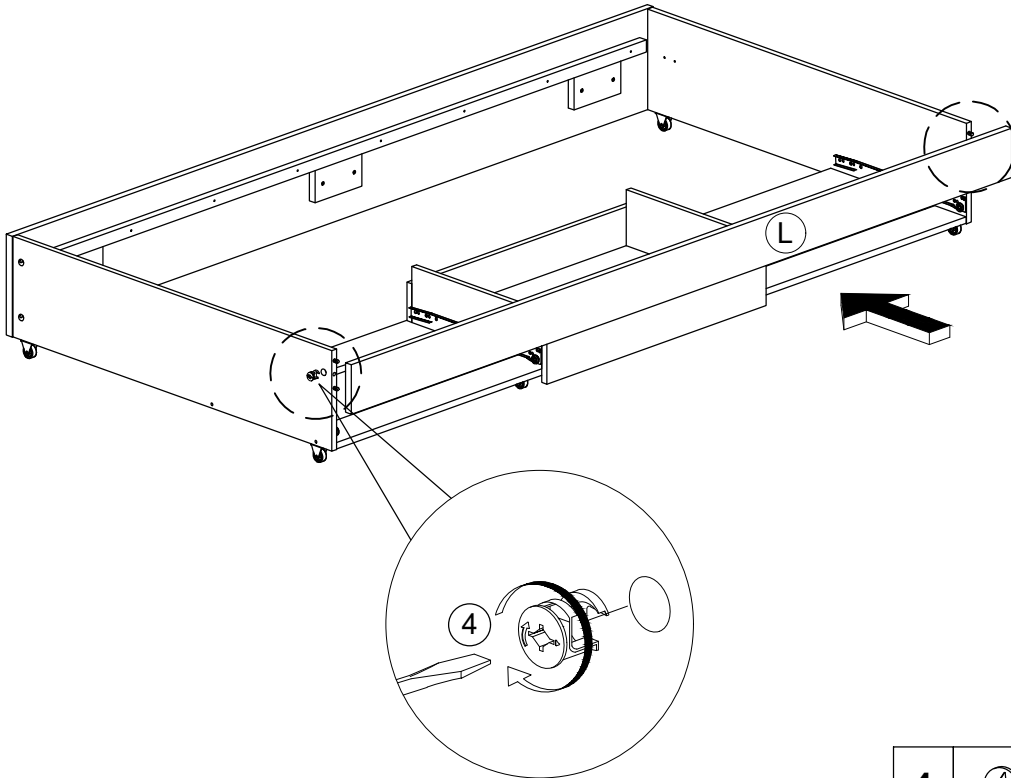
## STEP 24




4		4pcs
---	---------------------------------------------------------------------------------------	------

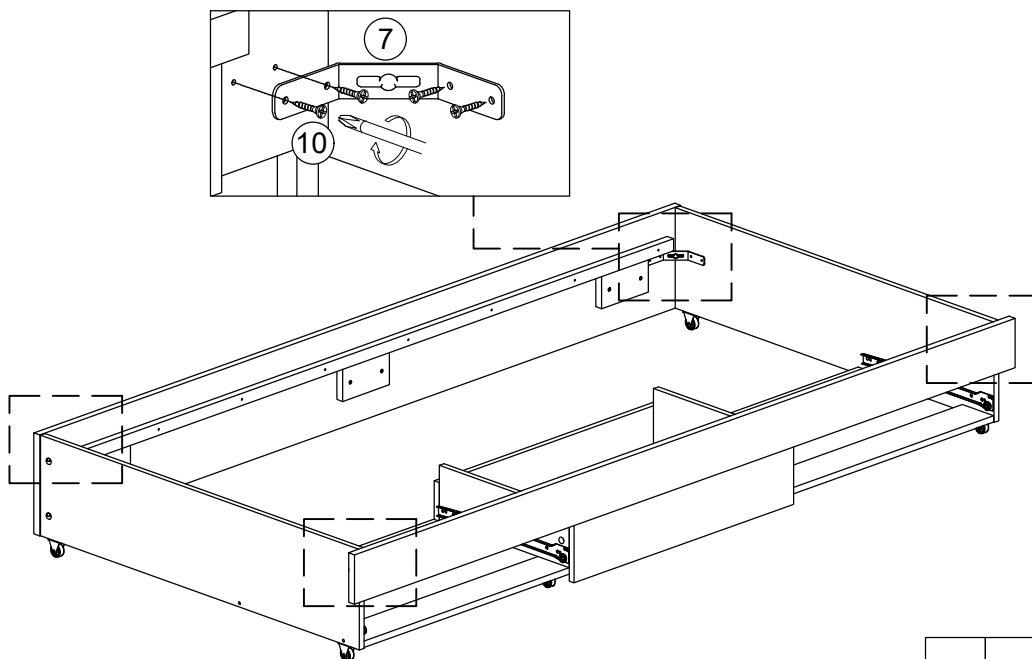
# ASSEMBLY INSTRUCTIONS


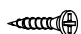
## STEP 25



4		2pcs
---	---------------------------------------------------------------------------------------	------

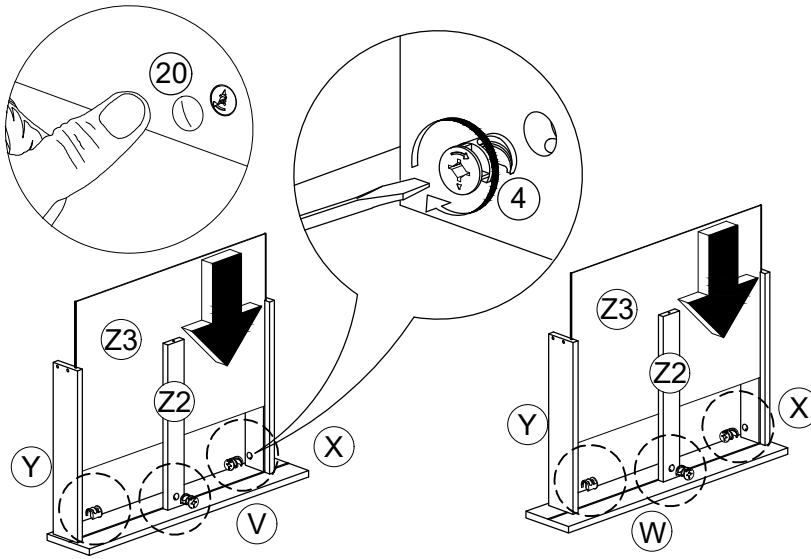
## STEP 26



7		4pcs
10		16pcs

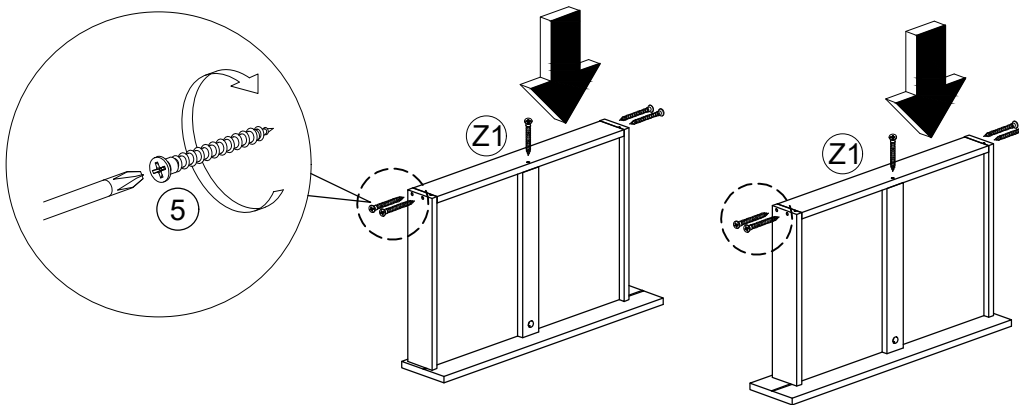
# ASSEMBLY INSTRUCTIONS

## STEP 27



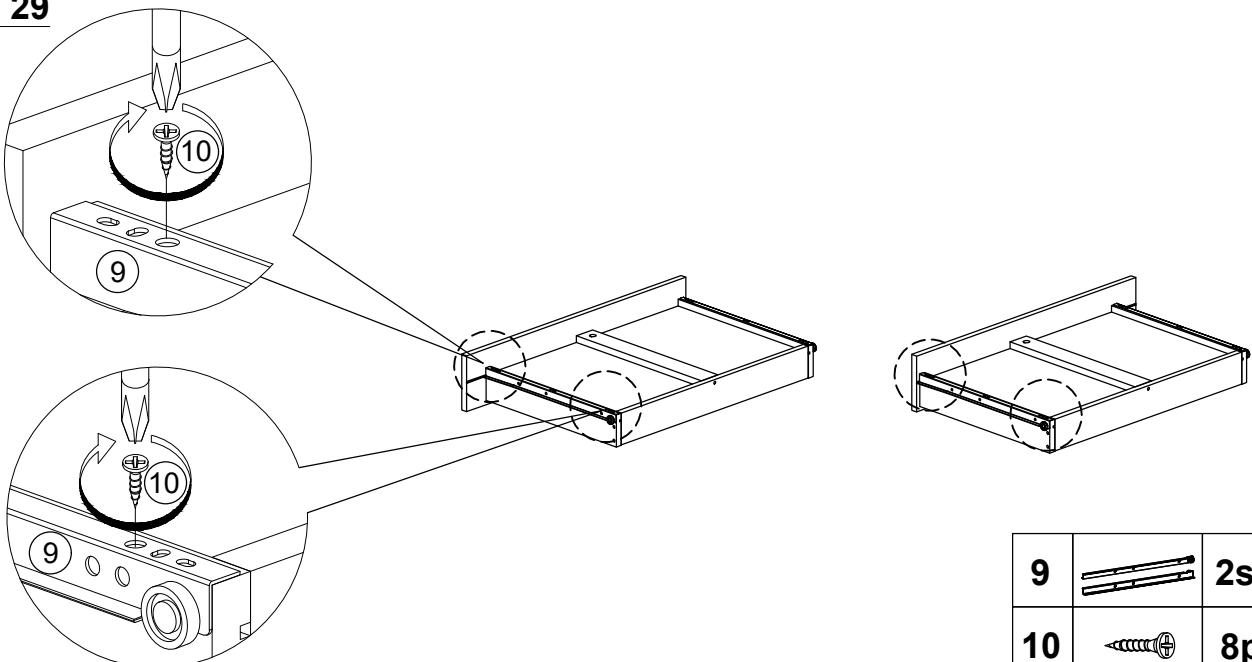
4		6pcs
20		4pcs

## STEP 28



5		10pcs
---	--	-------

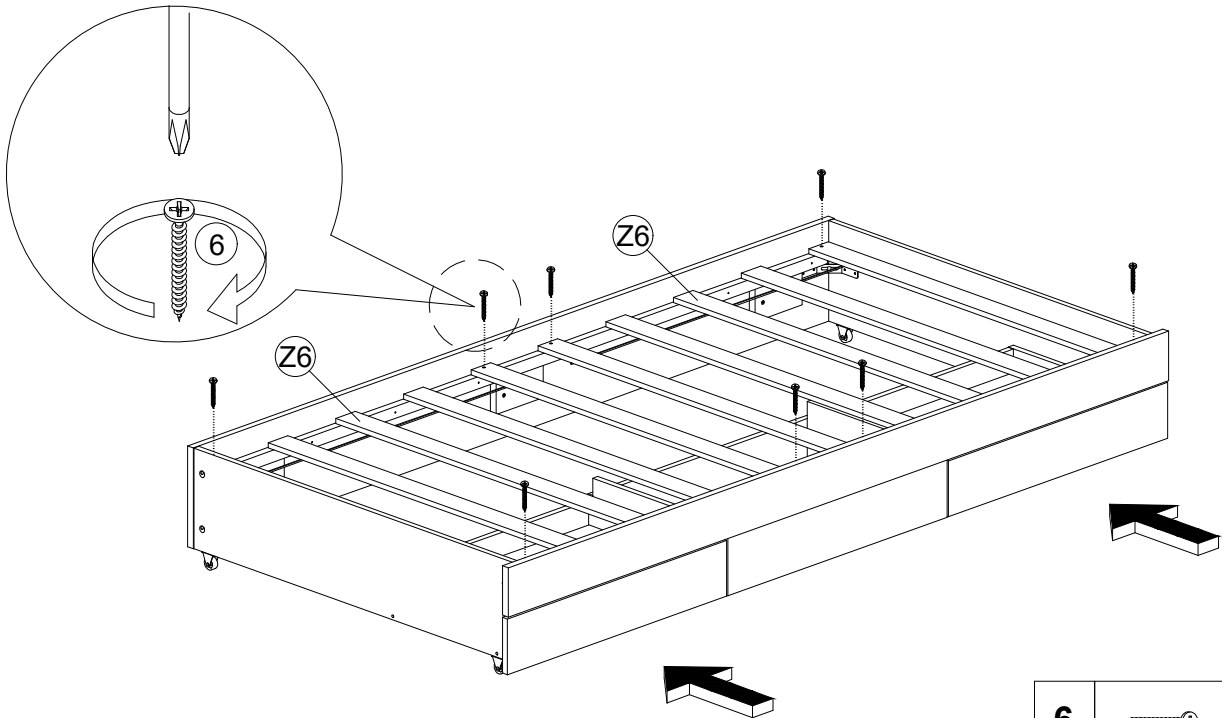
## STEP 29



9		2sets
10		8pcs

# ASSEMBLY INSTRUCTIONS

## STEP 30

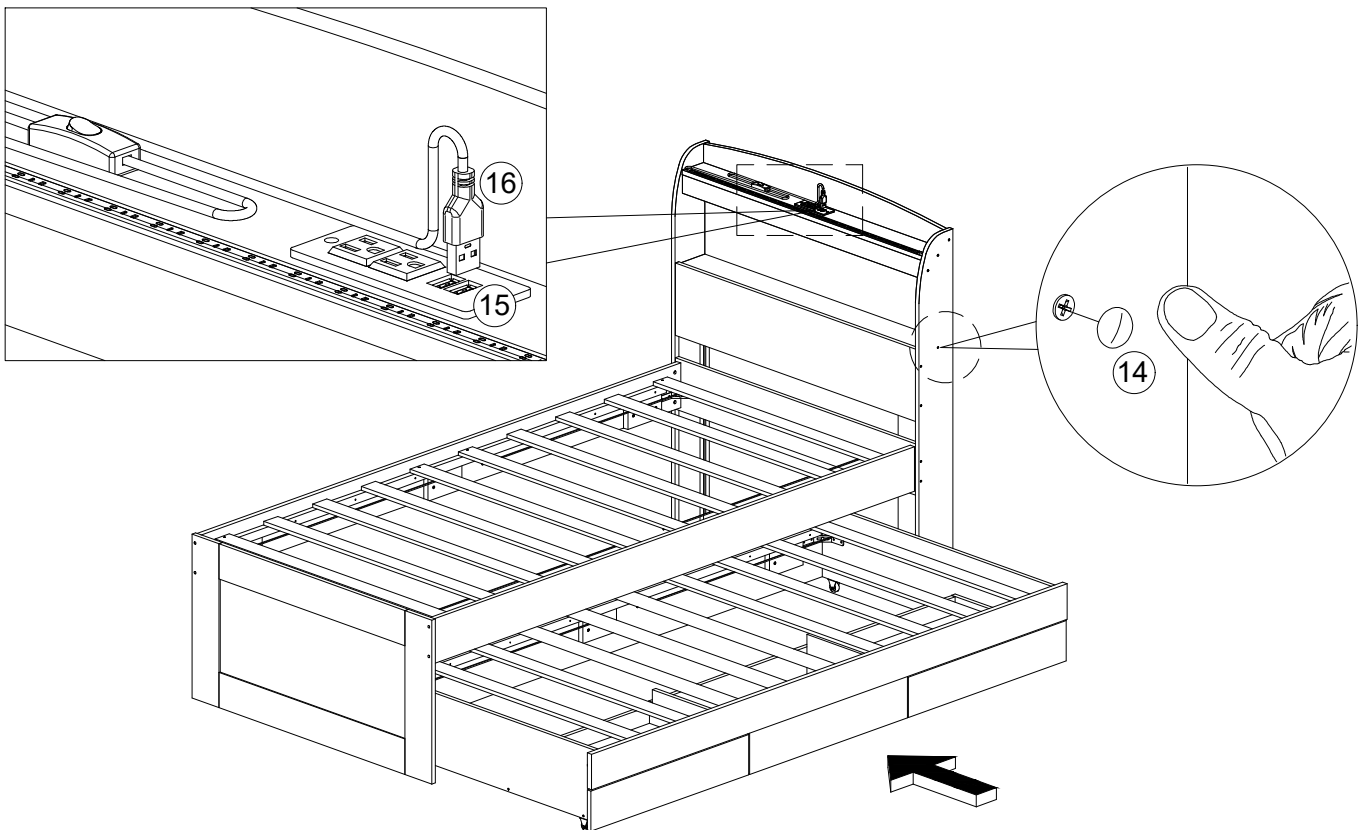


6



8pcs

## STEP 31



14



16pcs