

⑩ Table frame

⑨ Up and Down strut

⑧ Up equalizer

⑦ Down equalizer

⑥ Hydraulic pump frame 2









⑤ Hydraulic pump frame

① Frame equilibrium frame

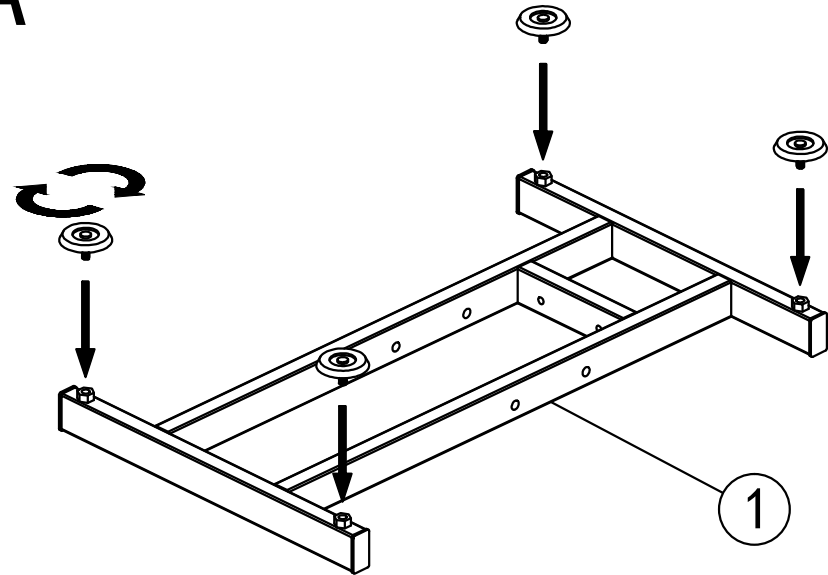
④ Hydraulic pump

③ Chassis

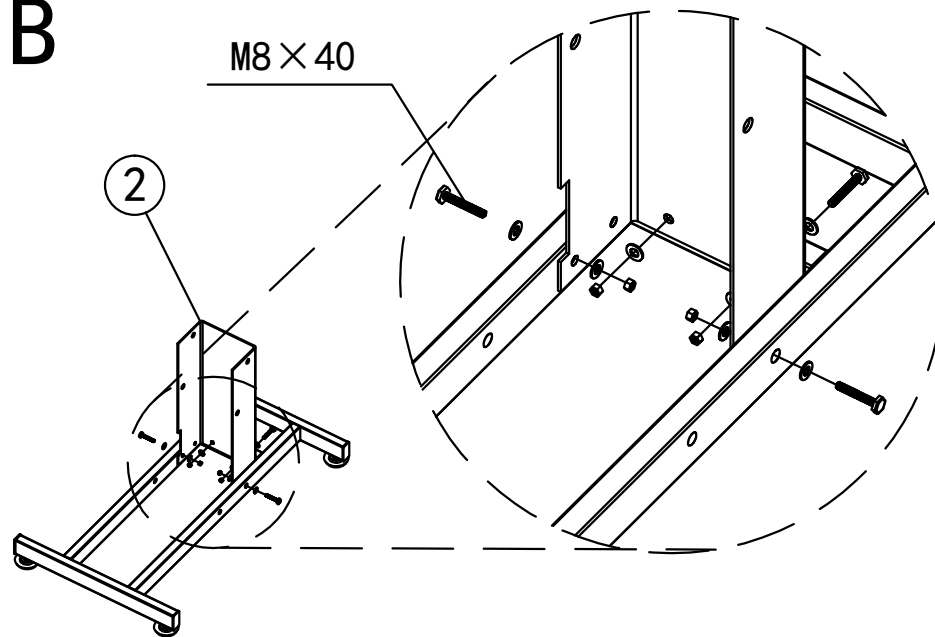
② Support frame

-  M6 × 20mm-8pcs — — — — — For step J
-  M8 × 35mm-4pcs — — — — — For step I
-  M8 × 40mm-4pcs — — — — — For step B
-  M10 × 30mm-1pcs — — — — — For step E
-  M10 × 35mm-1pcs — — — — — For step E
-  M10 × 60mm-2pcs — — — — — For step C
-  — — — — — For step G
- M12 × 180mm-1pcs
-  — — — — — For step F, G, H
- M12 × 200mm-4pcs

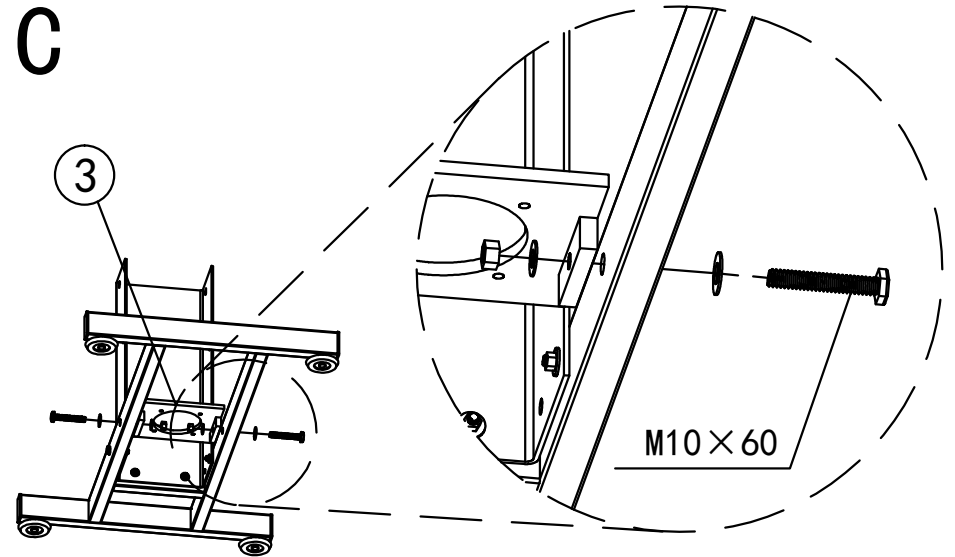
A



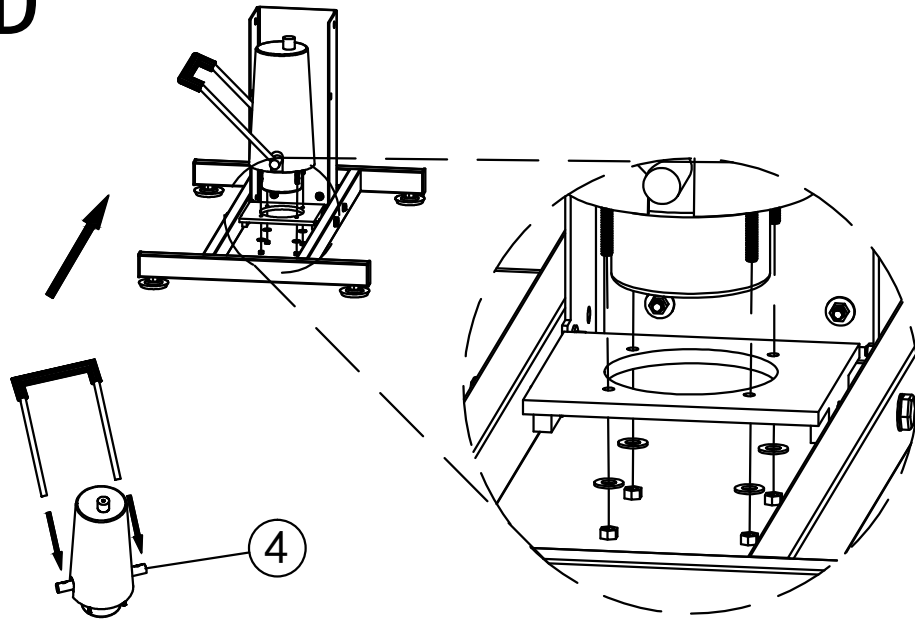
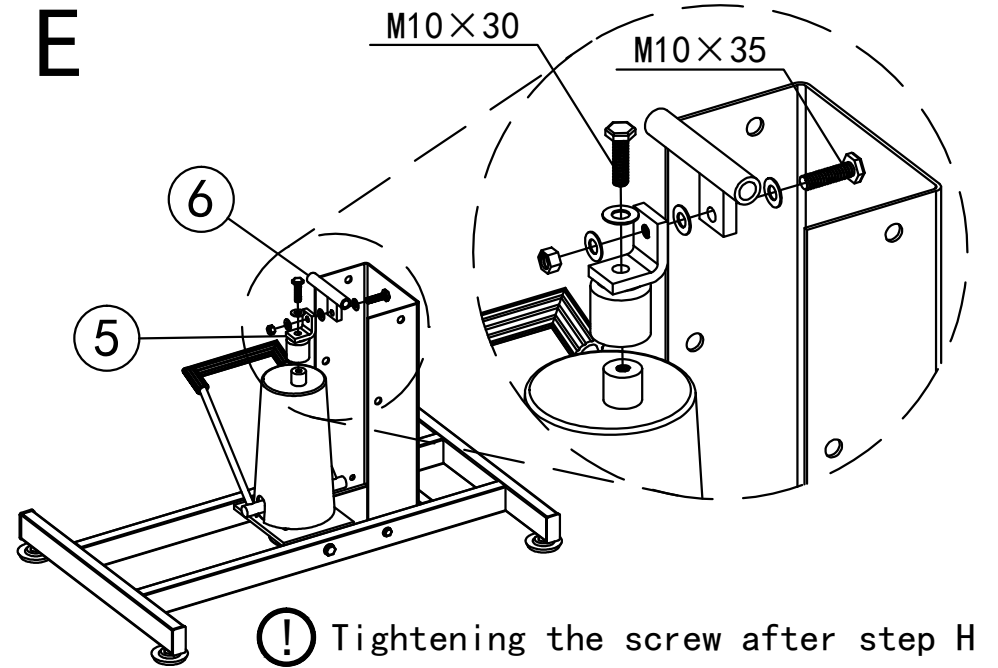
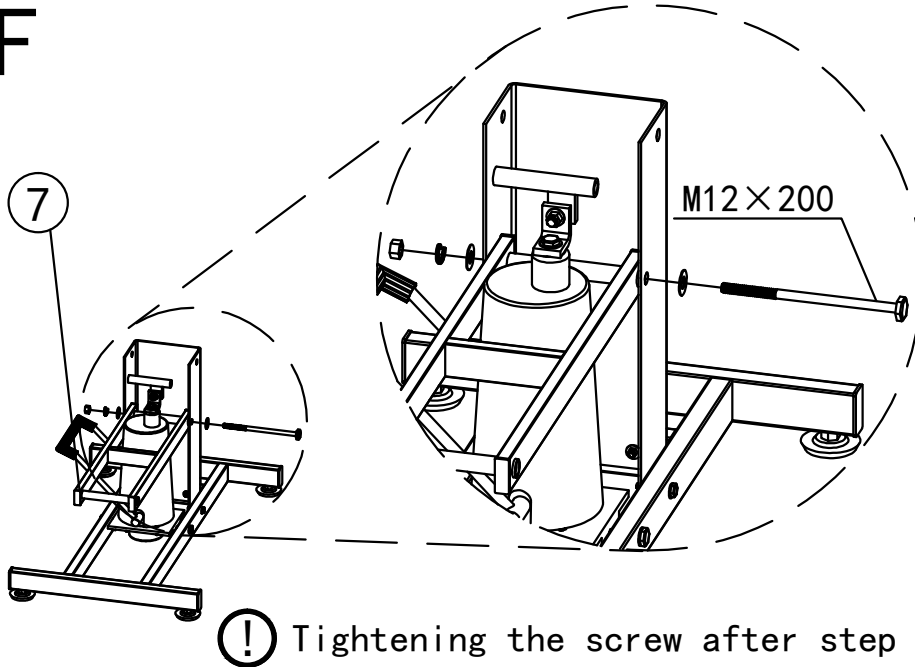
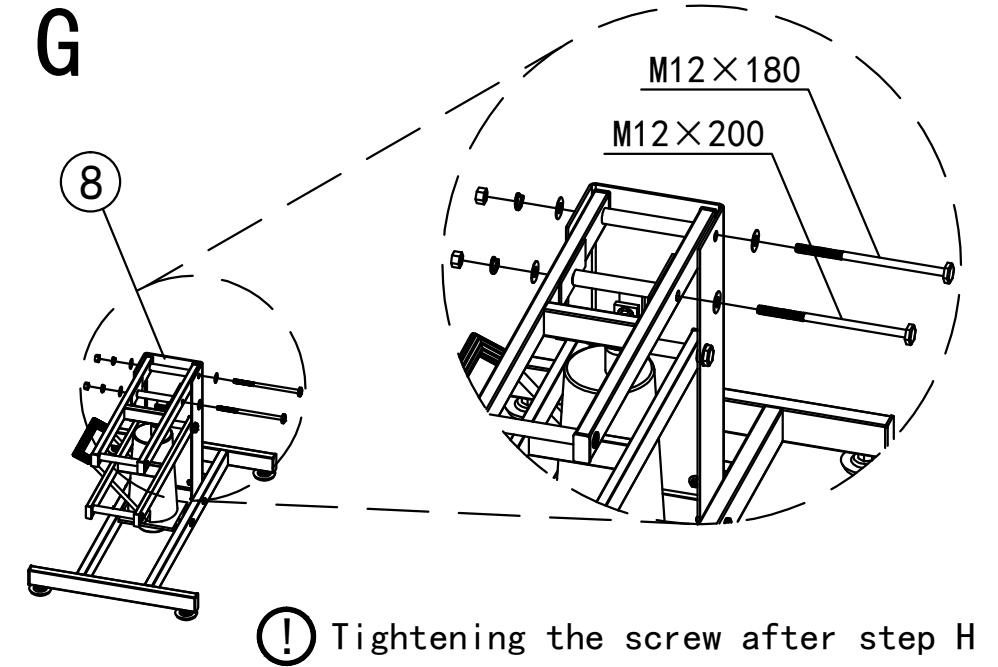
B



C

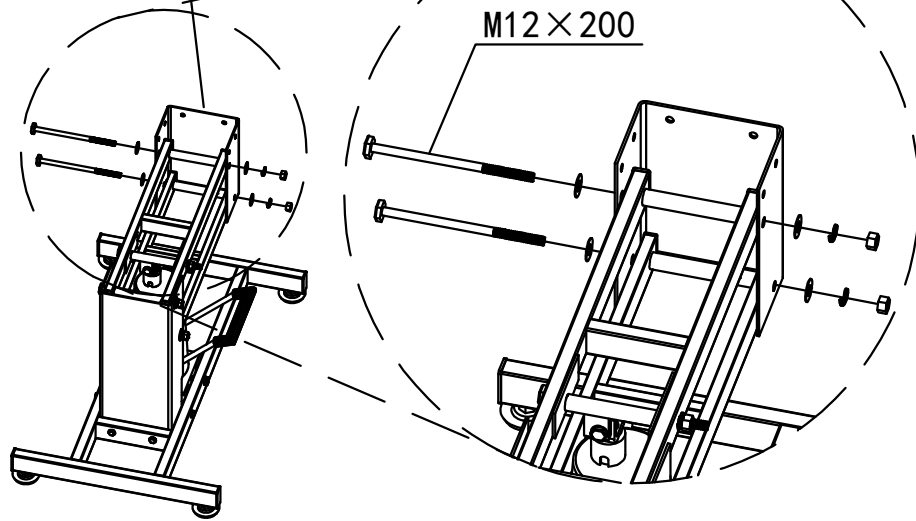


Do not twist the screw so tight, or it can not be turned

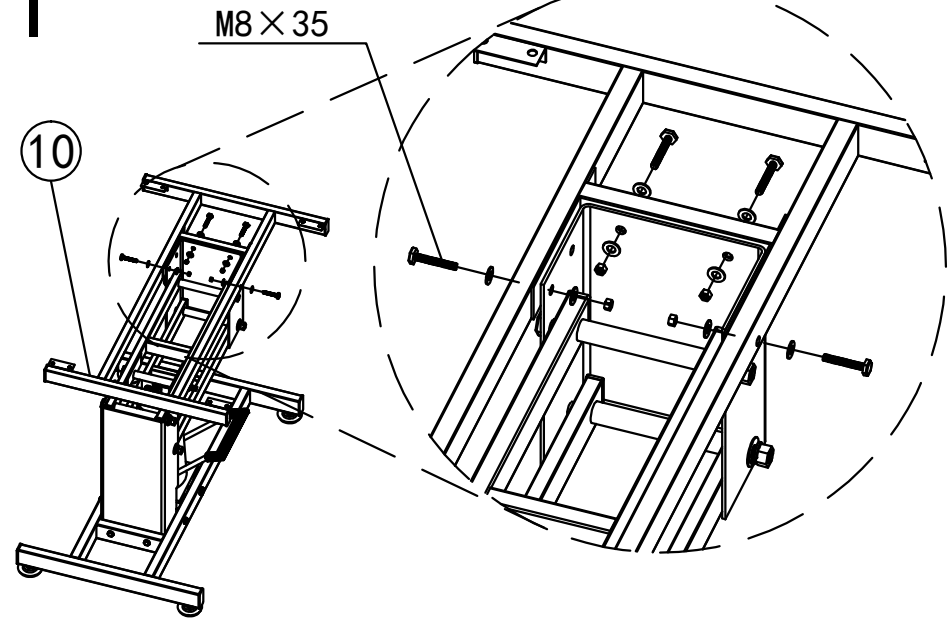
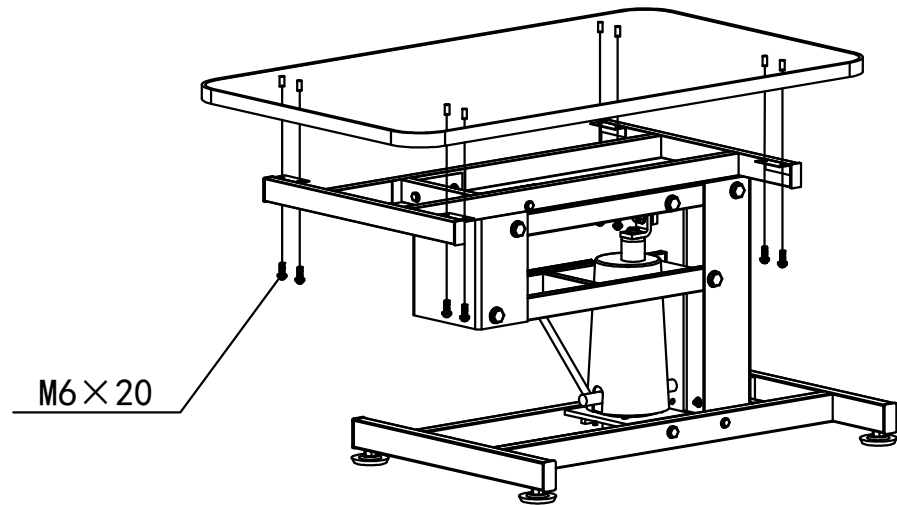
D**E****F****G**

H

9

**I**

10

**J****K**