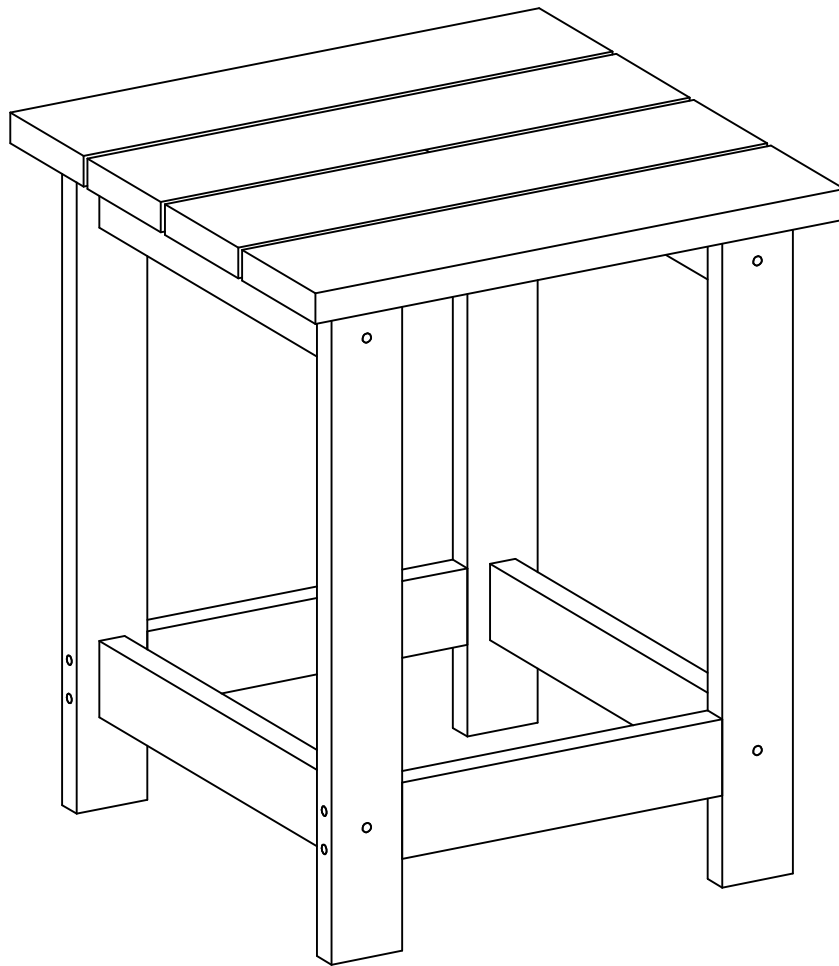
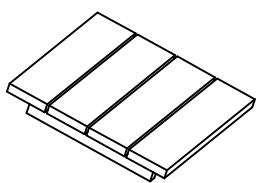


Assembly Instruction

HDPE Side Table



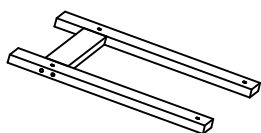
Parts:



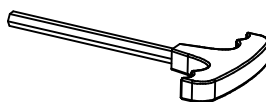
AX1



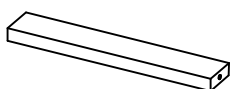
DX8



BX2



EX1

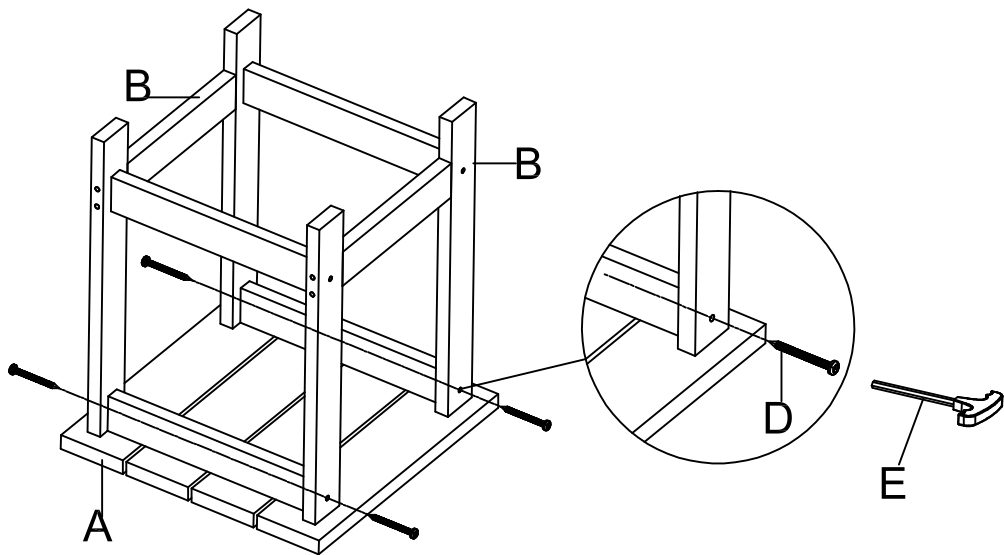


CX2



NOTE: UNIT SHOULD BE ASSEMBLED BY TWO OR MORE PEOPLE.
DO NOT TIGHTEN ANY BOLTS UNTIL ALL BOLTS HAVE BEEN STARTED!

STEP 1:



STEP 2:

