

ASSEMBLY INSTRUCTION TABLE





IMPORTANT SAFETY CONSTRUCTION

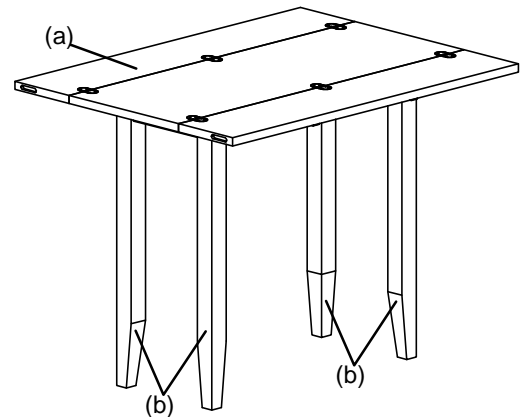
Thank you for purchasing this quality product. Be sure to check all packing material carefully for small parts that may have come loose inside the carton during shipment. Please read all instruction carefully before assembling. For your safety, assembly by two people is recommended.

PARTS INCLUDED:

- (1) Table Top (a)
- (4) Legs (b)

HARDWARE ENCLOSED:

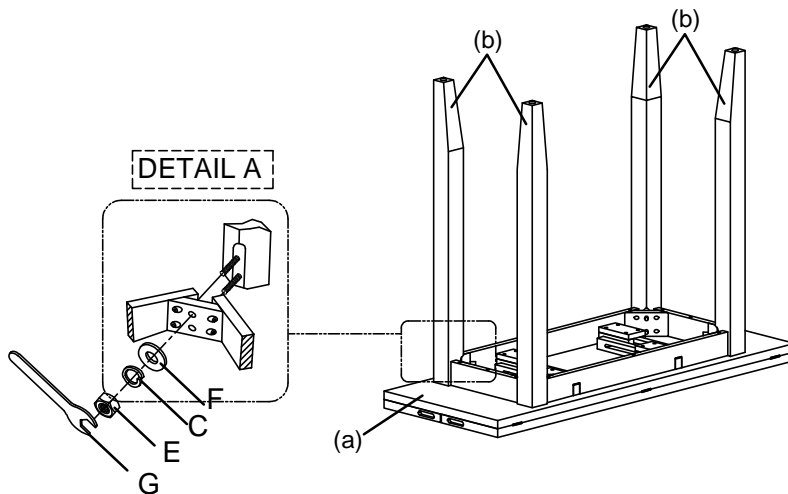
- A 8x  Ø8 x 13mm
- B 8x  Ø8 x 19mm
- C 8x  Ø8 x 13mm
- D 1x 



ASSEMBLY INSTRUCTIONS

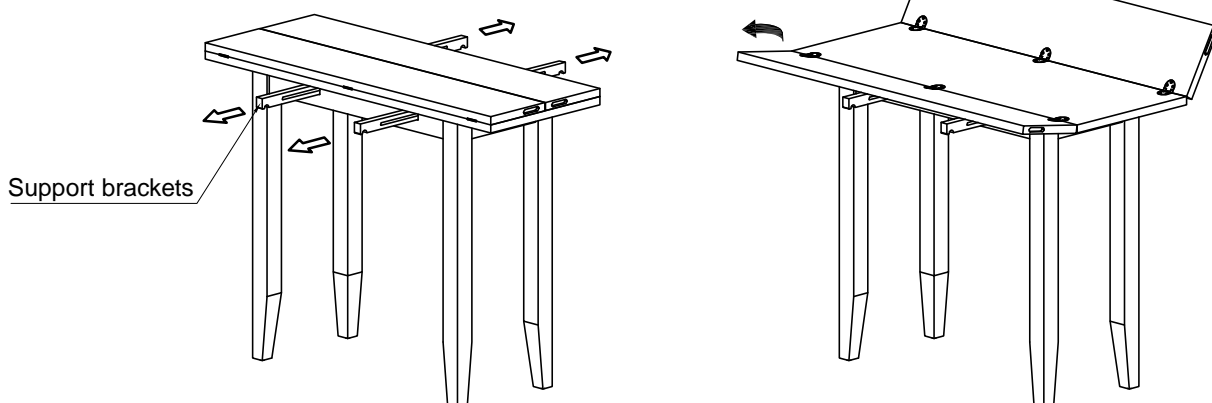
STEP 1:

- Carefully lay Table Top upside down on a smooth flat surface to prevent scratches.
- Affix Legs to corner of the Table Top as show in illustration, insert a Flat Washer (B), Lock Washer (A) and Nut (C) on to the bolts of each Leg. fully tighten the Nuts by turning clockwise using Key Wrench(D) until secure. (See Detail A)



STEP 2:

- Pull out all Support brackets before folding down leaf.



NOTES:

The use of power tools for assembly is not recommended. Power tools can damage hardware or split wood.

ASSEMBLY INSTRUCTION

BENCH






IMPORTANT SAFETY CONSTRUCTION

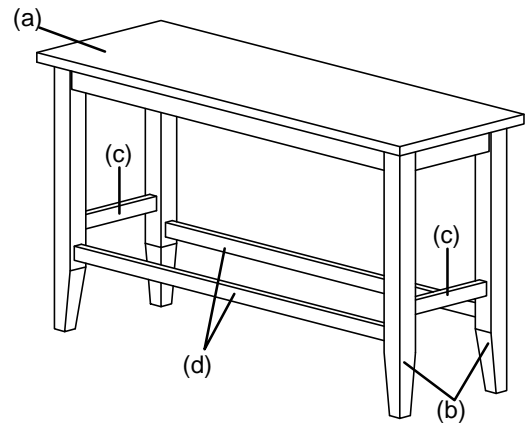
Thank you for purchasing this quality product. Be sure to check all packing material carefully for small parts that may have come loose inside the carton during shipment. Please read all instruction carefully before assembling. For your safety, assembly by two people is recommended.

PARTS INCLUDED:

- (1) Bench Seat (a)
- (4) Bench Legs (b)
- (2) Short Stretchers (c)
- (2) Long Stretchers (d)

HARDWARE ENCLOSED:

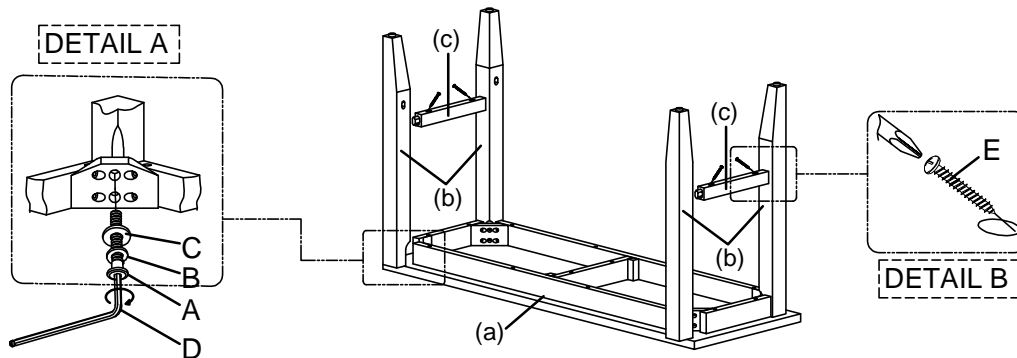
- A 8x  Ø6 x 50mm
- B 8x  Ø8 x 13mm
- C 8x  Ø8 x 19mm
- D 1x  ✓
- E 8x  Ø4 x 45mm



ASSEMBLY INSTRUCTIONS

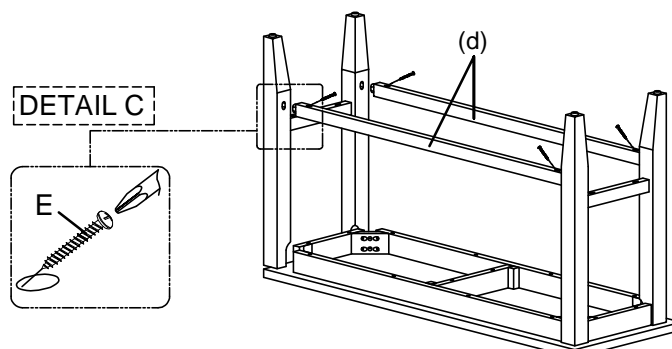
STEP 1:

- Carefully lay Bench Seat upside down on a smooth flat surface to prevent scratches.
- Affix Legs to corner of the Bench Seat as show in illustration, insert a Flat Washer (C), Lock Washer (B) and Bolt (A) in to each of the hole on the leg. Do not fully tighten. (See Detail A)
- Insert 2 Short Stretchers between the legs, fasten with Wood Screw(E) using phillip-head screwdriver (not provided).(See Detail B)



STEP 2:

- Insert 2 Long Stretchers between the Legs, fasten with Wood Screw(E) using phillip-head screwdriver (not provided).(See Detail C)
- Once all Legs and Stretchers are in place, fully tighten Bolt by using clockwise using proved Allen Key(D) until secure.



NOTES:

The use of power tools for assembly is not recommended. Power tools can damage hardware or split wood.

ASSEMBLY INSTRUCTION STOOL






IMPORTANT SAFETY CONSTRUCTION

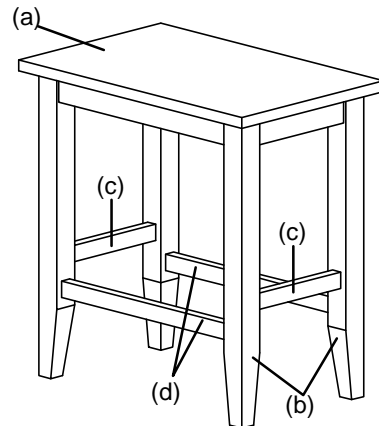
Thank you for purchasing this quality product. Be sure to check all packing material carefully for small parts that may have come loose inside the carton during shipment. Please read all instruction carefully before assembling. For your safety, assembly by two people is recommended.

PARTS INCLUDED:

- (1) Chair Seat (a)
- (4) Chair Legs (b)
- (2) Short Stretchers (c)
- (2) Long Stretchers (d)

HARDWARE ENCLOSED:

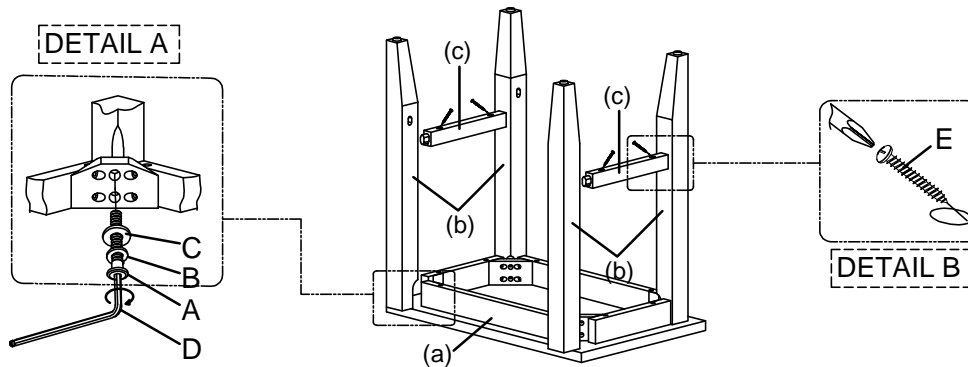
- A 8x  Ø6 x 50mm
- B 8x  Ø8 x 13mm
- C 8x  Ø8 x 19mm
- D 1x  ✓
- E 8x  Ø4 x 45mm



ASSEMBLY INSTRUCTIONS

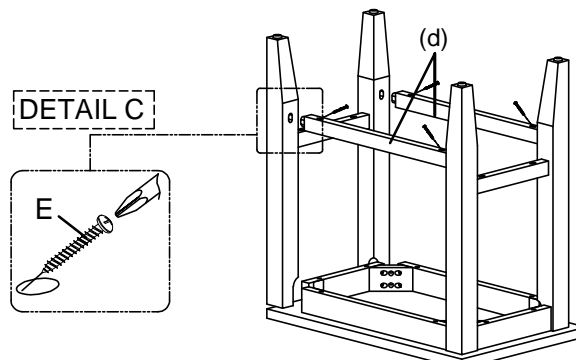
STEP 1:

- Carefully lay Chair Seat upside down on a smooth flat surface to prevent scratches.
- Affix Legs to corner of the Chair Seat as show in illustration, insert a Flat Washer (C), Lock Washer (B) and Bolt (A) in to each of the hole on the leg. Do not fully tighten. (See Detail A)
- Insert 2 Short Stretchers between the legs, fasten with Wood Screw(E) using phillip-head screwdriver (not provided).(See Detail B)



STEP 2:

- Insert 2 Long Stretchers between the Legs, fasten with Wood Screw(E) using phillip-head screwdriver (not provided).(See Detail C)
- Once all Legs and Stretchers are in place, fully tighten Bolt by using clockwise using proved Allen Key(D) until secure.



NOTES:

The use of power tools for assembly is not recommended. Power tools can damage hardware or split wood.