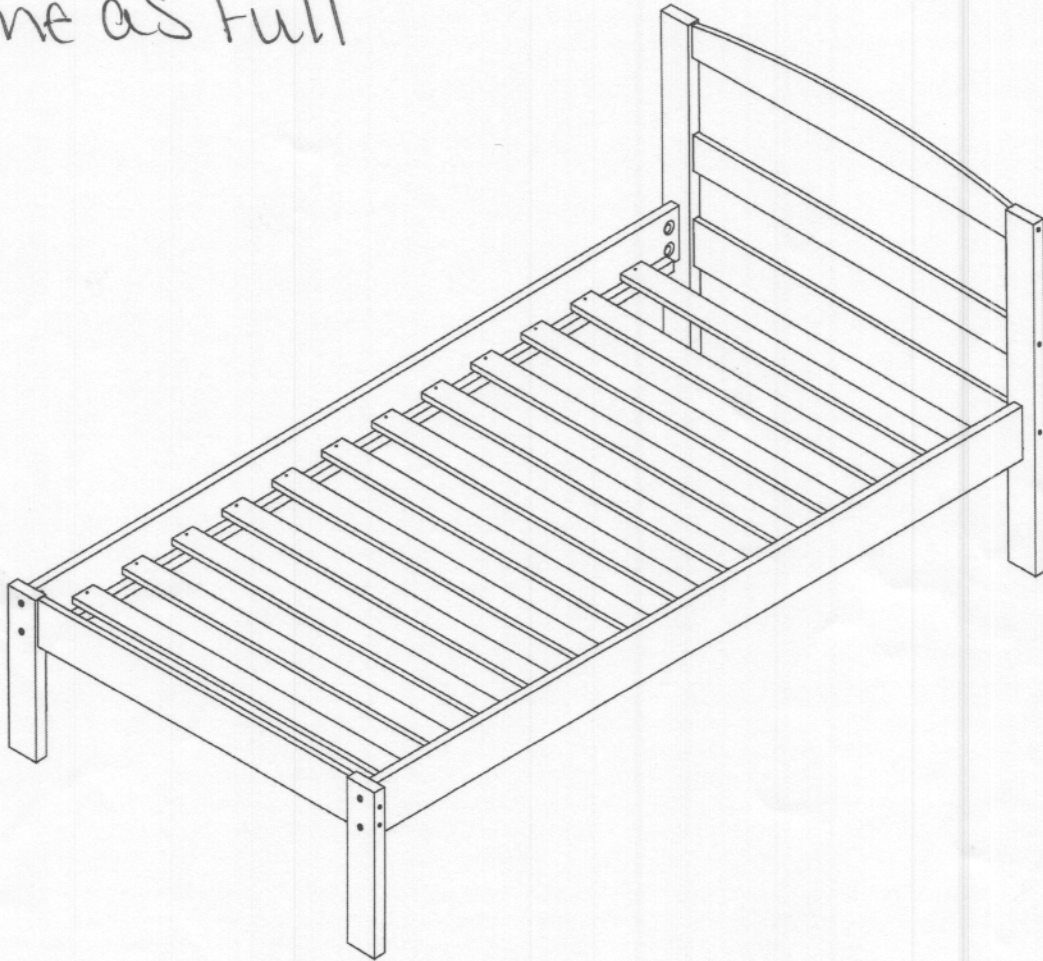


ASSEMBLY INSTRUCTIONS

V-575 TWIN ECONOMIC BED

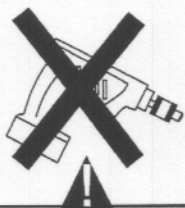
* same as full



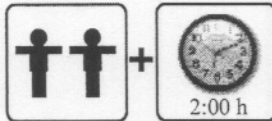
Thank you for purchasing this quality product. Be sure to check all packing material carefully for small parts which may have come loose inside the carton during shipment. Separate, identify and count all parts and hardware.

Compare with the parts list to be sure all parts are present.

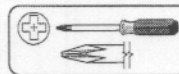
"DO NOT TIGHTEN SCREWS UNTIL COMPLETELY ASSEMBLED"



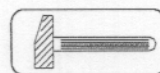
* Use of power tool to assemble this product will invalidate any claim and damage this product making unsafe !!!
* Please assemble on a clean soft surface to avoid damage.



Tools Required



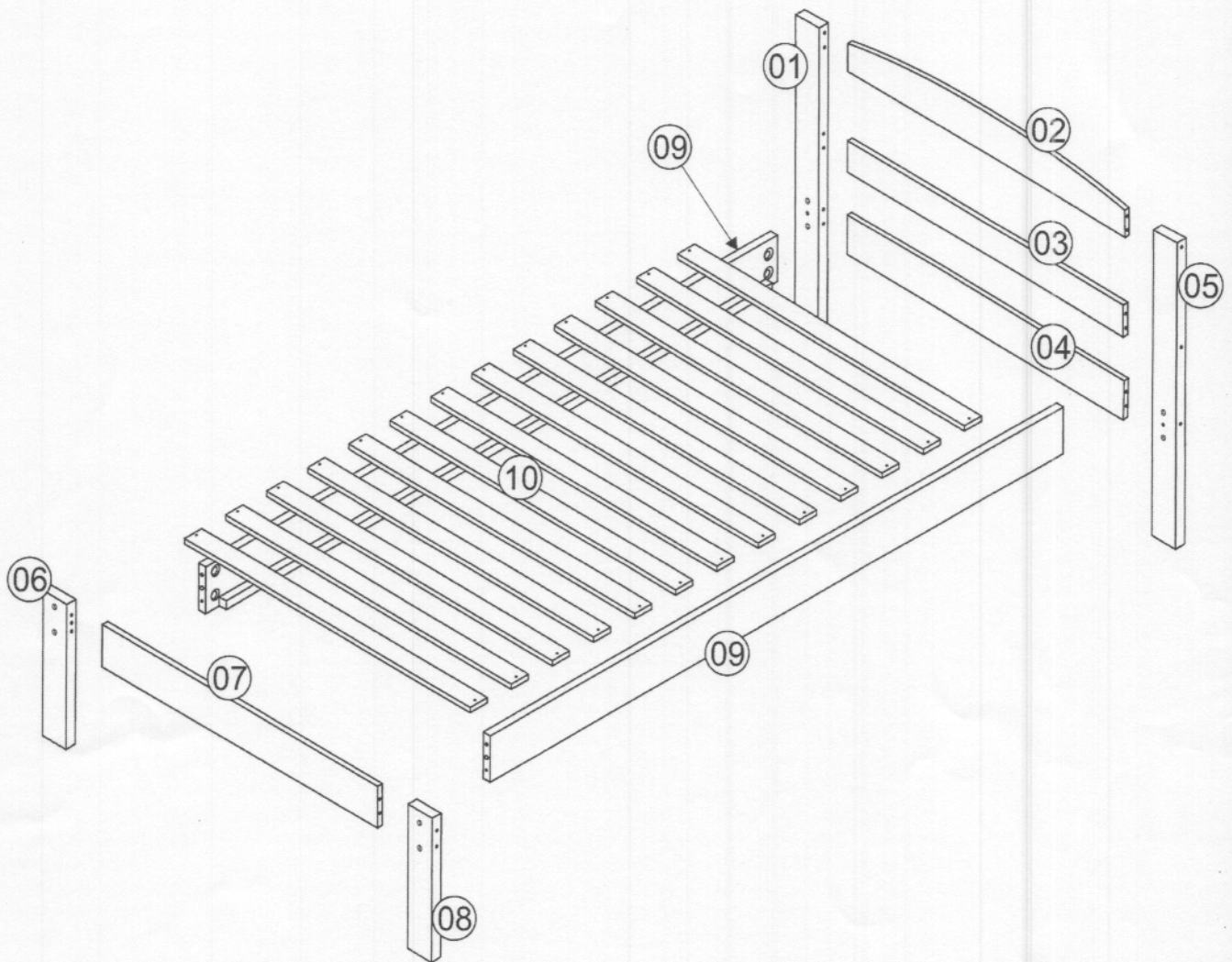
(Not includ)



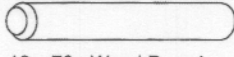
(Hammer)

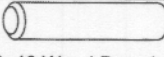
IMPORTANT

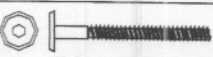
Part List: V-575 TWIN ECONOMIC BED

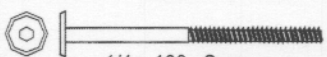



Identifying the Hardware/part list- Identify the hardware using the illustrations below.

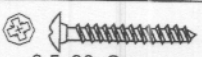
A  Qty **08**
10 x 70 Wood Dowel


B  Qty **04**
10x40 Wood Dowel

C  Qty **10**
7,0 x 100 Screw

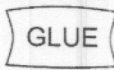
D  Qty **08**
1/4 x 100 Screw

E  Qty **08**
1/4" Half Moon

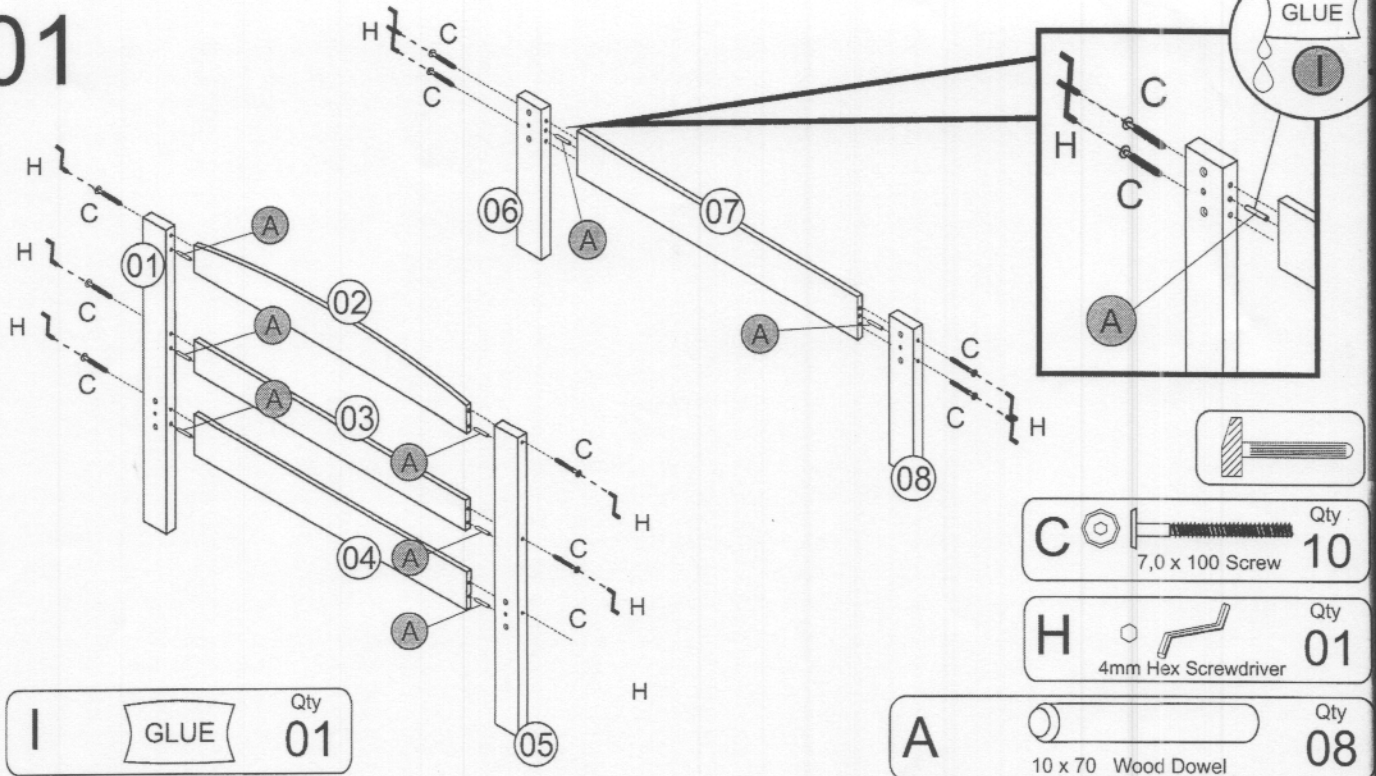
F  Qty **24**
3,5x30 Screw

G  Qty **01**
SPACE SLATS

H  Qty **01**
4mm Hex Screwdriver

I  Qty **01**
GLUE

01



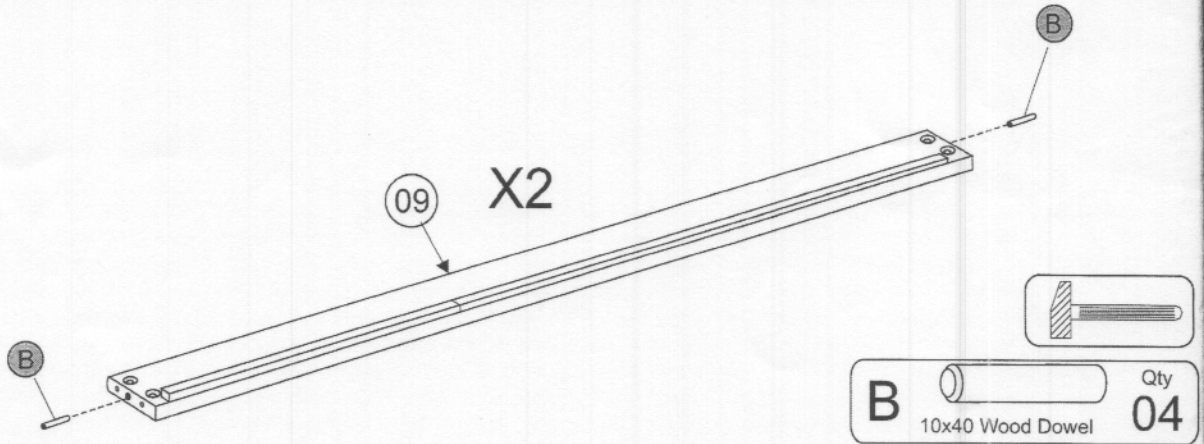
I GLUE Qty 01

C 7,0 x 100 Screw Qty 10

H 4mm Hex Screwdriver Qty 01

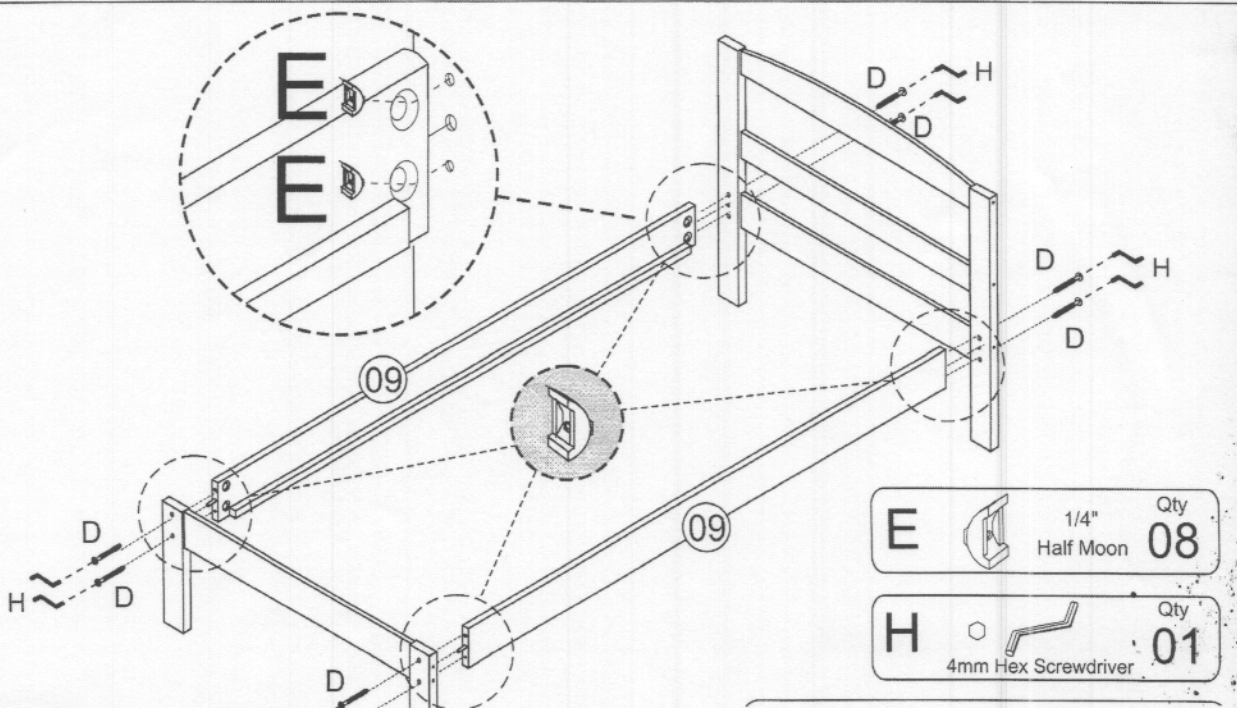
A 10 x 70 Wood Dowel Qty 08

02



B 10x40 Wood Dowel Qty 04

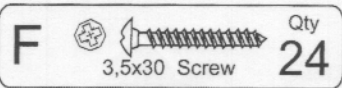
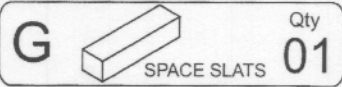
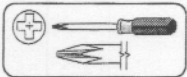
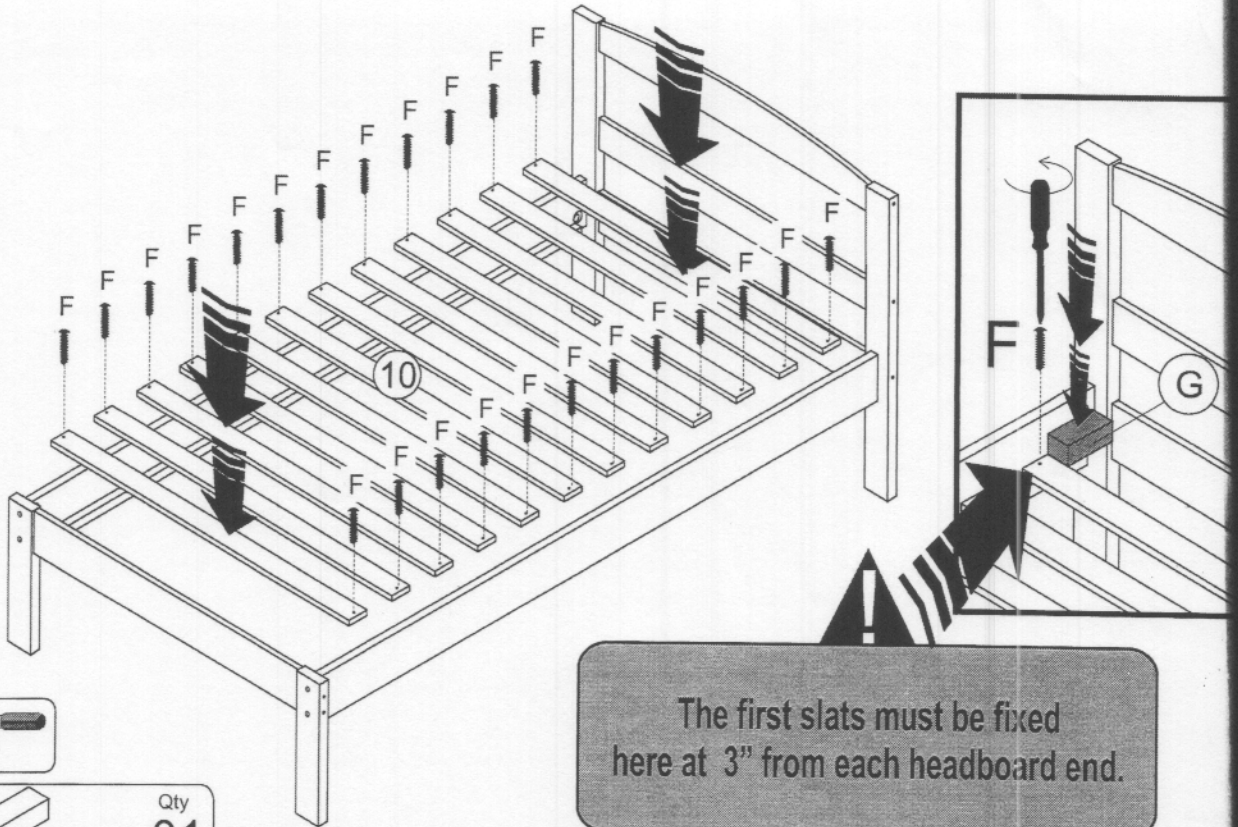
03



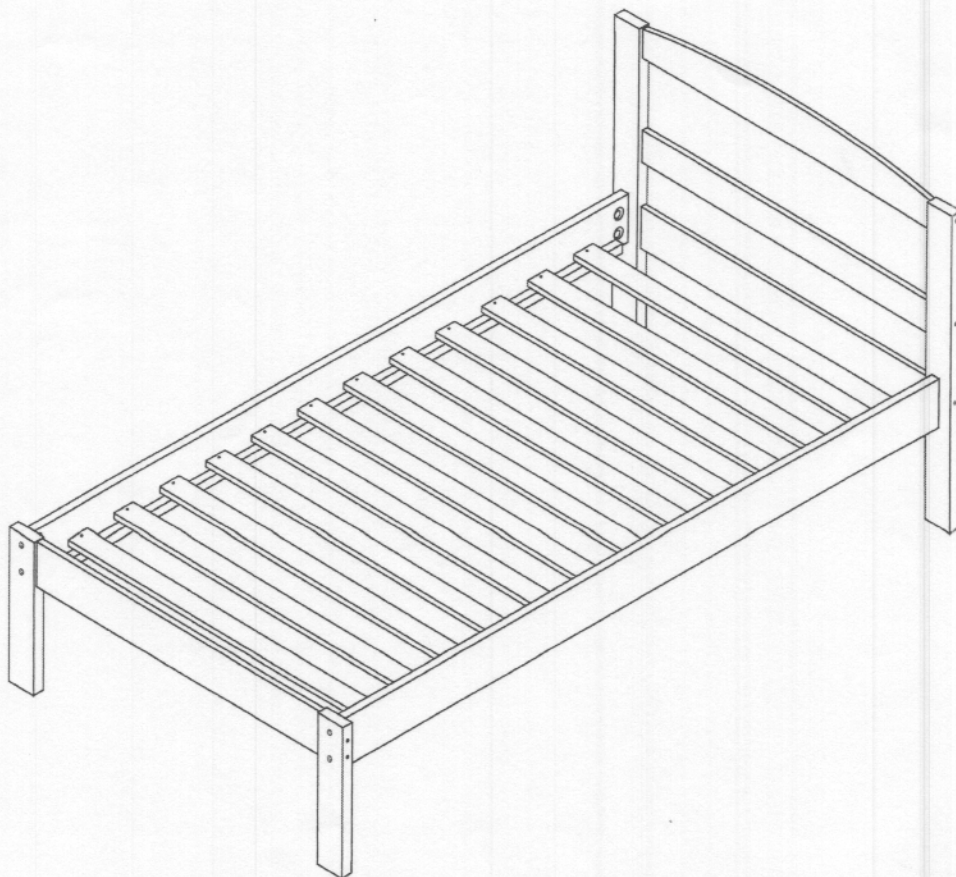
E 1/4" Half Moon Qty 08

H 4mm Hex Screwdriver Qty 01

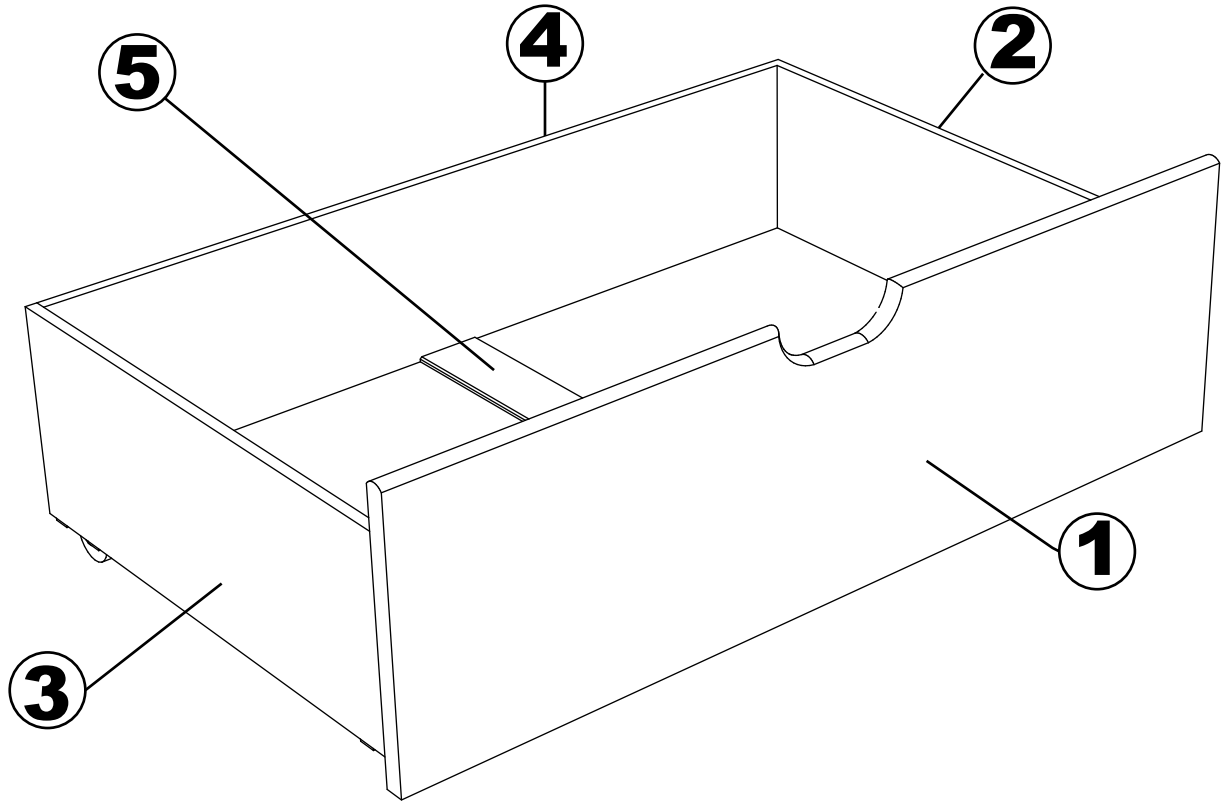
04



The first slats must be fixed here at 3" from each headboard end.



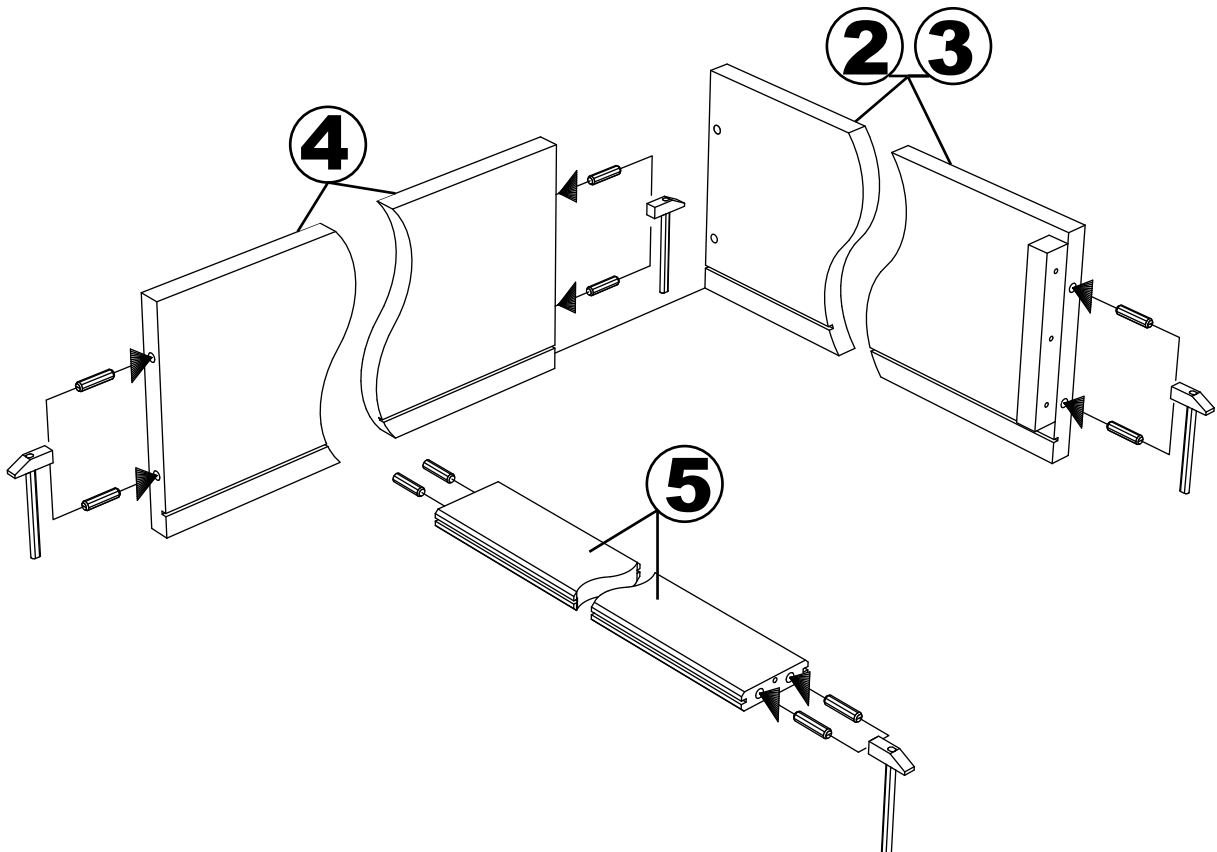
ASSEMBLY INSTRUCTIONS - DUAL UNDERBED DRAWERS





D


Ø8 x 30mm Qty: 12

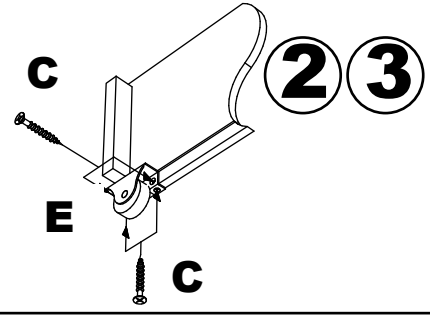
Step 01



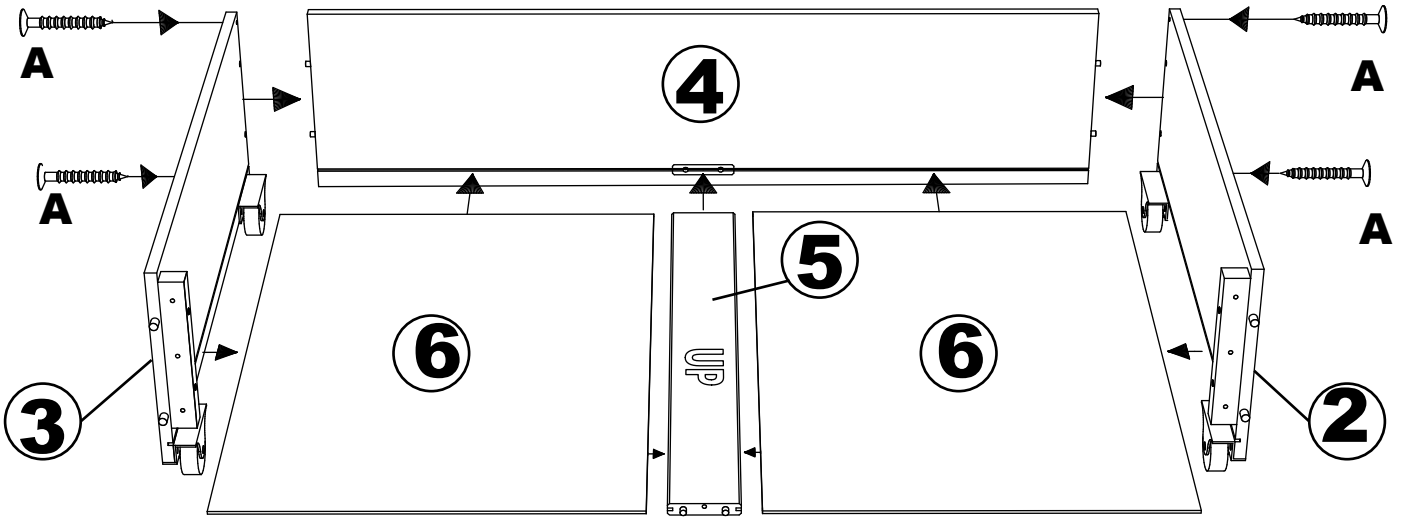
ASSEMBLY INSTRUCTIONS - DUAL UNDERBED DRAWERS


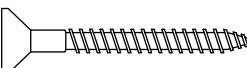
A  
 Ø4 x 30mm Qty: 06

Step 02


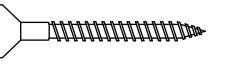


Step 03

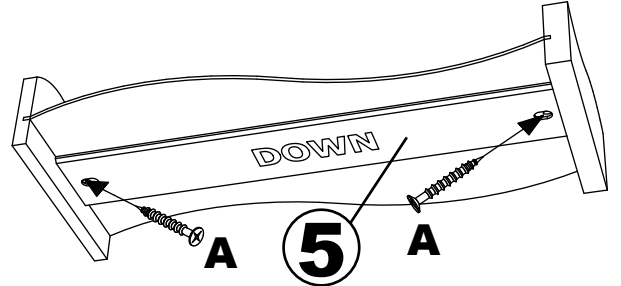


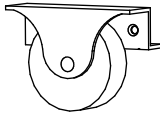
B  
 Ø4 x 35mm Qty: 06

Step 03

C  
 Ø3 x 15mm Qty: 16

Step 04



E  Qty: 04

