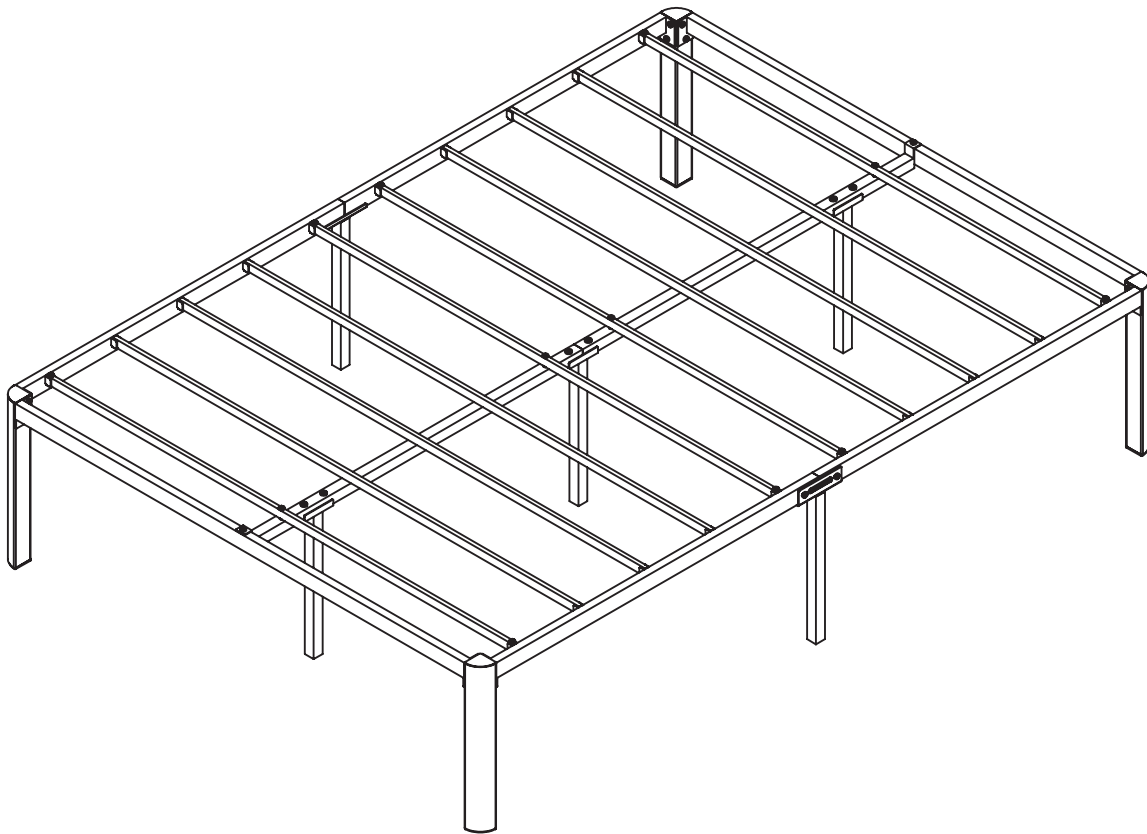


# ASSEMBLY INSTRUCTIONS

Podium Bed  
120/135x190cm



## **IMPORTANT – READ CAREFULLY – RETAIN THESE INSTRUCTIONS FOR FUTURE REFERENCE**

• **PLEASE KEEP THE ORIGINAL PACKING UNTIL YOUR ITEM IS FULLY ASSEMBLED AND IN PLACE. IN THE UNLIKELY EVENT YOU NEED TO RETURN YOUR PRODUCT. IT MUST BE RETURNED IN ITS ORIGINAL PACKING TO AVOID ANY DAMAGE. OTHERWISE NO RETURNS WILL BE ACCEPTED.**

• Due to the size of this product, we recommend that it is assembled in the room intended for use.

• When you are ready to start, make sure that you have the right tools, plenty of space and a clean, dry area for assembly.

• Unwrap all packaging materials and place the components on top to the carton box or on a clean blanket to prevent it and your floor from scratching.

• Keeping small parts in a bowl should reduce the chances of losing any small components.

• Check the pack and make sure you have all the parts listed.

• Ensure that the product is fully assembled and secured as illustrated before use.

• Check all screws or bolts are tightened and inspect regularly – this is a normal requirement of flat-pack furniture.

• This product should only be used on firm, level ground.

• Please dismantle fully before transporting anywhere.

• **IF THIS PRODUCT IS GOING TO BE USED ON A WOOD, LAMINATE OR TILED FLOOR, YOU MUST APPLY "ANTI SLIP PADS" TO ALL LEGS TOUCHING THE FLOOR.**

**THESE ARE AVAILABLE TO BUY IN MOST HARDWARE SHOPS IN A FELT MATERIAL OR RUBBER AND ARE RELATIVELY INEXPENSIVE.**

**THE PADS WILL PROTECT YOUR FLOOR FROM ANY MARKING AND ALSO FROM SLIPPING.**

**FAILURE TO APPLY THE PADS WILL RESULT IN NO RETURNS OF THE PRODUCT AND ANY SPARE'S REQUESTED.**

## **WARNINGS**

• This product is intended for a maximum person's weight of 100kg per side. Do not exceed this weight.

• Keep small parts out of reach of children, as they present a choking hazard.

• Make sure the legs remain in contact with the ground.

• Do not use power tools to construct this product. Only use those tools listed.

• The use of power tools will invalidate any future claim.

• Do not tighten screws fully until fully assembled, to ensure that the product is square.

• Do not use the product if parts are missing, damaged or worn.

• Do not stand directly on the product.

• Keep sharp or heavy objects away from the surface of the product.

• Incorrect installation could lead to injury. Take care following instructions.

## **CARE INFORMATION**

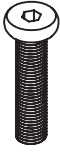
• Never use scourers, abrasives or chemical cleaners. Avoid contact with hair spray, nail polish or varnishes.

• To clean, wipe with a sponge and warm soapy water. Do not use solvent-based cleaners or detergents as they can bleach or damage the product.

• Once you are satisfied with your new product, please dispose of all packaging in a safe and environmentally friendly way.

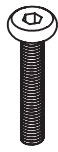
# FITTINGS

A



M8\*35mm  
x6 pcs

B



M6\*35mm  
x4 pcs

C



M6\*15mm  
x10 pcs

D



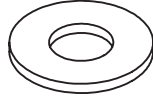
M6\*12mm  
x16 pcs

E



M5\*30mm  
x6 pcs

F



∅ 8/22  
Flat Washer  
x6 pcs

G



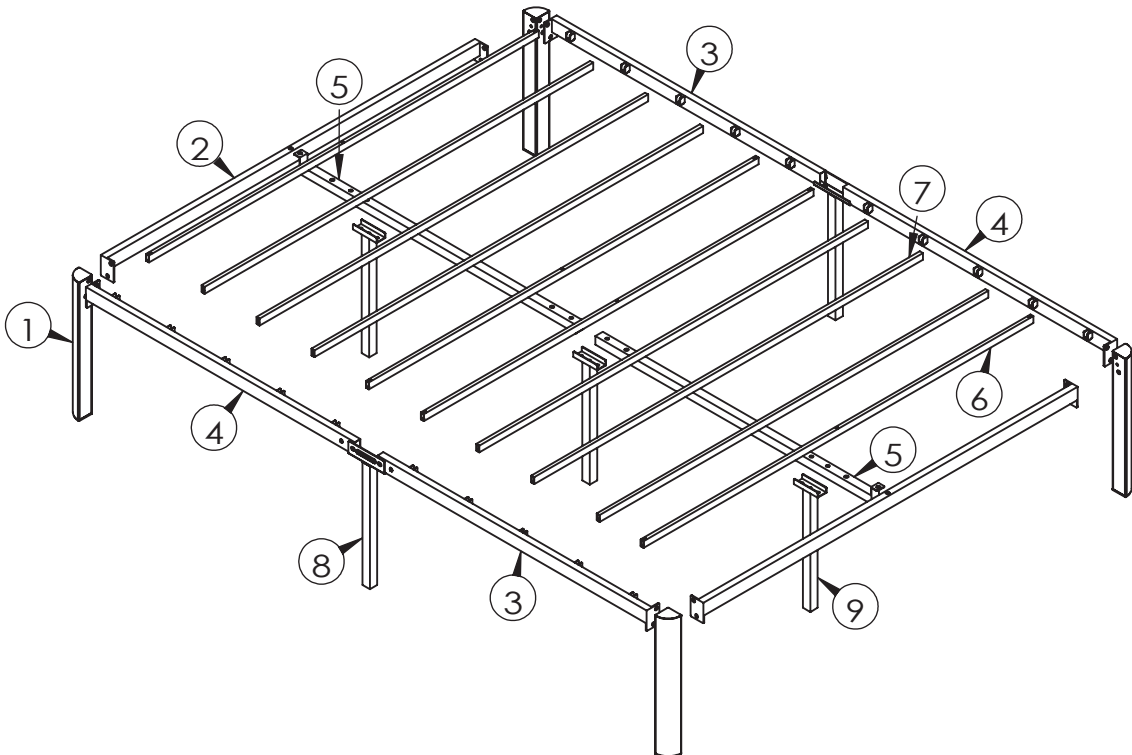
∅ 6/16  
Flat Washer  
x12 pcs

H

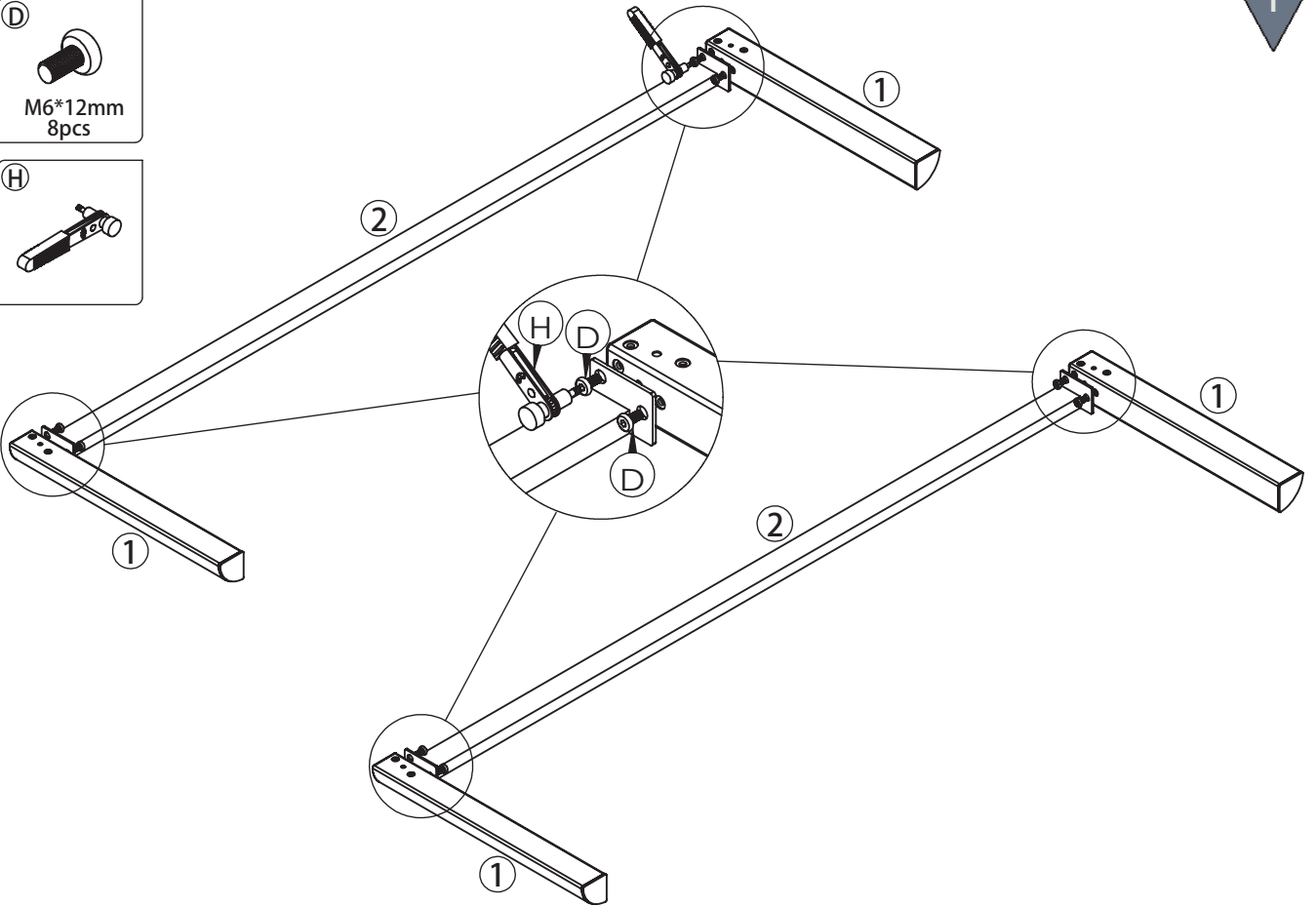
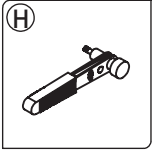


M4 Ratchet  
x1 pc

# COMPONENTS



1



2

