



20 : 00

---

estimated assembly



2 or more

---

people required

Ok, let's  
get started!



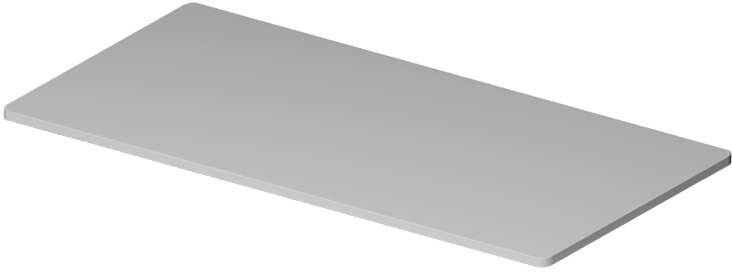
- Put on mood music!
- To prevent damage to product, use the clean side of package carton or rug as working surface.
- In the event of missing or damaged parts, delivery problems etc., please reach out to our team. We will be happy to fix the problem!

# care guide

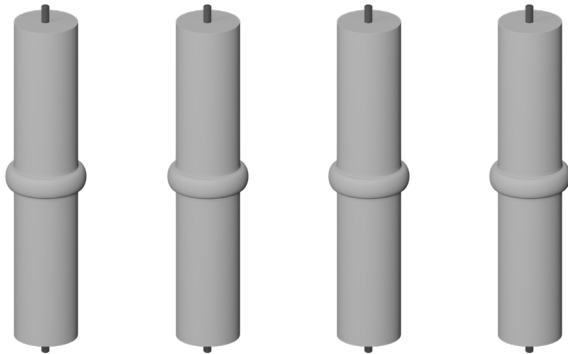
- Clean regularly with a soft and dry cloth.
- To protect finish, avoid use of abrasive cleaners.
- Wipe up spills immediately. Please!



# product parts

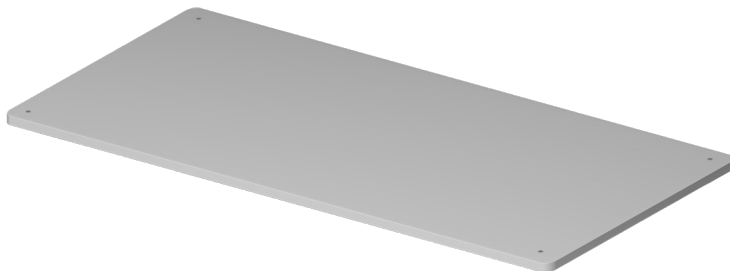


(A)  
Top Shelf  
x1

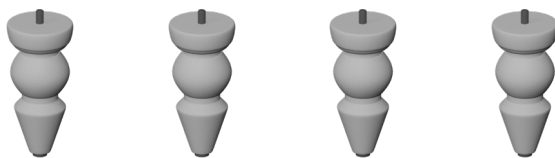


(B)  
Mid legs  
x4

what's  
included



(C)  
Bottom Shelf  
x1



(D)  
Bottom legs  
x4

OS

Orange sticker

YS

Yellow sticker

GS

Green sticker

WS

White sticker

## assembly instructions

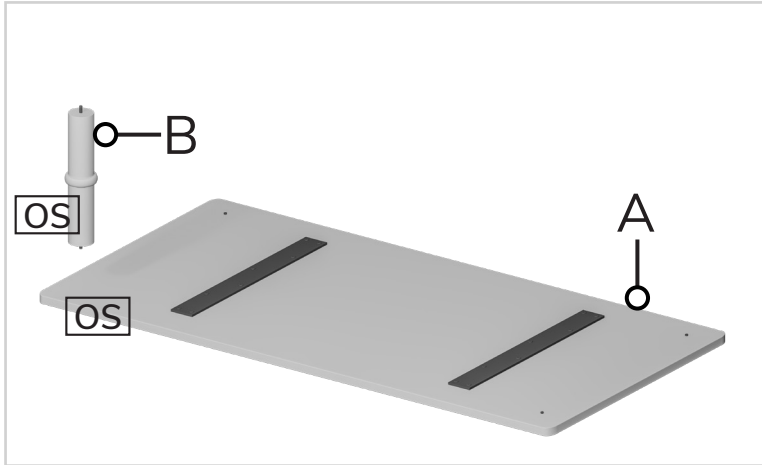
Friendly Tip: Take a deep breath going in. This may be a tricky part, but nothing too overwhelming. Just follow these steps to the T and the outcome will be worth it!



- ⓘ While assembling the product, tighten the bolts up to 50%. Once all parts are in place, only then fully tighten the bolts.

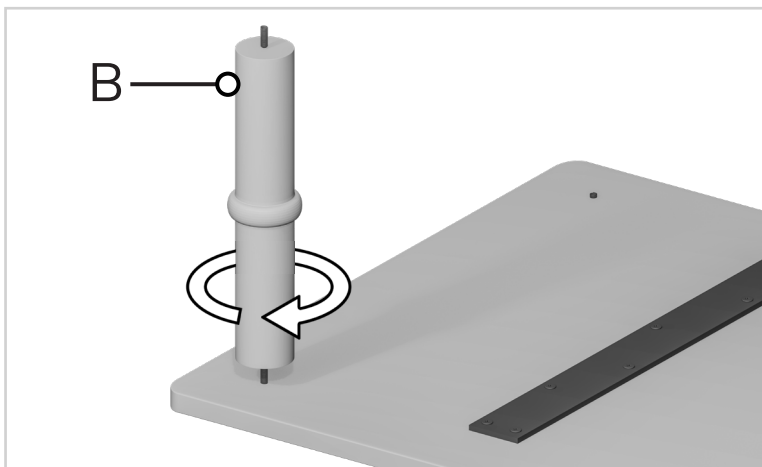
## step 1:

Start by placing the top shelf (A) upside down on a flat surface. Now, align the screw on mid-leg (B) with the slots on top shelf (A). Ensure the stickers on (A) match with the stickers on (B). Take the image below as a reference.



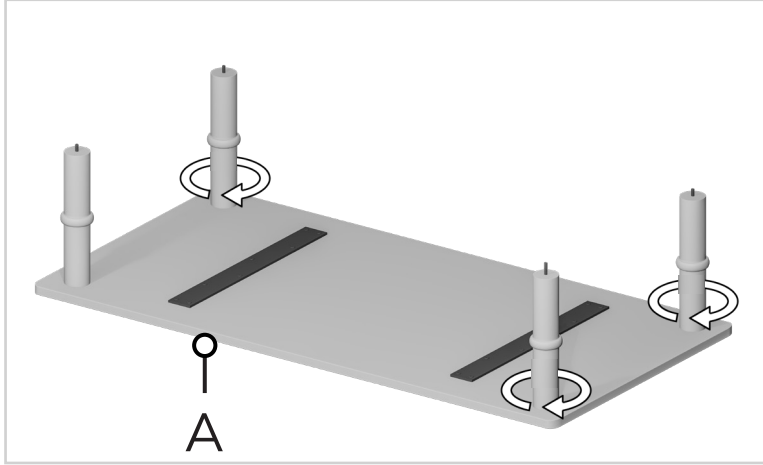
## step 2:

Screw the leg (B) into the designated holes by hand, applying firm pressure to ensure it is securely tightened.



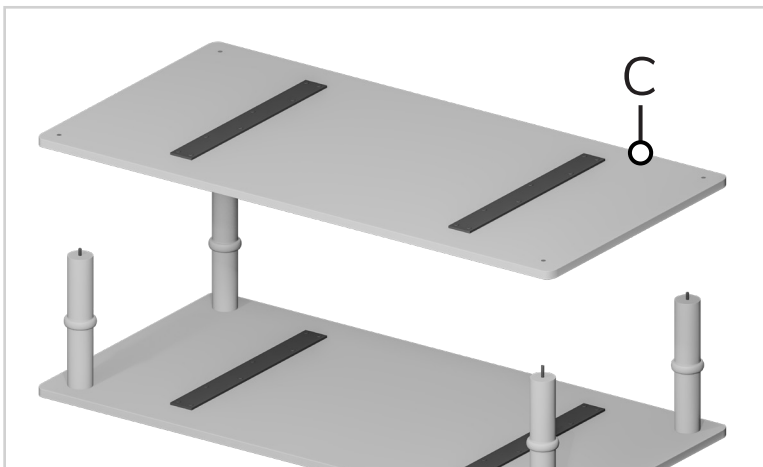
step 3:

Repeat the same process with the remaining middle legs (B).



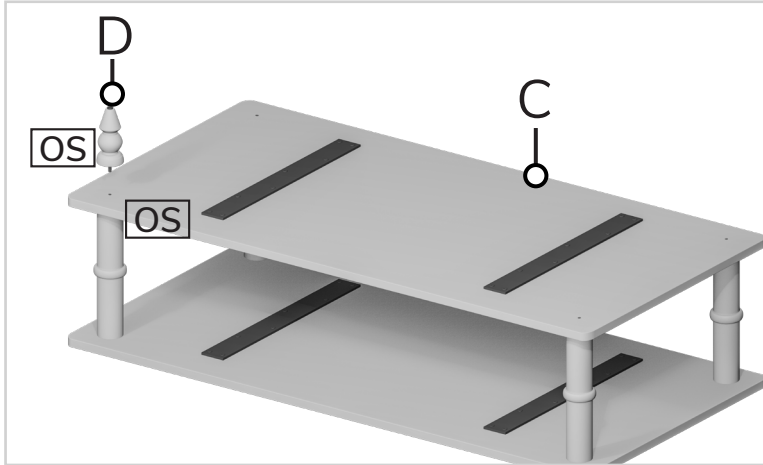
step 4:

Now, carefully place the second shelf (C) onto the assembled frame, ensuring that all four holes align perfectly with the screws on the middle legs (B).



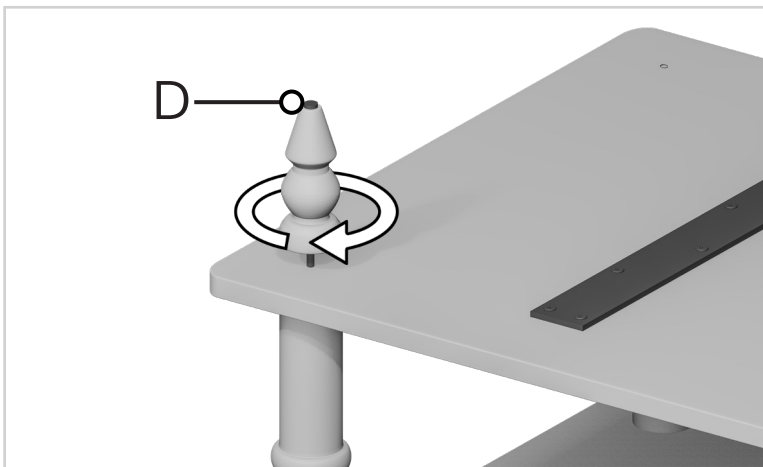
step 5:

Now, align the slots on the bottom legs (D) with the holes on the bottom shelf (C). Take the image below as reference.



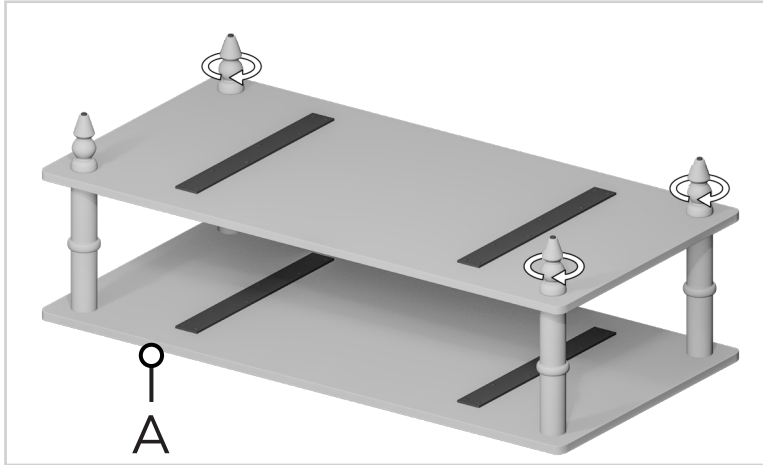
step 6:

Screw the leg (D) into the designated holes by hand, applying firm pressure to ensure it is securely tightened.



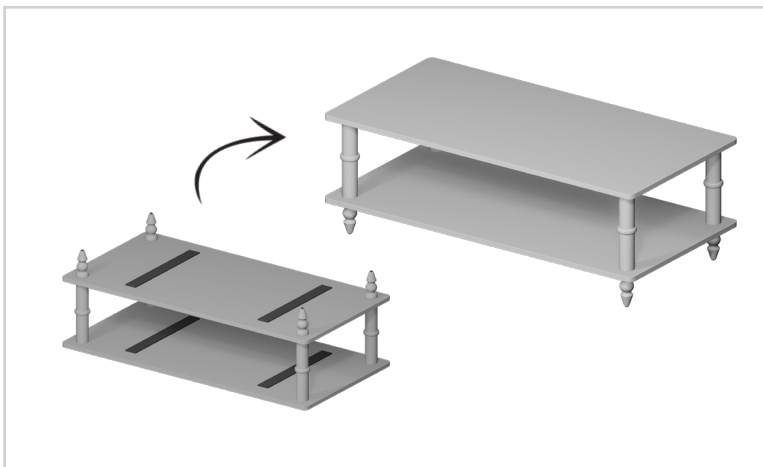
step 7:

Repeat the same process with the remaining bottom legs (D).



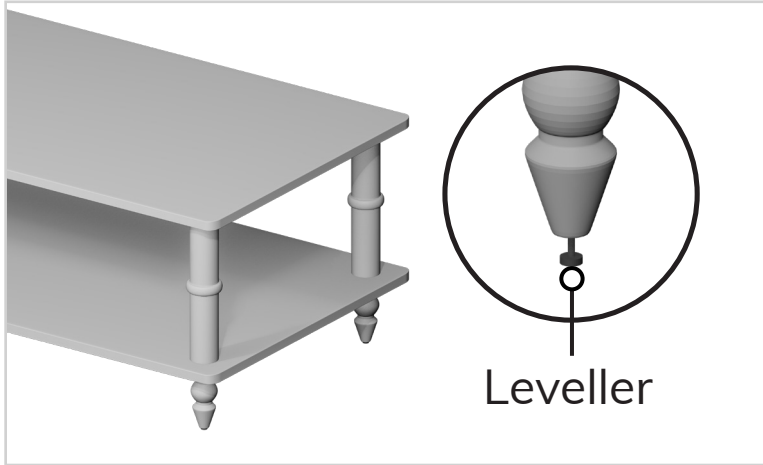
step 8:

Now, turn the assembled table upright.



step 9:

If required, adjust the levellers according to the floor as shown in the image.



---

**Voila! Your coffee table is now assembled and secure!**

you've  
got  
a home  
with us

