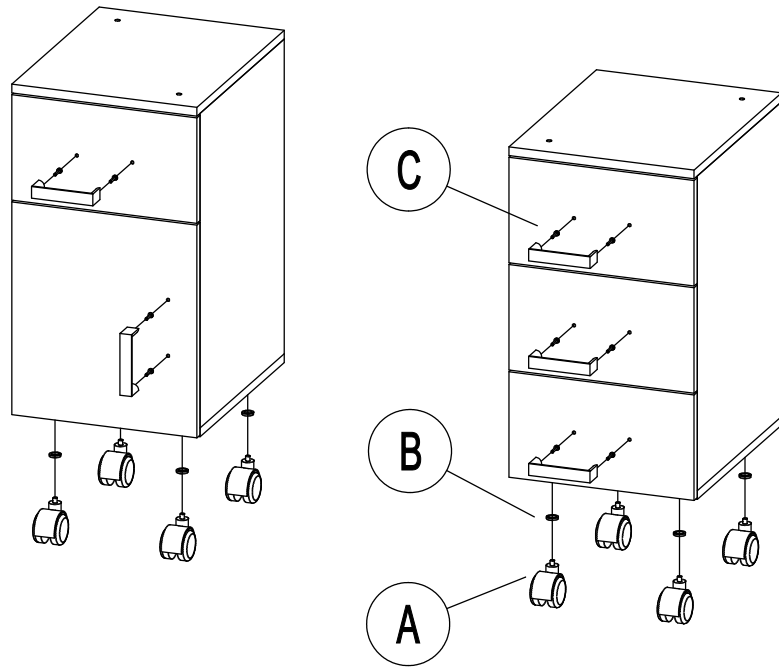
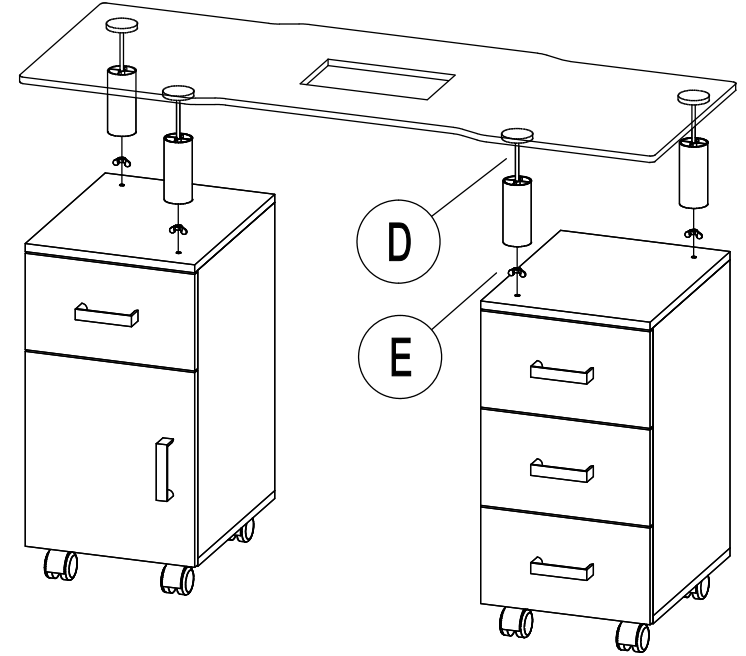


ASSEMBLY INSTRUCTION - GLASS TOP NAIL TABLE (DP - 3488)

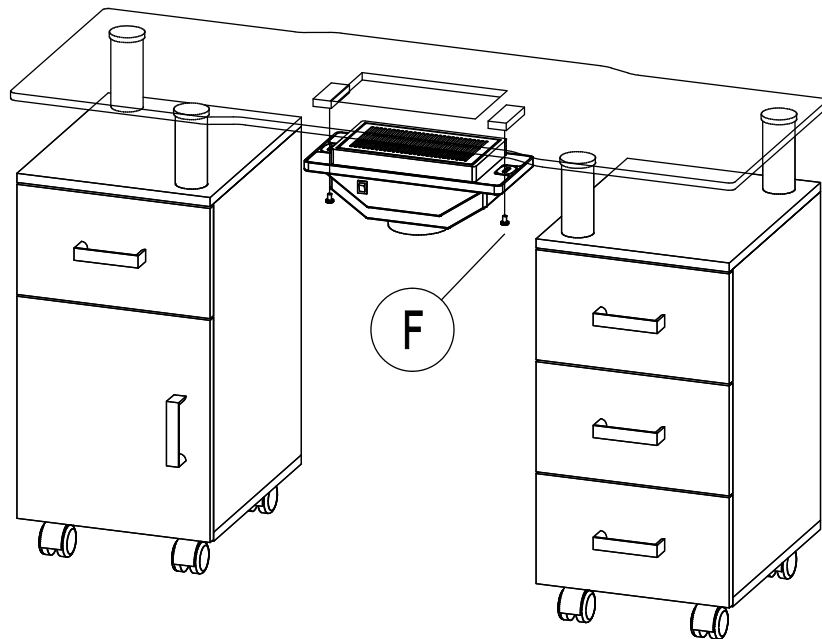
STEP 1



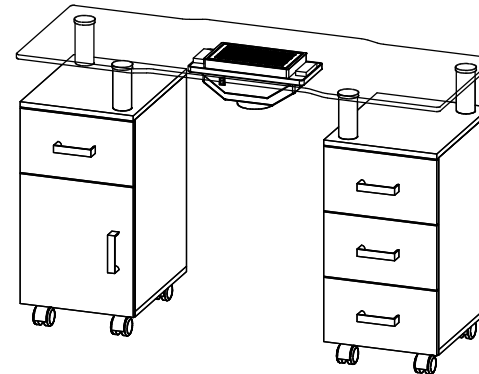
STEP 2





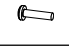
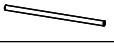

STEP 3



EXPLODED DIAGRAMS



PARTS LIST

ITEM	DESCRIPTION	QTY.	PART
A	castor wheel	8	
B	split lock washer	8	
C	screw - long	10	
D	threaded rod	4	
E	wing nut	4	
F	screw - short	2	