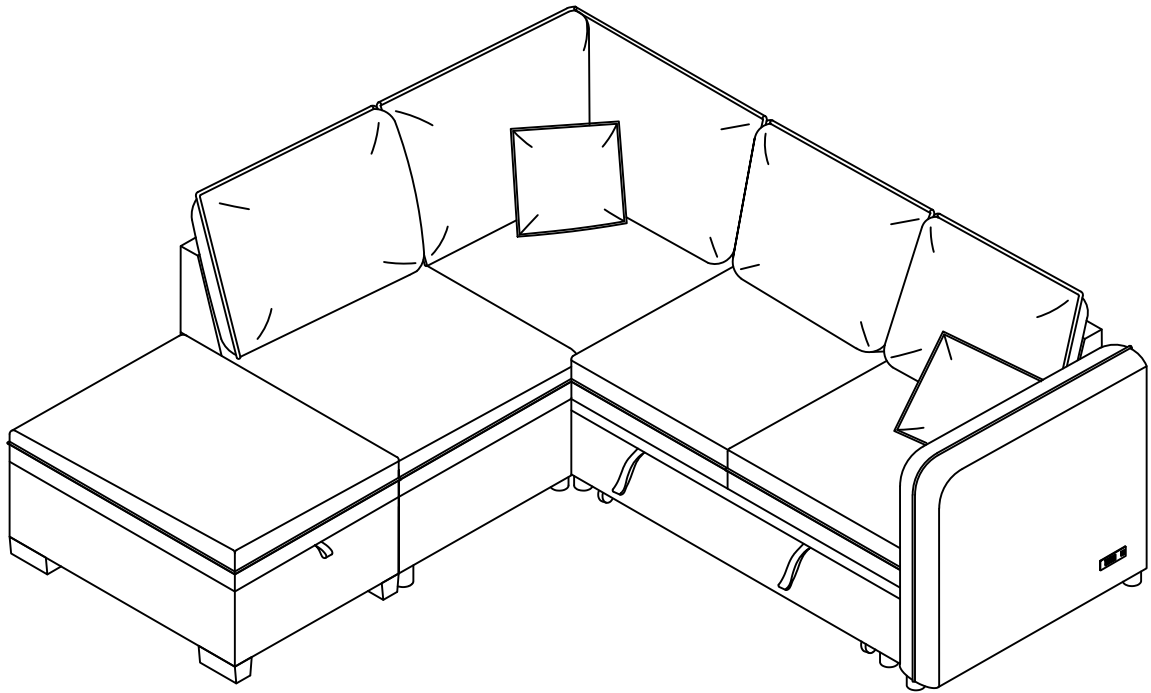
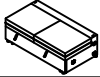

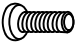




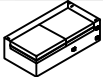
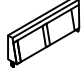
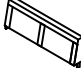
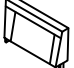




ASSEMBLY INSTRUCTION





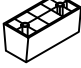


COMPONENT LIST

| NO. | DRAWING | QTY | DESCRIPTION |
|-----|---|-----|-----------------|
| D |  | 1 | Loveseat Body |
| C |  | 1 | Arm |
| P |  | 8 | Bolt Ø1/4"x20MM |
| Q |  | 4 | Wheel |
| B |  | 4 | Round Leg |

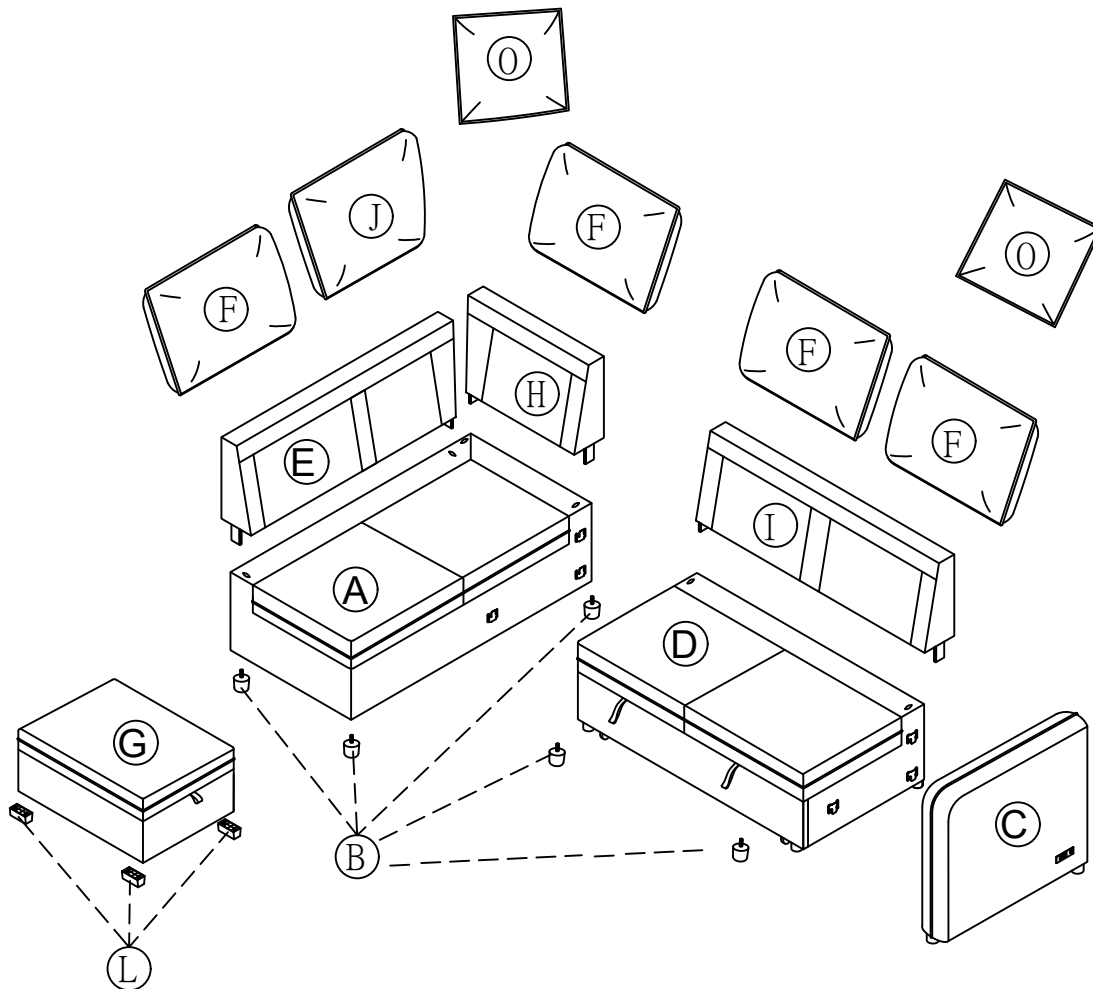
COMPONENT LIST

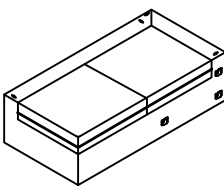
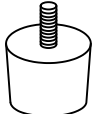
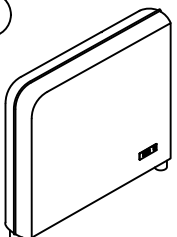
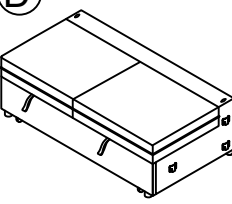
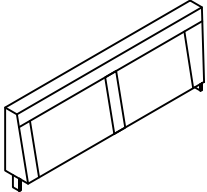
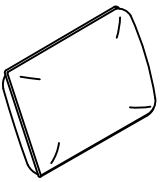
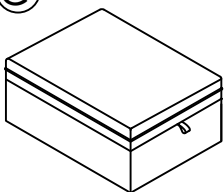
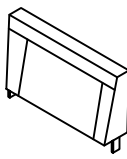
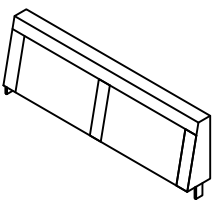
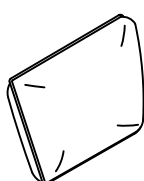
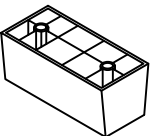


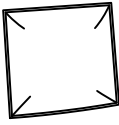
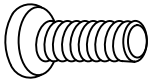
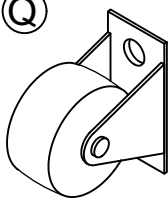
| NO. | DRAWING | QTY | DESCRIPTION |
|-----|---|-----|---------------------|
| A |  | 1 | Loveseat Body |
| E |  | 1 | Loveseat Backrest |
| I |  | 1 | Loveseat Backrest |
| H |  | 1 | Corner Backrest |
| O |  | 2 | Pillow |
| J |  | 1 | Corner Back Cushion |
| B |  | 4 | Round Leg |
| F |  | 2 | Back Cushion |

COMPONENT LIST

| NO. | DRAWING | QTY | DESCRIPTION |
|-----|---|-----|------------------|
| G |  | 1 | Ottoman |
| F |  | 2 | Back Cushion |
| L |  | 4 | Square Leg |
| M |  | 8 | Bolt Ø5/16"x40MM |
| N |  | 1 | Allen Key |

PARTS LIST

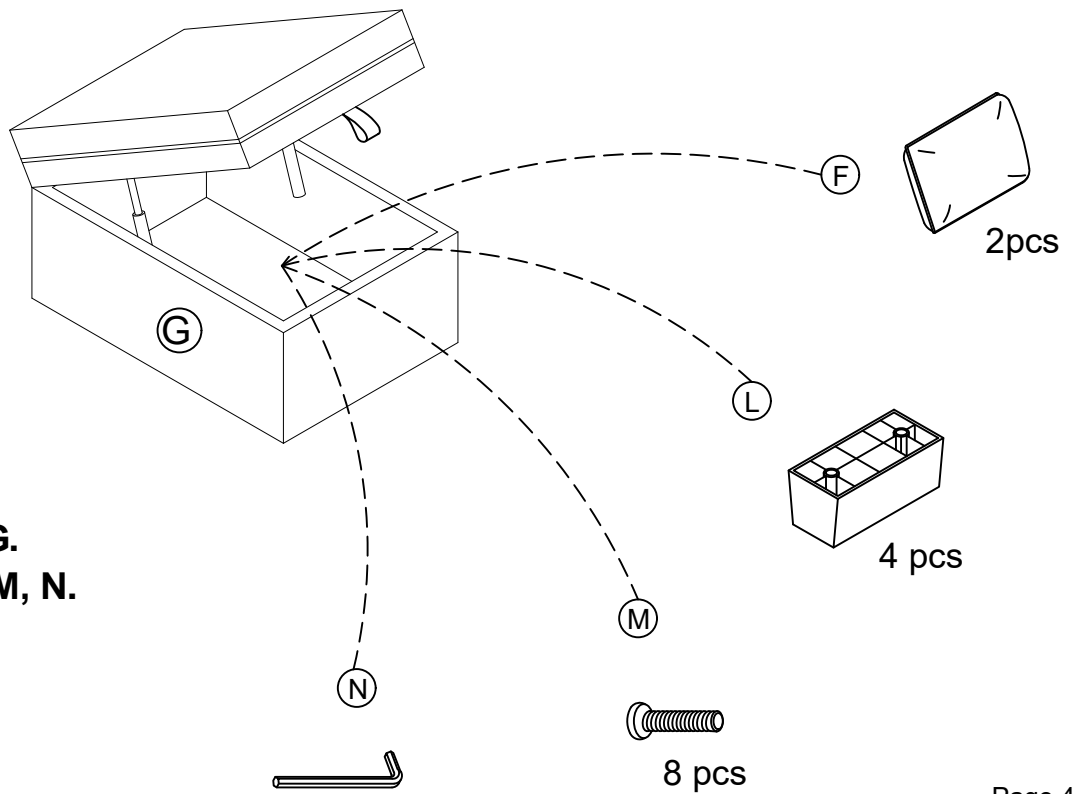
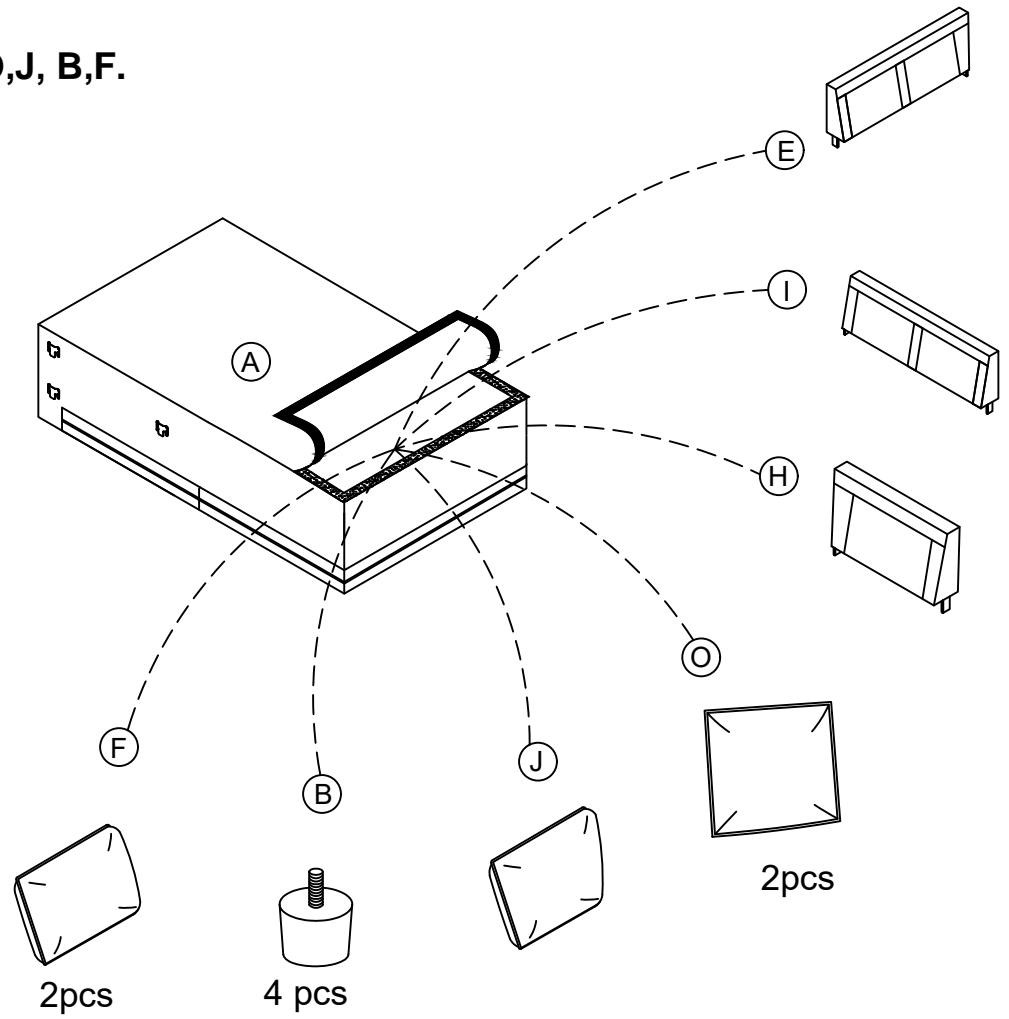


| | | | | | |
|---|--|--|--|--|---|
| <p>(A)</p>  <p>Loveseat Body X 1PC</p> | <p>(B)</p>  <p>Round Leg X 8 PCS</p> | <p>(C)</p>  <p>Arm X 1PC</p> | <p>(D)</p>  <p>Loveseat Body X 1PC</p> | <p>(E)</p>  <p>Loveseat Backrest X 1PC</p> | <p>(F)</p>  <p>Back Cushion X 4PCS</p> |
| <p>(G)</p>  <p>Ottoman X 1PC</p> | <p>(H)</p>  <p>Corner Backrest X 1PC</p> | <p>(I)</p>  <p>Loveseat Backrest X 1PC</p> | <p>(J)</p>  <p>Corner Back Cushion X 1PC</p> | <p>(L)</p>  <p>Square Leg X 4PCS</p> | <p>(M)</p>  <p>Bolt Ø5/16"x50MM X 8 PCS</p> |
| <p>(N)</p>  <p>Allen Key X 1PC</p> | <p>(O)</p>  <p>Pillow X 2PCS</p> | <p>(P)</p>  <p>Bolt Ø1/4"x20MM x 8 PCS</p> | <p>(Q)</p>  <p>Wheel x 4 PCS</p> | | |
| | | | | <p>Page 3 of 7</p> | |

PARTS LIST

* Turn upside down A.

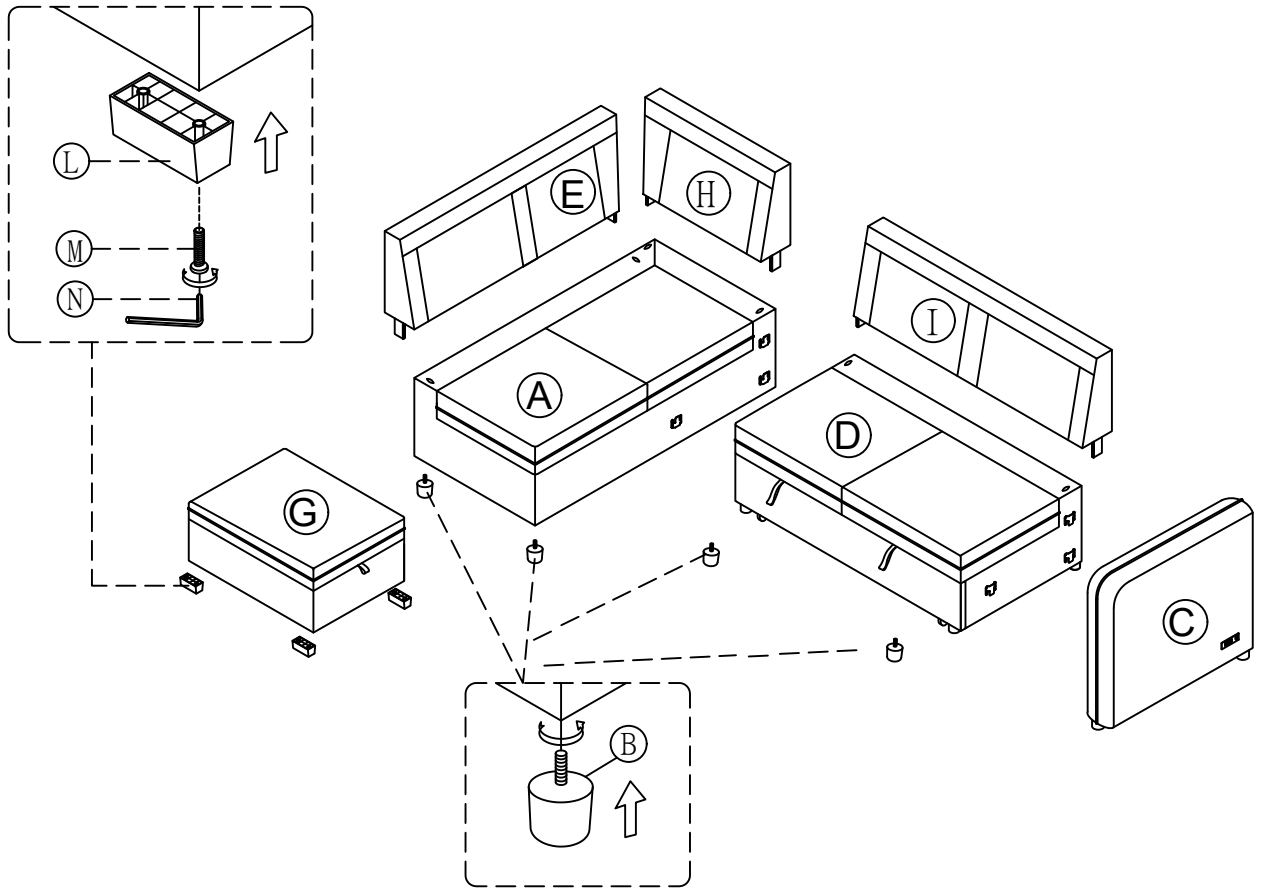
** Take out the E,I,H,O,J, B,F.



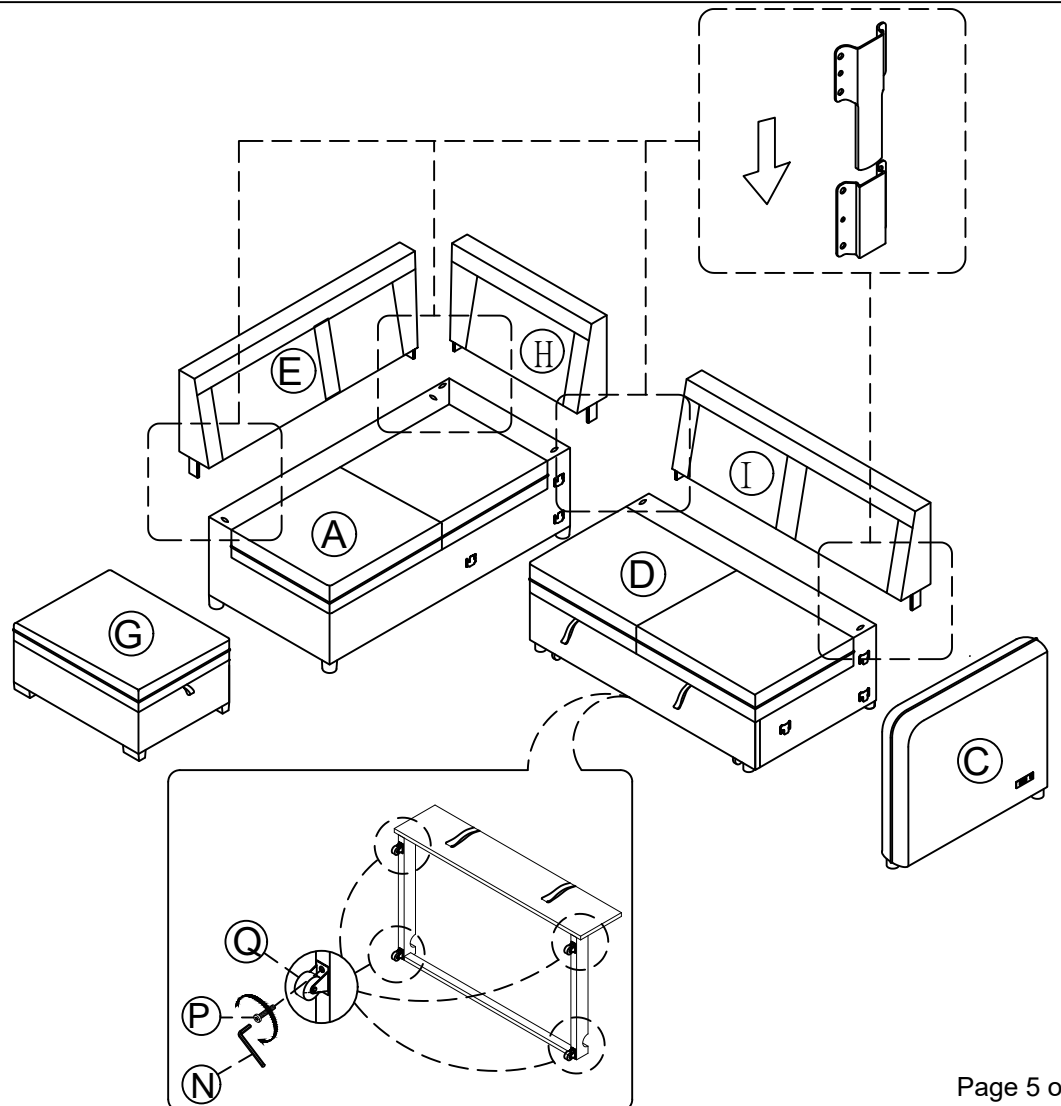
* Open Ottoman Lid G.

** Take out the F, L, M, N.

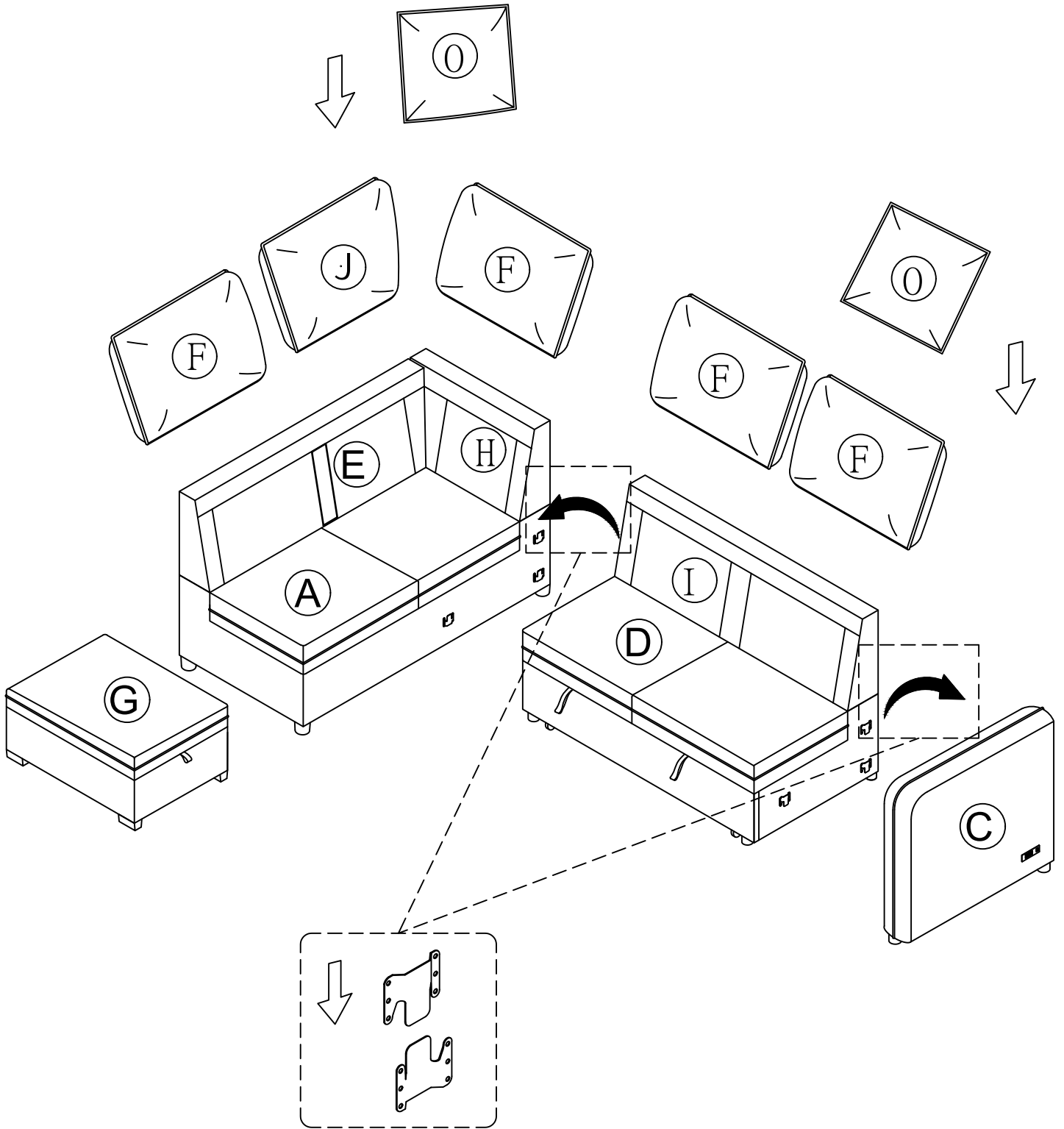
STEP 1:



STEP 2:



STEP 3:



Helpful Hints

- Sectional sofa can transform into a sleeper.
- Move your new furniture carefully, with two people lifting and carrying the unit to its new location.
- Your furniture can be disassembled and reassembled to move.
- Clean the product with a soft damp cloth. DO NOT use harsh chemicals or abrasive cleaners.

COMPLETED

