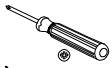


Required Tools



(A) Screwdriver



(B) Tape measure



(C) Pencil



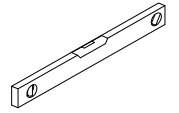
(D) Silicone



(E) Electric drill



(F) Drill bit (Ø8 & Ø5)



(G) Spirit level



(H) Hand hammer

Supplied Spare Part



(a) Screws (Ø4.2x50mm)



(b) Wall Plugs (Ø8X40mm)



(c)

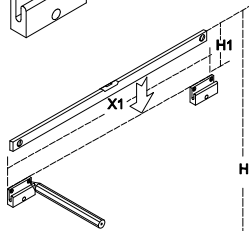
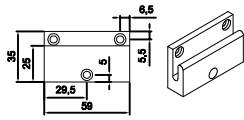
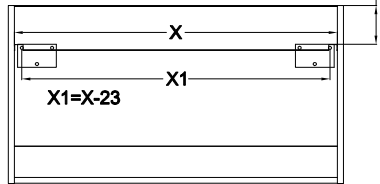
1



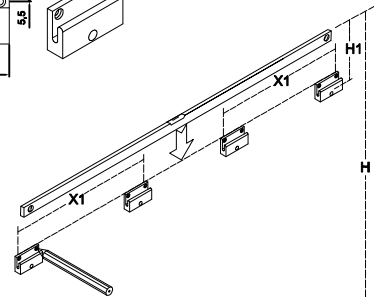
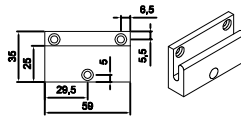
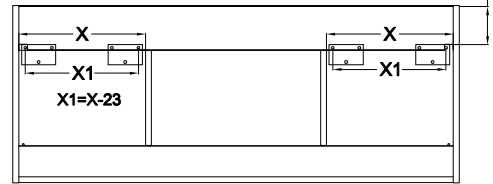
2



BACK



BACK



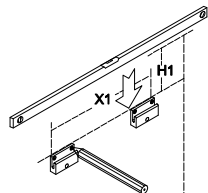
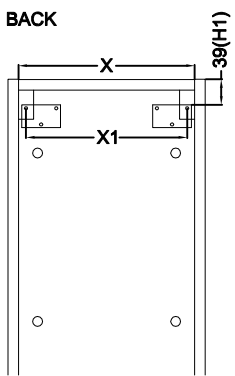
3



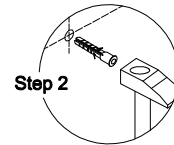
4



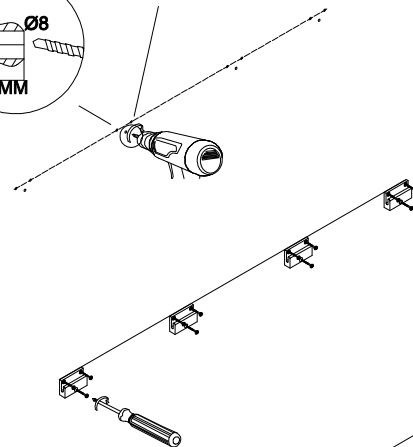
BACK



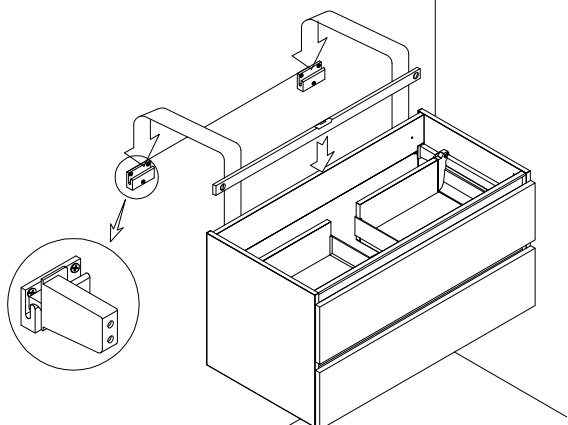
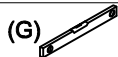
Step 2



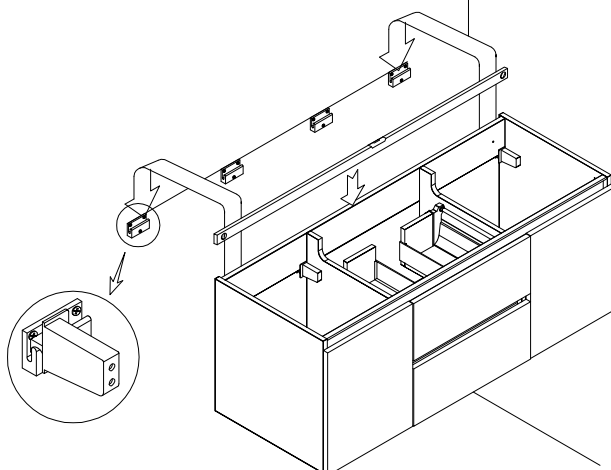
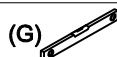
Step 1



5

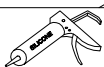


6

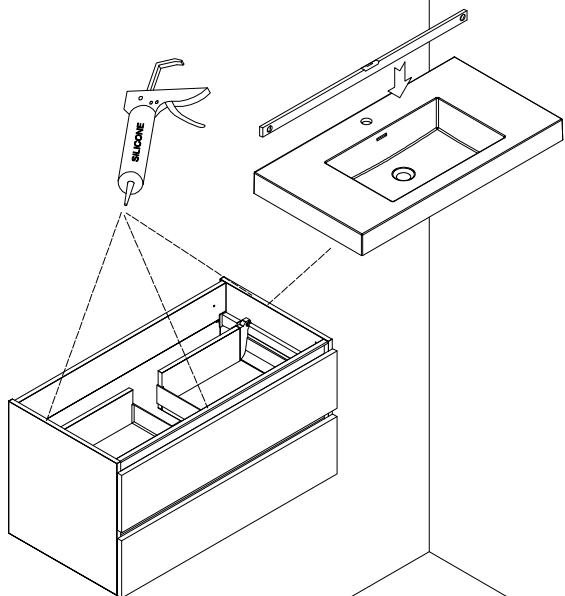


7

(D)

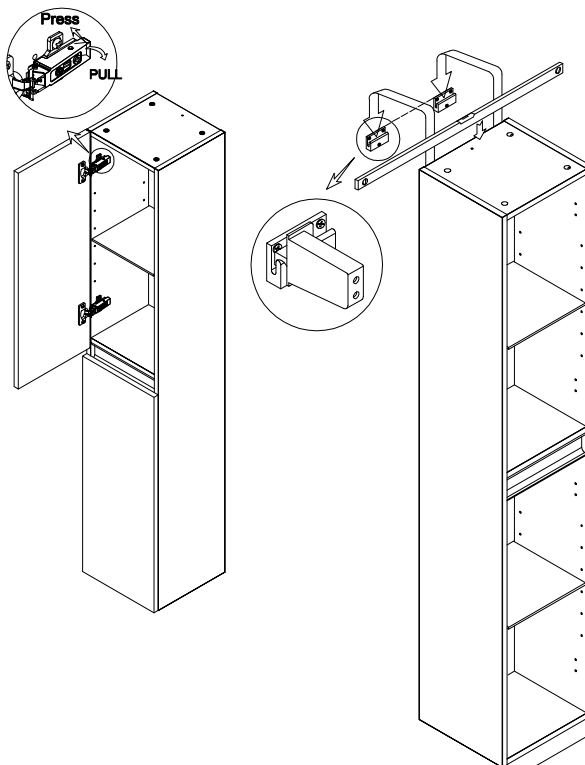


(G)

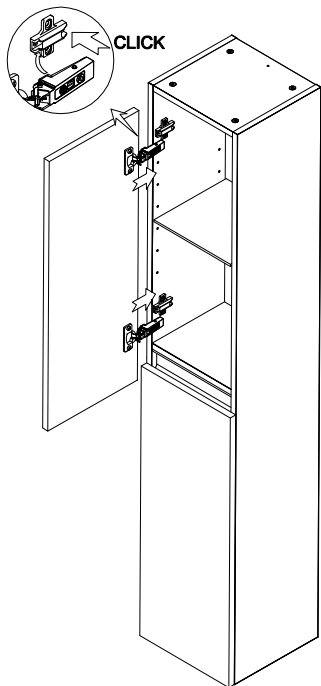


8

(G)



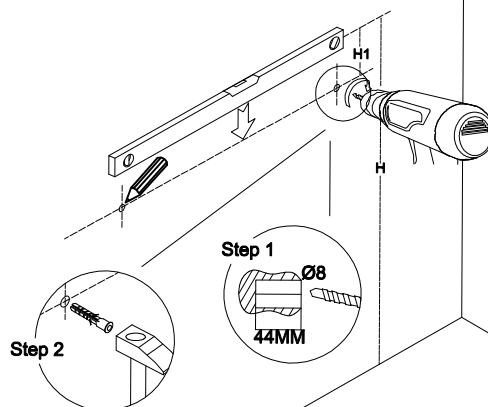
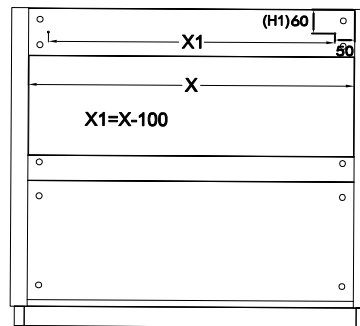
9



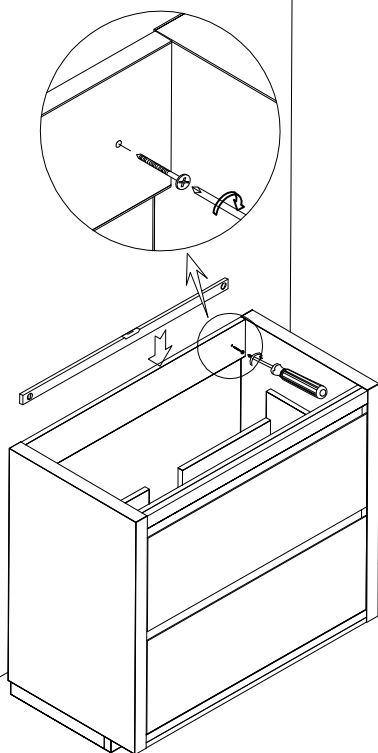
10



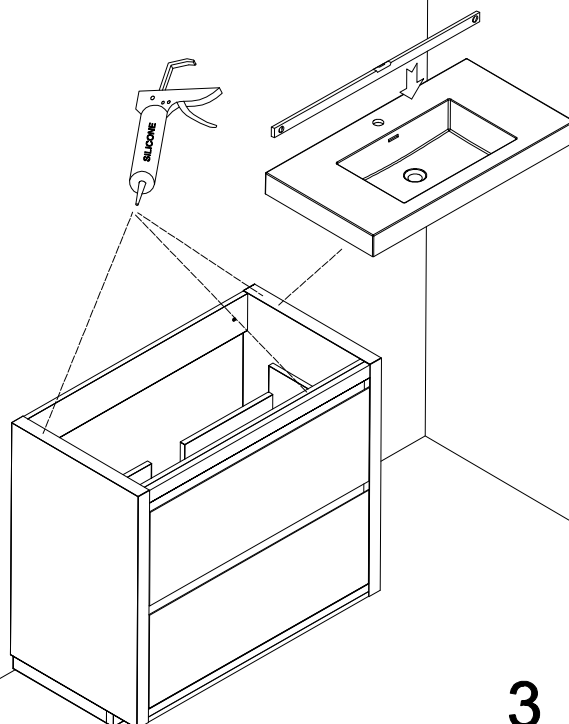
BACK



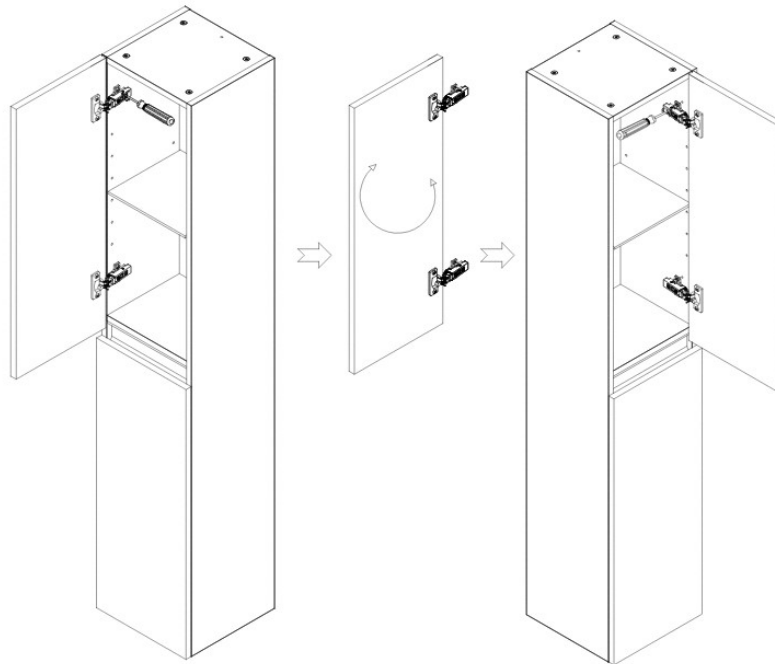
11



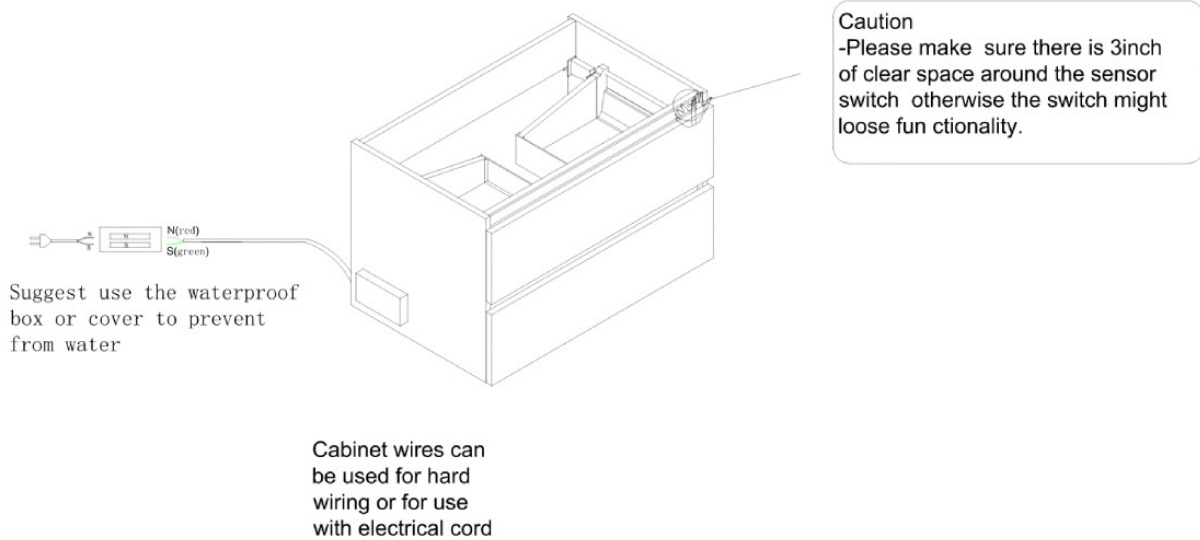
12



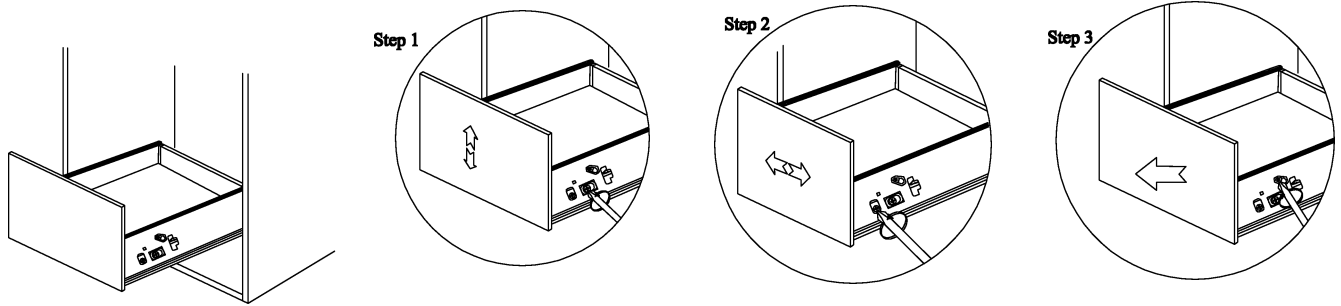
Interchange the left and right door panel



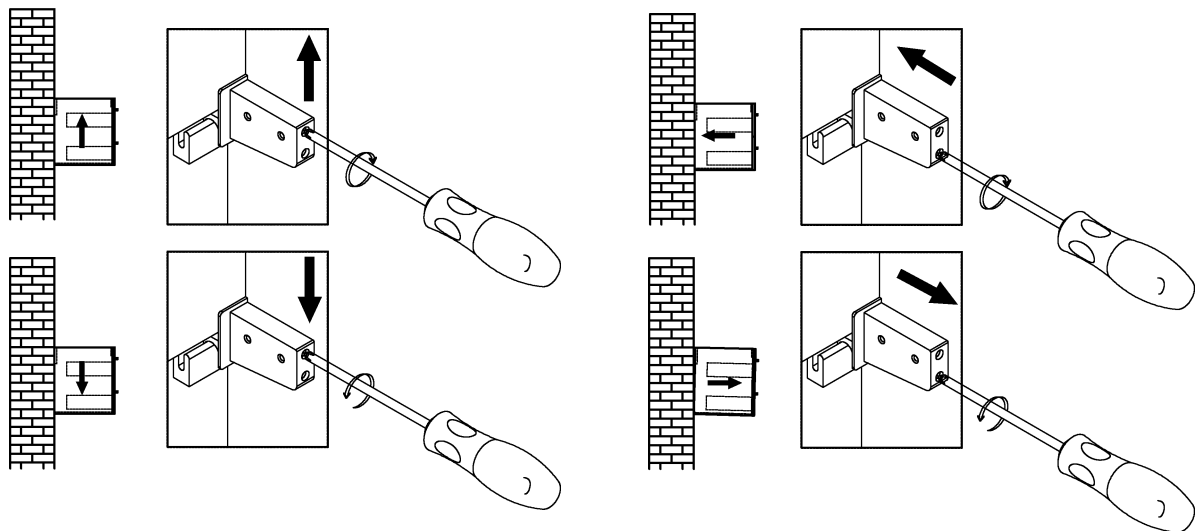
Turn on electricity



DTC Drawer runner adjustment



Hanger adjustment



Hinges regulation description

