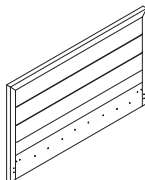
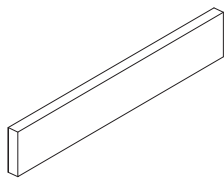
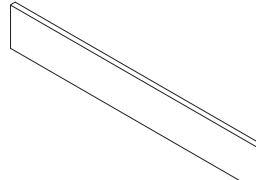
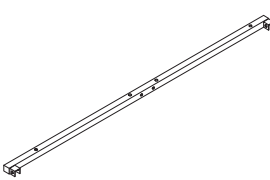
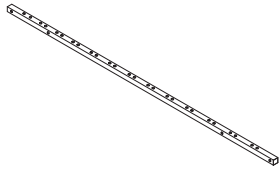


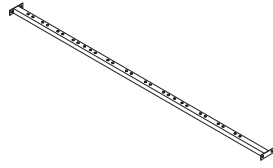
<p><b>A</b></p>  <p><b>x 1</b></p>	<p><b>B</b></p>  <p><b>x 1</b></p>	<p><b>C</b></p>  <p><b>x 2</b></p>	<p><b>D1</b></p>  <p><b>x 2</b></p>
---	---	--	--

D<sub>2</sub>



x 2

D<sub>3</sub>



x 2

E



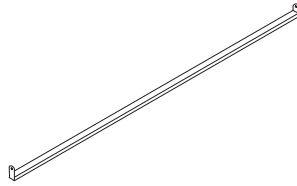
x 2

F



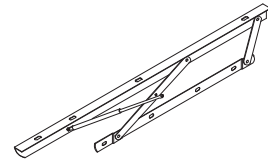
x 1

G



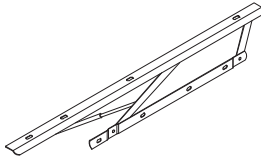
x 1

H<sub>1</sub>



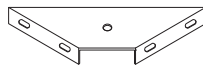
x 1

H<sub>2</sub>



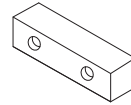
x 1

I



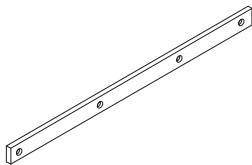
x 2

J



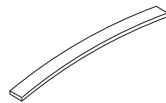
x 2

K



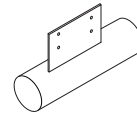
x 2

L



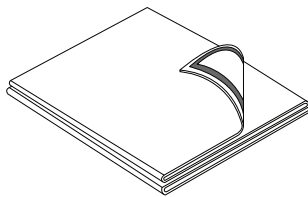
x 45

M



x 4

N



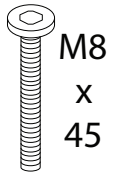
x 1

O



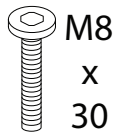
x 4

1



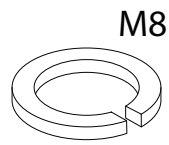
x 26

2



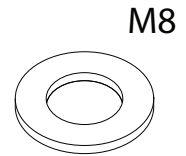
x 8

3



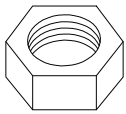
x 34

4



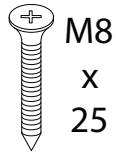
x 34

5



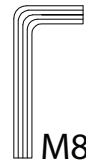
x 18

6



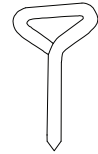
x 16

7



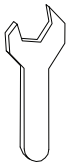
x 1

8



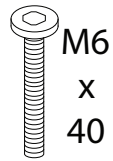
x 1

9



x 1

10



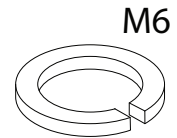
x 8

11



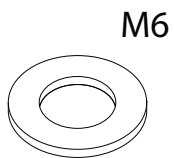
x 10

12



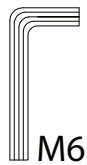
x 18

13



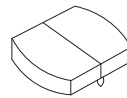
x 18

14



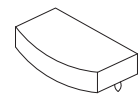
x 1

15



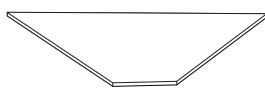
x 30

16



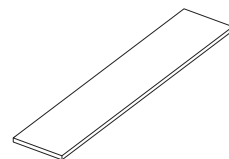
x 30

17



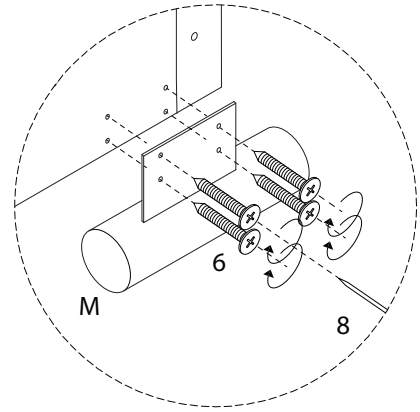
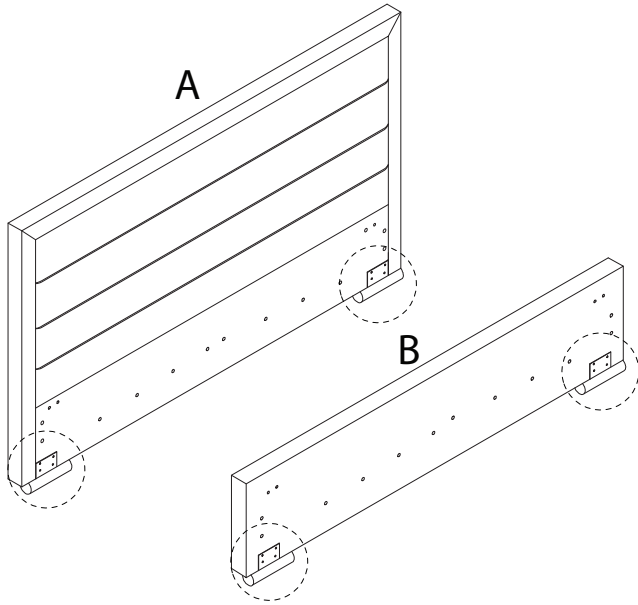
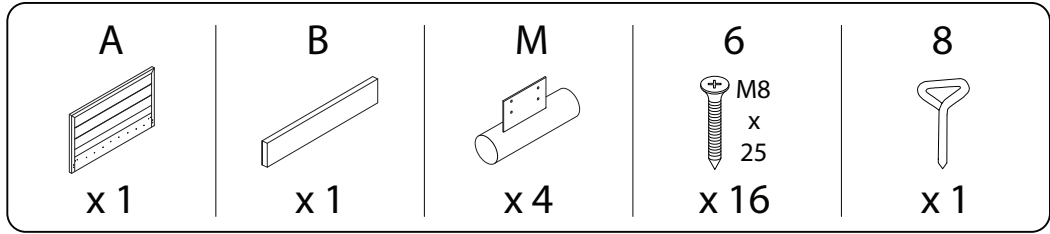
x 2

18

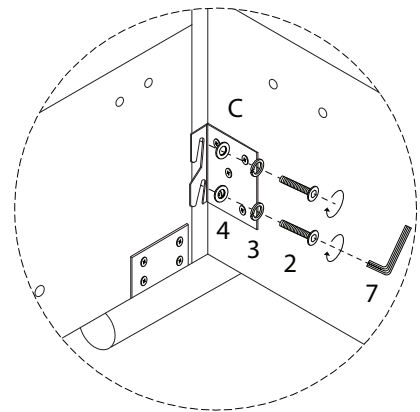
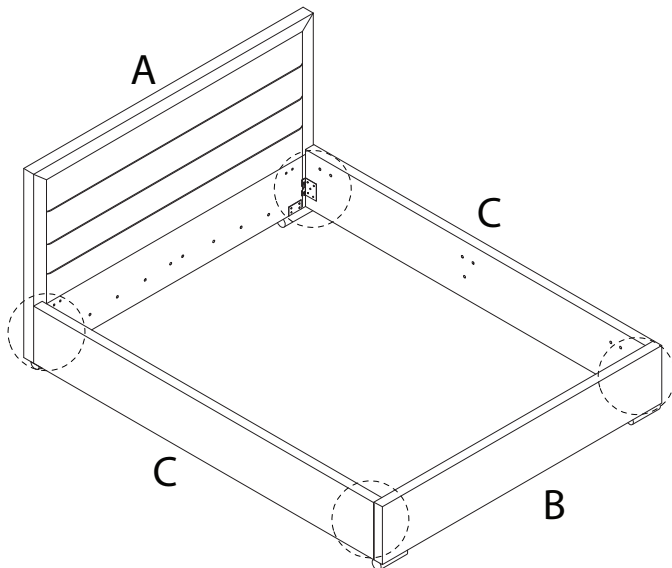
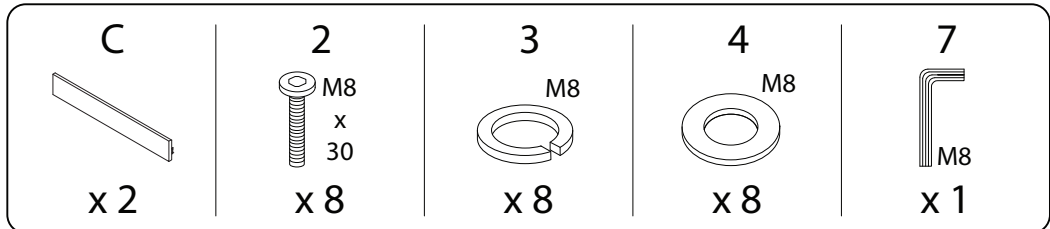


x 4

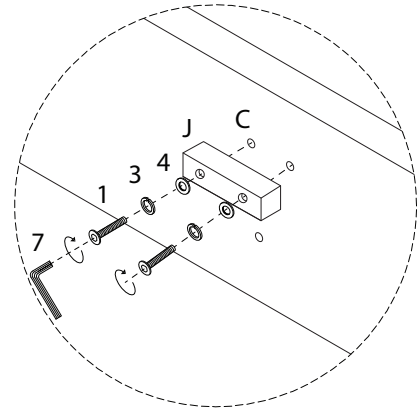
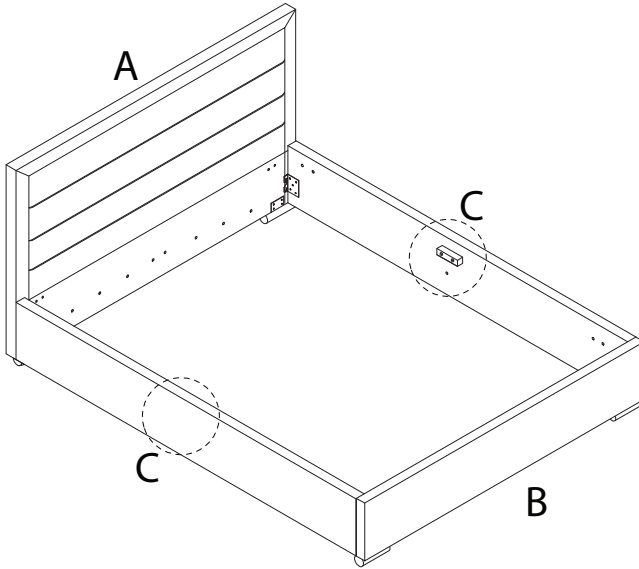
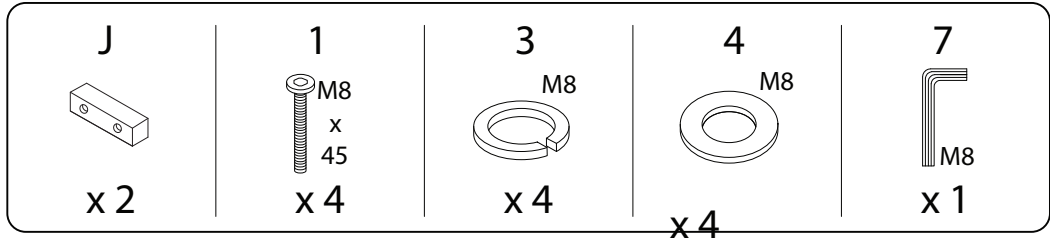
1



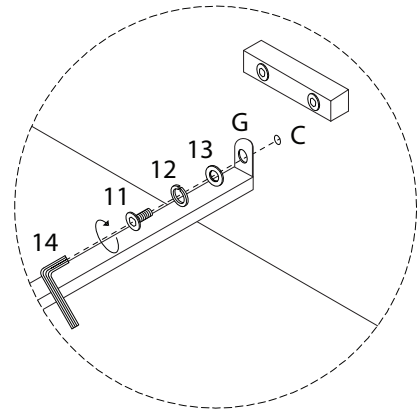
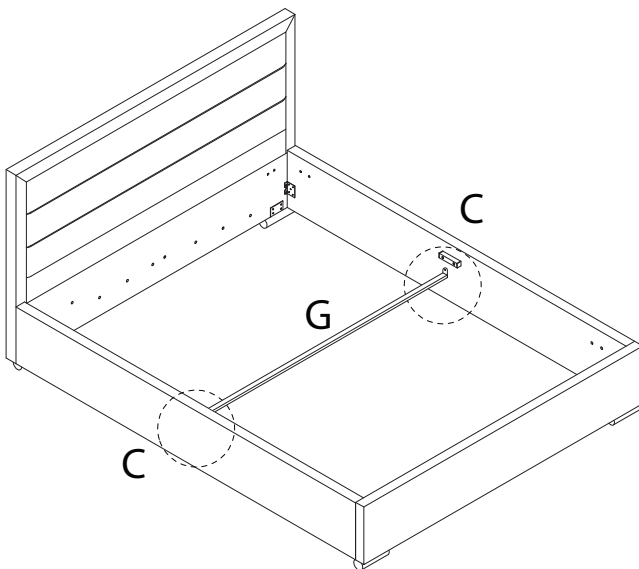
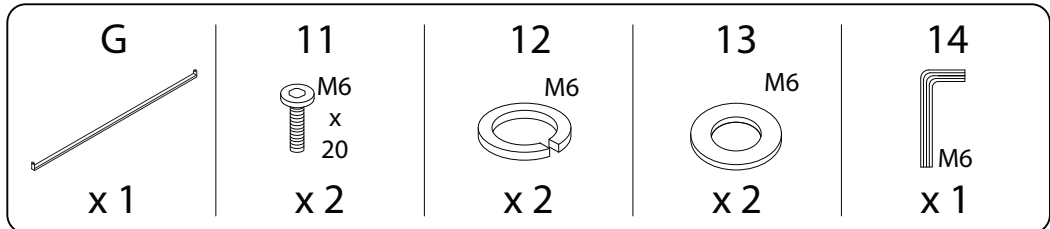
2



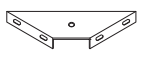

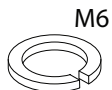

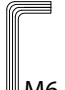
3

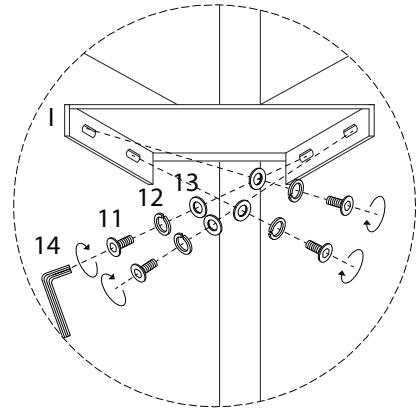
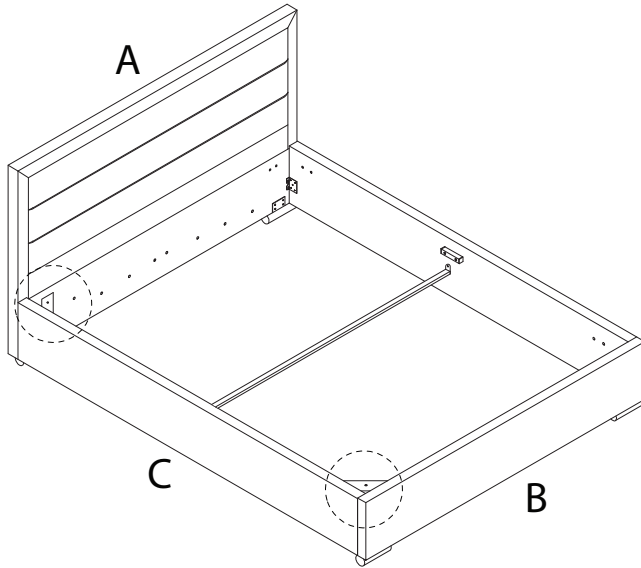


4

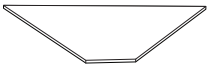


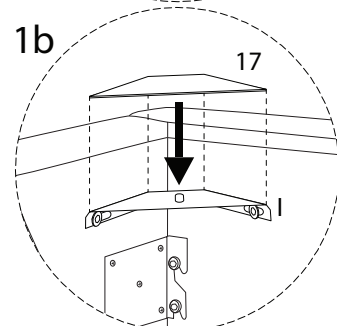
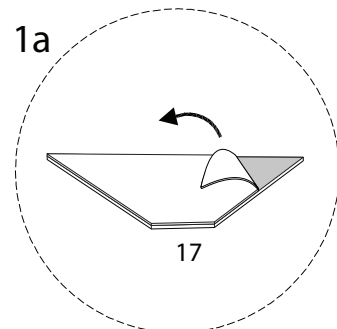
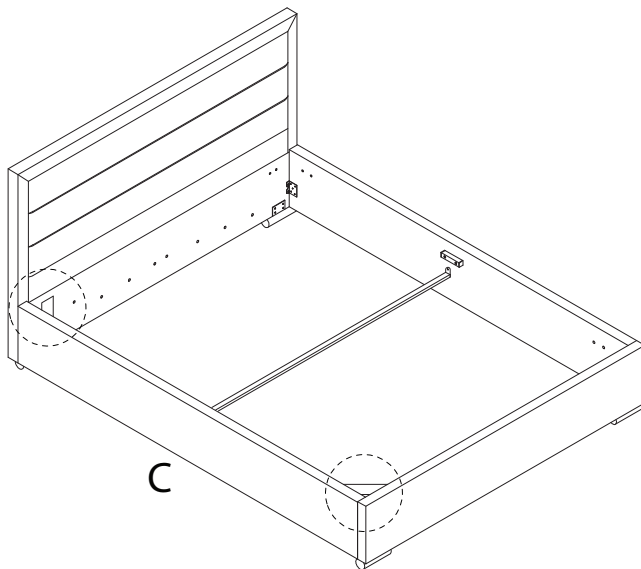
5

<p>I</p>  <p>x 2</p>	<p>11</p>  <p>M6 x 20 x 8</p>	<p>12</p>  <p>M6 x 8</p>	<p>13</p>  <p>M6 x 8</p>	<p>14</p>  <p>M6 x 1</p>
---	--	---	---	---

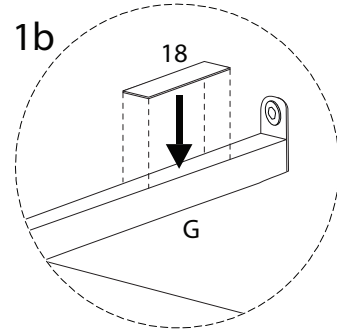
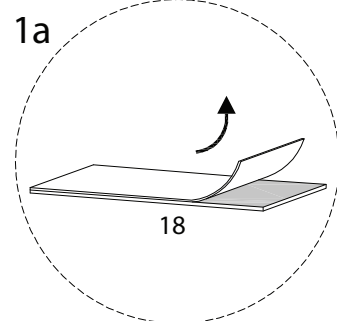
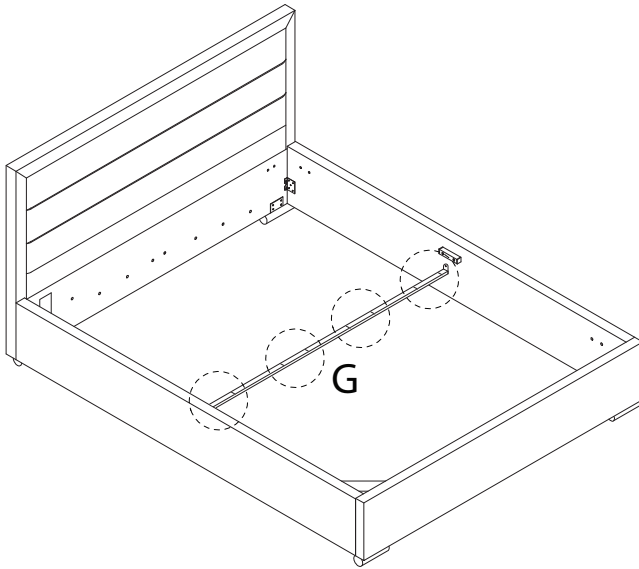
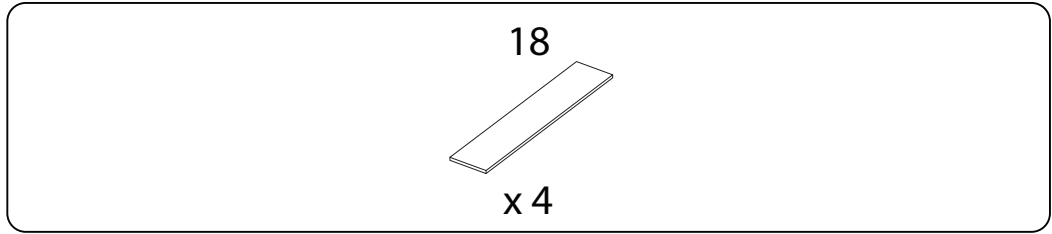


6

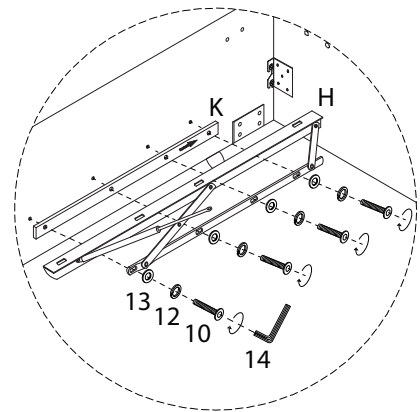
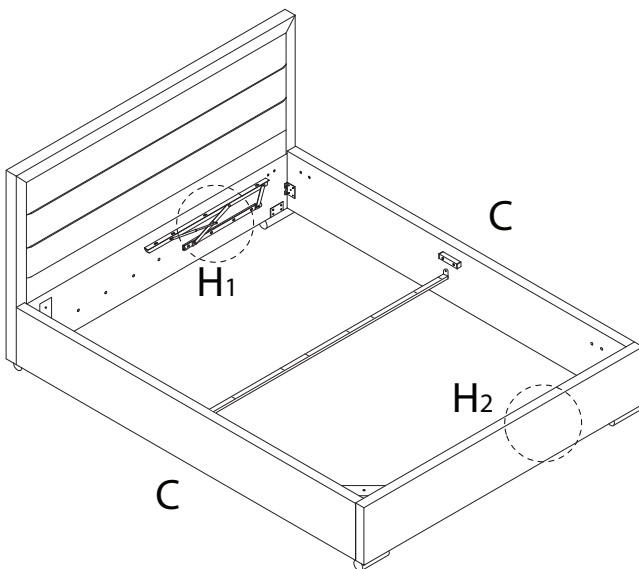
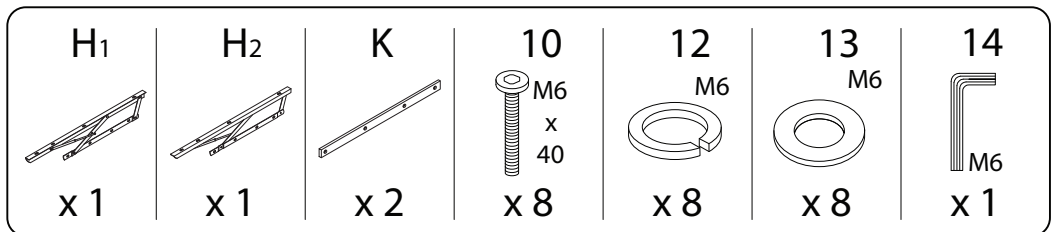
<p>17</p>  <p>x 2</p>
--



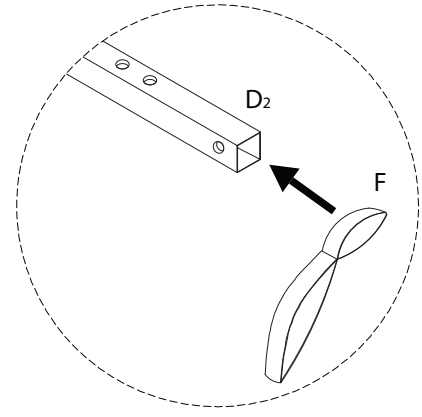
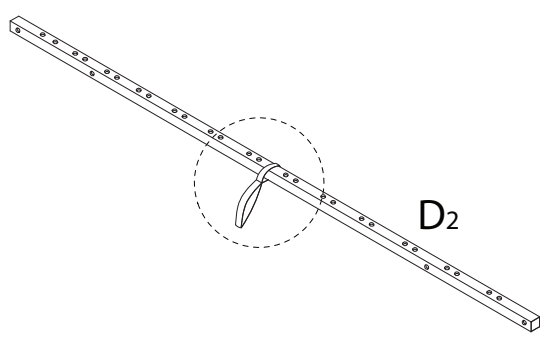
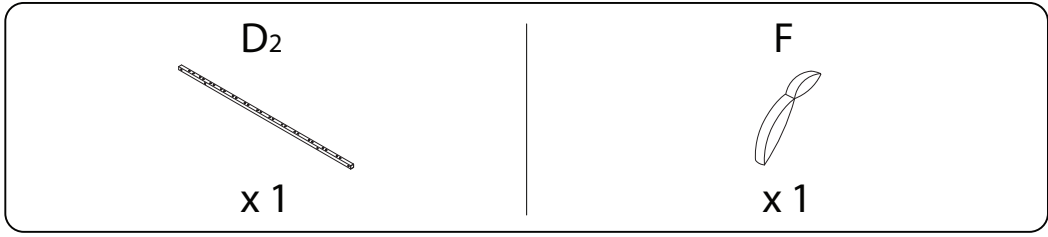
7



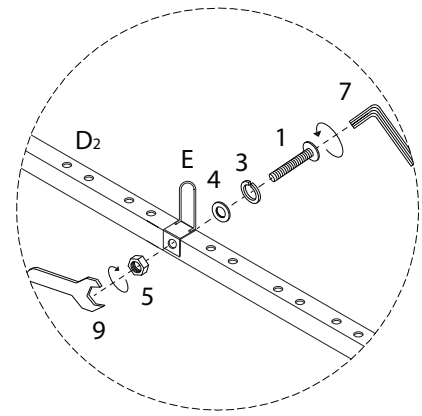
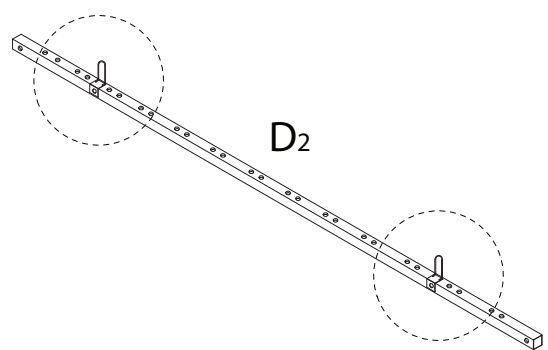
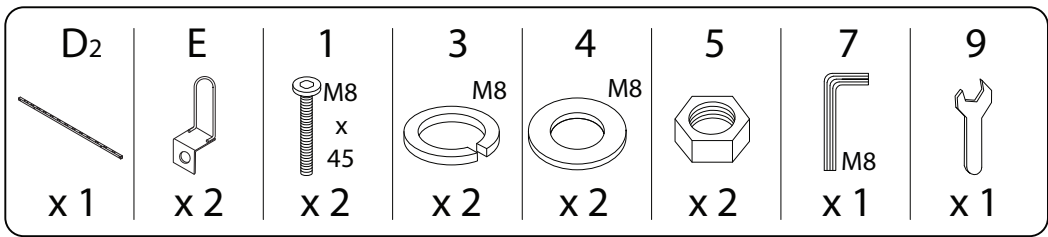
8



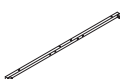



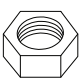
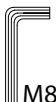

9

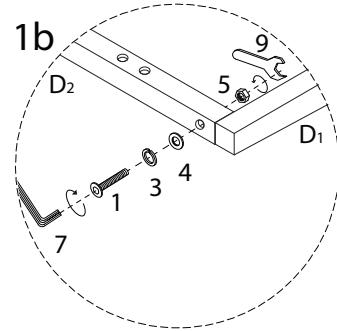
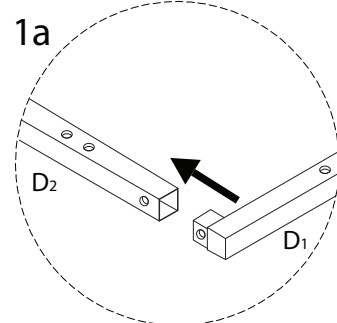
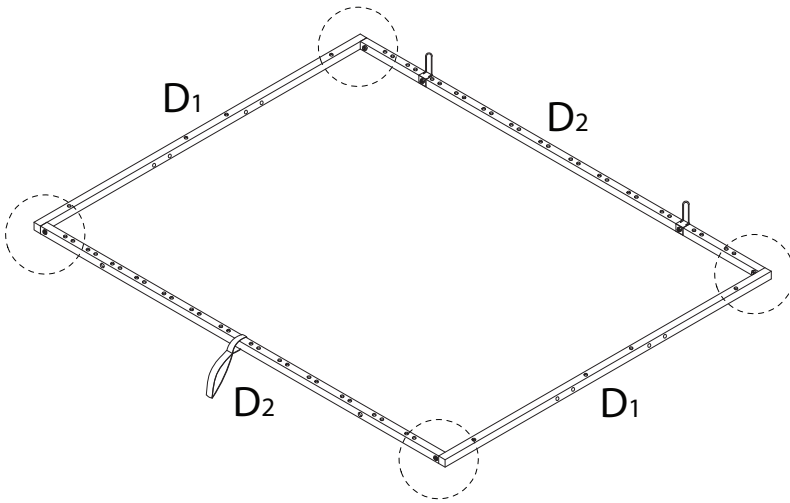


10



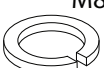

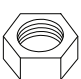
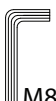



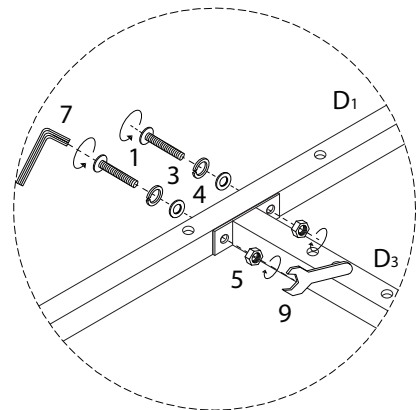
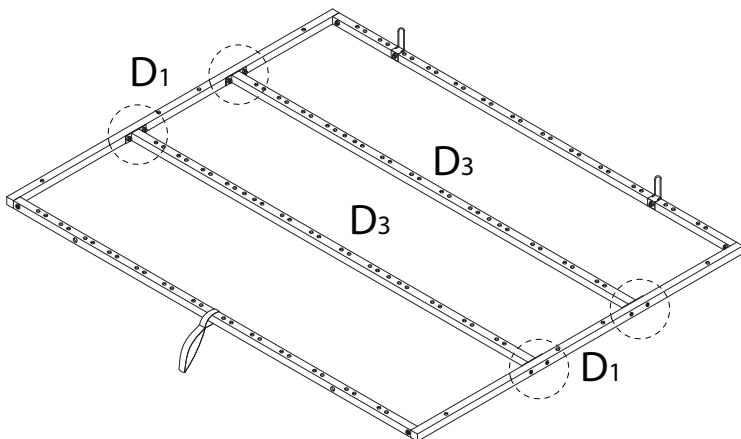
# 11

D1	1	3	4	5	7	9
						
x 2	x 4	x 4	x 4	x 4	x 1	x 1



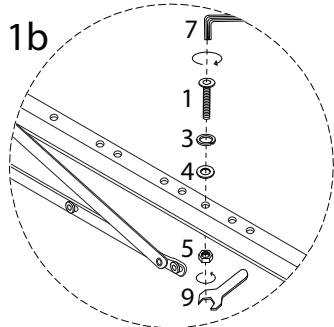
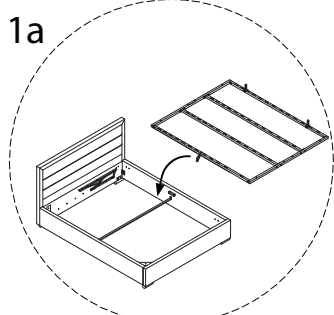
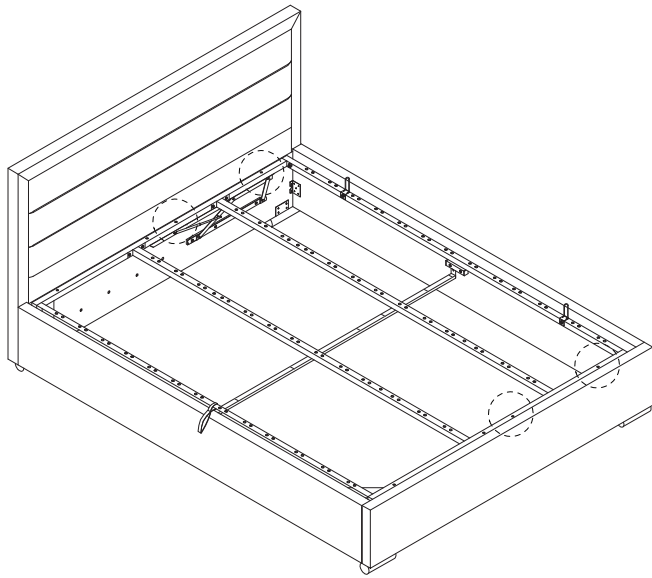
# 12

D3	1	3	4	5	7	9
						
x 1	x 4	x 4	x 4	x 4	x 1	x 1



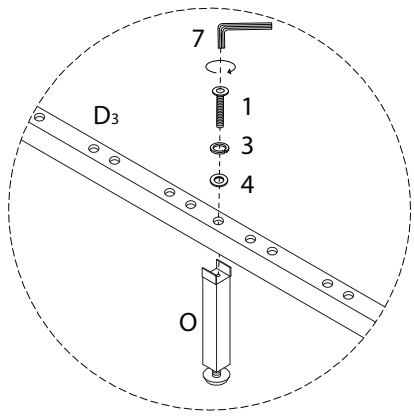
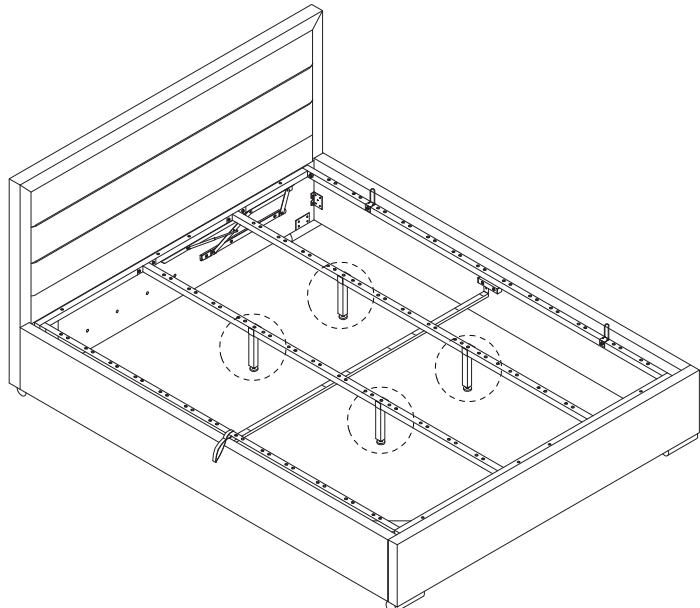
13

1 M8 x 45 x 4	3 M8 x 4	4 M8 x 4	5 x 4	7 M8 x 1	9 x 1
------------------------	----------------	----------------	----------	----------------	----------

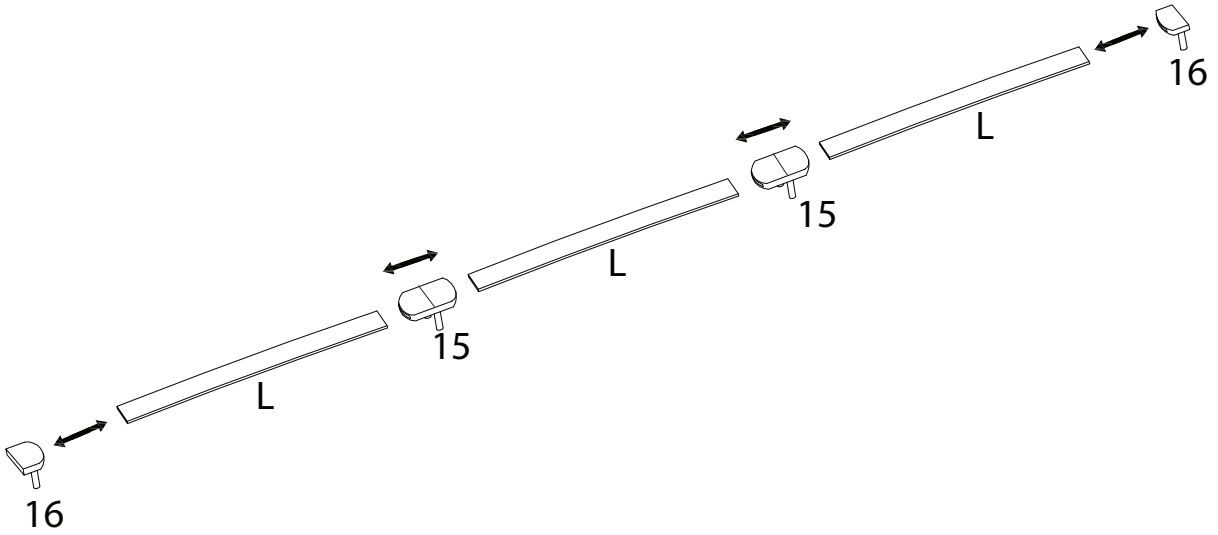
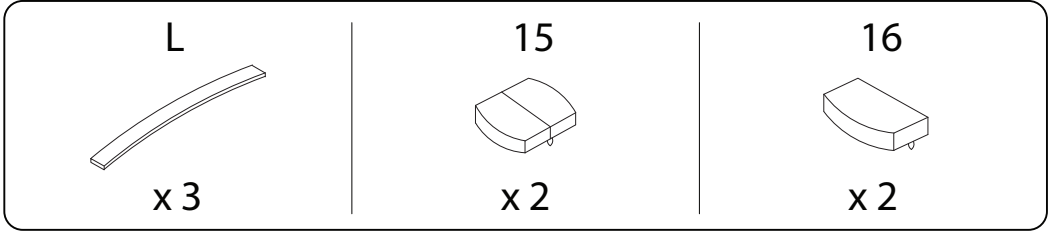


14

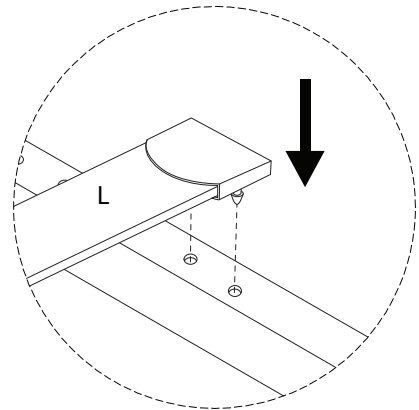
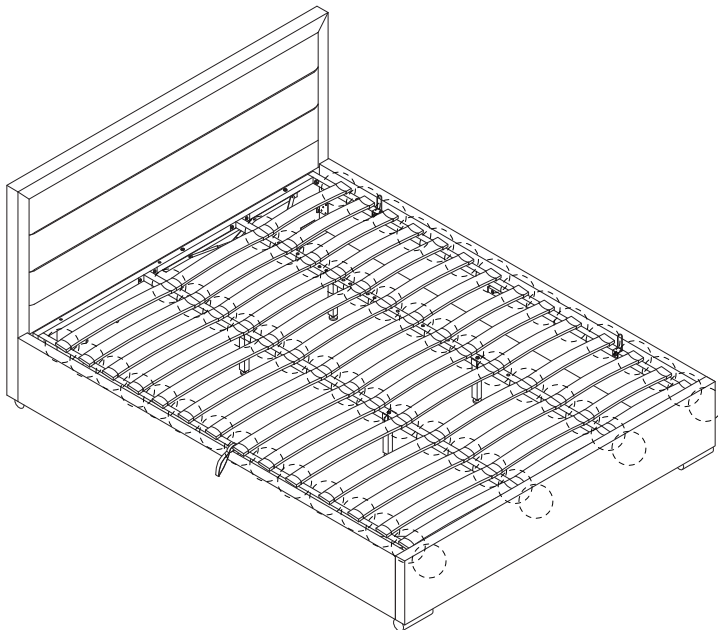
O x 4	1 M8 x 45 x 4	3 M8 x 4	4 M8 x 4	7 M8 x 1
----------	------------------------	----------------	----------------	----------------



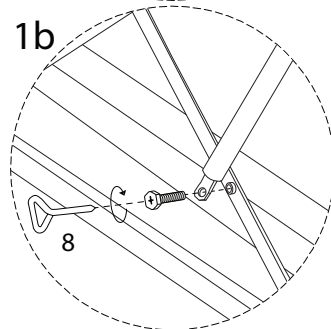
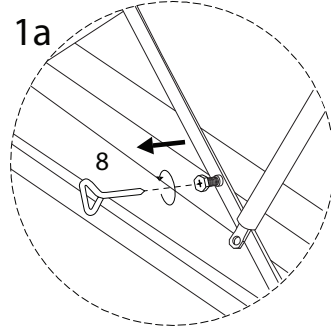
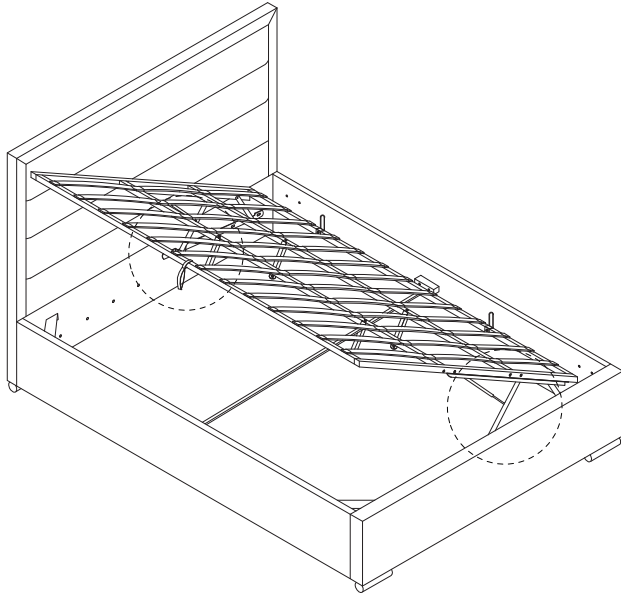
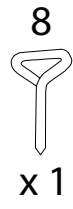
15 x 15



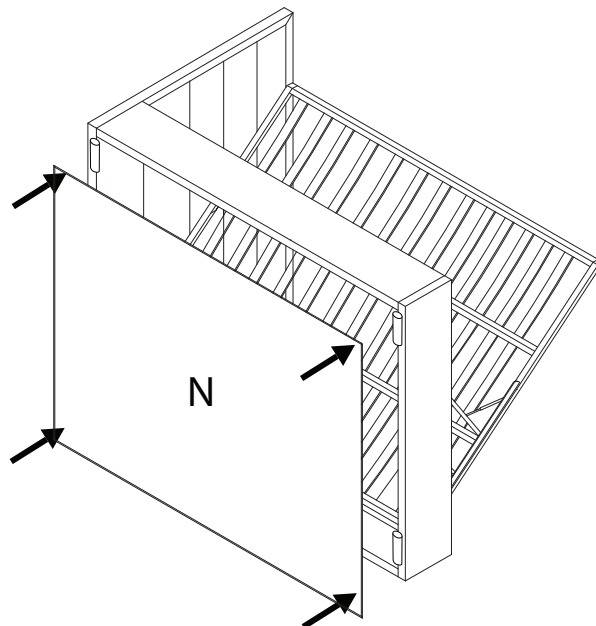
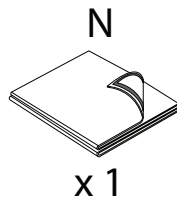
16



17



18



!

