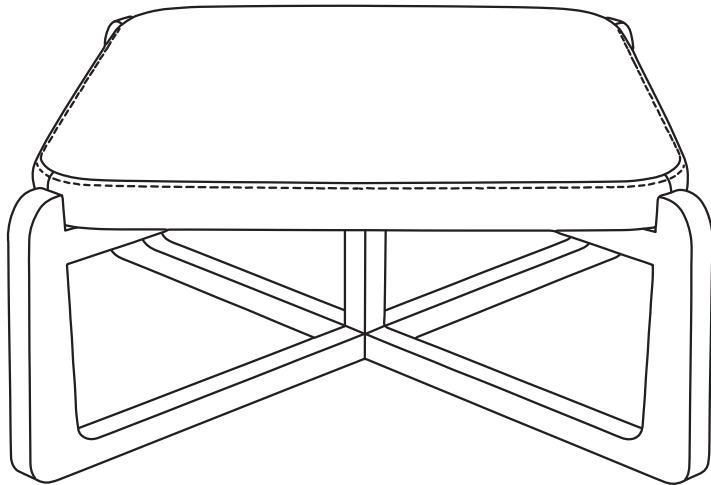


OTTOMAN

Complete drawing display



Safety And Care Advice

Important - Please read these instructions carefully before installing

Thank you for choosing our product.

Assemble and operate this product with care. Please read this instruction before beginning the installation, and carefully follow all instructions contained herein.

Use proper safety equipment during installation. Choose a clean, level, spacious assembly area. Avoid hard surfaces that may damage the product.

Take care when lifting. Ensure that you have all required contents for complete assembly.

Please keep the instruction manual properly

For inquiries, technical support, or warranty claims, please contact our customer services team. We hope this manual provides you with all the necessary information to use and maintain your product effectively. Happy life!

Warnings :

Children are not allowed to assemble the product. During assembly, keep all small parts out of the reach of children as they may be fatal if swallowed or inhaled.

Do not place in front of a fire or other heat source.



After-sales service



Fast installation



Teamwork Recommended

Maintenance and Cleaning Methods

Regular Wiping: Use a soft, damp cloth to wipe down the leather sofa regularly to remove dust and spills. This helps prevent dirt buildup and maintains the sofa's appearance.

Avoid Harsh Chemicals: Refrain from using harsh chemicals or abrasive cleaners on leather, as they can damage the material's finish. Stick to mild soap and water for cleaning, and always test any new cleaner on a small, inconspicuous area first.

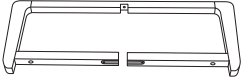
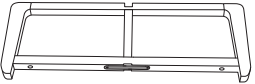

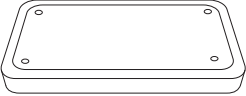




Protect from Sunlight: Position the leather sofa away from direct sunlight and heat sources to prevent fading and drying out of the material. Consider using curtains or blinds to shield the sofa from intense sunlight during peak hours.

Handle with Care: Be gentle when using the sofa, avoiding sharp objects or rough surfaces that could scratch or puncture the leather. Encourage family members and guests to be mindful of their actions to prevent accidental damage.

Conditioning (Optional): While leather doesn't require conditioning like genuine leather, you may choose to use a specialized leather conditioner occasionally to maintain its suppleness and prevent cracking. Follow the product instructions carefully and apply sparingly.

OTTOMAN

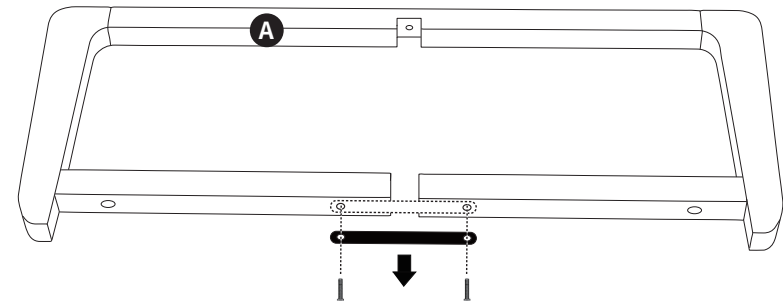
The parts list is shown below

	Wooden frame	Ax1
	Wooden frame	Bx1
	Cross-shaped iron plates	Cx1
	Seat panel	Dx1
	Allen wrench	Ex1
	Screw (M6*18mm)	Fx4
	Screw (M6*45mm)	Gx4
	Screw (M6*25mm)	Hx1

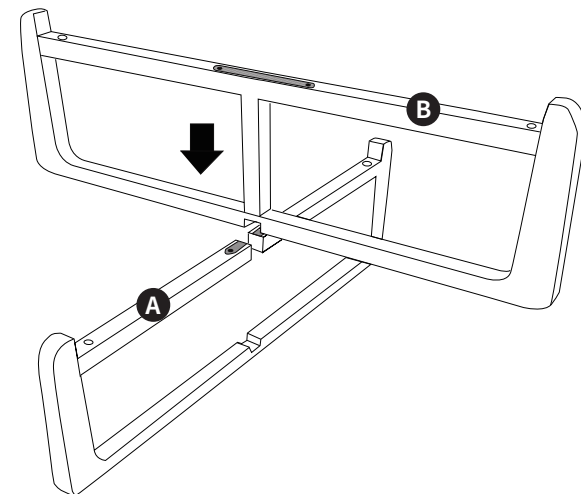
OTTOMAN

Specific operations are shown in the following figure

Step 1: Remove the fixed iron pieces from the wooden frame.



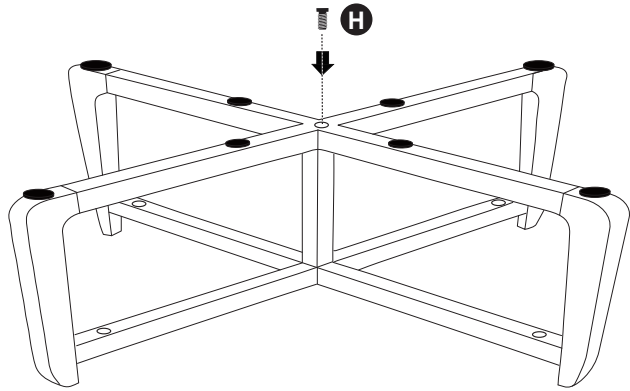
Step 2: Combine the two wooden frames in the direction shown in the diagram.



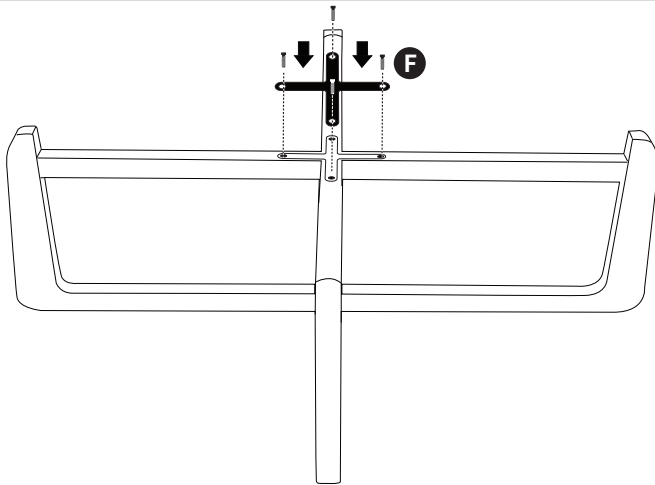
OTTOMAN

Specific operations are shown in the following figure

Step 3: Fix the wooden frame with a screw H.



Step 4: Use cross-shaped iron plates to secure the two wooden frames together.

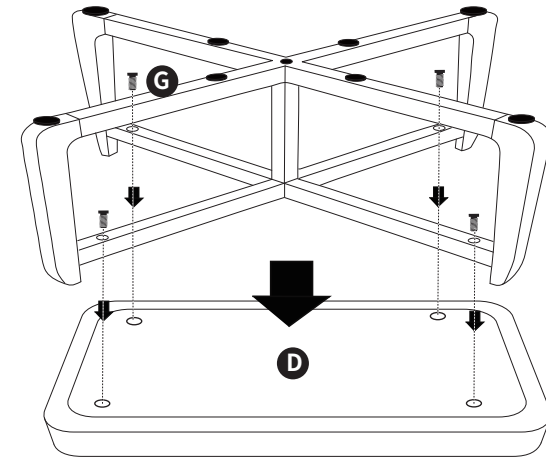


5

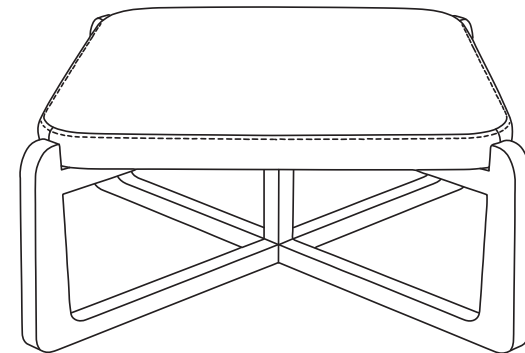
OTTOMAN

Specific operations are shown in the following figure

Step 5: Fix the assembled wooden frame to the seat panel.



Specific operations are shown in the following figure



6