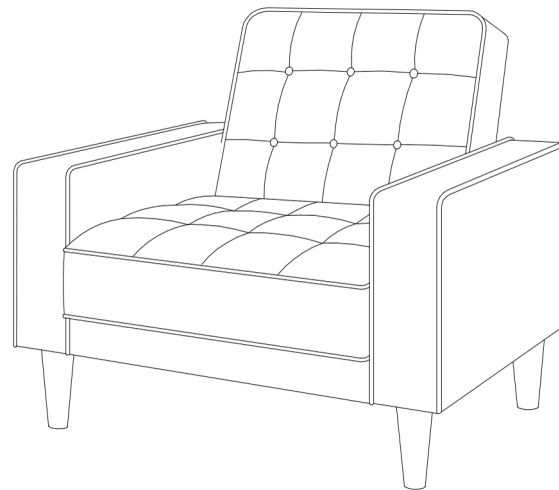


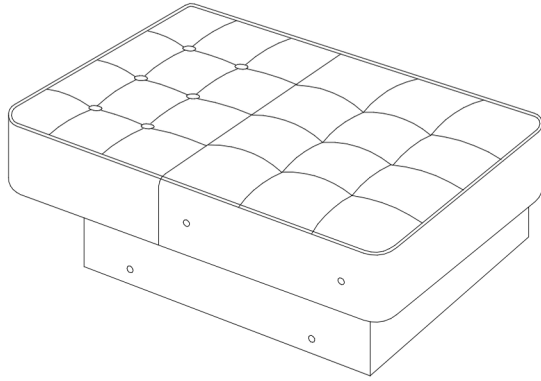
At tent ion:
Two people are required for assembly and lifting unit.

ASSEMBLY INSTRUCTION



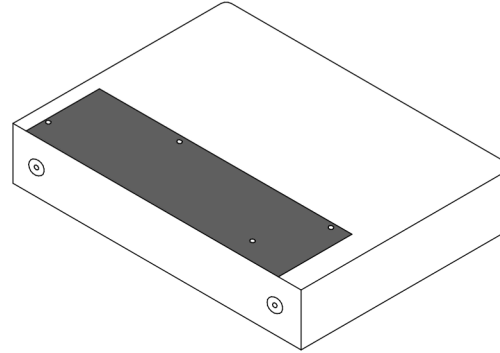
ASSEMBLY PART & HARDWARE LIST

1.



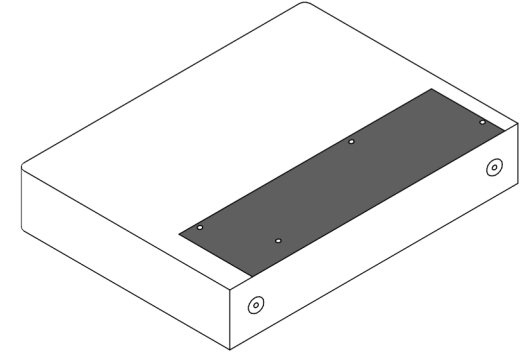
SEAT PANEL & SEAT CUSHION (1PC)

2.



LEFT ARM (L) (1PC)

3.

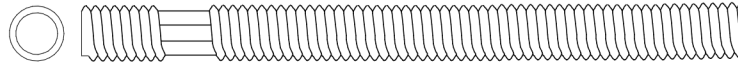


RIGHT ARM (R) (1PC)

4.



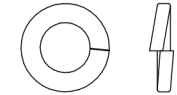
LEG (4PCS)



A

8PCS

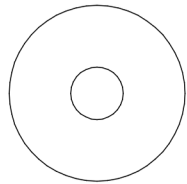
5/16 x 80mm



B

8PCS

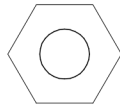
Spring Washer 5/16



C

8PCS

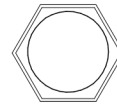
Flat Washer 5/ 16 x 22mm



D

8PCS

5/16 x 12mm

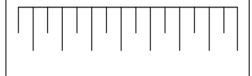


E

1PC

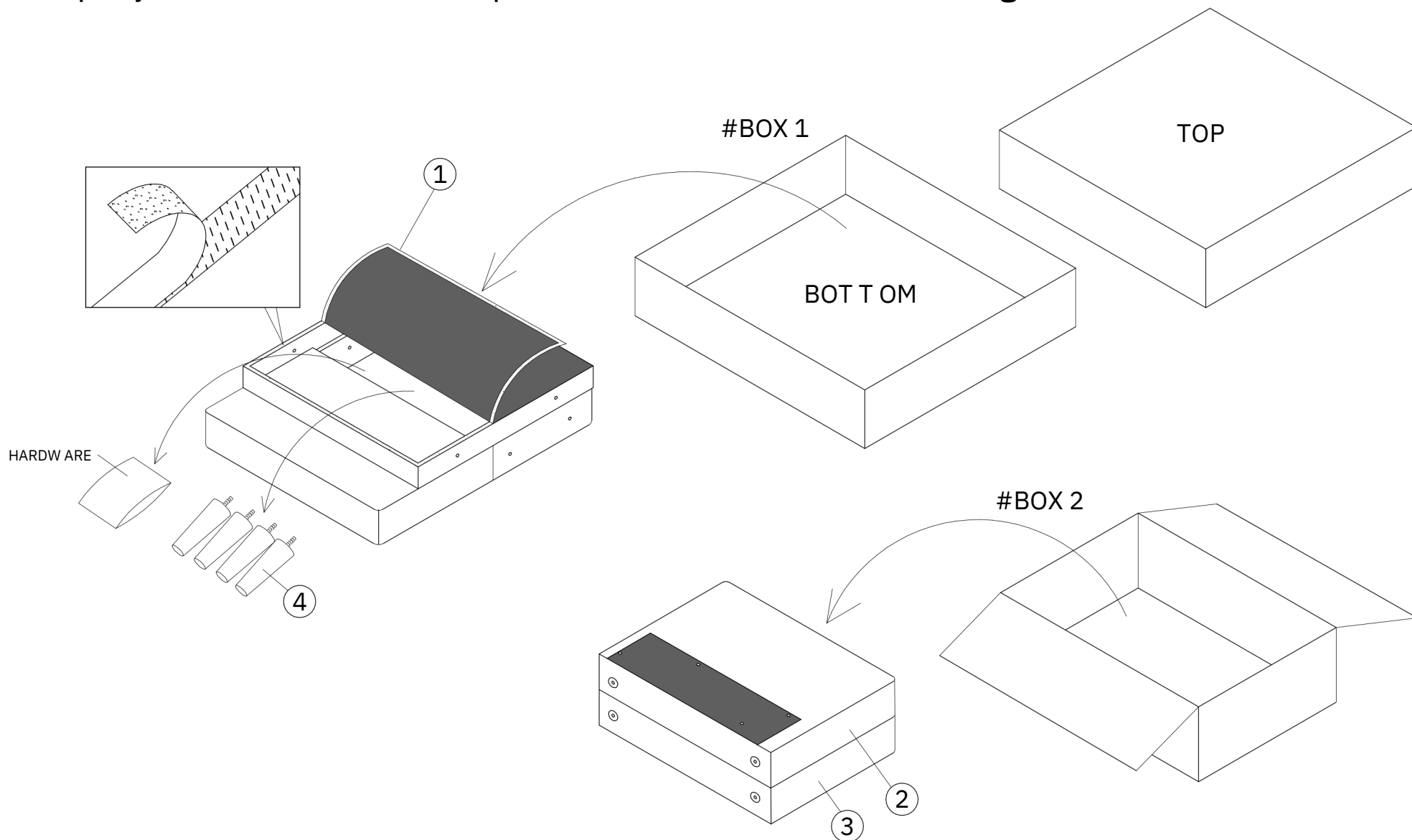
T Spanner

1 : 1



ASSEMBLY INSTRUCTION

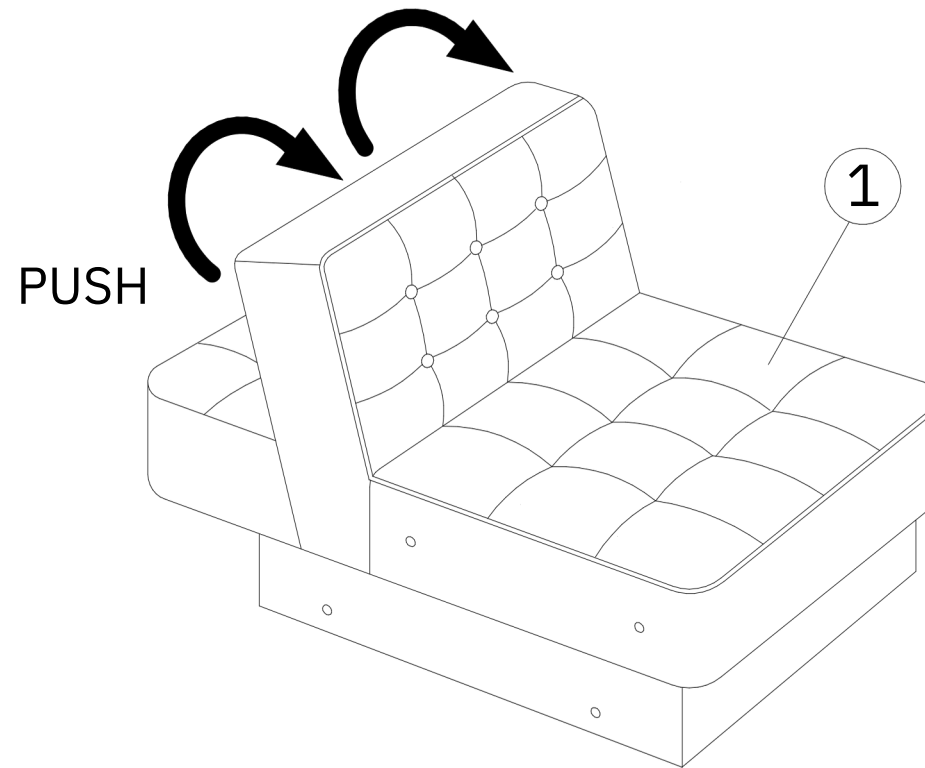
STEP 1.
For this step lay the unit on its back. Open the cover cloth remove the legs and hardware.



ASSEMBLY INSTRUCTION

STEP 2.

Push back upward.

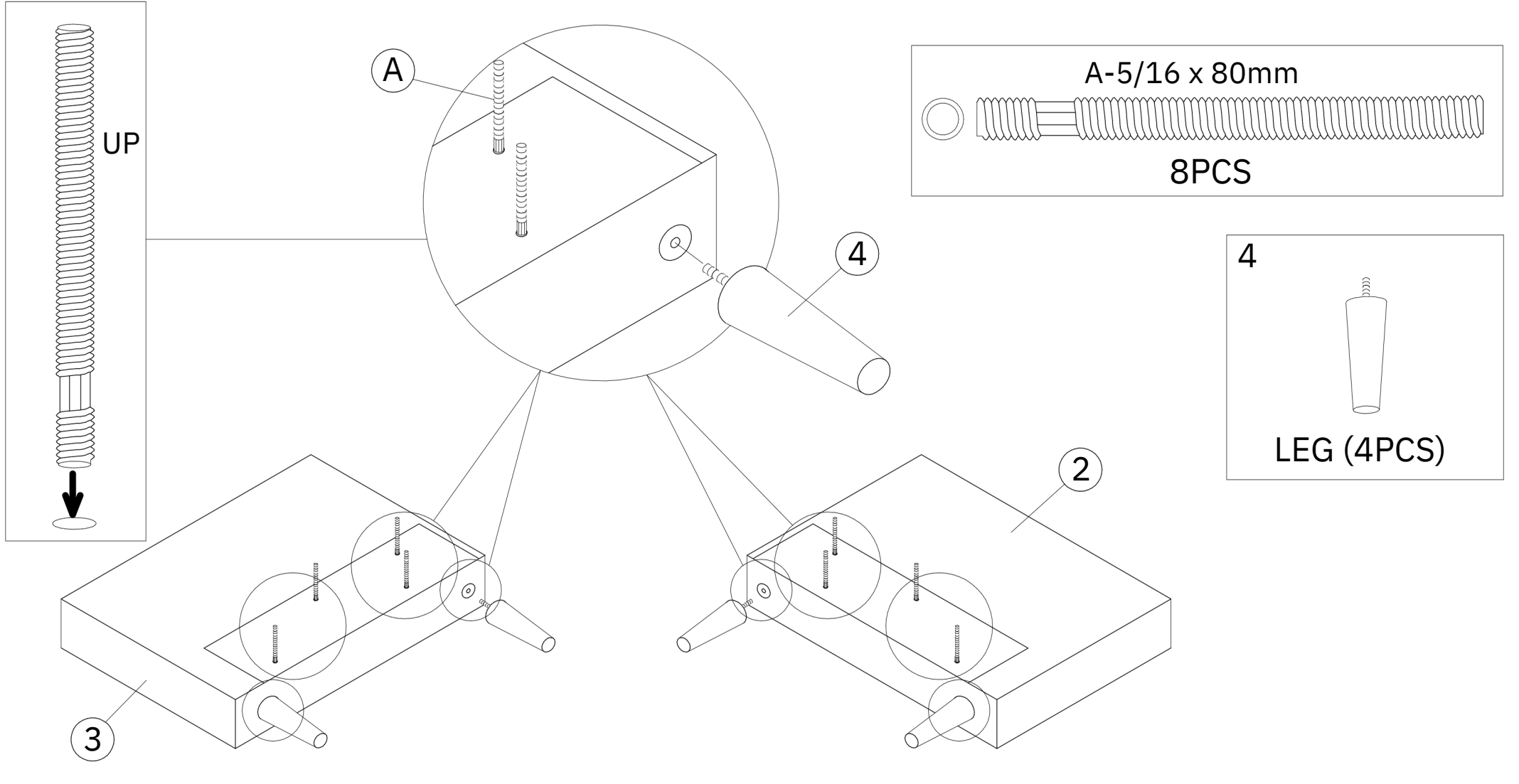


ASSEMBLY INSTRUCTION

STEP 3.

Attach 5/16 x 80mm (A) (8pcs) to the Left Arm (L) (2) and Right Arm (R) (3).

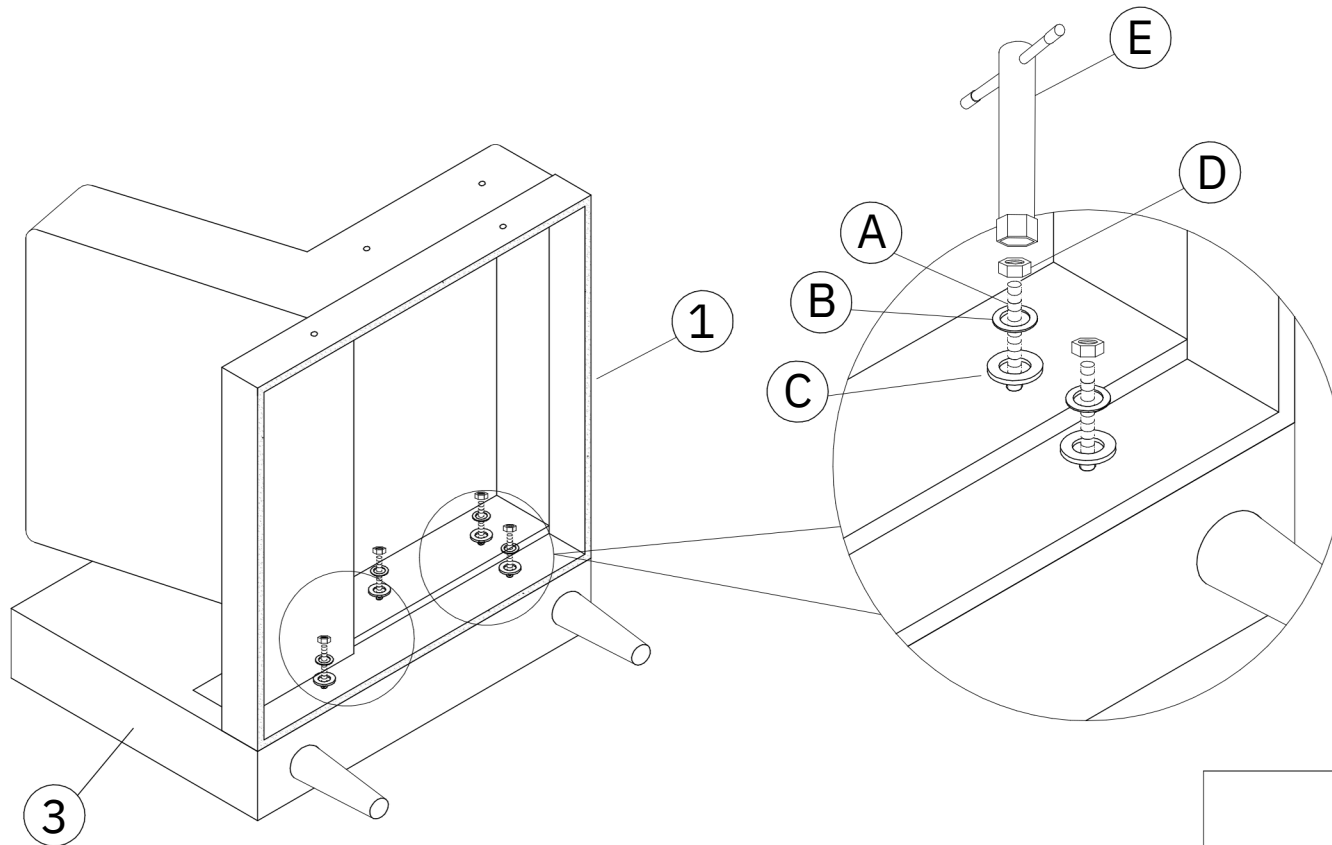
Attach Legs (4) (4pcs) to the Left Arm (L) (2) and Right Arm (R) (3). Legs should be tightened.



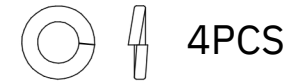
ASSEMBLY INSTRUCTION

STEP 4.

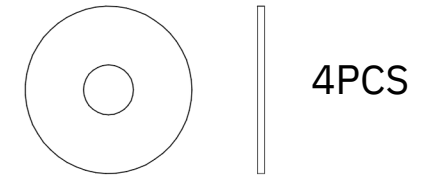
Attach the Left Arm (R) (3) to Seat Panel and Seat Cushion (1). Use Spring Washer 5/16 (B) (4pcs), Flat Washer 5/ 16 x 22mm (C) (4pcs), 5/16 x 12mm (D) (4pcs) and T Spanner (E) to fix.



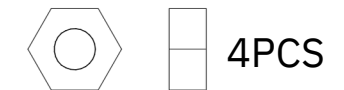
B-Spring Washer 5/16



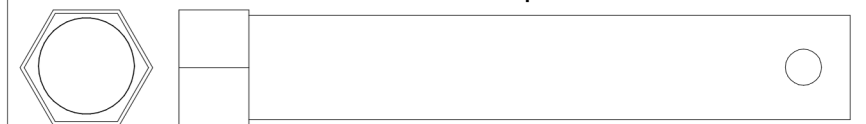
C-Flat Washer 5/ 16 x 22mm



D-5/16 x 12mm



E-T Spanner



1PC

ASSEMBLY INSTRUCTION

STEP 5.

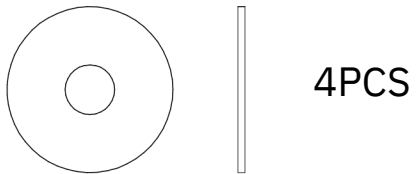
Attach the Left Arm (L) (2) to Seat Panel and Seat Cushion (1). Use Spring Washer 5/16 (B) (4pcs), Flat Washer 5/ 16 x 22mm (C) (4pcs), 5/16 x 12mm (D) (4pcs) and T Spanner (E) to fix.

B-Spring Washer 5/16



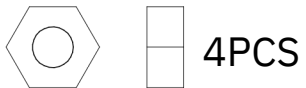
4PCS

C-Flat Washer 5/ 16 x 22mm



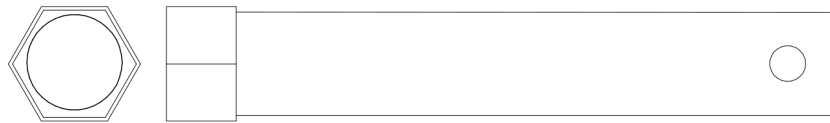
4PCS

D-5/16 x 12mm

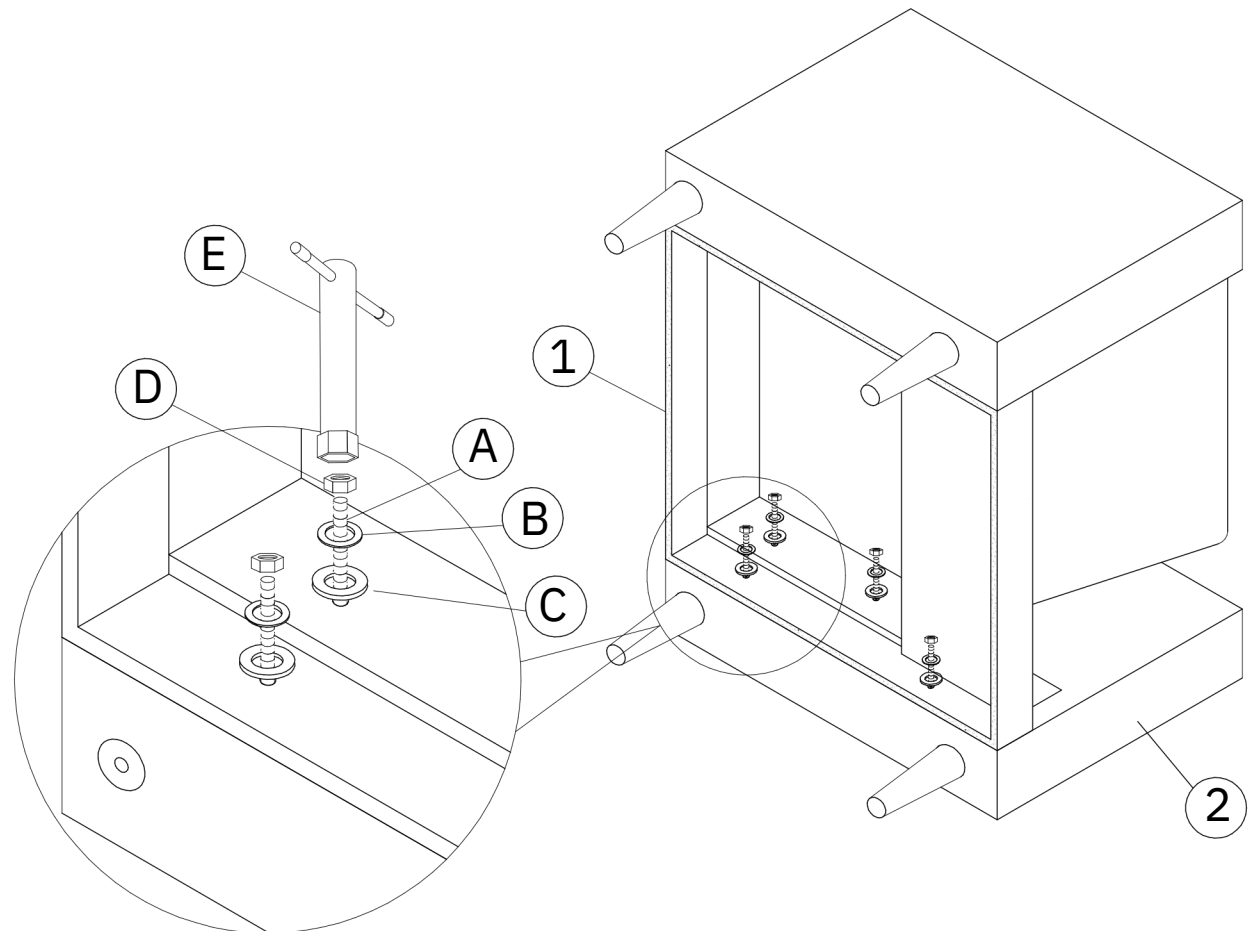


4PCS

E-T Spanner

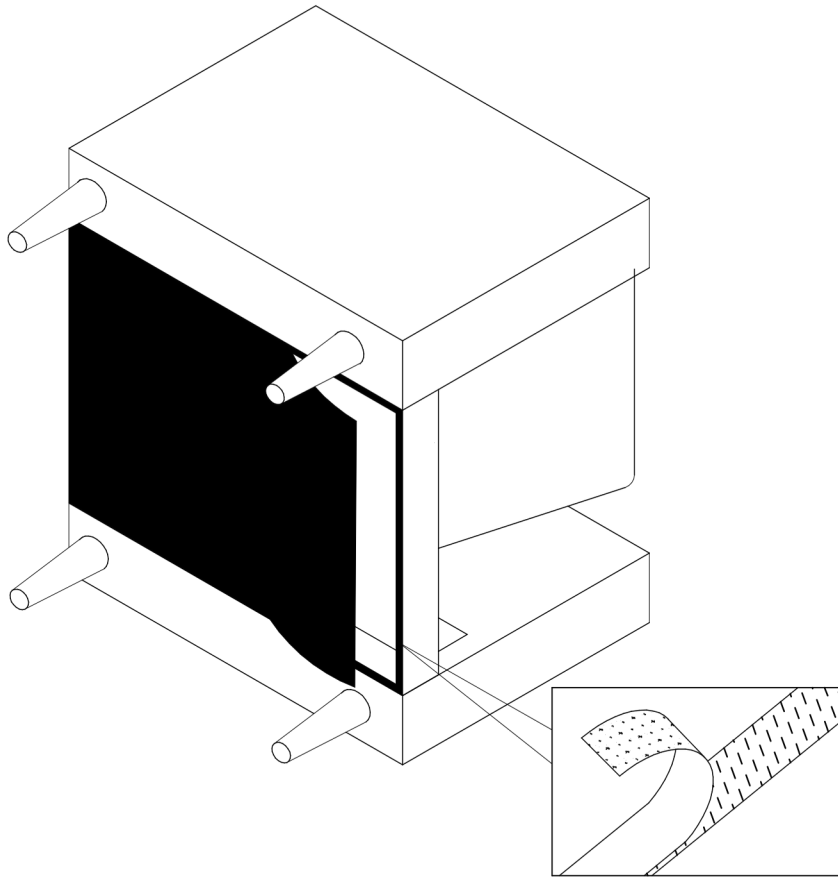


1PC



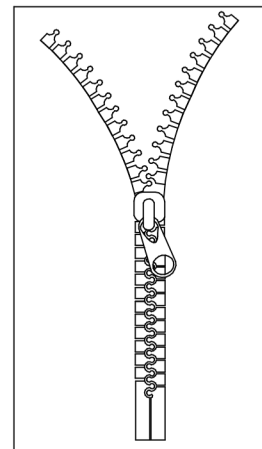
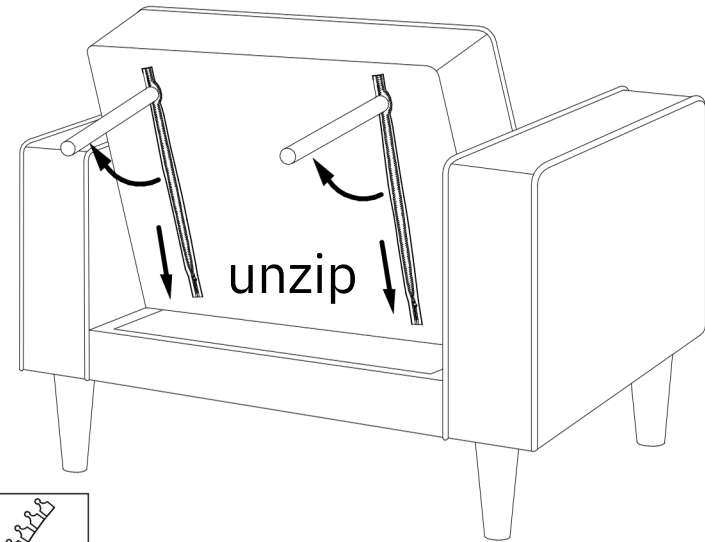
ASSEMBLY INSTRUCTION

STEP 6.



Take a Cover Cloth and closed with velcro.

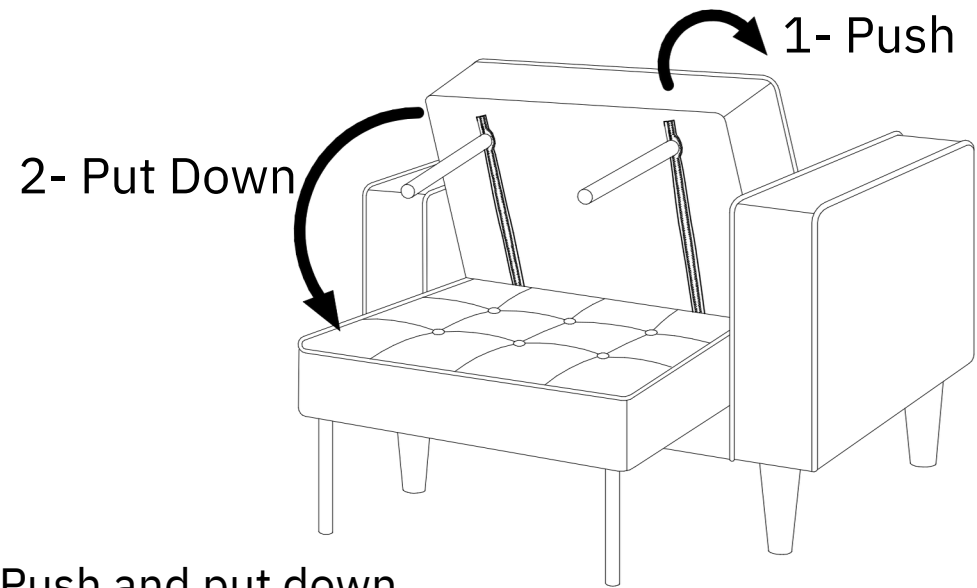
STEP 7.



Open the zip and pull the legs out. Re-zip when leg pulled out.

ASSEMBLY INSTRUCTION

STEP 8.



Push and put down.

